



US00D942343S

(12) **United States Design Patent**  
**Wu**

(10) **Patent No.:** **US D942,343 S**

(45) **Date of Patent:** **\*\* Feb. 1, 2022**

(54) **MOTORCYCLE MUFFLER**  
(71) Applicant: **Xiaodian Wu**, Guangzhou (CN)  
(72) Inventor: **Xiaodian Wu**, Guangzhou (CN)  
(\*\*) Term: **15 Years**  
(21) Appl. No.: **29/783,434**

(22) Filed: **May 13, 2021**  
(51) **LOC (13) Cl.** ..... **12-16**  
(52) **U.S. Cl.**  
USPC ..... **D12/194**  
(58) **Field of Classification Search**  
USPC ..... D12/194; D15/5  
CPC .. F01N 13/082; F01N 13/001; F01N 2260/20;  
F01N 2260/00  
See application file for complete search history.

(56) **References Cited**

**U.S. PATENT DOCUMENTS**

D420,316 S	2/2000	Hanlon	
D460,726 S	7/2002	Campbell	
D495,640 S	9/2004	James	
D495,642 S	9/2004	Luttig	
D573,520 S	7/2008	Kouchi	
D598,354 S	8/2009	Nakazawa	
D624,473 S	9/2010	Nishihara	
D767,456 S	9/2016	Finnie	
D802,507 S	11/2017	Ochoa	
D837,119 S *	1/2019	Akrapovic	D12/194
D840,887 S *	2/2019	Akrapovic	D12/194
D854,476 S *	7/2019	Akrapovic	D12/194

D875,009 S *	2/2020	Akrapovic	D12/194
D910,521 S *	2/2021	Akrapovic	D12/194
D911,235 S *	2/2021	Akrapovic	D12/194
D911,898 S *	3/2021	Akrapovič	D12/194
D913,886 S	3/2021	Dean	
D915,260 S *	4/2021	Akrapovič	F01N 1/003 D12/194
D920,201 S *	5/2021	Akrapovic	D12/194
D922,922 S *	6/2021	Akrapovič	D12/194
D922,923 S *	6/2021	Akrapovic	D12/194

\* cited by examiner

*Primary Examiner* — Michael A. Pratt  
(74) *Attorney, Agent, or Firm* — Rumit Ranjit Kanakia

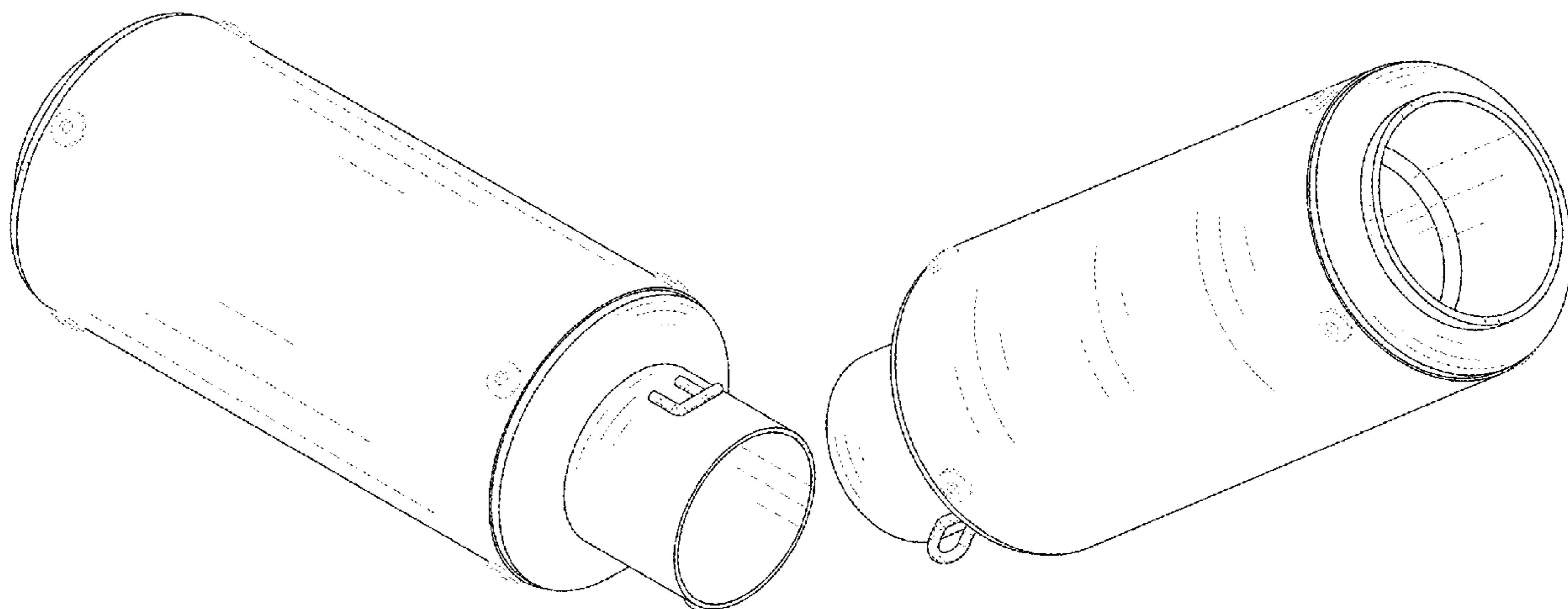
(57) **CLAIM**

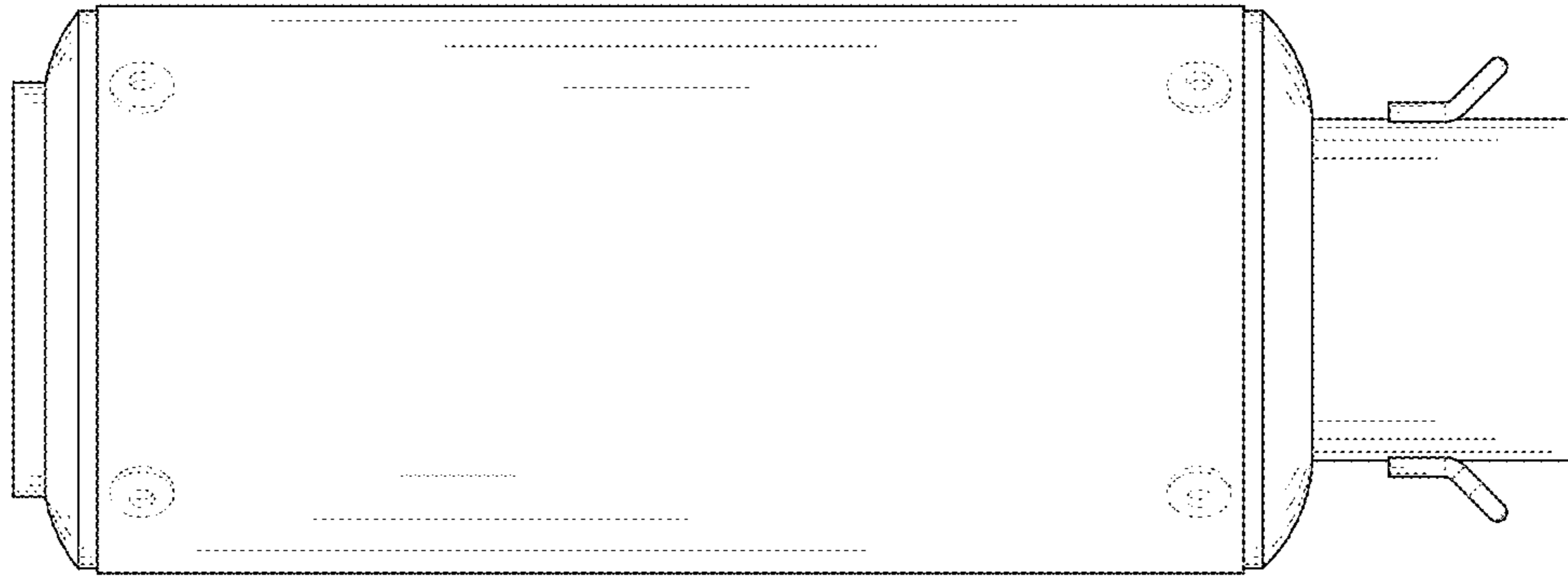
The ornamental design for a motorcycle muffler, as shown and described.

**DESCRIPTION**

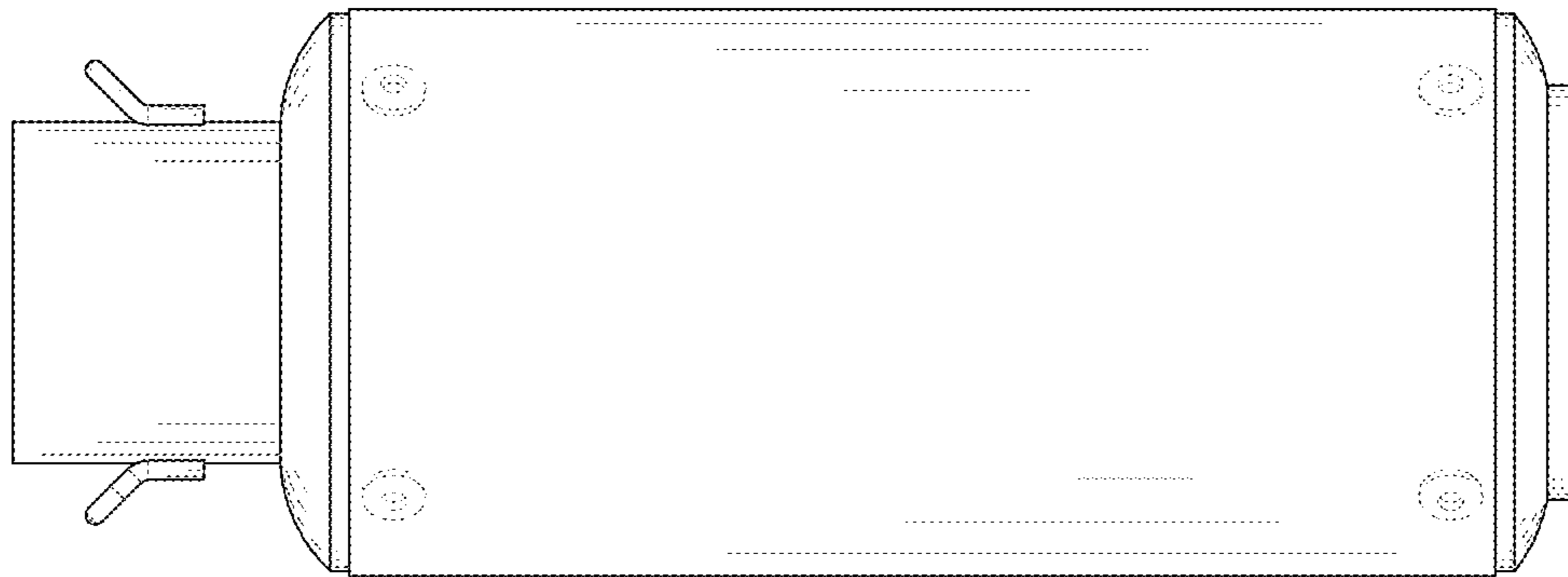
FIG. 1 is a front elevational view of a motorcycle muffler showing my new design;  
FIG. 2 is a rear elevational view thereof; and  
FIG. 3 is a left side view thereof;  
FIG. 4 is a right side view thereof;  
FIG. 5 is a top plan view thereof;  
FIG. 6 is a bottom plan view thereof;  
FIG. 7 is a perspective view of a motorcycle muffler showing my new design; and,  
FIG. 8 is another perspective view thereof.  
The broken lines in the figures are for the purposes of illustrating portions of the motorcycle muffler, which form no part of the claimed design.

**1 Claim, 8 Drawing Sheets**

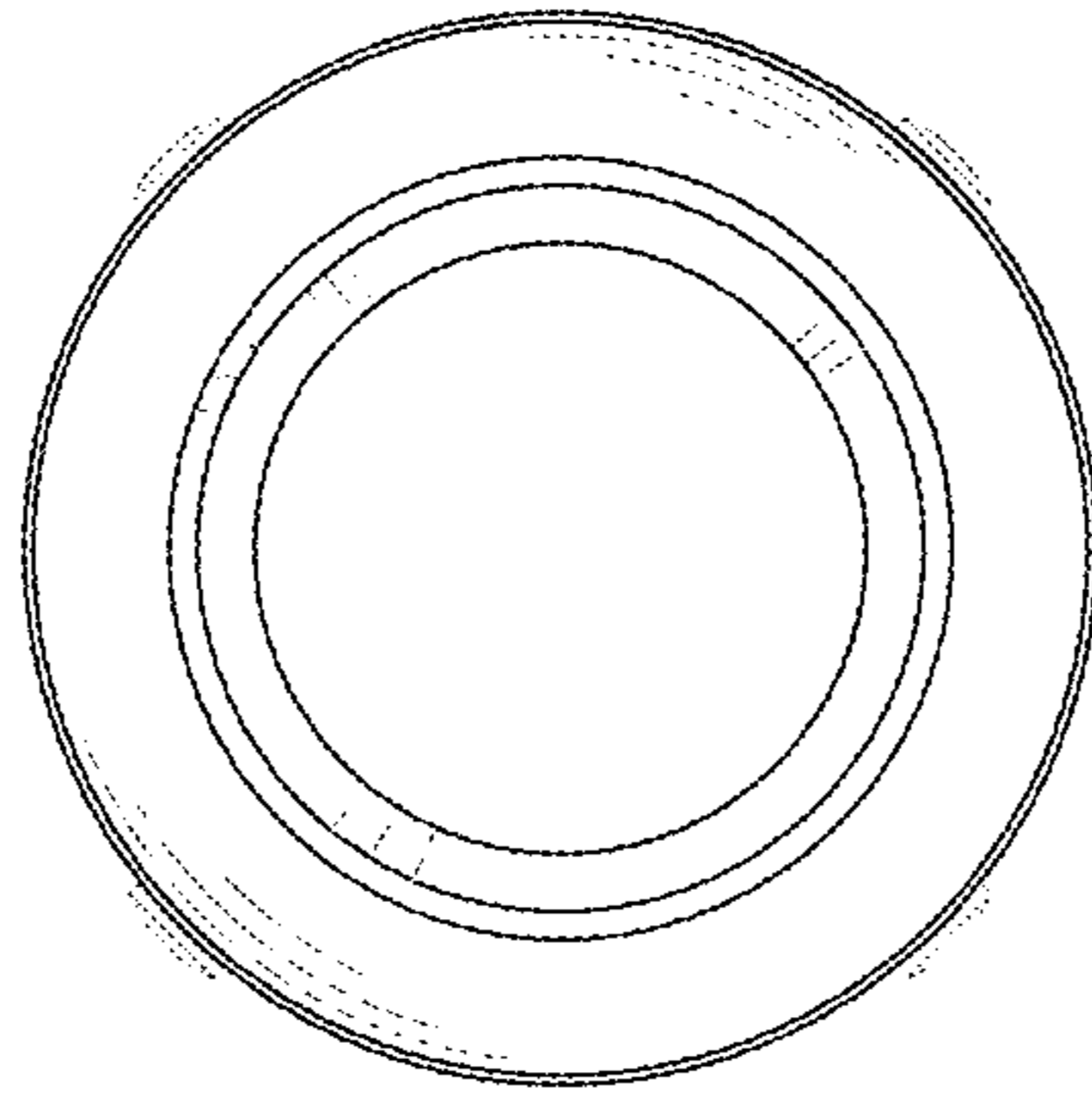




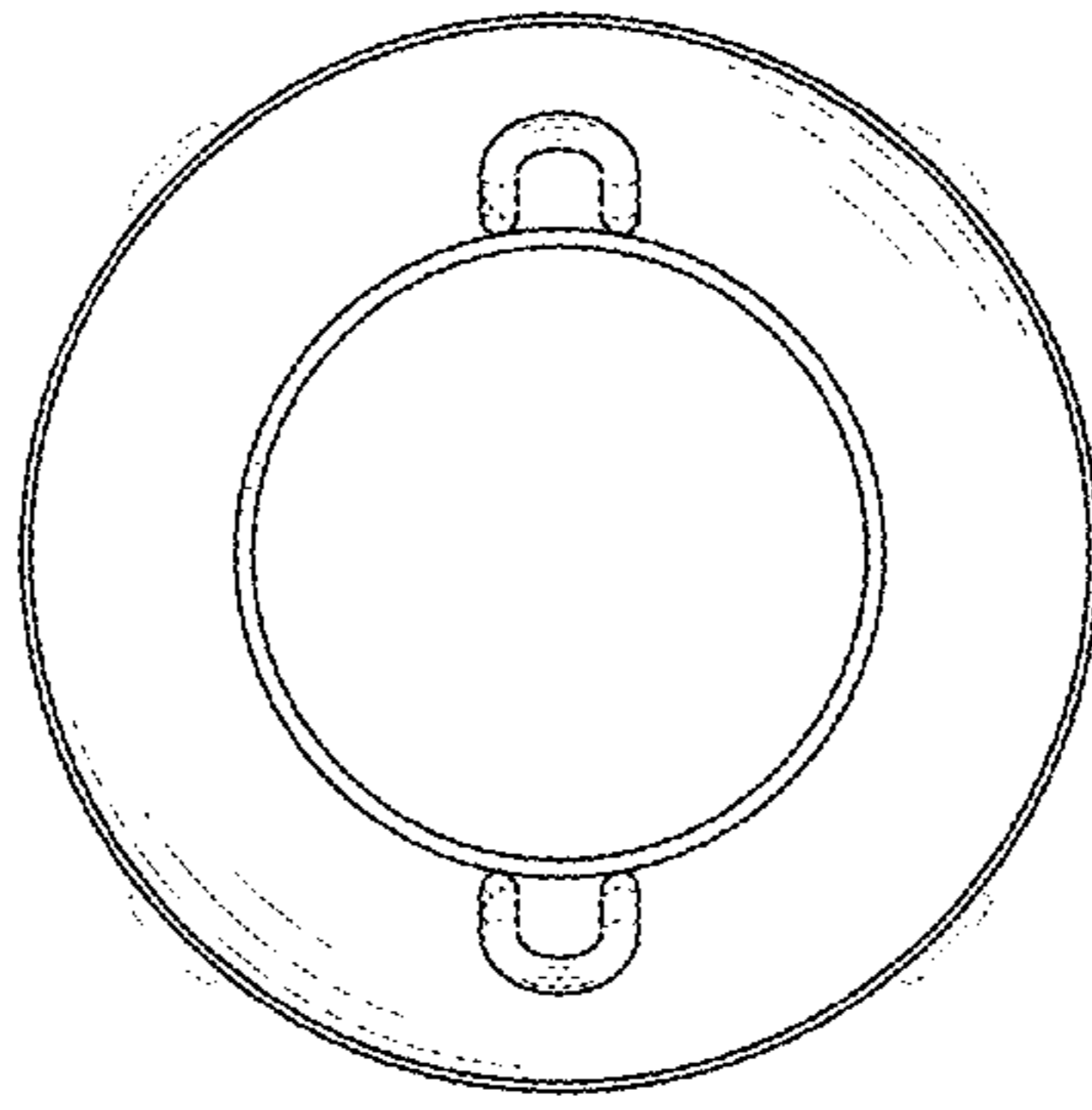
**FIG. 1**



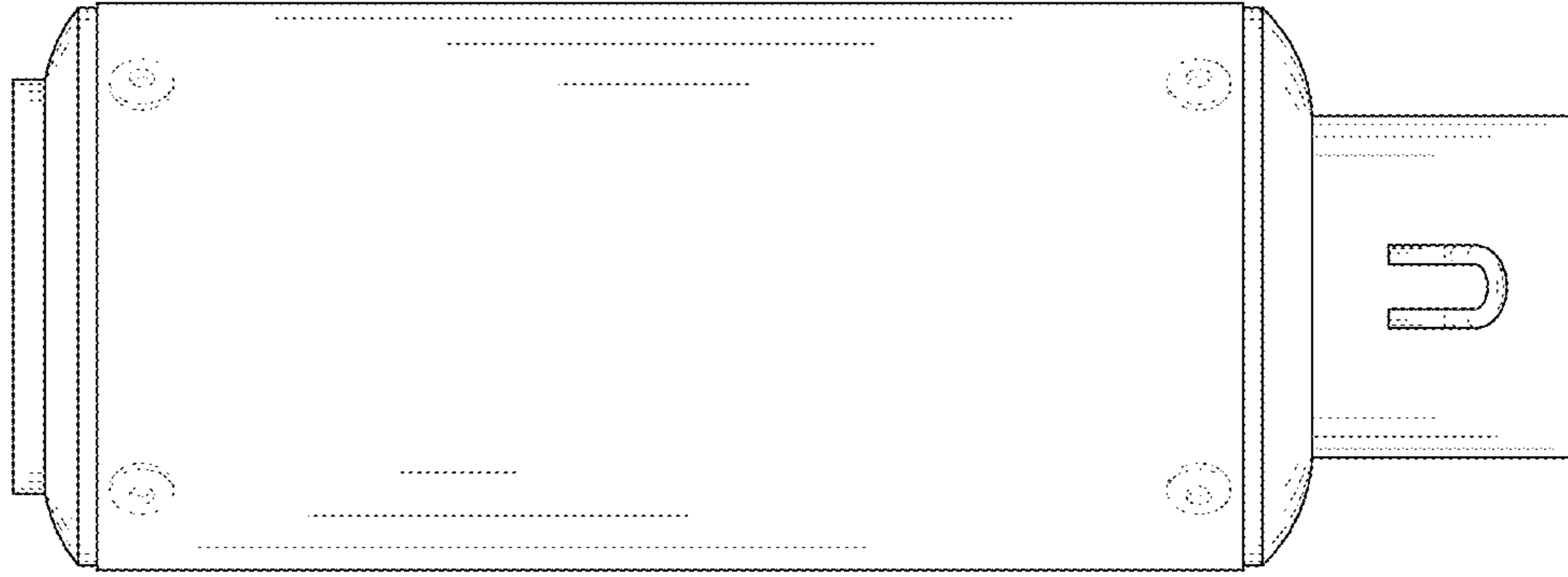
***FIG.2***



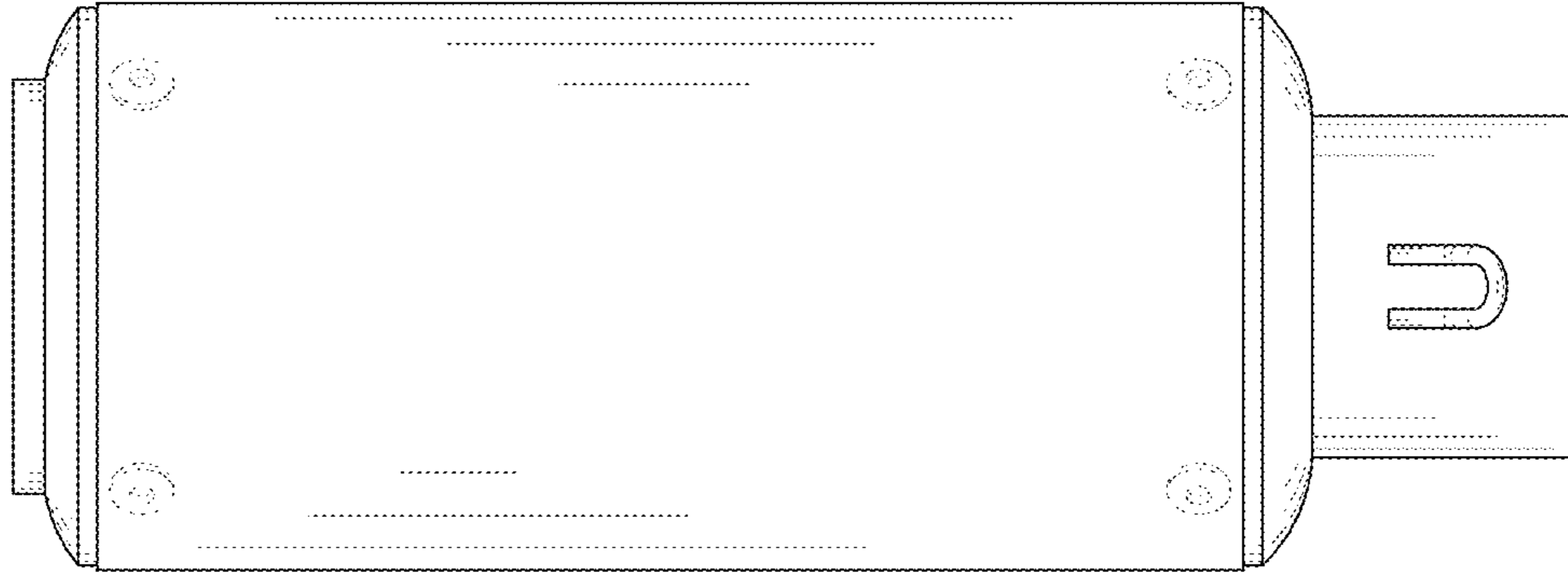
***FIG. 3***



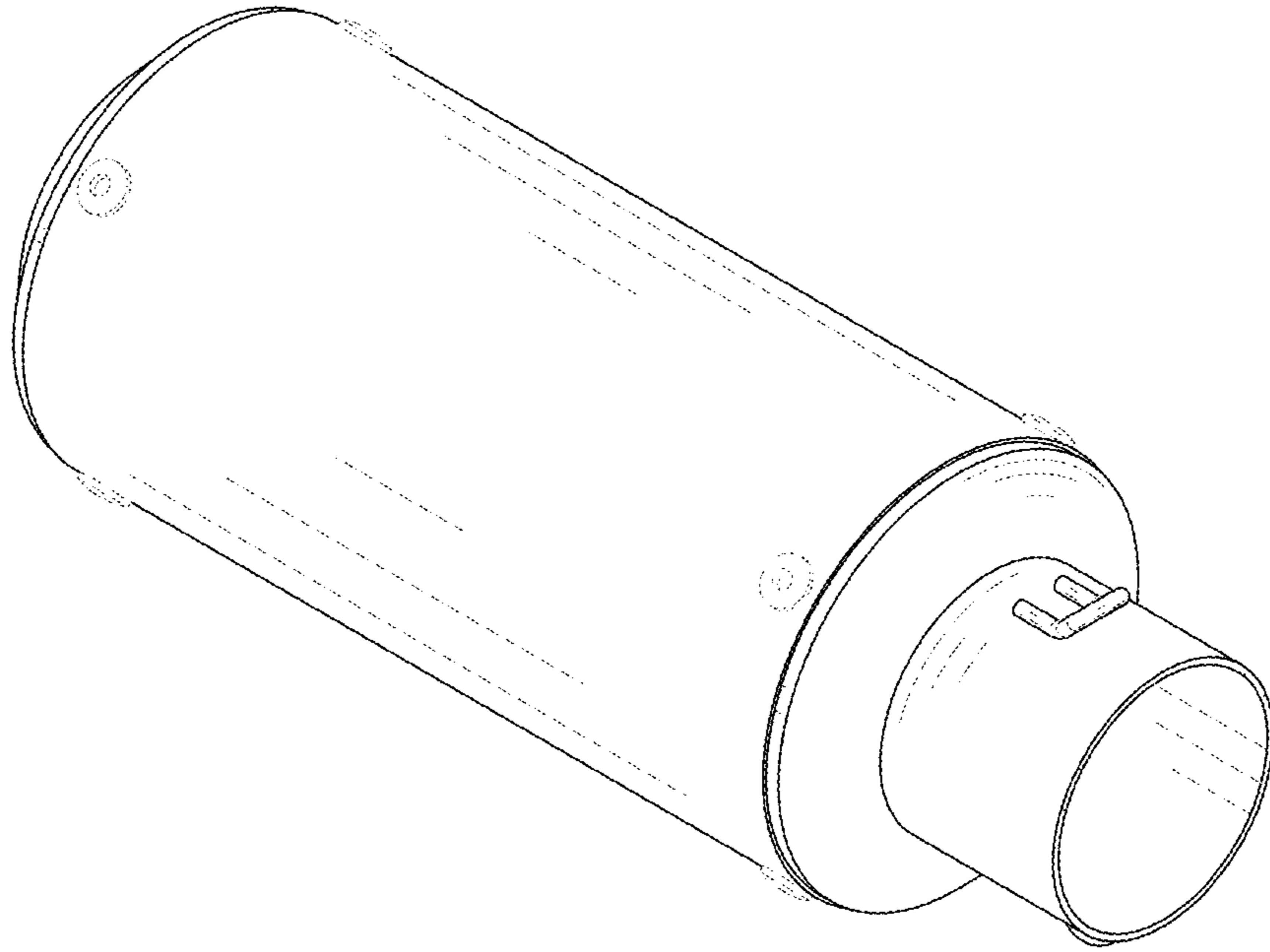
***FIG.4***



**FIG. 5**

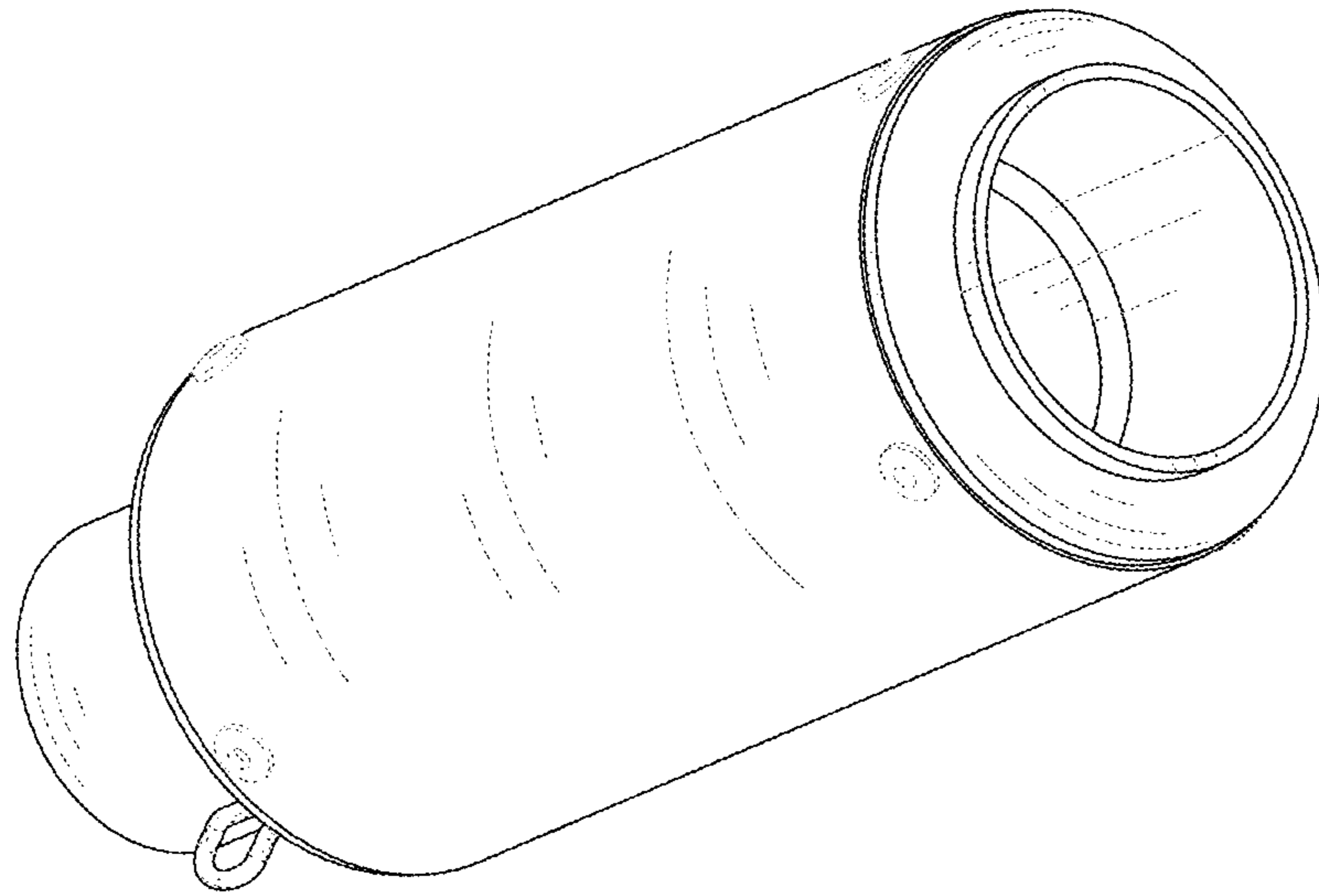


**FIG. 6**



**FIG. 7**





***FIG. 8***