



US00D942341S

(12) **United States Design Patent** (10) **Patent No.:** **US D942,341 S**
Wu (45) **Date of Patent:** **** Feb. 1, 2022**

(54) **CABIN FOR AUTOMOBILE**
(71) Applicant: **Tianjin ICONIQ New Energy Vehicle Co., Ltd., Tianjin (CN)**
(72) Inventor: **Nan Wu, Tianjin (CN)**
(73) Assignee: **TIANJIN ICONIQ NEW ENERGY VEHICLE CO., LTD., Tianjin (CN)**
(**) Term: **15 Years**

D608,264 S * 1/2010 Hwang D12/192
D650,728 S * 12/2011 Mayrand D12/192
D666,544 S * 9/2012 Tsay D12/195
D772,128 S * 11/2016 Platt D12/192
D793,314 S * 8/2017 Yoon D12/192
D808,874 S * 1/2018 Gao D12/192
D852,189 S * 6/2019 Carr D14/258
D863,167 S * 10/2019 Moir D12/192
D877,013 S * 3/2020 Kim D12/192
D884,569 S * 5/2020 Roo-Clefas D12/192
D902,101 S * 11/2020 Jacob D12/192
D903,560 S * 12/2020 Takamura D12/192
D909,940 S * 2/2021 Roo-Clefas D12/192

(21) Appl. No.: **29/712,113**

(22) Filed: **Nov. 5, 2019**

(30) **Foreign Application Priority Data**

May 5, 2019 (CN) 201930213589.7

(51) **LOC (13) Cl.** **12-16**

(52) **U.S. Cl.**
USPC **D12/192**

(58) **Field of Classification Search**

USPC D12/192, 415, 114, 345; D14/157, 485,
D14/489, 492, 488, 490; D15/46, 98,
D15/102, 103, 122-127; D10/17, 28;
D23/324

CPC . B60R 11/0235; B60R 11/0252; B60K 37/04;
B60K 37/06; B60K 35/00

See application file for complete search history.

(56) **References Cited**

U.S. PATENT DOCUMENTS

D394,834 S * 6/1998 Sacco D12/192
D424,002 S * 5/2000 Leschke D12/192

* cited by examiner

Primary Examiner — Susan E Krakower

Assistant Examiner — Jerry Shiuan-Hua Hsu

(74) *Attorney, Agent, or Firm* — Kacvinsky Daisak Bluni PLLC

(57) **CLAIM**

The ornamental design for a cabin for automobile, as shown and described.

DESCRIPTION

FIG. 1 is a front view of the cabin for automobile, showing my new design;

FIG. 2 is a rear view thereof;

FIG. 3 is a left view thereof;

FIG. 4 is a right view thereof;

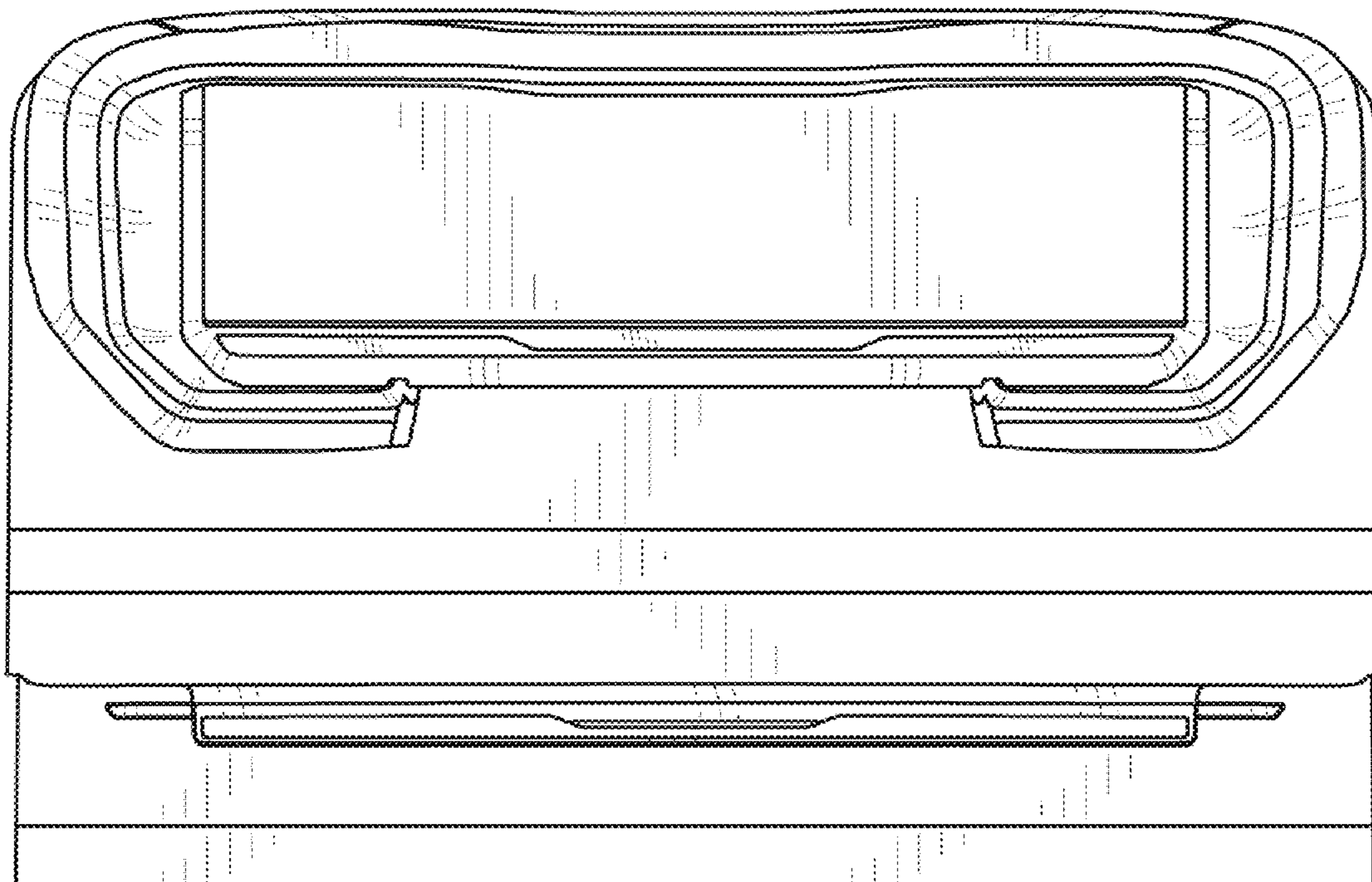
FIG. 5 is a top view thereof;

FIG. 6 is a bottom view thereof; and,

FIG. 7 is a perspective view thereof.

The broken lines illustrate portions of the cabin for automobile that form no part of the claimed design.

1 Claim, 4 Drawing Sheets



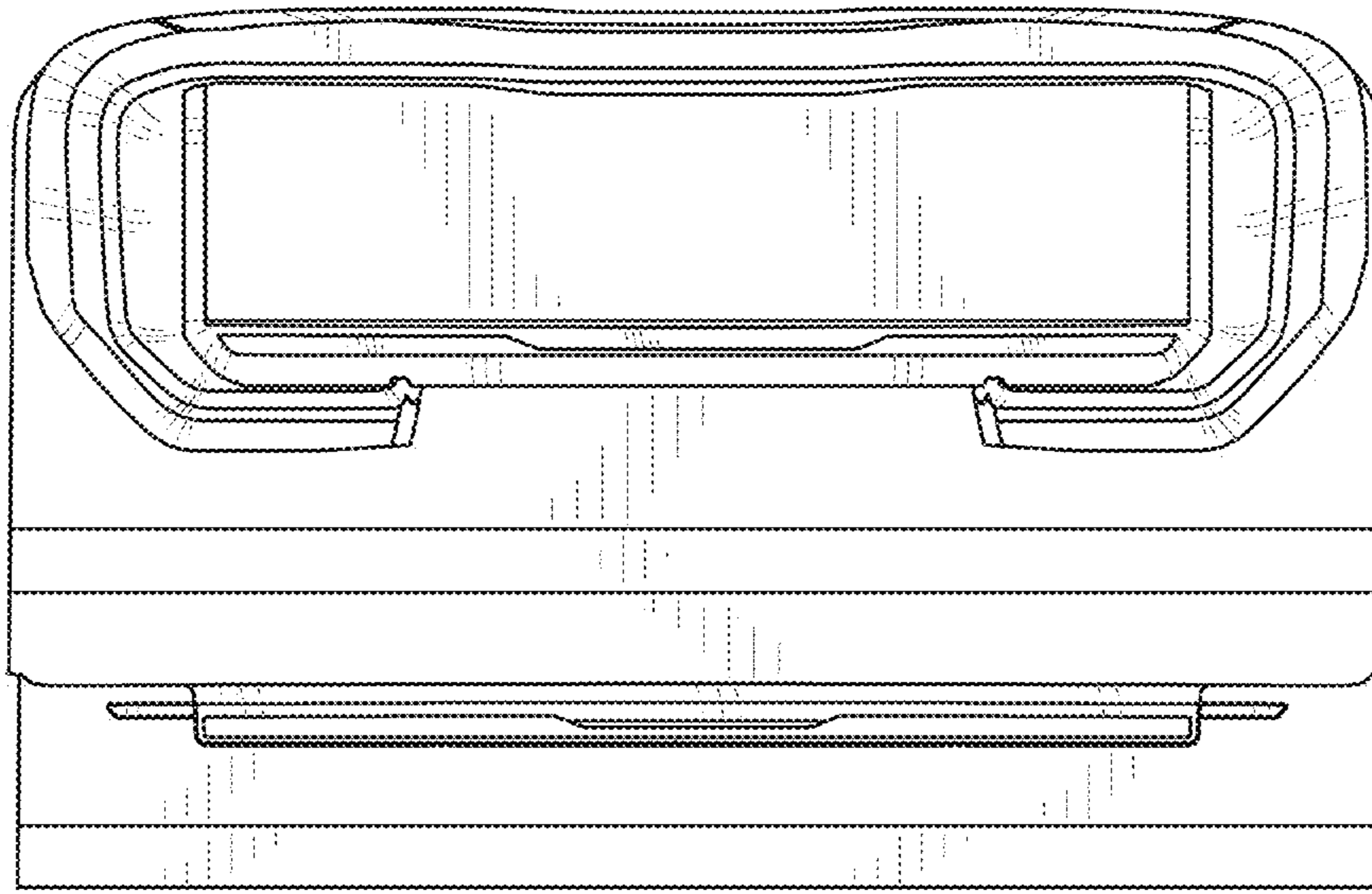


FIG. 1

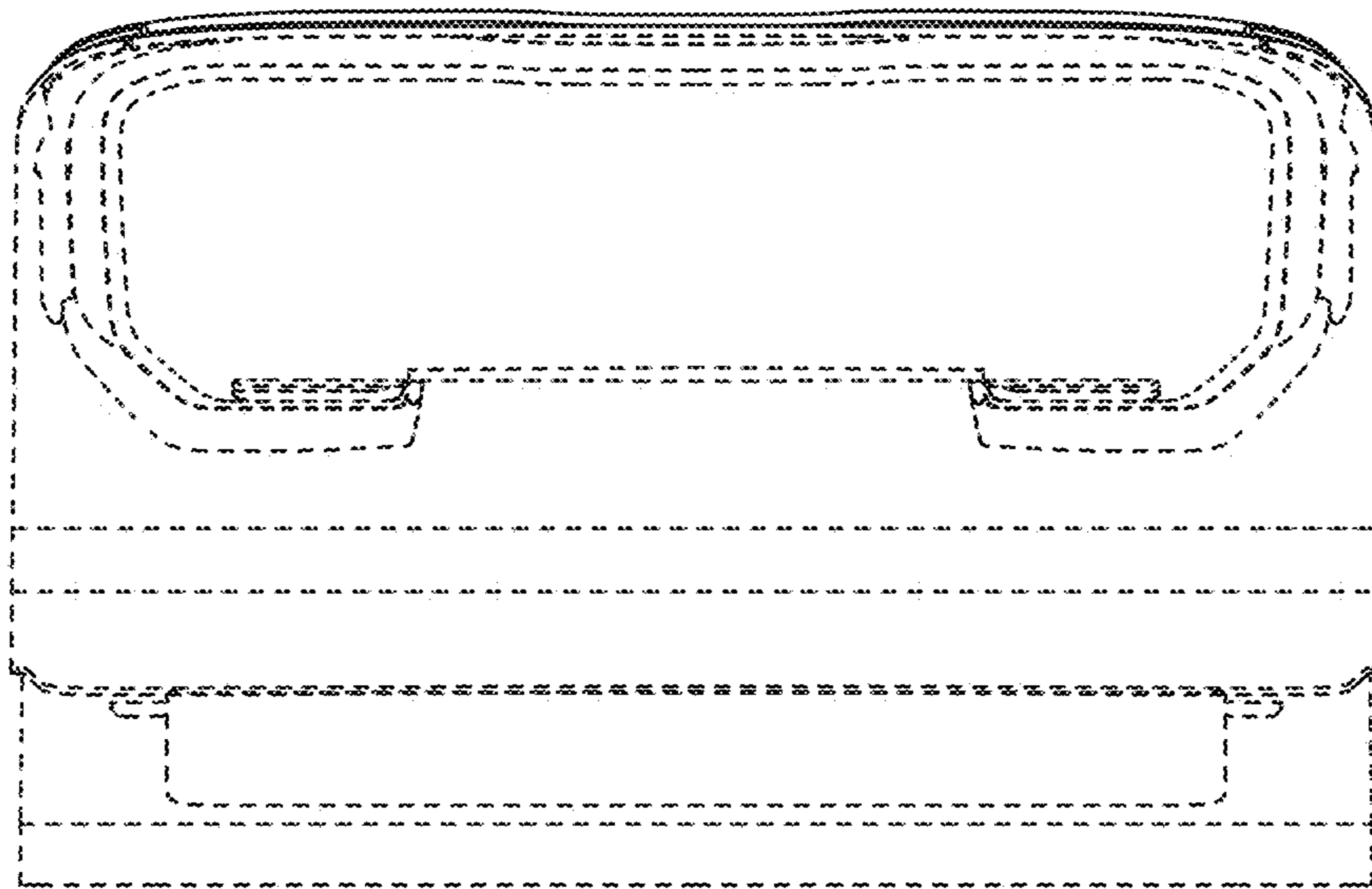


FIG. 2

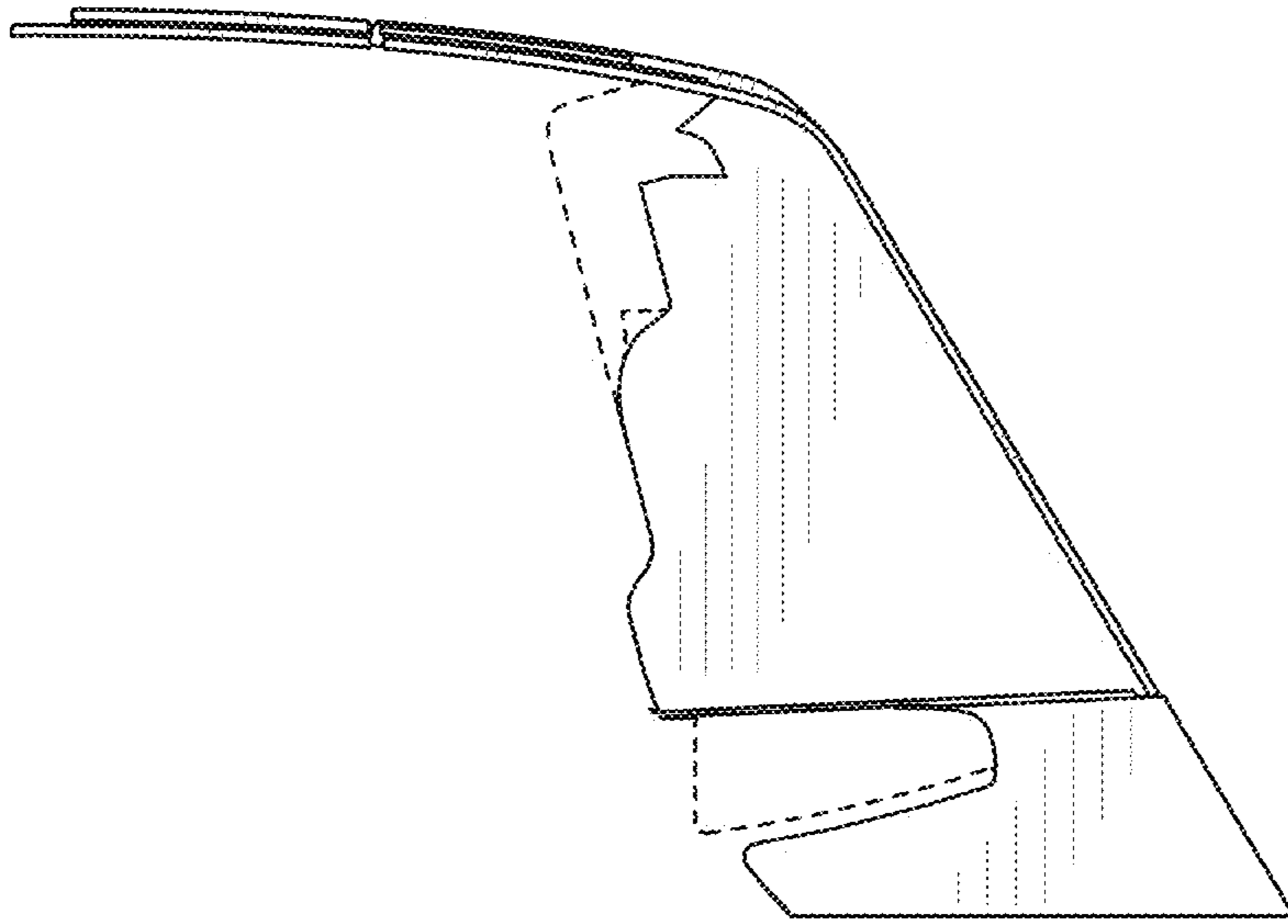


FIG.3

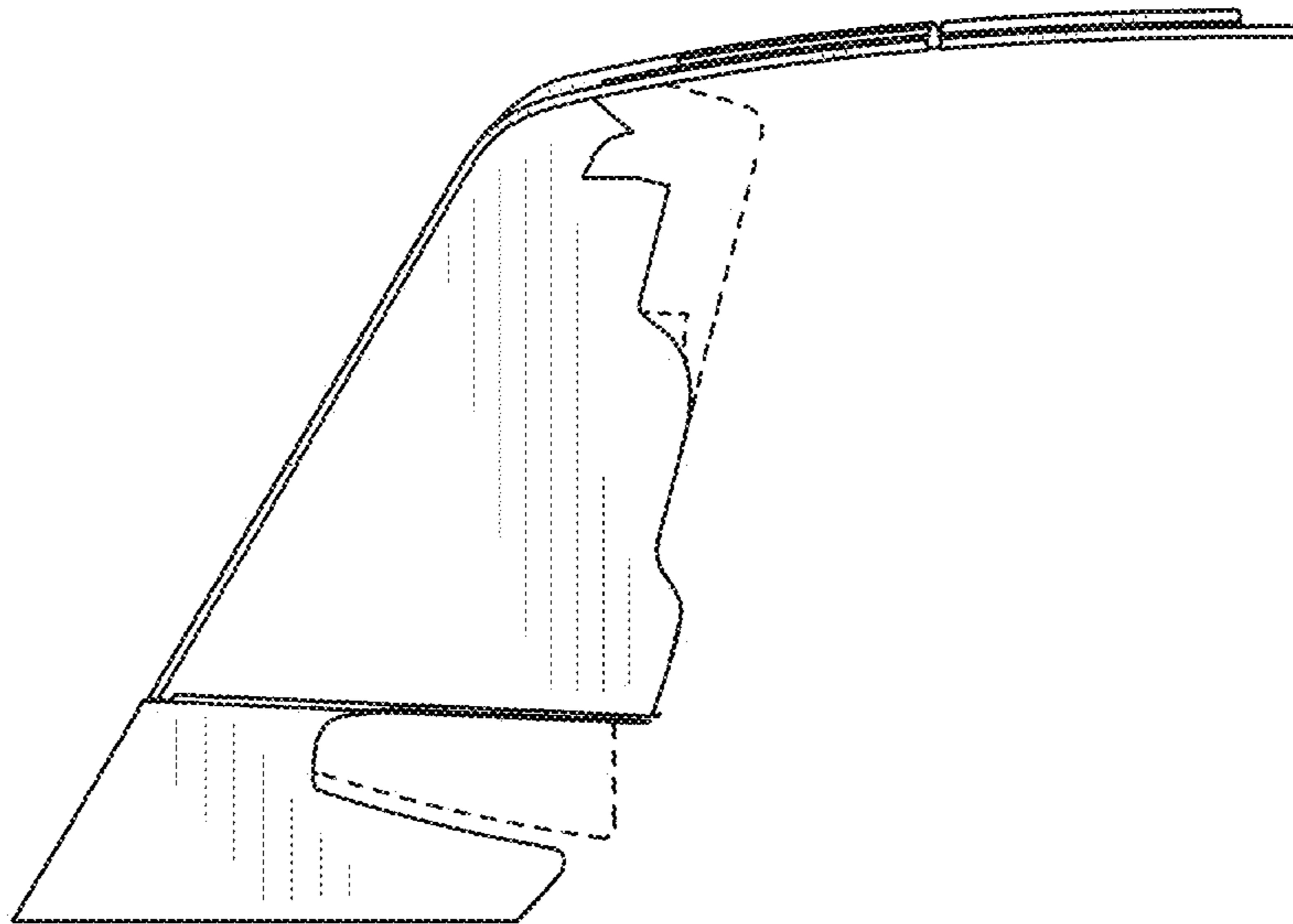


FIG.4

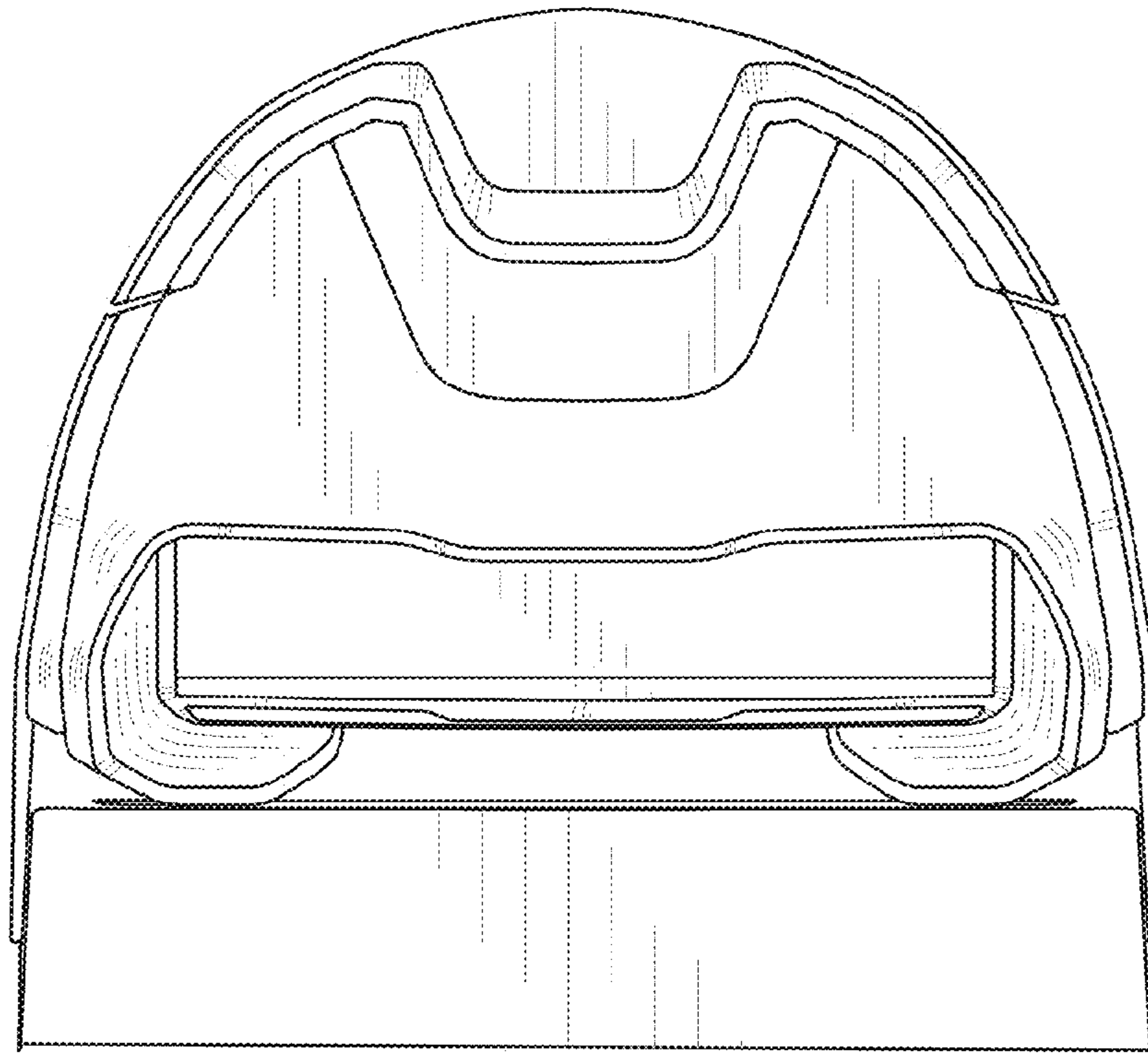


FIG. 5

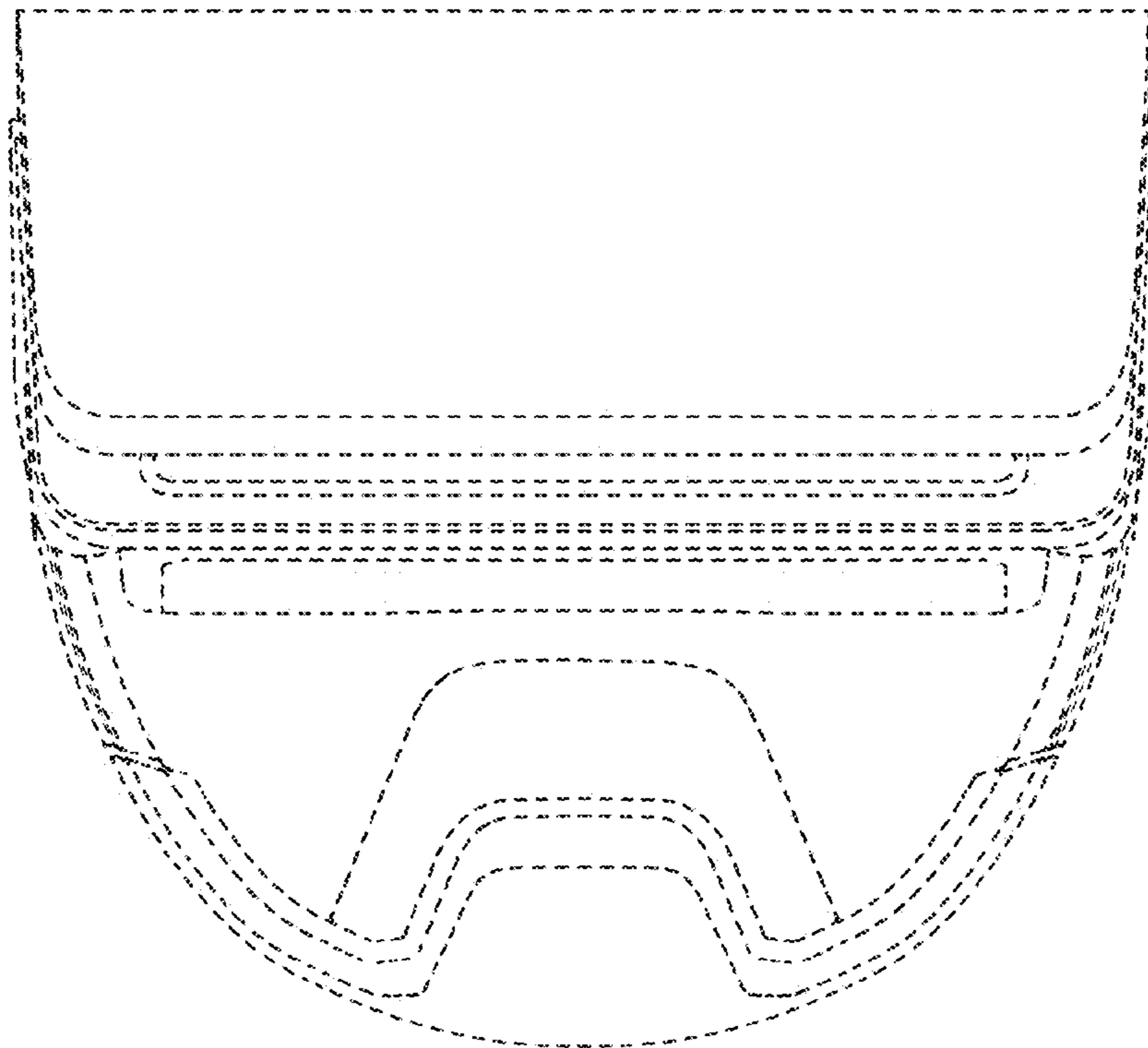


FIG. 6

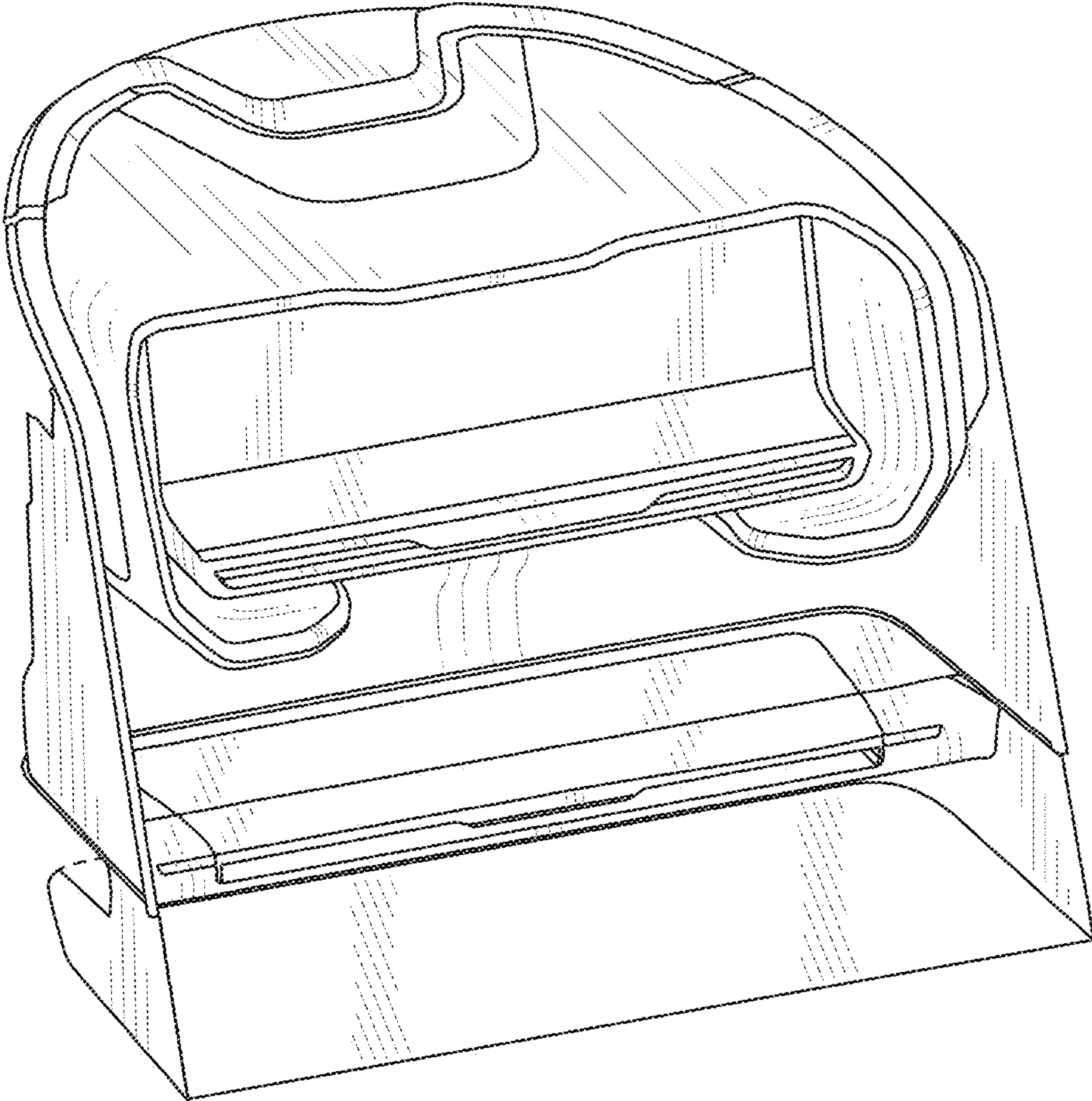


FIG.7