



US00D942340S

(12) **United States Design Patent** (10) **Patent No.:** **US D942,340 S**  
**Hallgren** (45) **Date of Patent:** **\*\* Feb. 1, 2022**

(54) **FENDER COMPONENT FOR VEHICLE**

(71) Applicant: **Volvo Construction Equipment AB,**  
Eskilstuna (SE)

(72) Inventor: **Michael Hallgren,** Pixbo (SE)

(73) Assignee: **VOLVO CONSTRUCTION**  
**EQUIPMENT AB**

(\*\*) Term: **15 Years**

(21) Appl. No.: **29/695,111**

(22) Filed: **Jun. 16, 2019**

**Related U.S. Application Data**

(62) Division of application No. 29/599,759, filed on Apr. 6, 2017, now Pat. No. Des. 870,620.

(30) **Foreign Application Priority Data**

Apr. 6, 2017 (EM) ..... 003844380  
Apr. 6, 2017 (EM) ..... 003844406  
Apr. 6, 2017 (EM) ..... 003844638

(51) **LOC (13) Cl.** ..... **12-16**

(52) **U.S. Cl.**  
USPC ..... **D12/184**

(58) **Field of Classification Search**  
USPC ..... D12/184, 82, 86, 12, 90, 91, 93, 95, 96,  
D12/97, 99, 175, 177, 181, 196; 280/851  
CPC ..... B62D 25/18; B62D 25/184; B60R 13/00  
See application file for complete search history.

(56) **References Cited**

**U.S. PATENT DOCUMENTS**

2,868,310 A \* 1/1959 Lee ..... B62D 25/10  
180/89.17  
D382,844 S \* 8/1997 Norwood ..... D12/184  
D556,656 S \* 12/2007 Davis ..... D12/184  
D560,149 S \* 1/2008 Leclercq ..... D12/184

D615,472 S \* 5/2010 Maher ..... D12/196  
D621,756 S \* 8/2010 Angelo ..... D12/184  
D643,352 S \* 8/2011 Hjorten ..... D12/181  
D660,207 S \* 5/2012 Hanson ..... D12/184  
D694,683 S \* 12/2013 Lee ..... D12/184  
D697,844 S \* 1/2014 Conway ..... D12/184  
D785,523 S \* 5/2017 McMath ..... D12/184  
D786,753 S \* 5/2017 Conway ..... D12/184  
D786,754 S \* 5/2017 Conway ..... D12/184  
D788,661 S \* 6/2017 Henstridge ..... D12/184  
D791,657 S \* 7/2017 Ito ..... D12/184  
D824,289 S \* 7/2018 Lokers ..... D12/96  
D825,617 S \* 8/2018 Hallgren ..... D15/10

(Continued)

**OTHER PUBLICATIONS**

Images of Volvo Construction Equipment Hauler Model A45G, disclosed at Bauma Trade Fair, Munich, Germany, Apr. 11-17, 2016.\*

(Continued)

*Primary Examiner* — Manpreet S Matharu  
*Assistant Examiner* — Yolanda Robinson  
(74) *Attorney, Agent, or Firm* — Tucker Ellis LLP

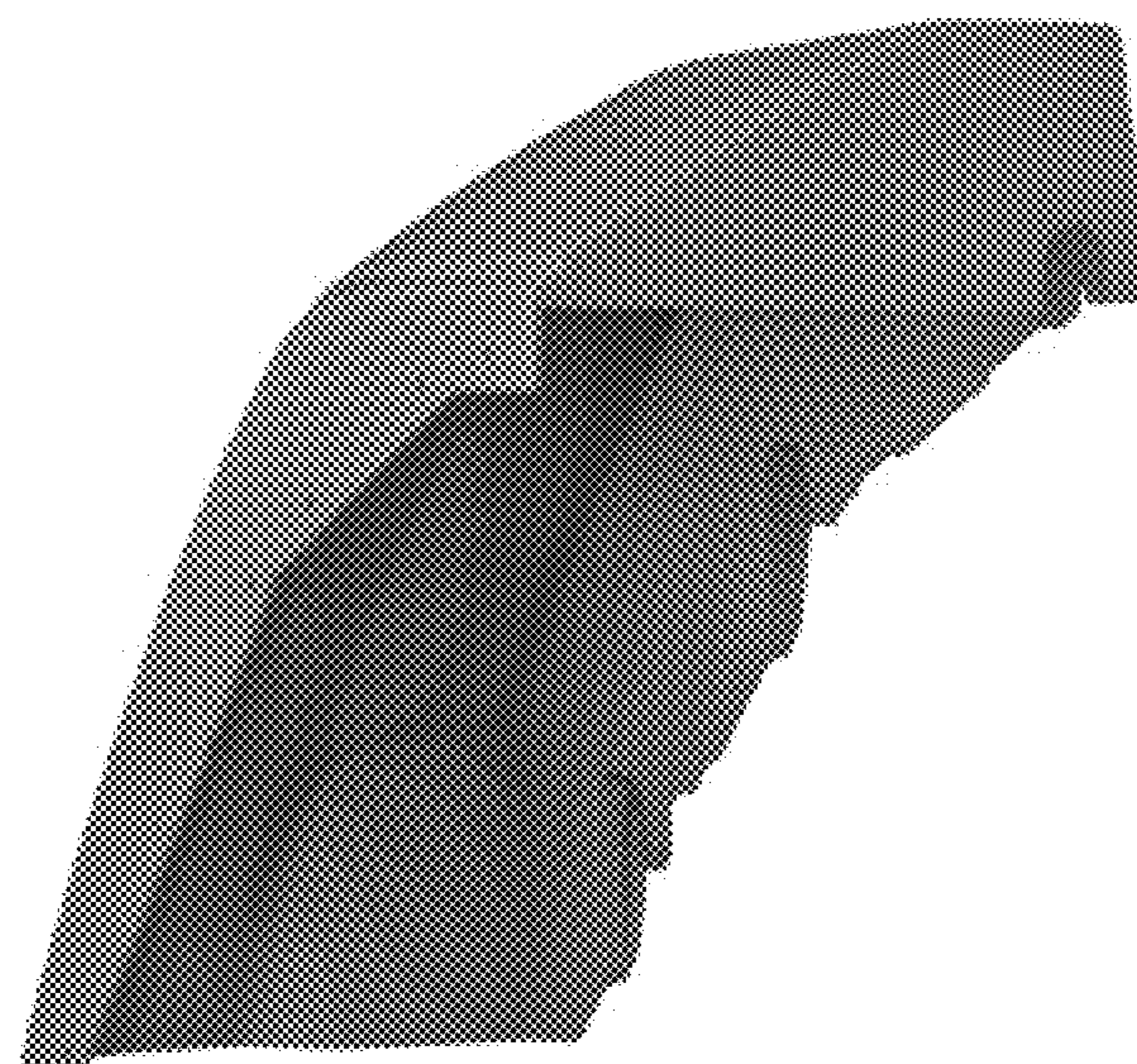
(57) **CLAIM**

The ornamental design for a fender component for vehicle, as shown and described.

**DESCRIPTION**

FIG. 1 is a perspective view of a fender component for vehicle showing my new design.  
FIG. 2 is another perspective view thereof.  
FIG. 3 is a front view thereof.  
FIG. 4 is a rear view thereof.  
FIG. 5 is a left side thereof.  
FIG. 6 is a right side thereof.  
FIG. 7 is a top view thereof; and,  
FIG. 8 is a bottom view thereof.

**1 Claim, 8 Drawing Sheets**



(56)

**References Cited**

U.S. PATENT DOCUMENTS

D827,498 S \* 9/2018 Anderson ..... D12/96  
D834,621 S \* 11/2018 Hallgren ..... D15/10  
D840,302 S \* 2/2019 O'Donnell ..... D12/184  
D841,548 S \* 2/2019 Dharmawan ..... D12/196  
D848,321 S \* 5/2019 Lu ..... D12/169  
D851,568 S \* 6/2019 Tsuji ..... D12/196  
D852,103 S \* 6/2019 Hallgren ..... D12/196  
D891,336 S \* 7/2020 Bering ..... D12/184  
2012/0274101 A1 \* 11/2012 Myslak ..... B62D 25/18  
296/198  
2017/0253221 A1 \* 9/2017 Verhoff ..... B62D 21/152

OTHER PUBLICATIONS

Product Brochure for Volvo Construction Equipment Hauler Model A45G, dated Oct. 2016.\*

Images of Volvo Construction Equipment Excavator Model EC950E, disclosed at Bauma Trade Fair, Munich, Germany, Apr. 11-17, 2016.\*

Images of Volvo Construction Equipment Excavator Model EC750E, disclosed to public May 2016.\*

\* cited by examiner

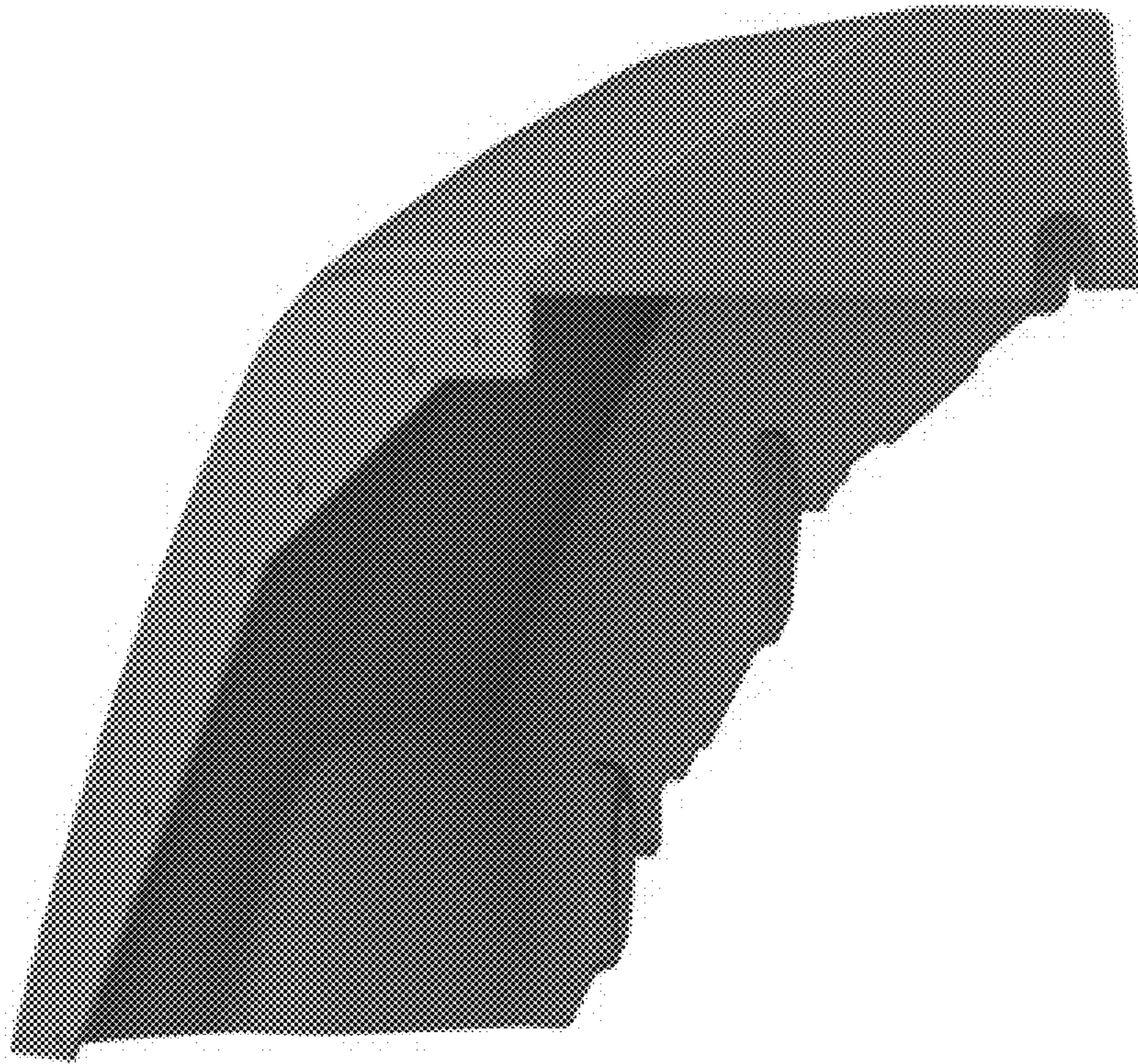


FIG. 1

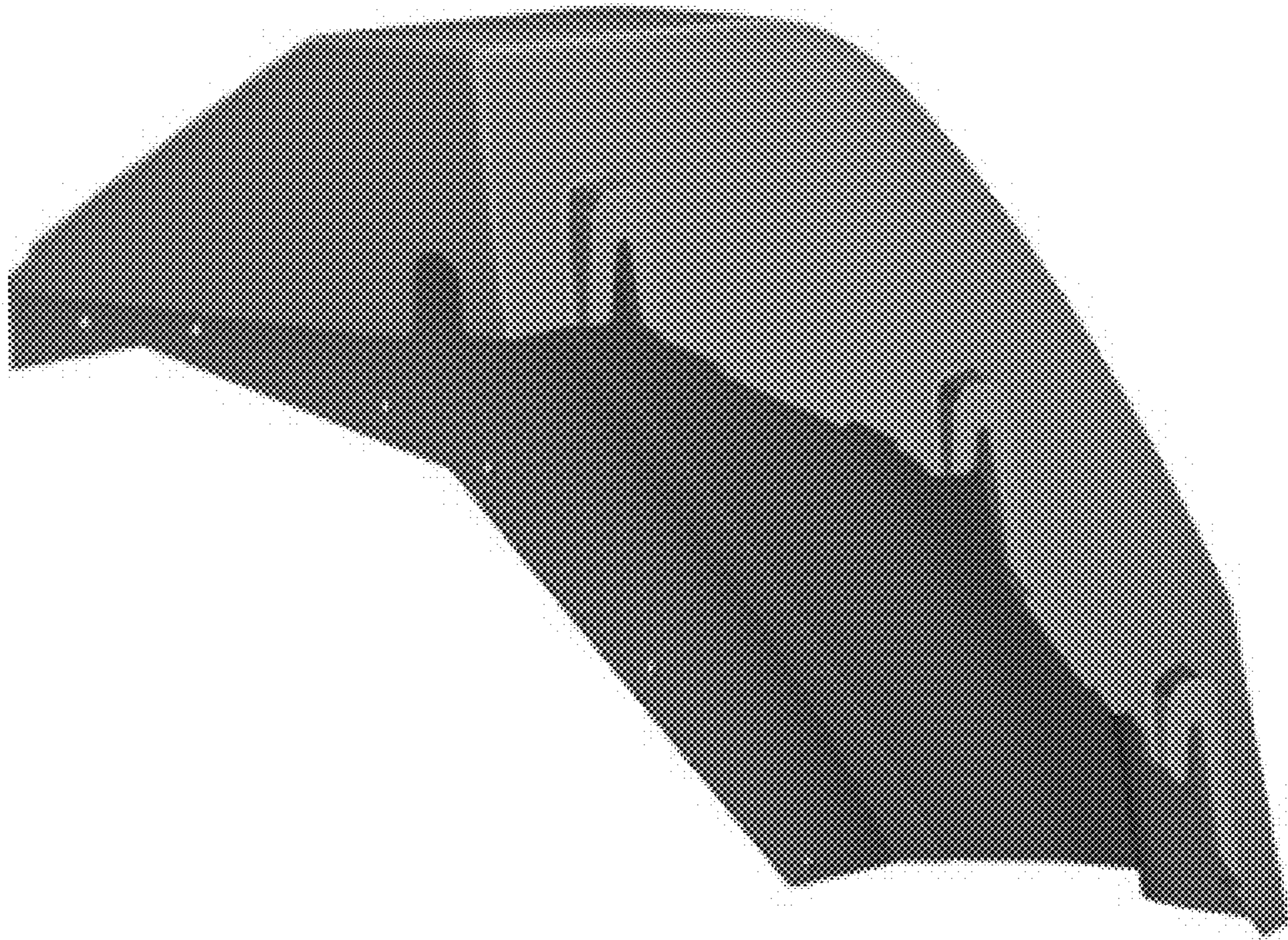


FIG. 2

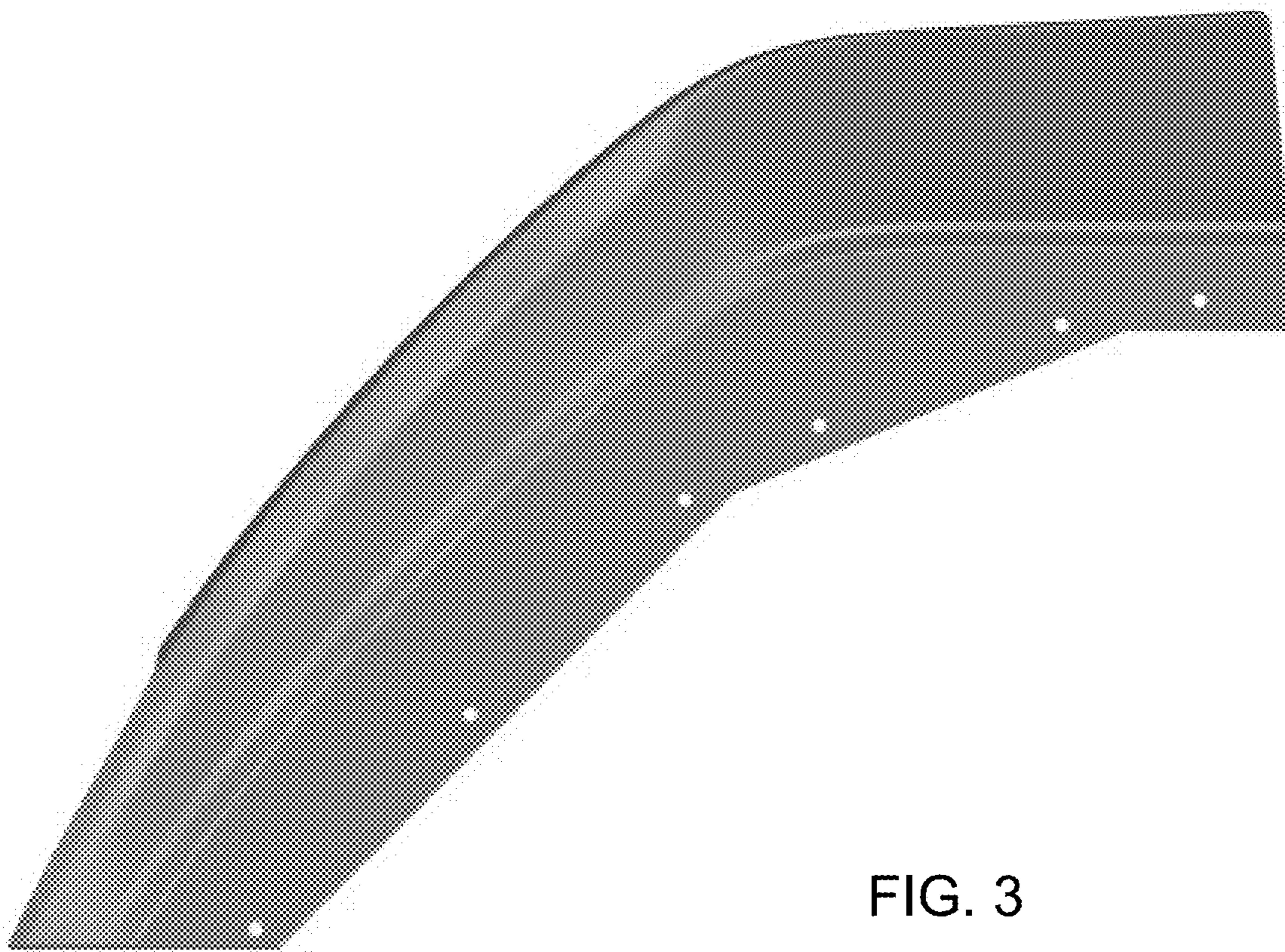


FIG. 3

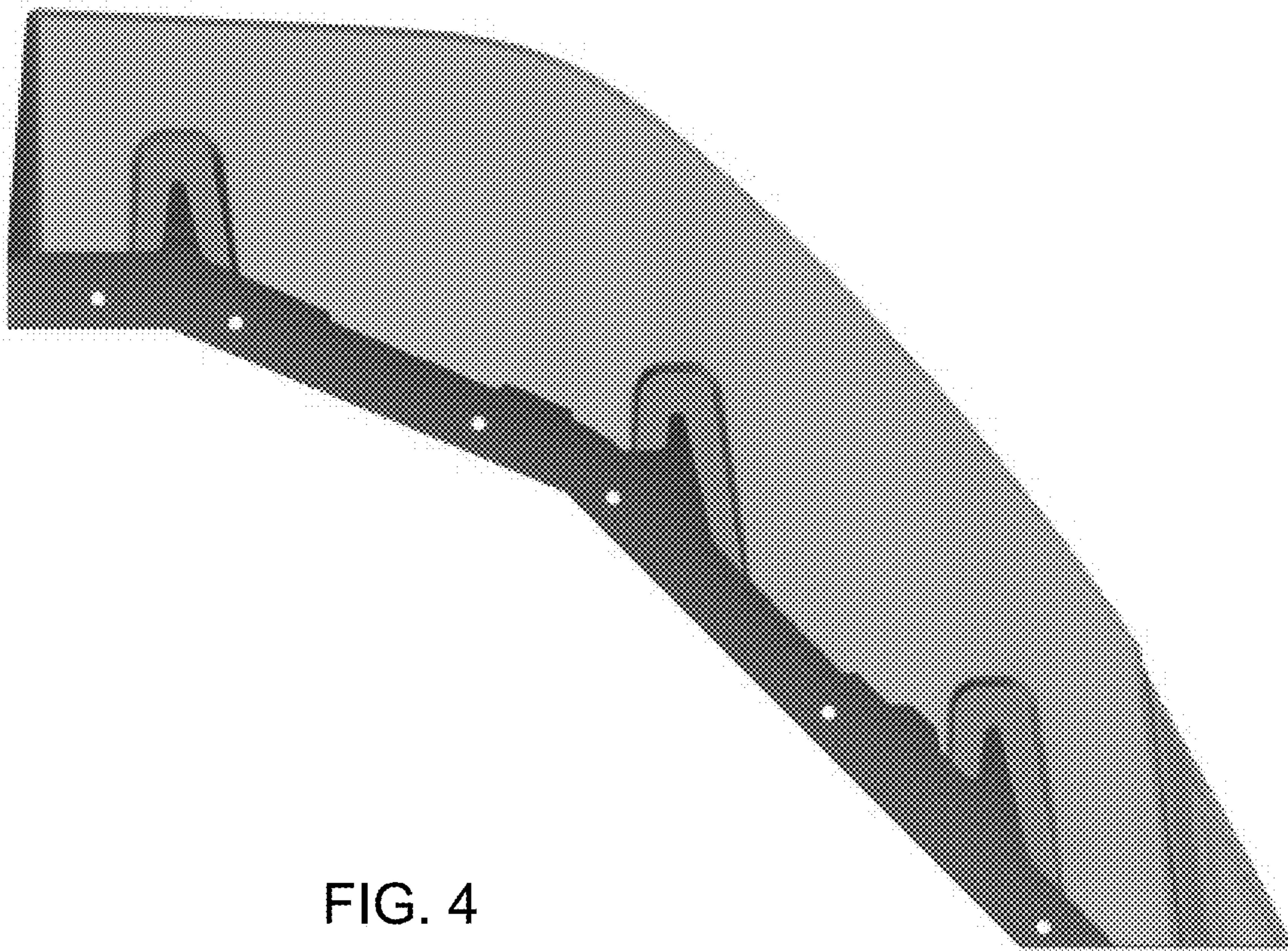


FIG. 4

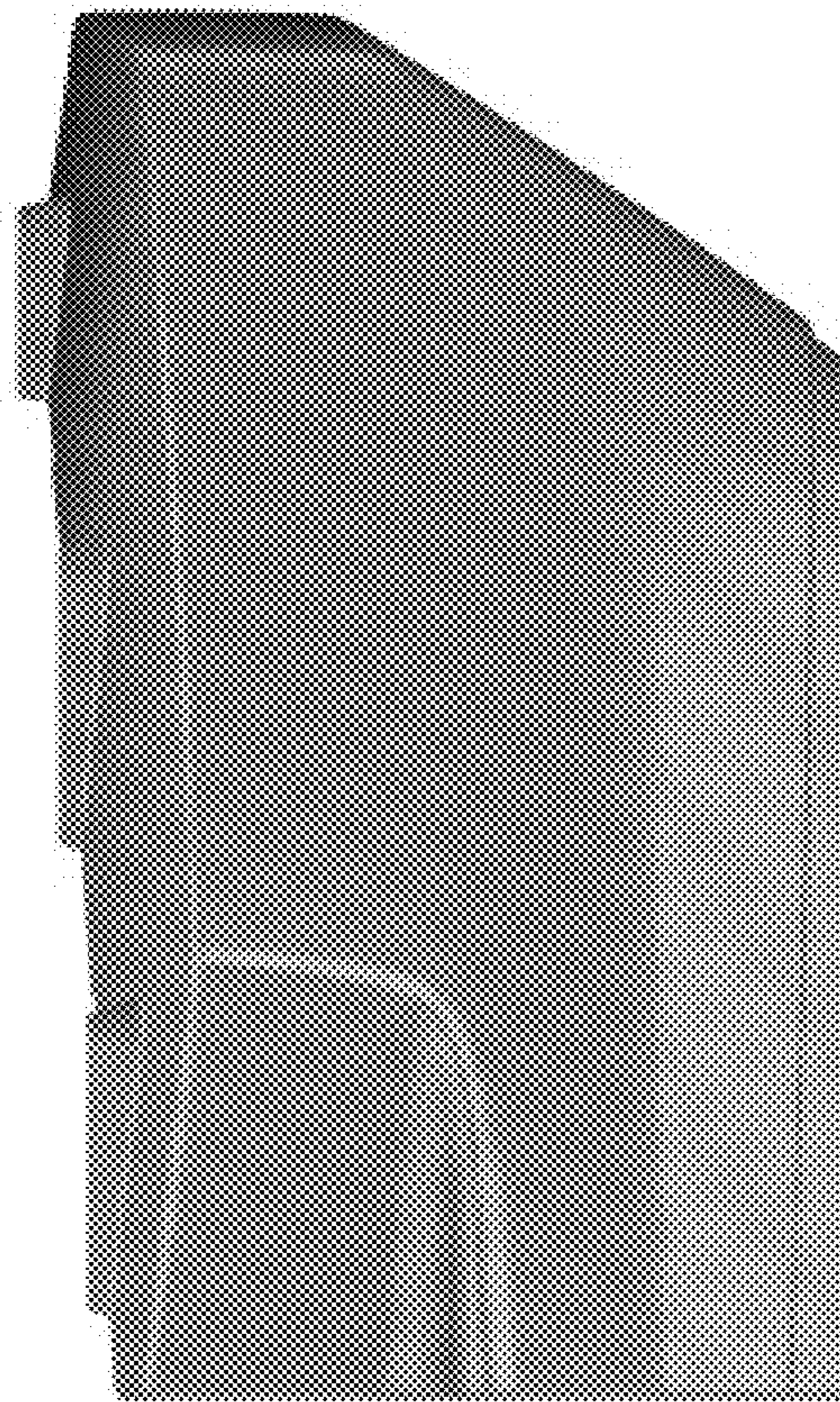


FIG. 5

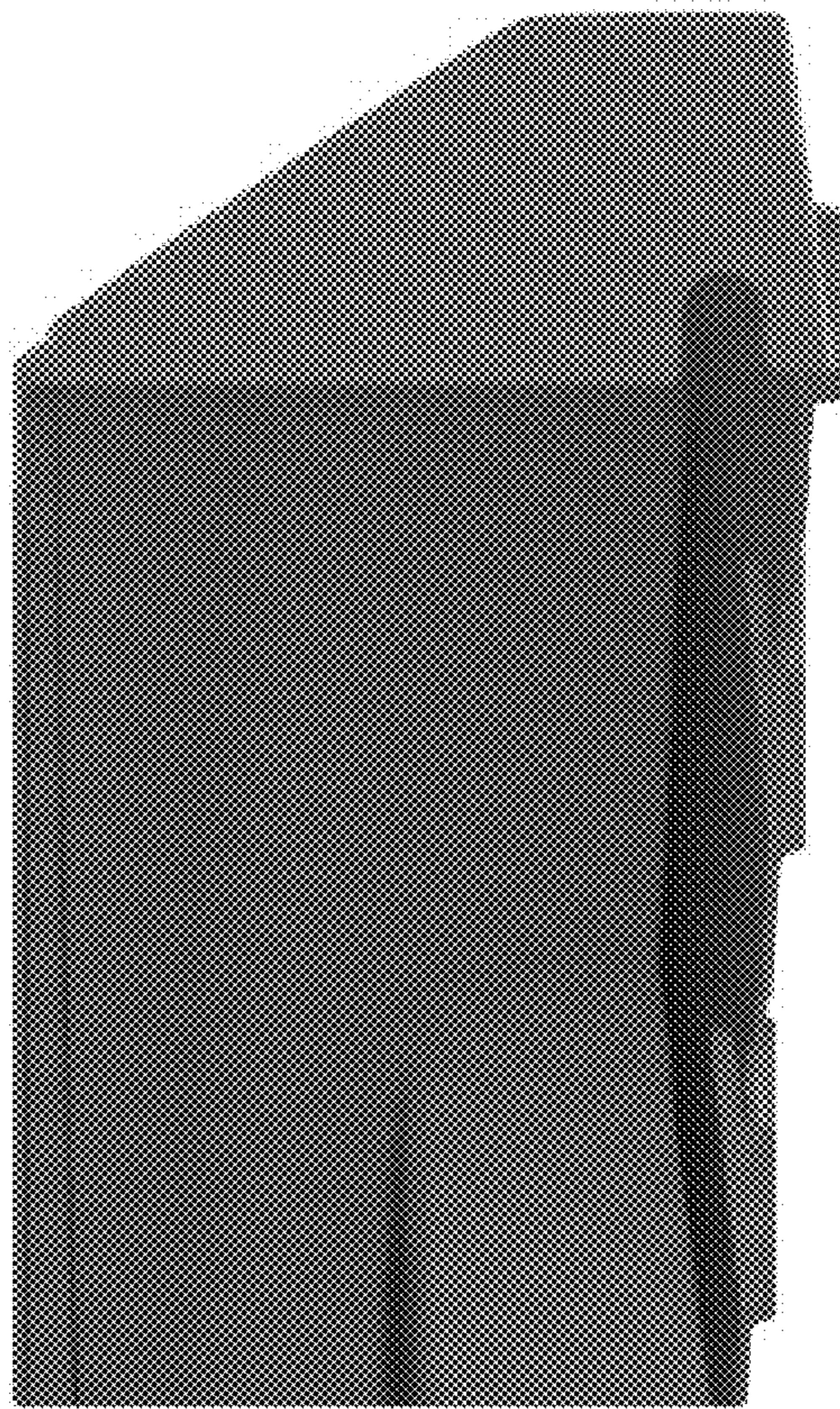


FIG. 6



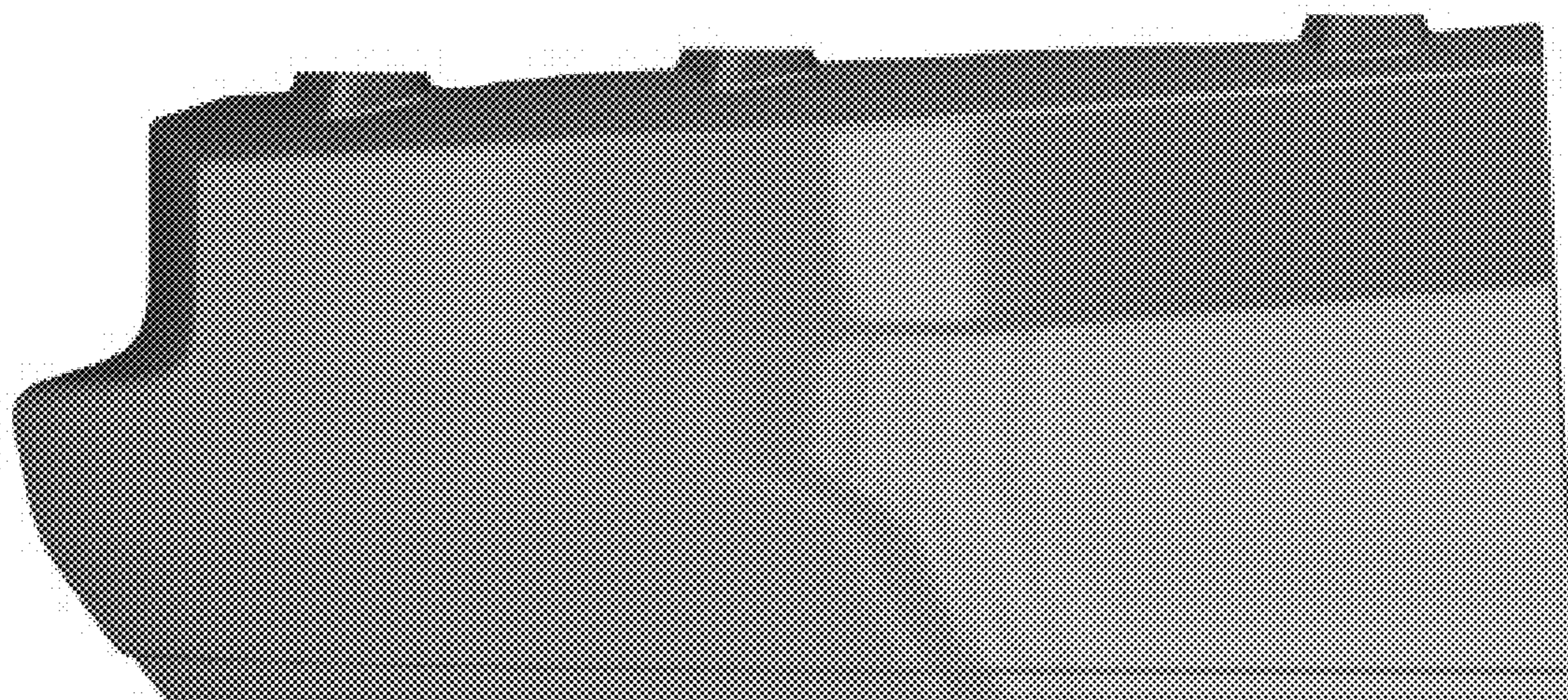


FIG. 7

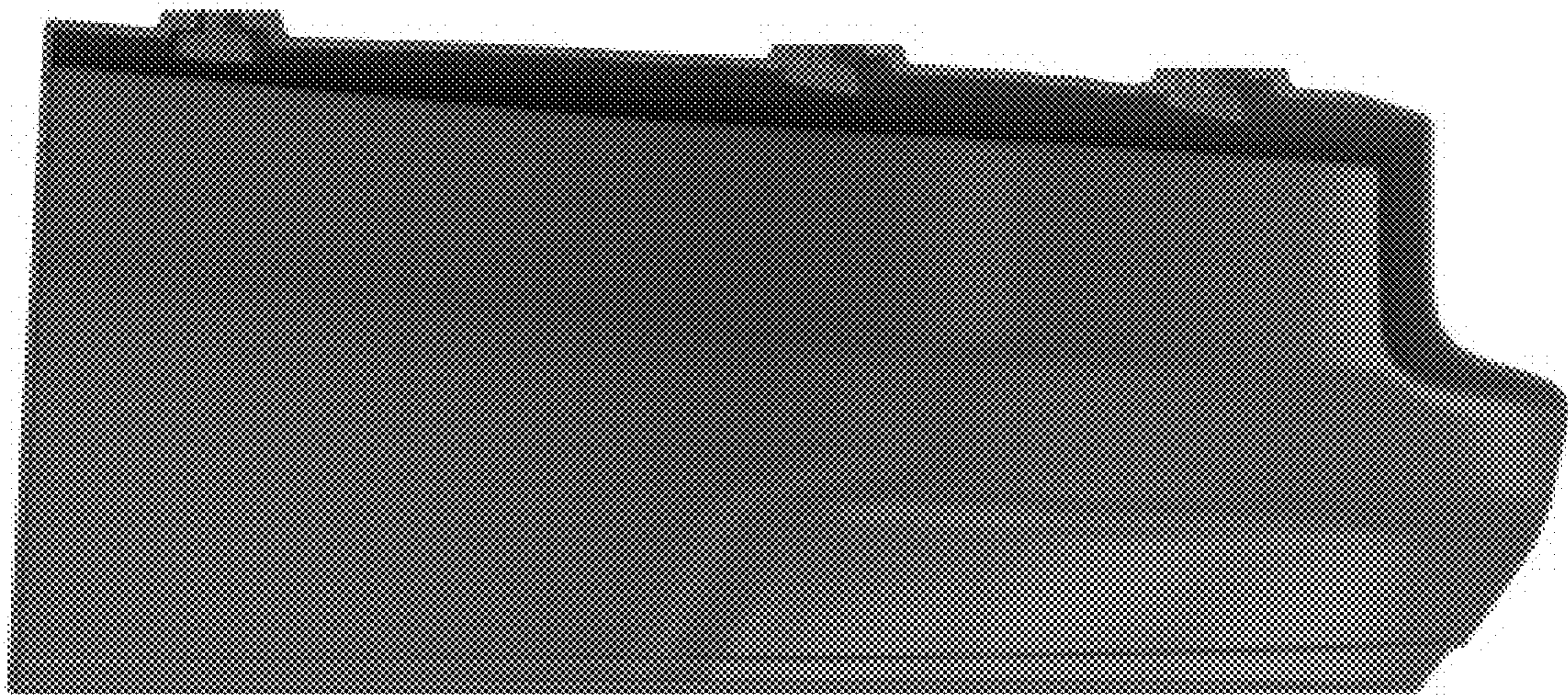


FIG. 8