



US00D942334S

(12) **United States Design Patent**  
**Wang**

(10) **Patent No.:** **US D942,334 S**

(45) **Date of Patent:** **\*\* Feb. 1, 2022**

- (54) **TRAILER HITCH BALL MOUNT**
- (71) Applicant: **FORCOME (ZHEJIANG) CO., LTD.**,  
Jinhua (CN)
- (72) Inventor: **Jiancheng Wang**, Jinhua (CN)
- (73) Assignee: **FORCOME (ZHEJIANG) CO., LTD.**,  
Zhejiang (CN)
- (\*\*) Term: **15 Years**
- (21) Appl. No.: **29/751,276**
- (22) Filed: **Sep. 19, 2020**
- (51) **LOC (13) Cl.** ..... **12-16**
- (52) **U.S. Cl.**  
USPC ..... **D12/162**
- (58) **Field of Classification Search**  
USPC ..... D12/159-162  
CPC . B60D 1/60; B60D 1/065; B60D 1/00; B60D  
1/06; B60D 1/36; B62D 33/033  
See application file for complete search history.

- D841,526 S \* 2/2019 Siegel ..... D12/162
- D894,800 S \* 9/2020 Noel ..... D12/162
- D897,245 S \* 9/2020 Borkholder ..... D12/162
- D907,537 S \* 1/2021 Goodner ..... D12/162
- D909,922 S \* 2/2021 Siegel ..... D12/162
- D918,787 S \* 5/2021 Cotter ..... D12/162
- D922,914 S \* 6/2021 Works ..... B60R 9/06  
D12/162
- D926,088 S \* 7/2021 Hart ..... D12/162
- D932,385 S \* 10/2021 Sablatura ..... B60R 9/06  
D12/162
- D934,744 S \* 11/2021 Mueller ..... D12/162

\* cited by examiner

*Primary Examiner* — Katrina A Betton  
(74) *Attorney, Agent, or Firm* — SZDC Law P.C.

(57) **CLAIM**

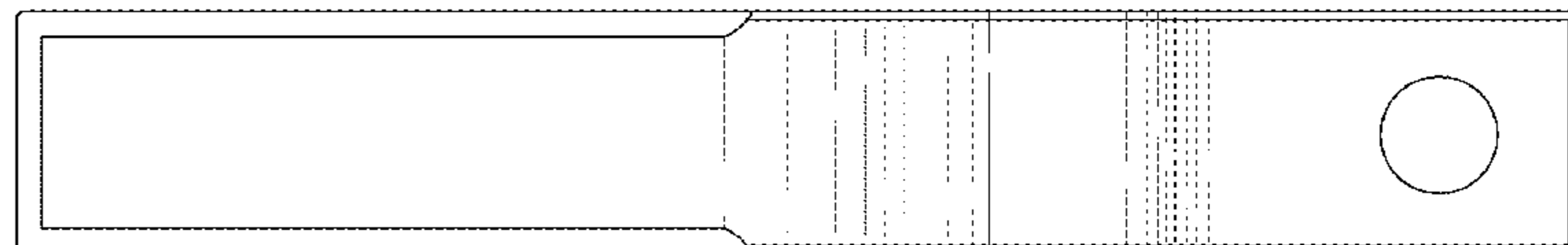
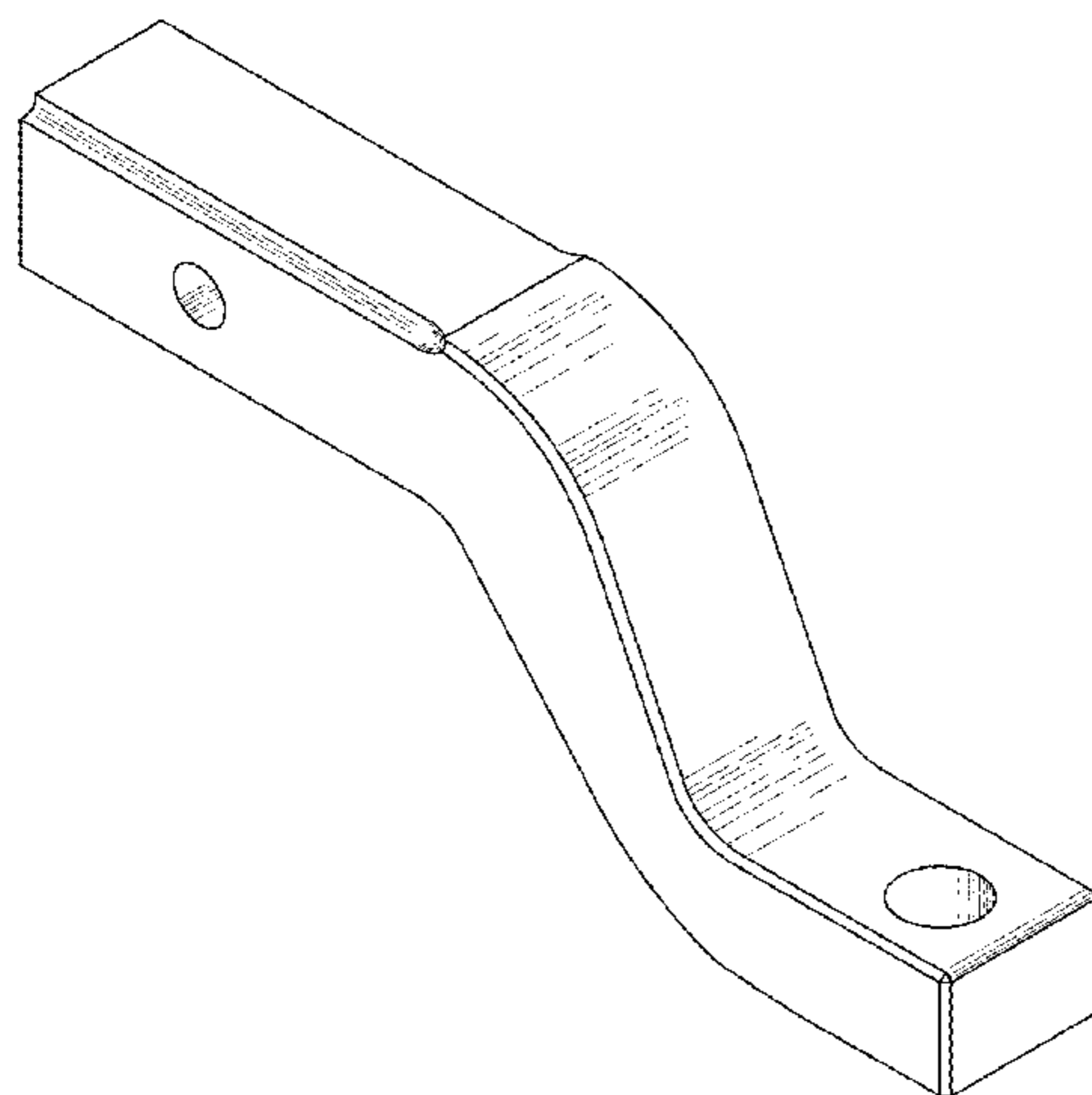
The ornamental design for a trailer hitch ball mount, as shown and described.

**DESCRIPTION**

FIG. 1 is a front perspective view of the trailer hitch ball mount;  
FIG. 2 is a left view of the trailer hitch ball mount;  
FIG. 3 is a right view of the trailer hitch ball mount;  
FIG. 4 is a top view of the trailer hitch ball mount; and,  
FIG. 5 is a bottom view of the trailer hitch ball mount.

**1 Claim, 3 Drawing Sheets**

- (56) **References Cited**  
U.S. PATENT DOCUMENTS  
D687,353 S \* 8/2013 Dunn ..... D12/162  
D709,805 S \* 7/2014 Hill ..... D12/162  
D834,464 S \* 11/2018 Cincunegui ..... D12/162



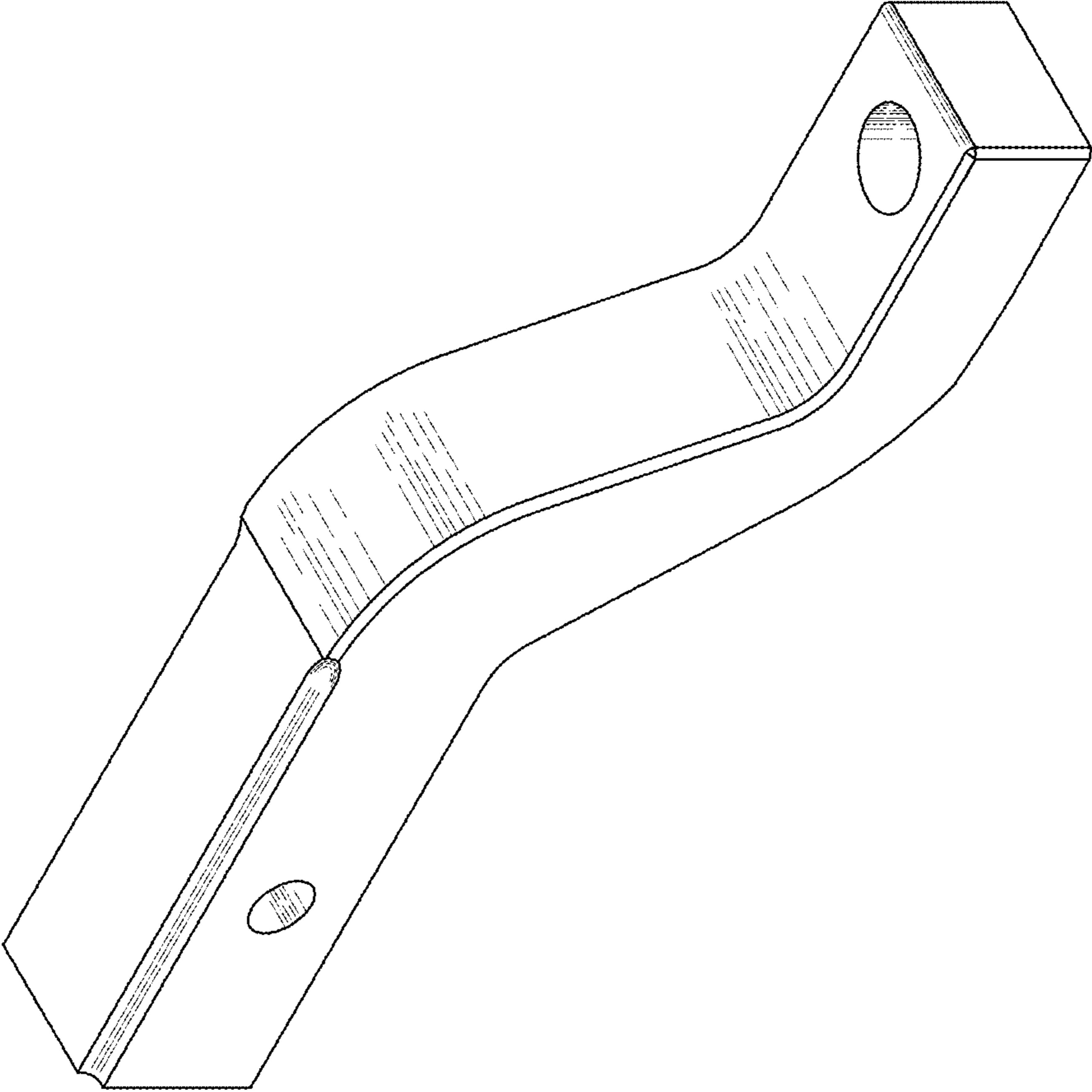


FIG. 1

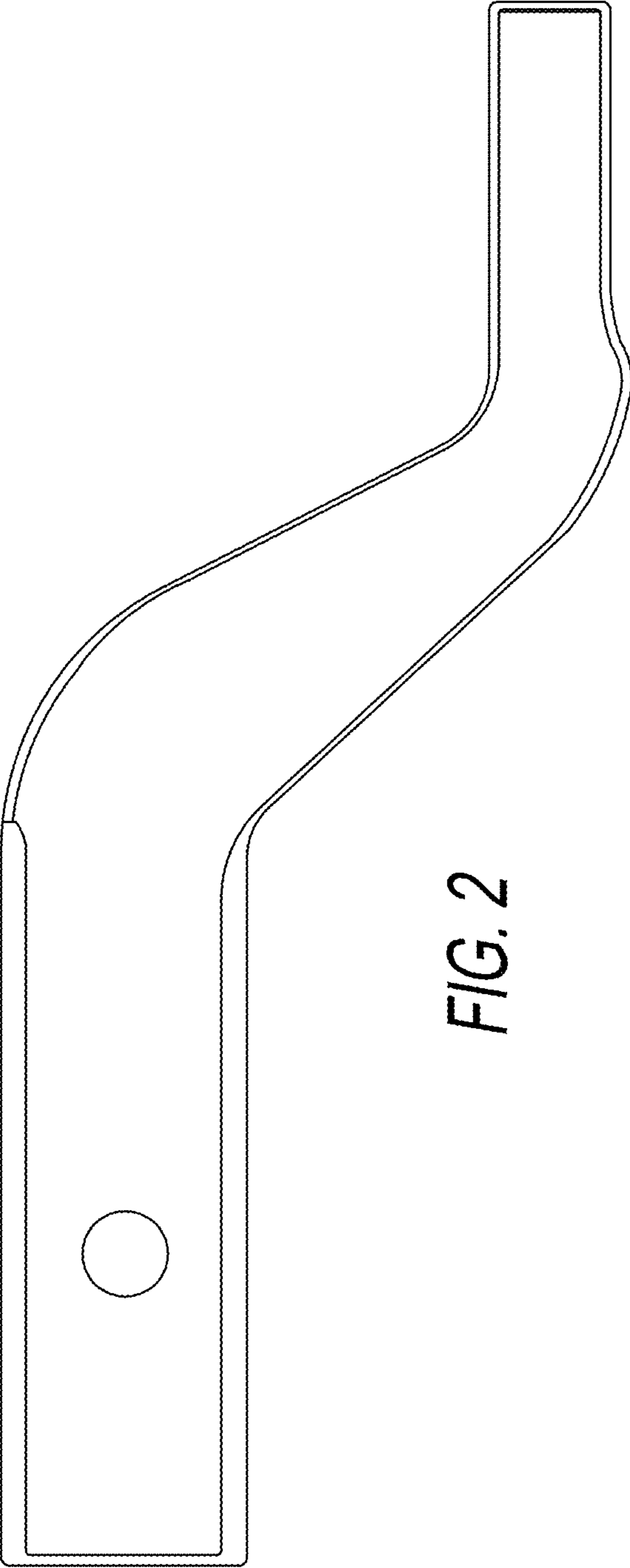


FIG. 2

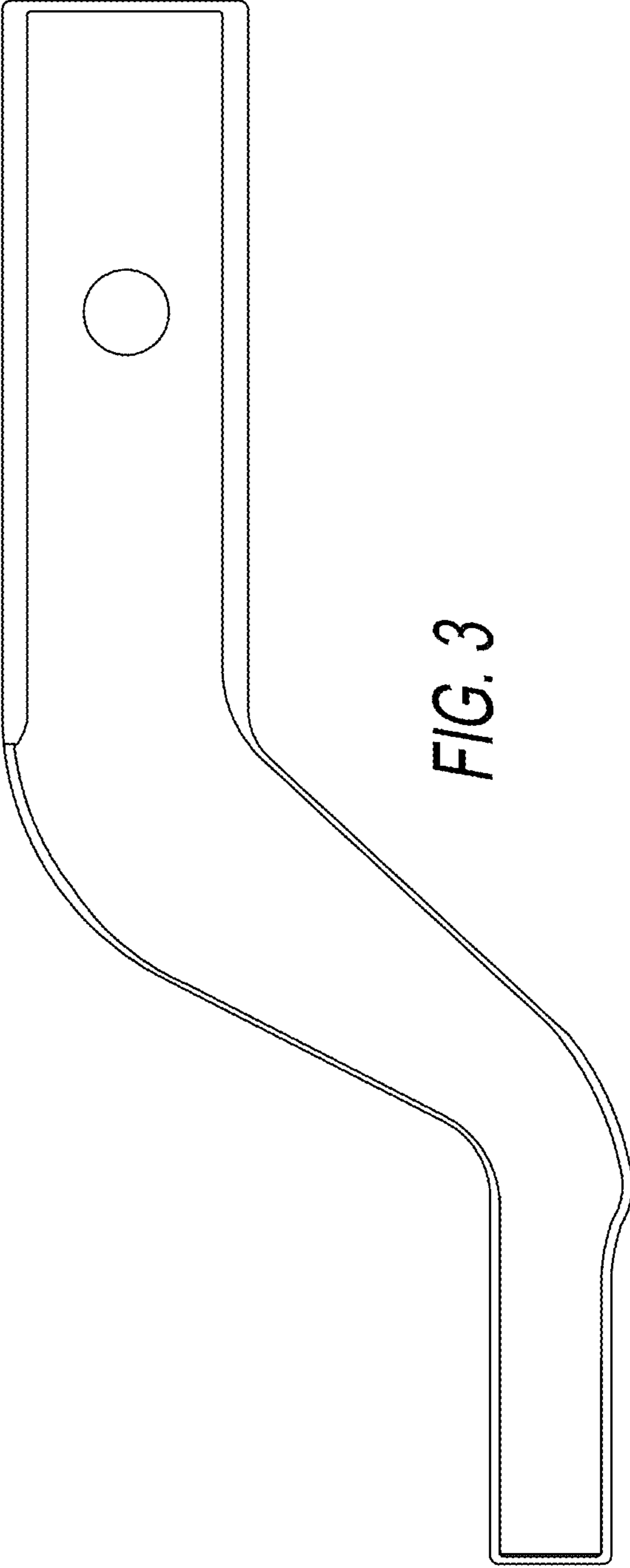


FIG. 3

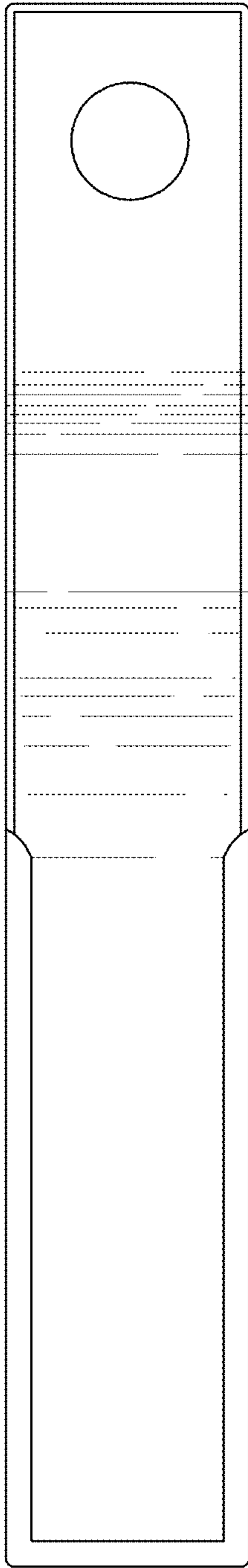


FIG. 4

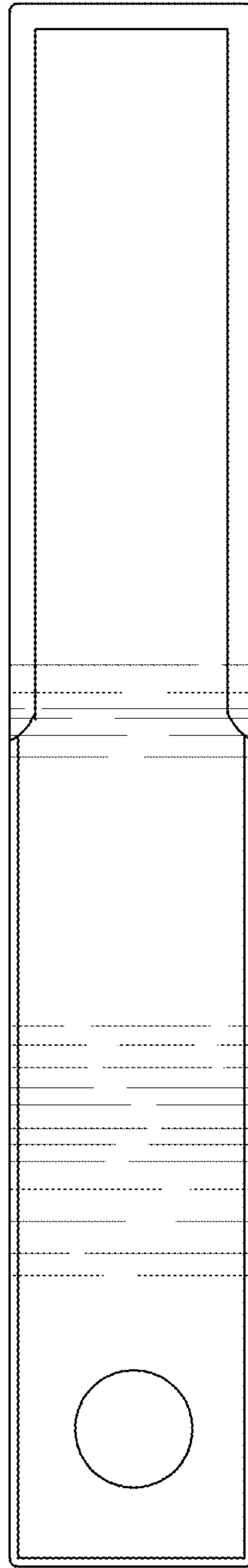


FIG. 5