



US00D942333S

(12) **United States Design Patent** (10) **Patent No.:** **US D942,333 S**  
**Deng** (45) **Date of Patent:** **\*\* Feb. 1, 2022**

(54) **MOTORCYCLE FLAGPOLE MOUNT**

(71) Applicant: **Xiaobao Deng**, Gaozhou (CN)

(72) Inventor: **Xiaobao Deng**, Gaozhou (CN)

(\*\*) Term: **15 Years**

(21) Appl. No.: **29/771,532**

(22) Filed: **Feb. 23, 2021**

(51) **LOC (13) Cl.** ..... **12-11**

(52) **U.S. Cl.**  
USPC ..... **D12/114**

(58) **Field of Classification Search**  
USPC ..... D12/114, 110, 117, 119, 162, 223, 400;  
D8/373, 376, 378; D11/165, 166,  
D11/181-183; D20/41-43; D22/147,  
D22/148  
CPC . B62J 11/00; B62J 50/25; G09F 17/00; G09F  
17/75

See application file for complete search history.

(56) **References Cited**

**U.S. PATENT DOCUMENTS**

3,477,161	A *	11/1969	Drexler	.....	G09F 17/00 40/218
3,587,520	A *	6/1971	Miller	.....	G09F 17/00 116/173
D244,679	S *	6/1977	Outerbridge	.....	D11/181
D257,245	S *	10/1980	Neal	.....	D11/181
D271,190	S *	11/1983	Dostourian	.....	D11/181
4,590,883	A *	5/1986	Steed	.....	B60R 13/005 116/173
5,039,056	A *	8/1991	Paxton	.....	H01Q 1/1207 248/539
D428,361	S *	7/2000	Jones	.....	D11/181
D448,702	S *	10/2001	Hawkins	.....	H01Q 1/1228 D11/181
D469,381	S *	1/2003	LaCroix	.....	D11/182
D475,677	S	6/2003	Zucker		
D479,161	S	9/2003	Halbert		

D487,566	S *	3/2004	Oliveras	.....	D10/109.1
D493,746	S *	8/2004	Henson	.....	D11/182
D526,929	S	8/2006	Barrett		
D527,307	S	8/2006	Barrett		
D578,442	S *	10/2008	Oakley	.....	D12/162
D585,329	S *	1/2009	Flanagan	.....	D11/166
D592,110	S *	5/2009	Oakley	.....	D12/162
D592,125	S *	5/2009	Stracuzzi	.....	D11/181
D594,777	S *	6/2009	Oakley	.....	D11/182

(Continued)

**OTHER PUBLICATIONS**

Motorcycle Flag pole Mount and USA Flag, Motorcycle Flagpole Mount for Honda Goldwing for Yamaha VTX Etc (Blue Color); Jun. 21, 2021; <https://www.aliexpress.com/item/4000134211132.html>; 2Pgs. (Year: 2021).\*

*Primary Examiner* — Michelle E. Wilson

*Assistant Examiner* — Clese Moore, Jr.

(74) *Attorney, Agent, or Firm* — Xiaofang Zhong; Law Office of Xiaofang Zhong, PLLC

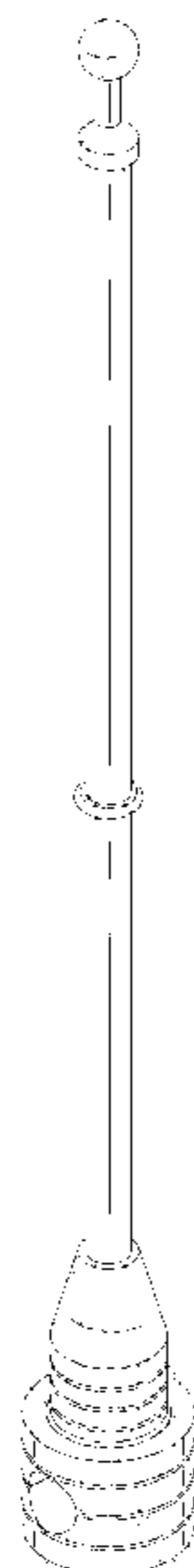
(57) **CLAIM**

The ornamental design for a motorcycle flagpole mount, as shown and described.

**DESCRIPTION**

FIG. 1 is a perspective view of a motorcycle flagpole mount showing my new design;  
FIG. 2 is a front elevational view thereof;  
FIG. 3 is a back elevational view thereof;  
FIG. 4 is a right-side elevational view thereof;  
FIG. 5 is a left-side elevational view thereof;  
FIG. 6 is a top plan view thereof;  
FIG. 7 is a bottom plan view thereof; and,  
FIG. 8 is another perspective view showing the detached position of the motorcycle flagpole mount thereof.  
The broken lines in the drawings depict part of the motorcycle flagpole mount that form no part of the claimed design.

**1 Claim, 7 Drawing Sheets**



(56)

**References Cited**

## U.S. PATENT DOCUMENTS

D657,712	S	4/2012	Bigbee	
D662,442	S	6/2012	Ettorre	
8,616,145	B1 *	12/2013	Ferran	..... G09F 21/18 116/28 R
D729,117	S	5/2015	Bishop	
D754,255	S	4/2016	Bigham et al.	
9,454,922	B1 *	9/2016	Norris	..... G09F 17/00
10,210,780	B2	2/2019	Williams, Jr.	
D843,885	S *	3/2019	Jackson	..... D11/166
D856,188	S	8/2019	Caple	
2003/0084835	A1 *	5/2003	Chao	..... G09F 17/00 116/173
2005/0263667	A1 *	12/2005	Fisher	..... B62J 11/00 248/534
2006/0053667	A1 *	3/2006	Andersen	..... G09F 21/04 40/591
2006/0118693	A1	6/2006	Fisher	
2007/0252071	A1 *	11/2007	Huang	..... B62J 11/00 248/539
2008/0084590	A1	4/2008	Mack	
2012/0187166	A1	7/2012	Cook	
2016/0284253	A1 *	9/2016	Williams, Jr.	..... G09F 17/00
2019/0251880	A1 *	8/2019	Klevana	..... G09F 17/00

\* cited by examiner

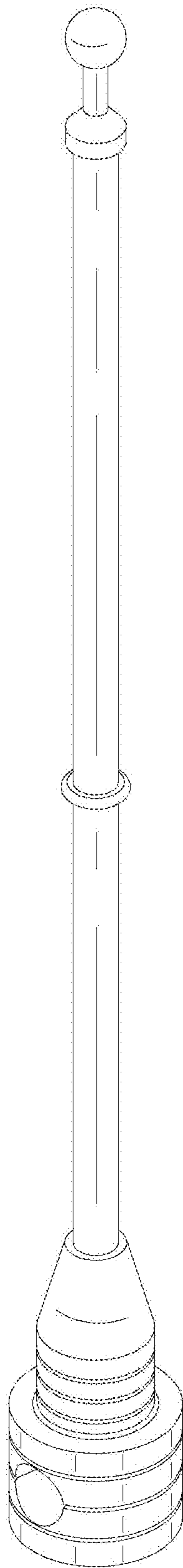


FIG. 1

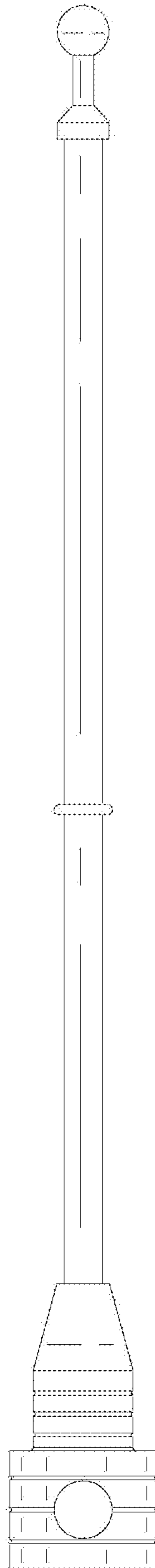


FIG. 2

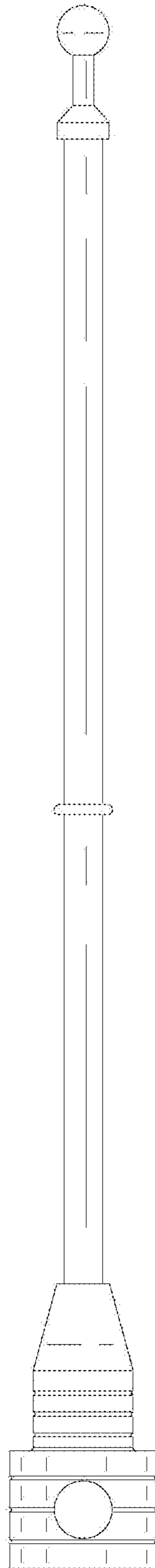


FIG. 3

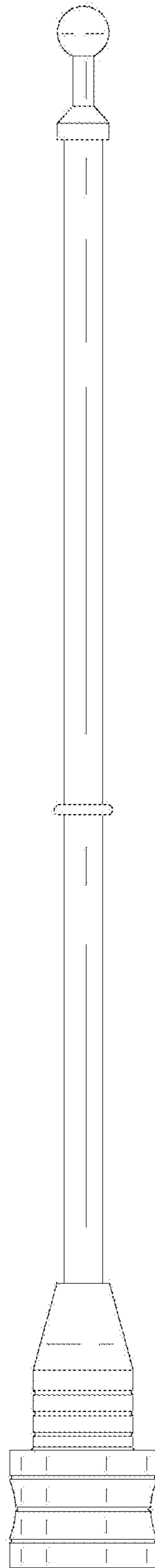


FIG. 4

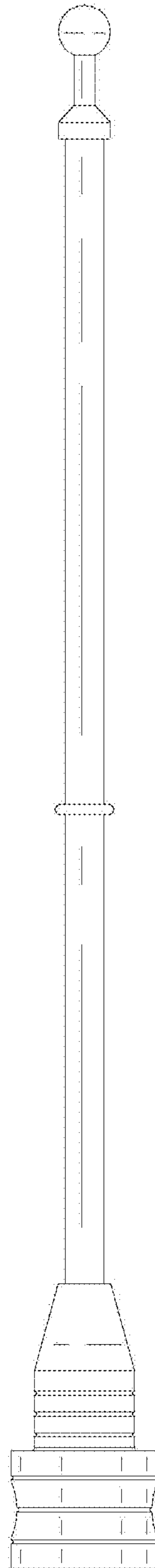


FIG. 5

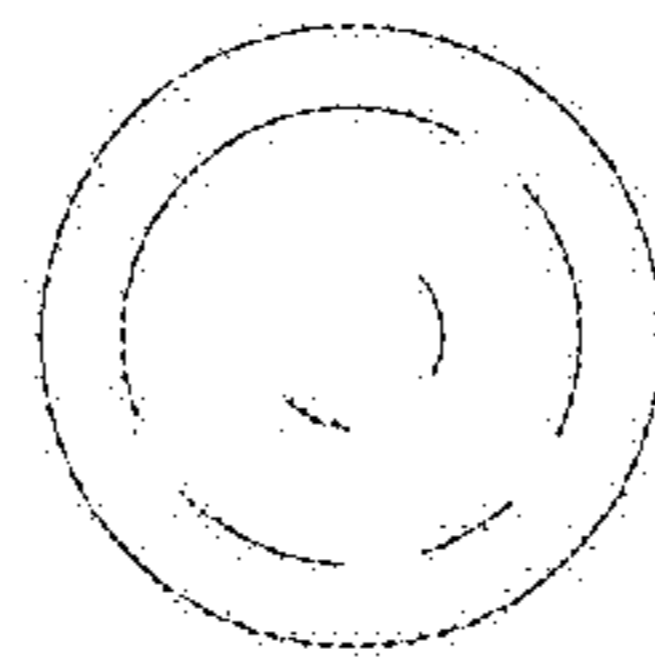


FIG. 6

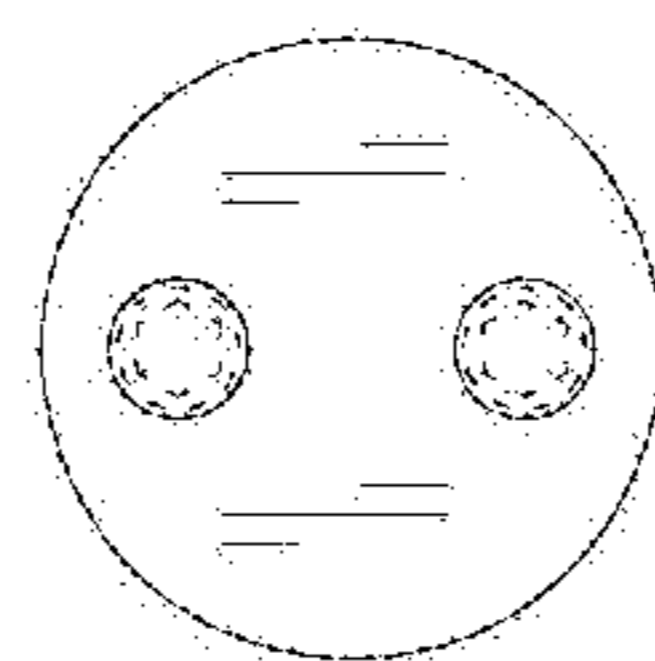


FIG. 7



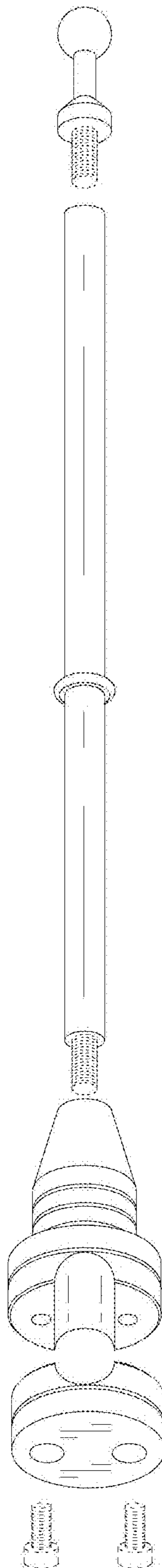


FIG. 8