



US00D942331S

(12) **United States Design Patent** (10) **Patent No.:** **US D942,331 S**  
**Wilburn et al.** (45) **Date of Patent:** **\*\* Feb. 1, 2022**

(54) **PORTABLE BLOWUP UNDERPINNING FOR TRAILERS**

(74) *Attorney, Agent, or Firm* — The Iwashko Law Firm, PLLC; Lev Ivan Gabriel Iwashko

(71) Applicants: **Sandra Wilburn**, Broken Bow, OK (US); **Rex Wilburn**, Broken Bow, OK (US)

(57) **CLAIM**

(72) Inventors: **Sandra Wilburn**, Broken Bow, OK (US); **Rex Wilburn**, Broken Bow, OK (US)

The ornamental design for a portable blowup underpinning for trailers, as shown and described.

(\*\*) Term: **15 Years**

**DESCRIPTION**

(21) Appl. No.: **29/738,419**

(22) Filed: **Jun. 17, 2020**

(51) **LOC (13) Cl.** ..... **12-16**

(52) **U.S. Cl.**

USPC ..... **D12/106**

(58) **Field of Classification Search**

USPC ..... D12/19, 121, 100–106, 111–112; D21/425, 435; D34/21–26, 12, 16–19

CPC .. B62D 35/00; B62D 33/077; B62D 33/0612; B62D 24/04; B60P 3/10; B60P 3/1033; B60P 3/0257; B60P 3/38; B60P 3/34; E01F 15/14

See application file for complete search history.

(56) **References Cited**

**U.S. PATENT DOCUMENTS**

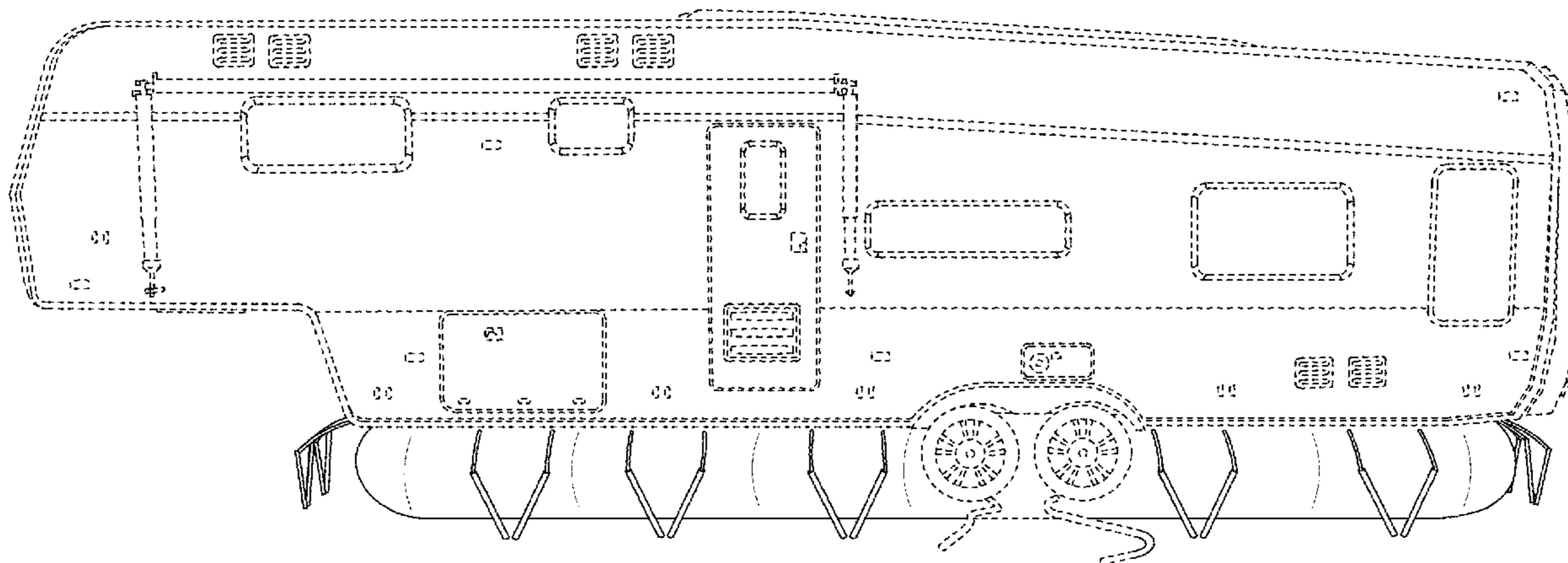
D869,993 S *	12/2019	Sagen	.....	D12/101
D873,720 S *	1/2020	Carter	.....	D12/101
D893,357 S *	8/2020	Butler	.....	D12/101
D924,524 S *	7/2021	Powell	.....	B60P 1/43
				D34/12
D925,154 S *	7/2021	Xing	.....	E21B 43/2607
				D34/17
D927,116 S *	8/2021	Demartini	.....	B60J 7/102
				D34/12
D927,818 S *	8/2021	Li	.....	B60J 7/062
				D34/21
D928,665 S *	8/2021	Williams	.....	D12/101

(Continued)

FIG. 1 is a side perspective view of a portable blowup underpinning in a deflated state showing my new design; FIG. 2 is a rear perspective view thereof in a partially inflated state; FIG. 3 is a rear perspective view thereof in the partially inflated state; FIG. 4 is a side perspective view thereof in a fully inflated state; FIG. 5 is a front perspective view thereof in the fully inflated state; FIG. 6 is a zoomed in view of a portion of the portable blowup underpinning in the deflated state including an air compressor; FIG. 7 is a zoomed in view of a portion of the portable blowup underpinning in the fully inflated state including the air compressor; FIG. 8 is a side perspective view of the portable blowup underpinning including a plurality of trailer securing devices; FIG. 9 is a zoomed in view of a portion of the portable blowup underpinning including a storage portion; FIG. 10 is a side perspective view of the portable blowup underpinning including the plurality of trailer securing devices; and, FIG. 11 is a bottom perspective view thereof. Broken lines are for illustrative purposes only, and form no part of the claimed design.

*Primary Examiner* — Katrina A Betton

**1 Claim, 11 Drawing Sheets**



(56)

**References Cited**

U.S. PATENT DOCUMENTS

D929,067 S \* 8/2021 Kowalski ..... B62D 33/0222  
D34/24  
D930,314 S \* 9/2021 Huang ..... B62D 29/008  
D34/17  
2002/0176749 A1\* 11/2002 Provost ..... E02D 35/00  
405/230  
2006/0001230 A1\* 1/2006 Finch ..... B62K 27/04  
280/204  
2018/0346042 A1\* 12/2018 Elliott ..... B62D 63/08

\* cited by examiner

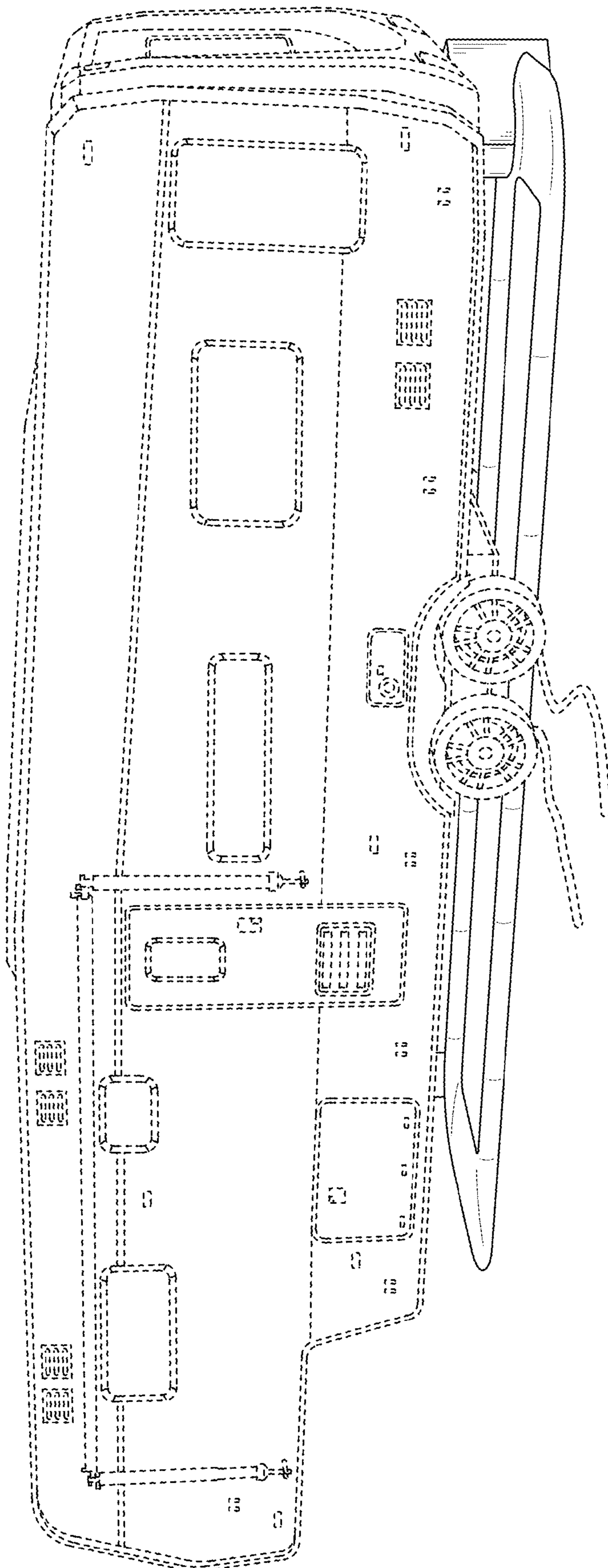


FIG. 1

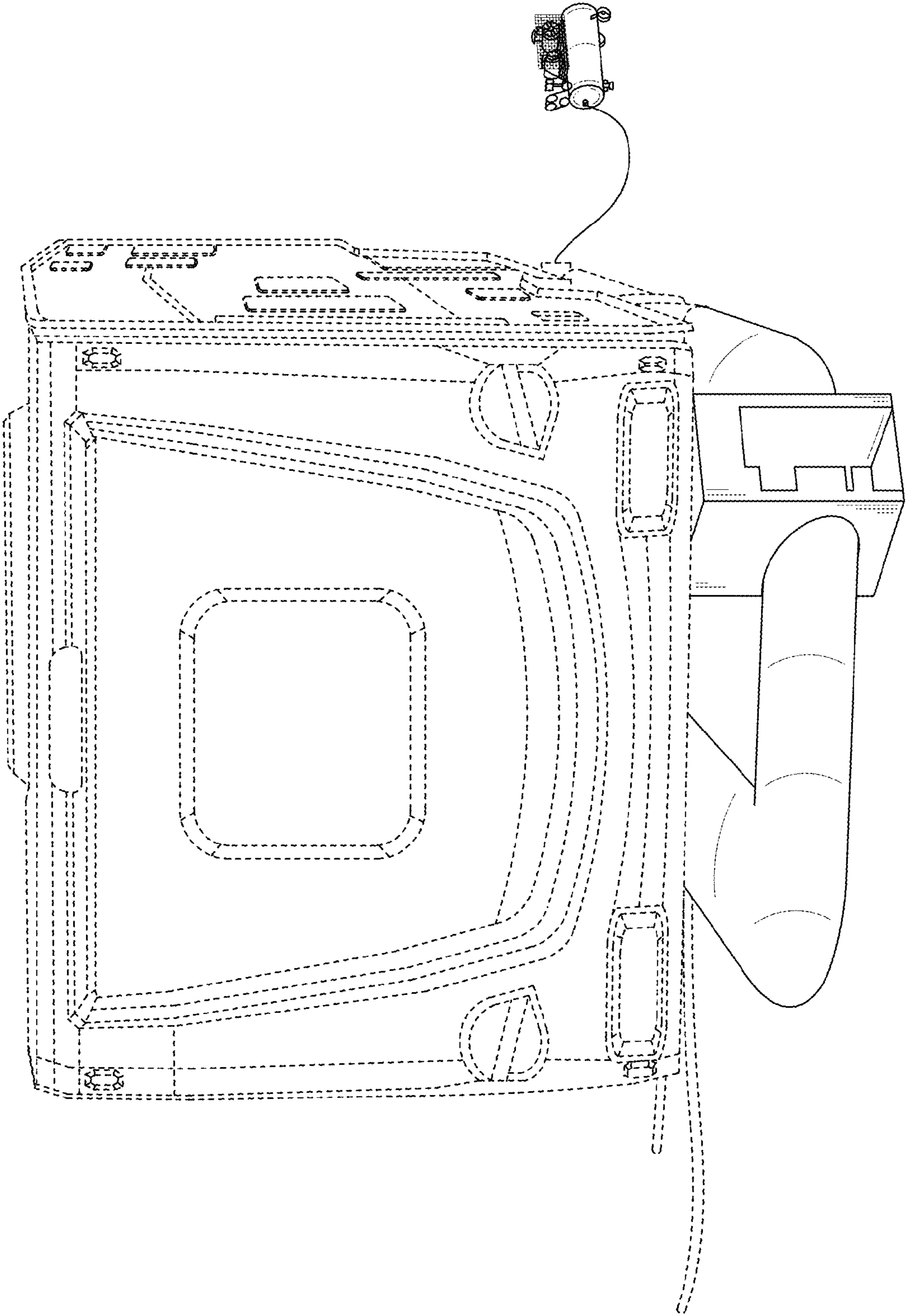


FIG. 2

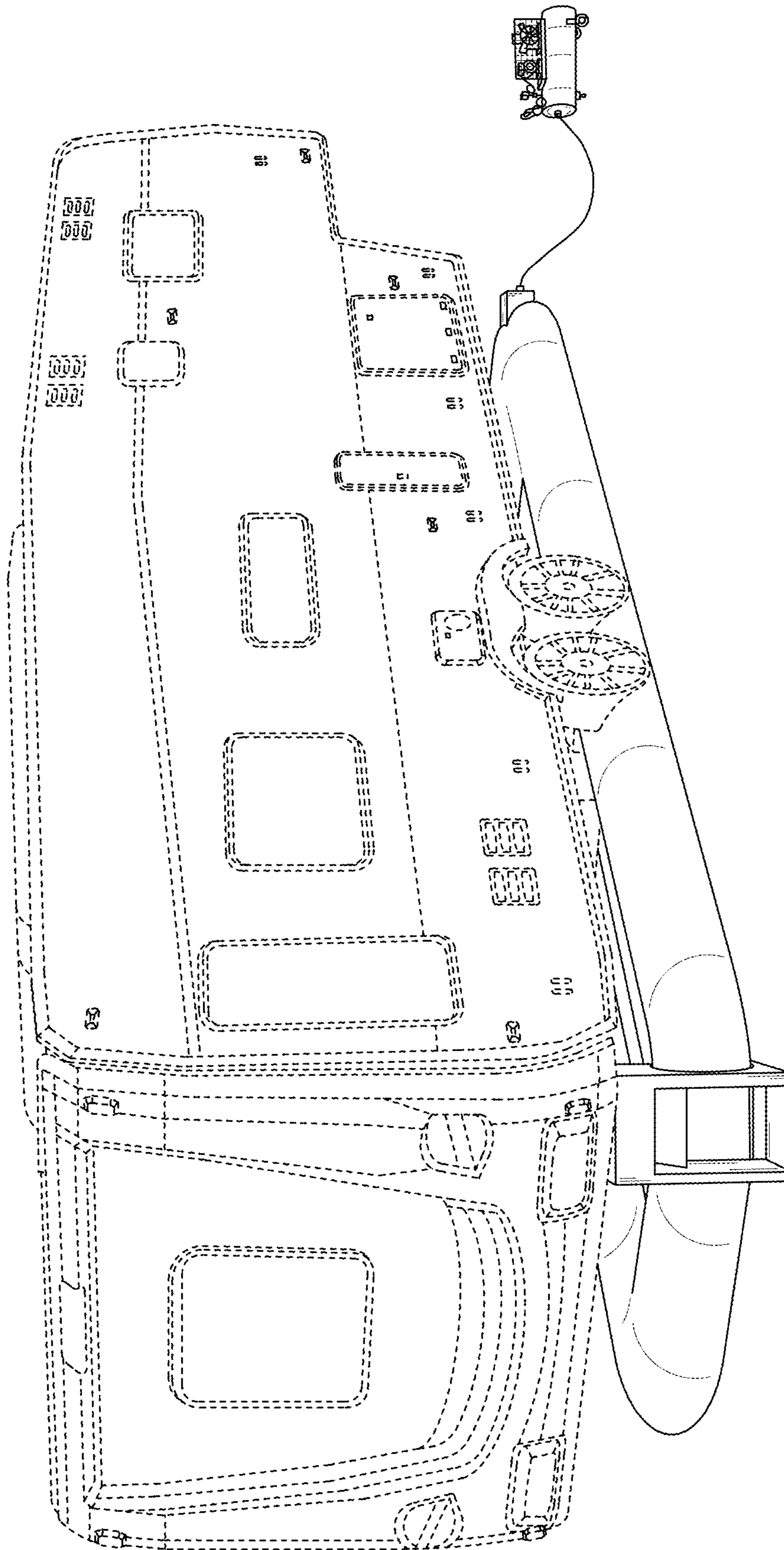


FIG. 3

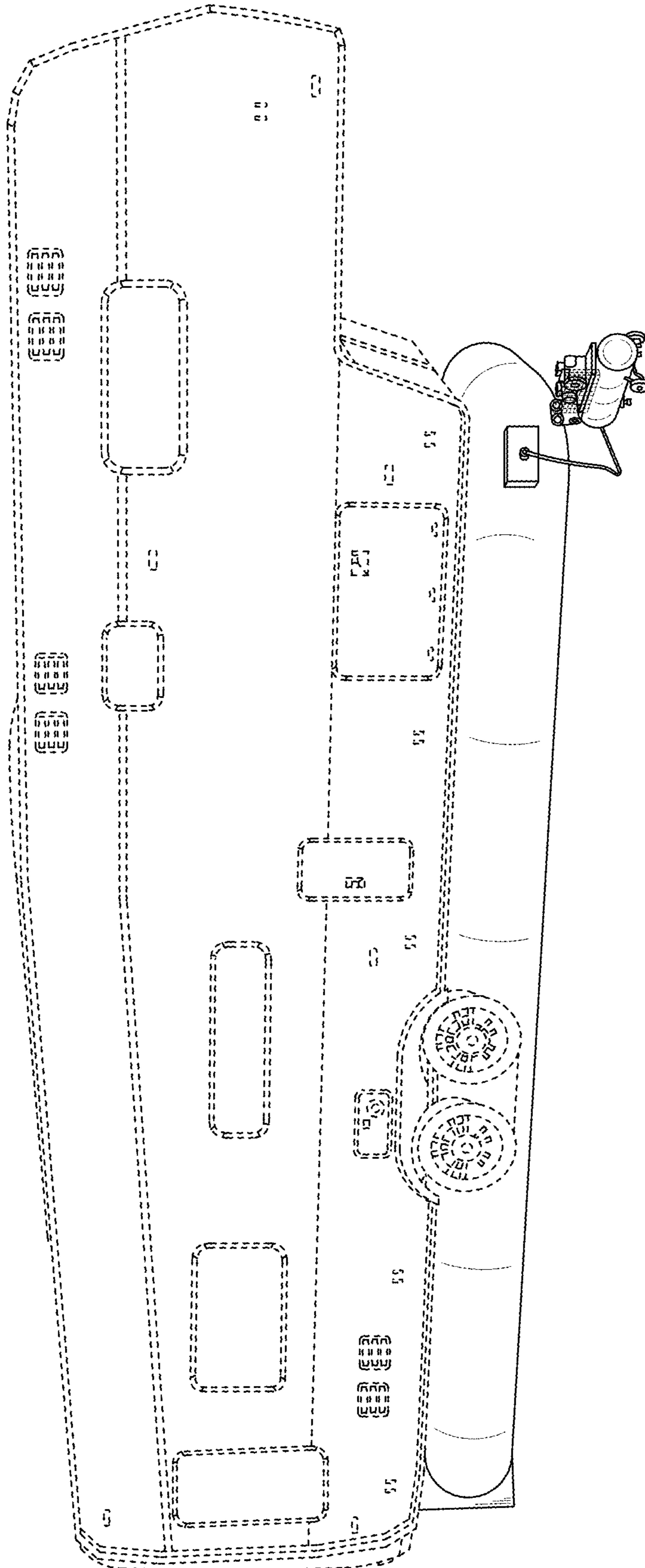


FIG. 4

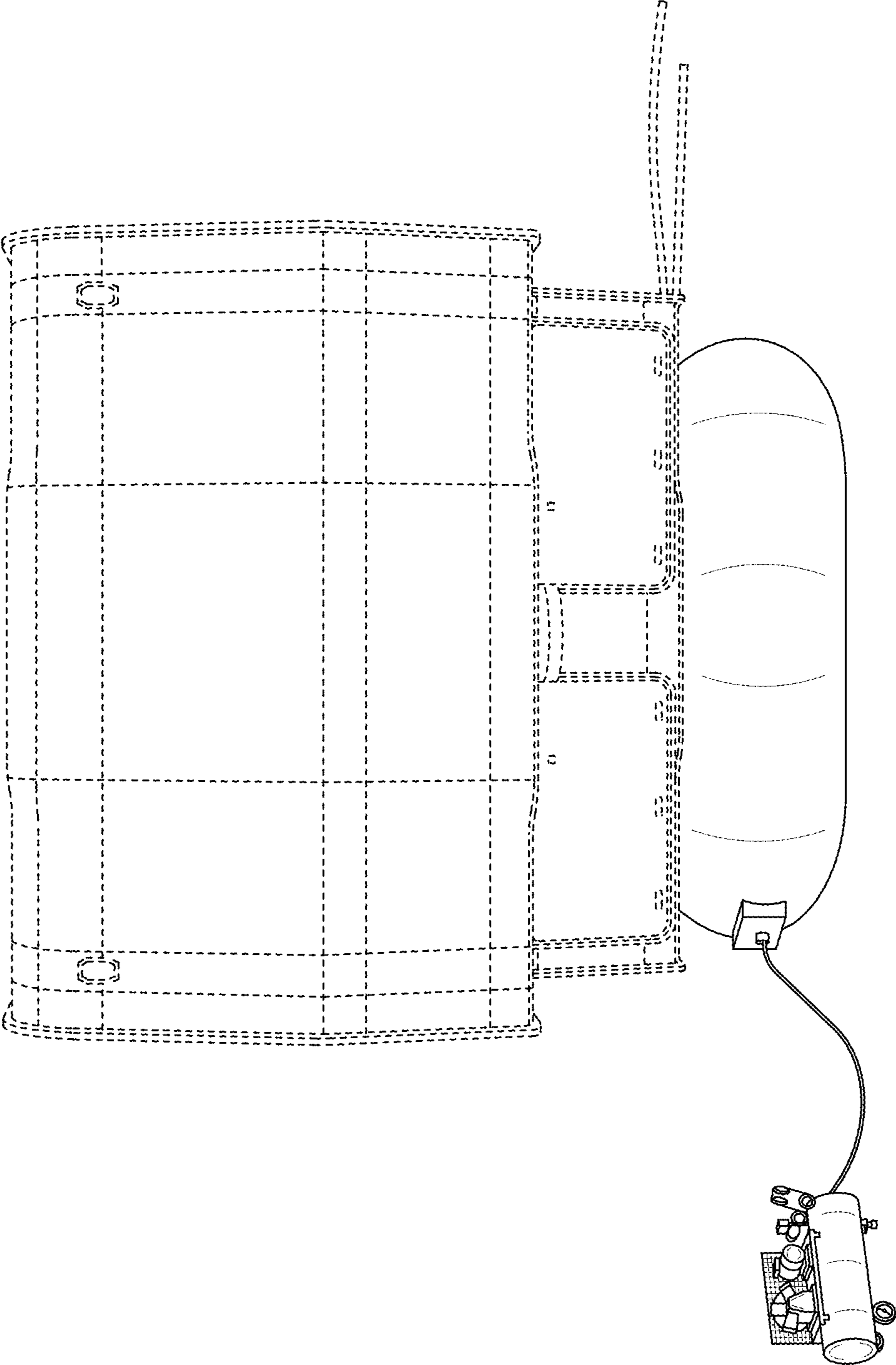


FIG. 5

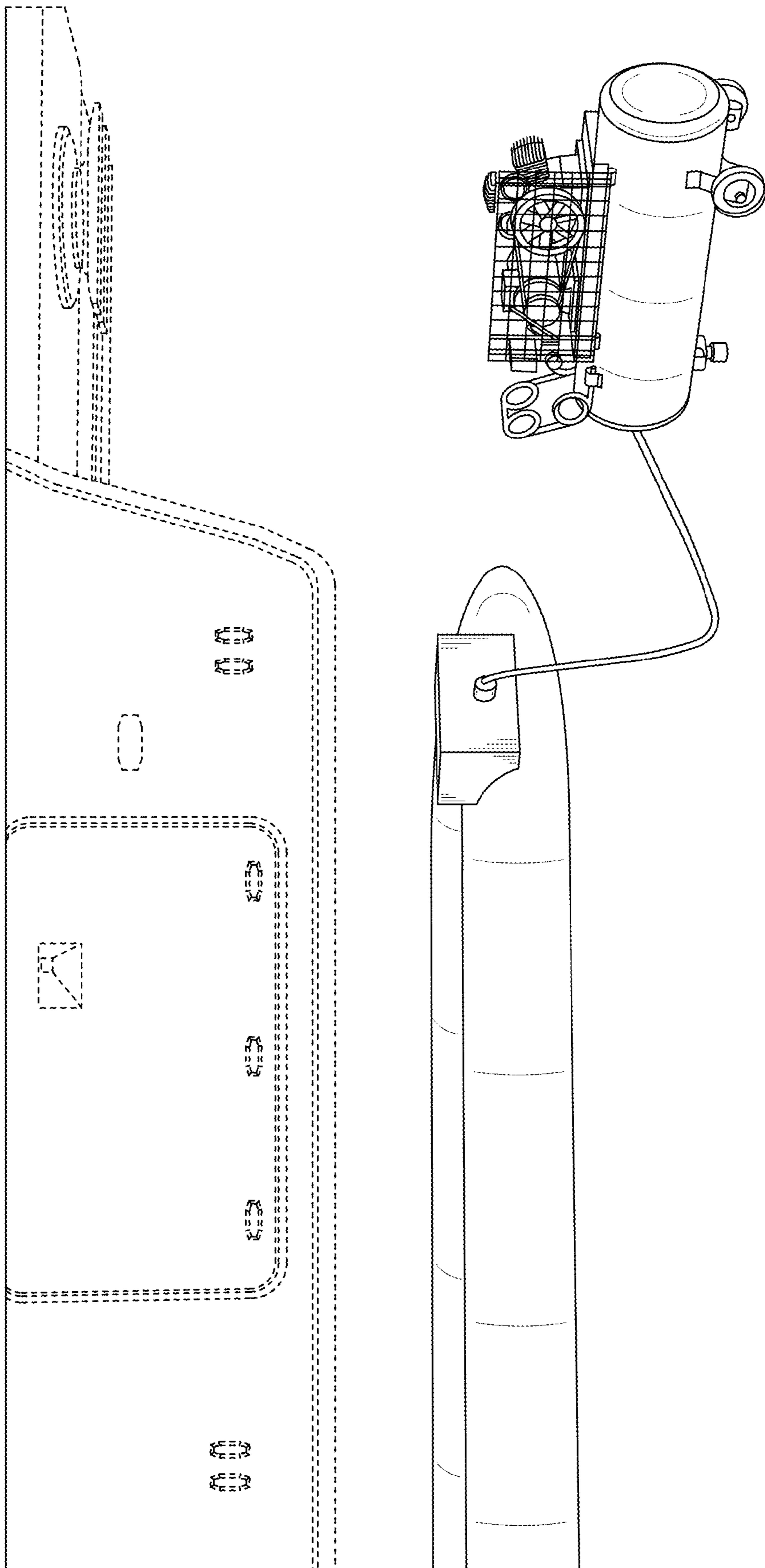


FIG. 6



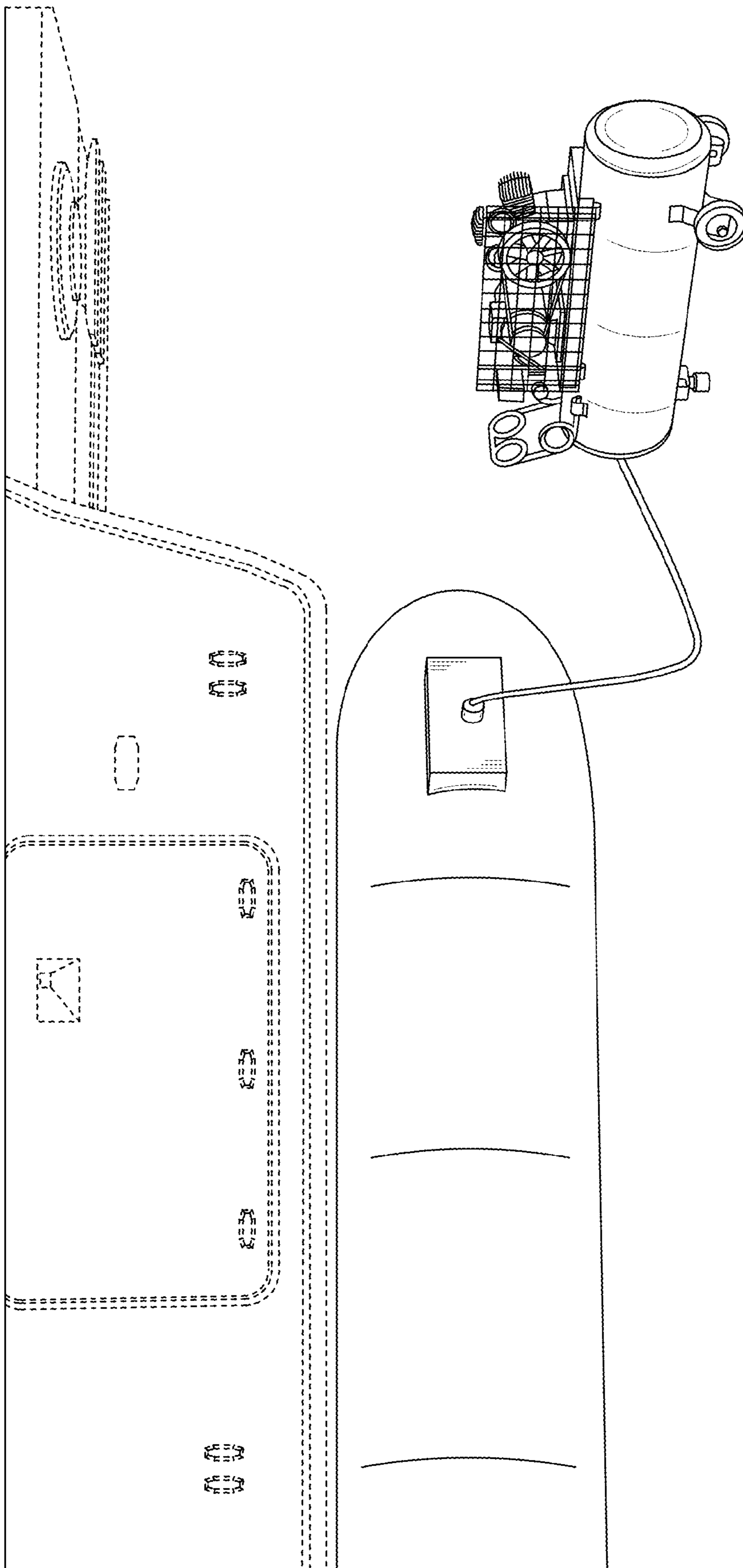


FIG. 7

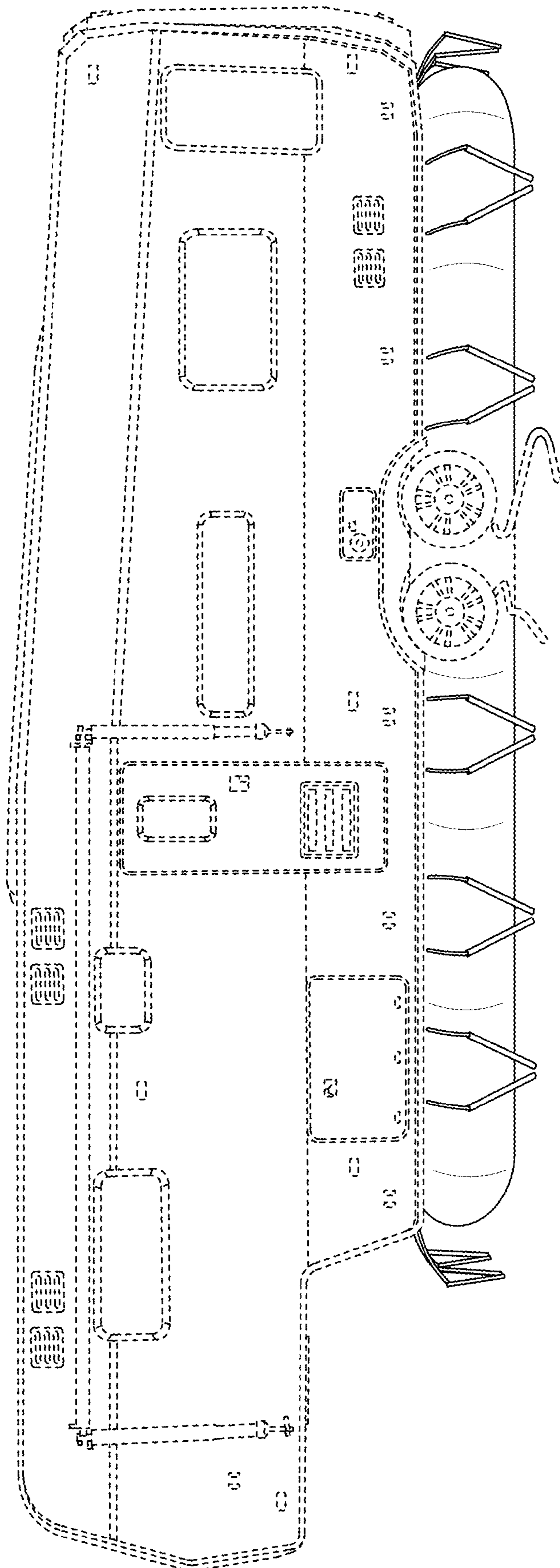


FIG. 8

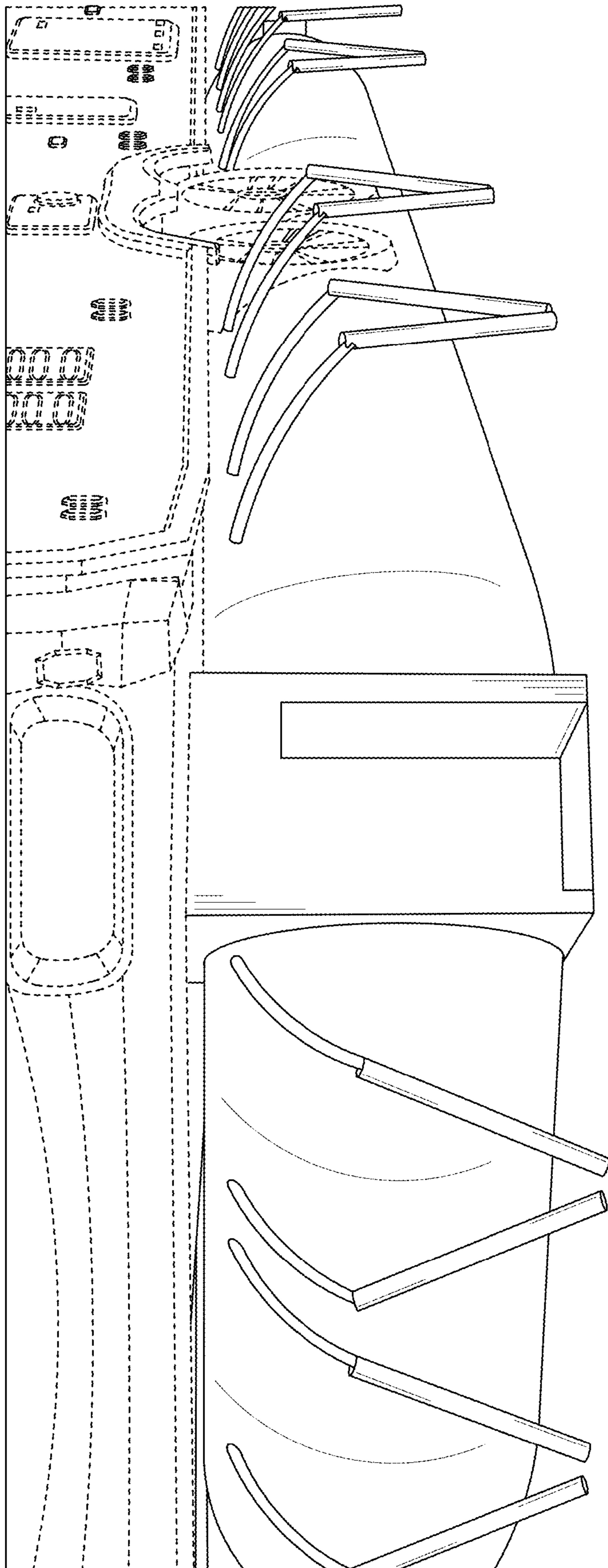


FIG. 9

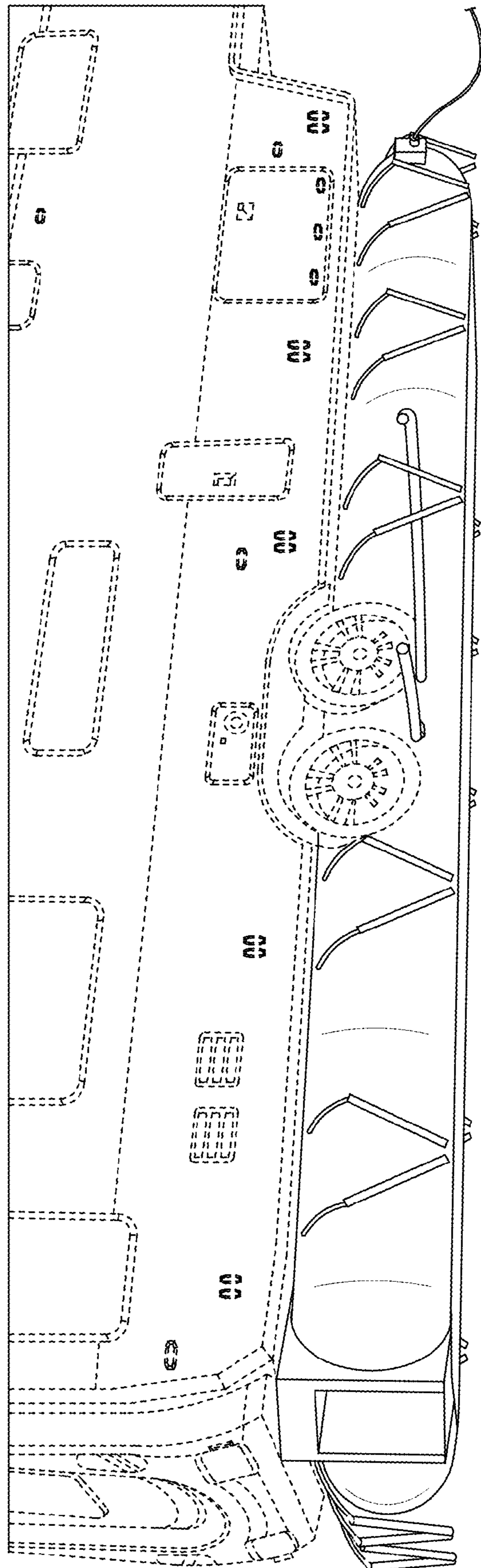


FIG. 10

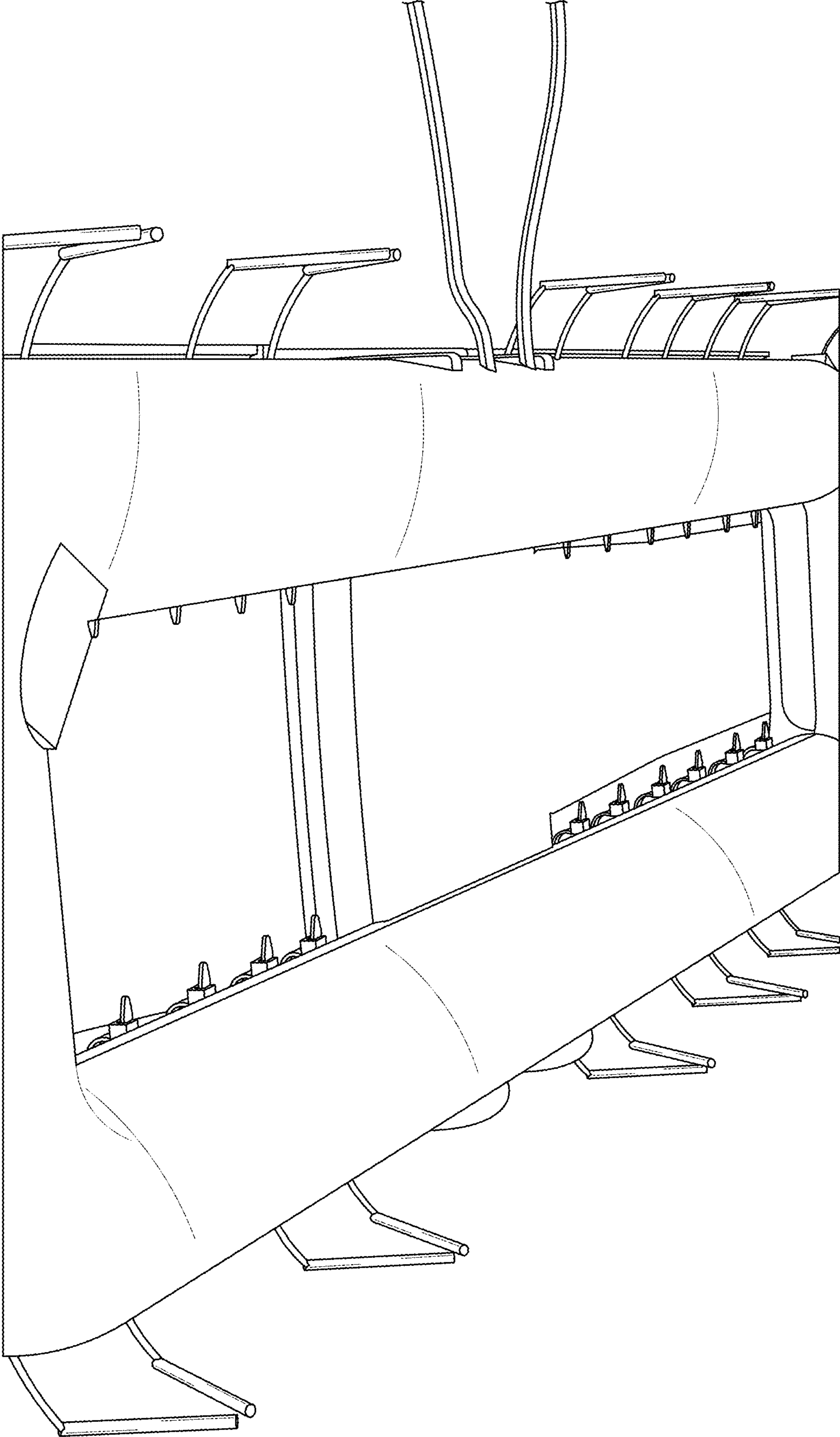


FIG. 11