



US00D942330S

(12) **United States Design Patent**
DeVine et al.

(10) **Patent No.:** **US D942,330 S**

(45) **Date of Patent:** **** Feb. 1, 2022**

(54) **TRAVEL TRAILER**

(71) Applicant: **Thor Tech, Inc.**, Elkhart, IN (US)

(72) Inventors: **James Jack Owen DeVine**, Jackson Center, OH (US); **Robert Hance**, Elkhart, IN (US)

(73) Assignee: **Thor Tech, Inc.**, Elkhart, IN (US)

(**) Term: **15 Years**

(21) Appl. No.: **29/747,571**

(22) Filed: **Aug. 24, 2020**

(51) **LOC (13) Cl.** **12-16**

(52) **U.S. Cl.**
USPC **D12/103**

(58) **Field of Classification Search**
USPC D12/19, 121, 100–106, 111–112;
D21/425, 435; D34/21–26, 12, 16–19
CPC .. B62D 35/00; B62D 33/077; B62D 33/0612;
B62D 24/04; B60P 3/10; B60P 3/1033;
B60P 3/0257; B60P 3/38; B60P 3/34;
E01F 15/14

See application file for complete search history.

D603,299 S 11/2009 Prusmack
D617,685 S * 6/2010 Rodabaugh D12/103
7,795,837 B1 9/2010 Haun
D625,666 S 10/2010 Treleven
D633,010 S 2/2011 Hixson
D653,588 S 2/2012 Heard
D659,595 S 5/2012 Eliason
8,193,760 B2 6/2012 Wagnon
D664,072 S 7/2012 Halloran
D689,401 S 9/2013 Calderon
D689,402 S * 9/2013 Lee D12/103
D690,621 S 10/2013 Rose
D691,925 S 10/2013 Hindle
D700,111 S 2/2014 Pacholyk
D707,591 S * 6/2014 Sands D12/103
D716,701 S 11/2014 Beelman
D737,725 S 9/2015 Bell
9,184,628 B2 11/2015 Carpoﬀ
D759,546 S 6/2016 Van Wyk
D759,547 S 6/2016 Van Wyk

(Continued)

Primary Examiner — Katrina A Betton

(74) *Attorney, Agent, or Firm* — Dinsmore & Shohl LLP

(57) **CLAIM**

The ornamental design for a travel trailer, as shown and described.

DESCRIPTION

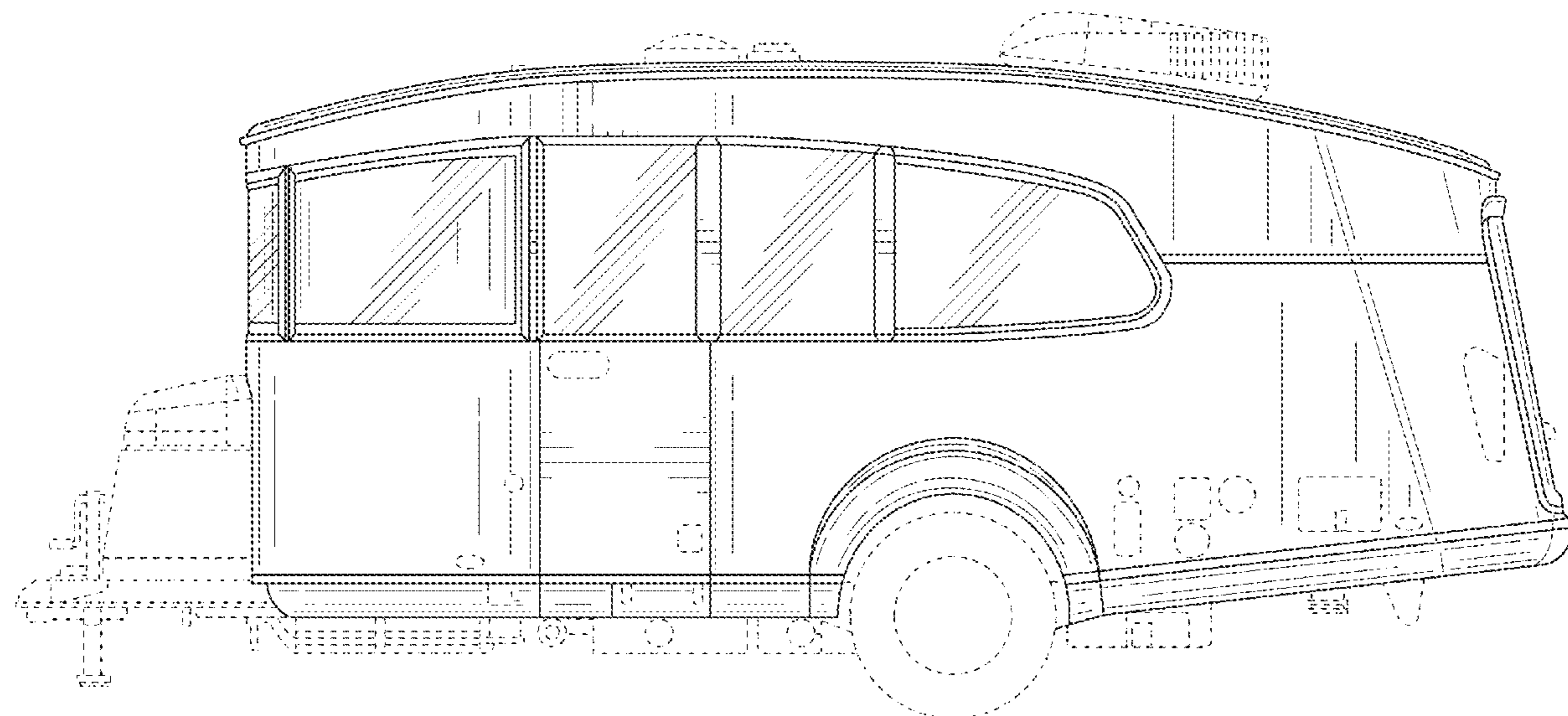
FIG. 1 is a front perspective view of a travel trailer illustrating our new design;
FIG. 2 is a rear perspective view of the design of FIG. 1;
FIG. 3 is a front view of the design of FIG. 1;
FIG. 4 is rear view of the design of FIG. 1;
FIG. 5 is a side view of the design of FIG. 1;
FIG. 6 is another side view of the design of FIG. 1;
FIG. 7 is a top view of the design of FIG. 1; and,
FIG. 8 is a bottom view of the design of FIG. 1.
The broken lines represent portions of the structure that form no part of the claim.

1 Claim, 7 Drawing Sheets

(56) **References Cited**

U.S. PATENT DOCUMENTS

D309,124 S 7/1990 Young
D349,429 S 8/1994 Morehead
D357,214 S 4/1995 McCaffrey
D378,583 S 3/1997 Aitken
D389,785 S 1/1998 Guzak
D391,526 S 3/1998 Kass et al.
5,938,261 A 8/1999 Faba
D443,561 S 6/2001 Voogt
D510,545 S 10/2005 Riegel et al.
D543,902 S * 6/2007 Kelly D12/103
D568,793 S * 5/2008 Oliver D12/103
D580,071 S 11/2008 Evans et al.



(56)

References Cited

U.S. PATENT DOCUMENTS

D759,548 S	6/2016	Swartz	
D764,354 S	8/2016	Riquer-Gonzalez	
D782,938 S	4/2017	Cohen et al.	
9,751,446 B2	9/2017	Hixson	
D813,101 S *	3/2018	Devine	D12/102
D852,676 S *	7/2019	Roberts	D12/103
D854,453 S *	7/2019	Roberts	D12/103
D864,033 S *	10/2019	Devine	D12/102
D864,791 S *	10/2019	Roberts	D12/103
D886,682 S *	6/2020	Matthews	D12/103
D898,624 S *	10/2020	Aplin	D12/103
2008/0265617 A1	10/2008	Davidson	
2009/0288698 A1	11/2009	Chen	

* cited by examiner

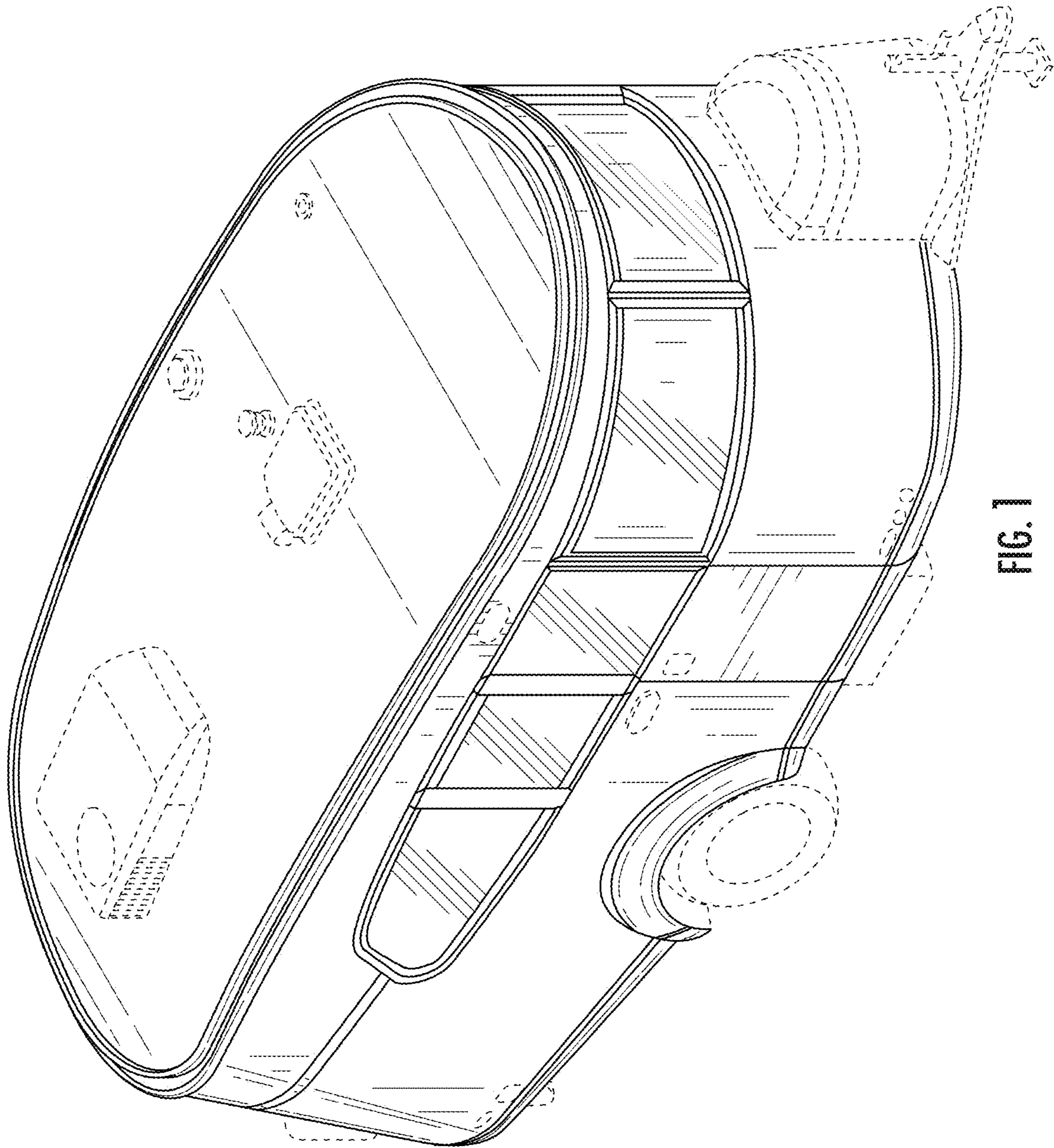


FIG. 1

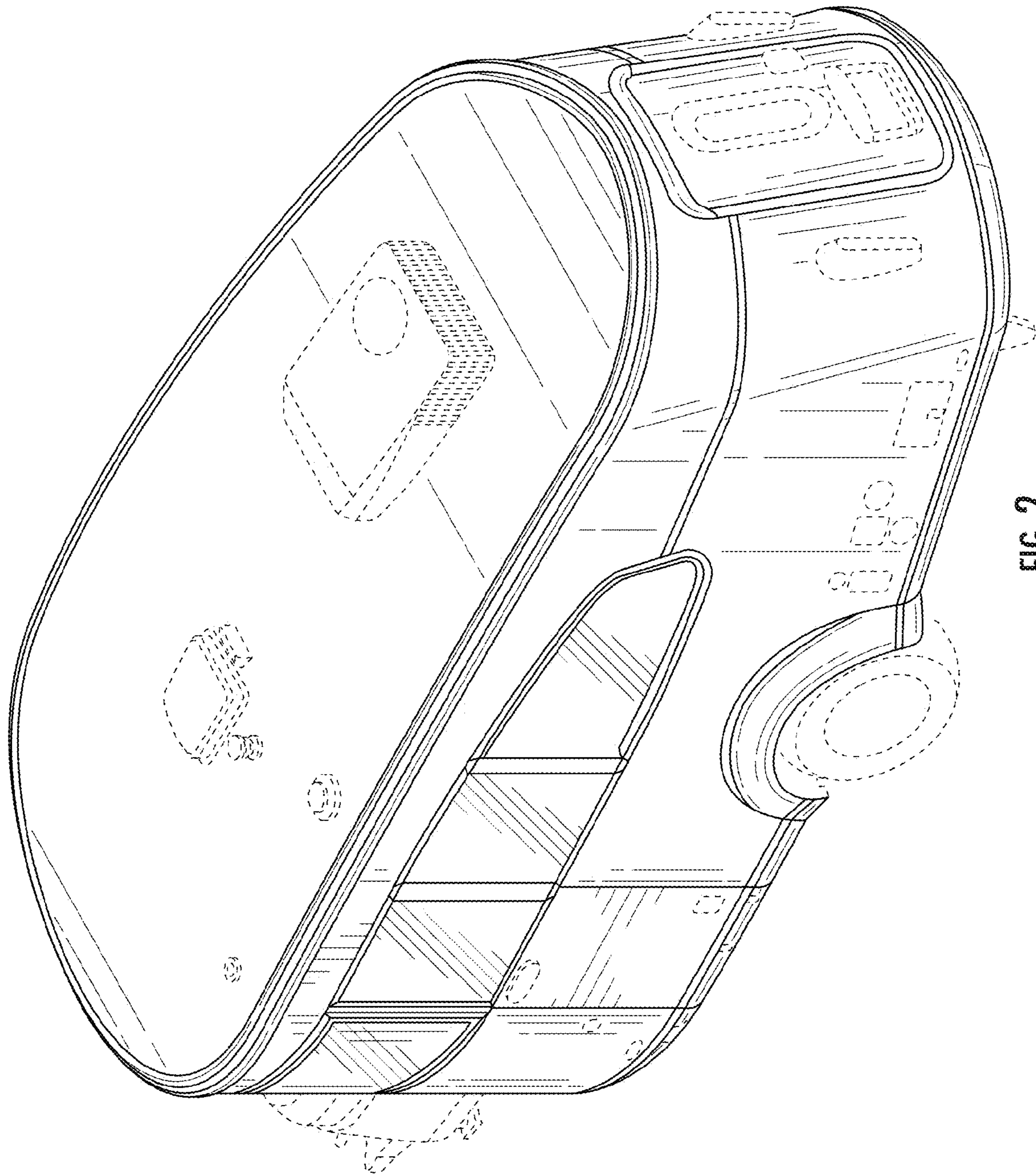


FIG. 2

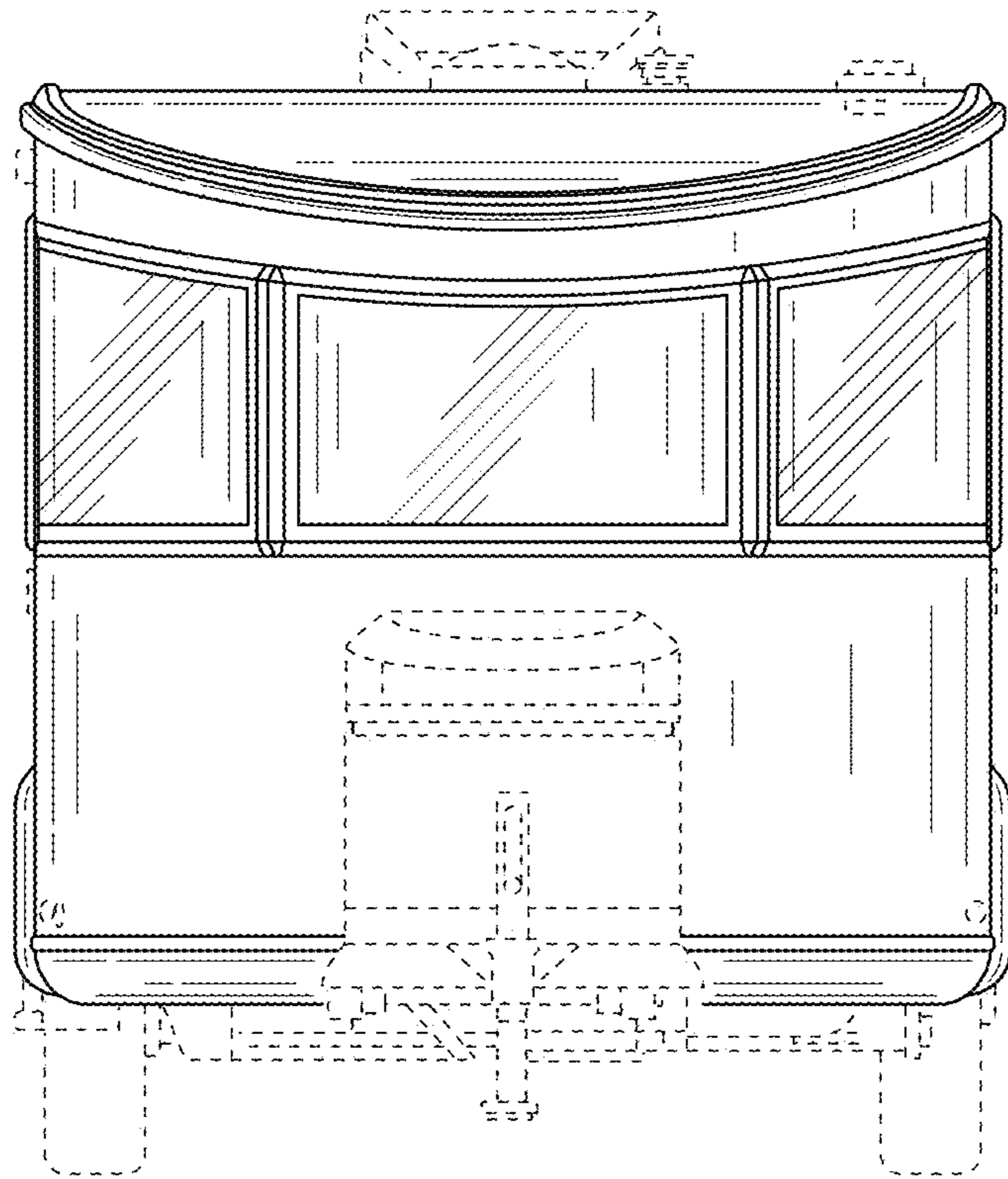


FIG. 3

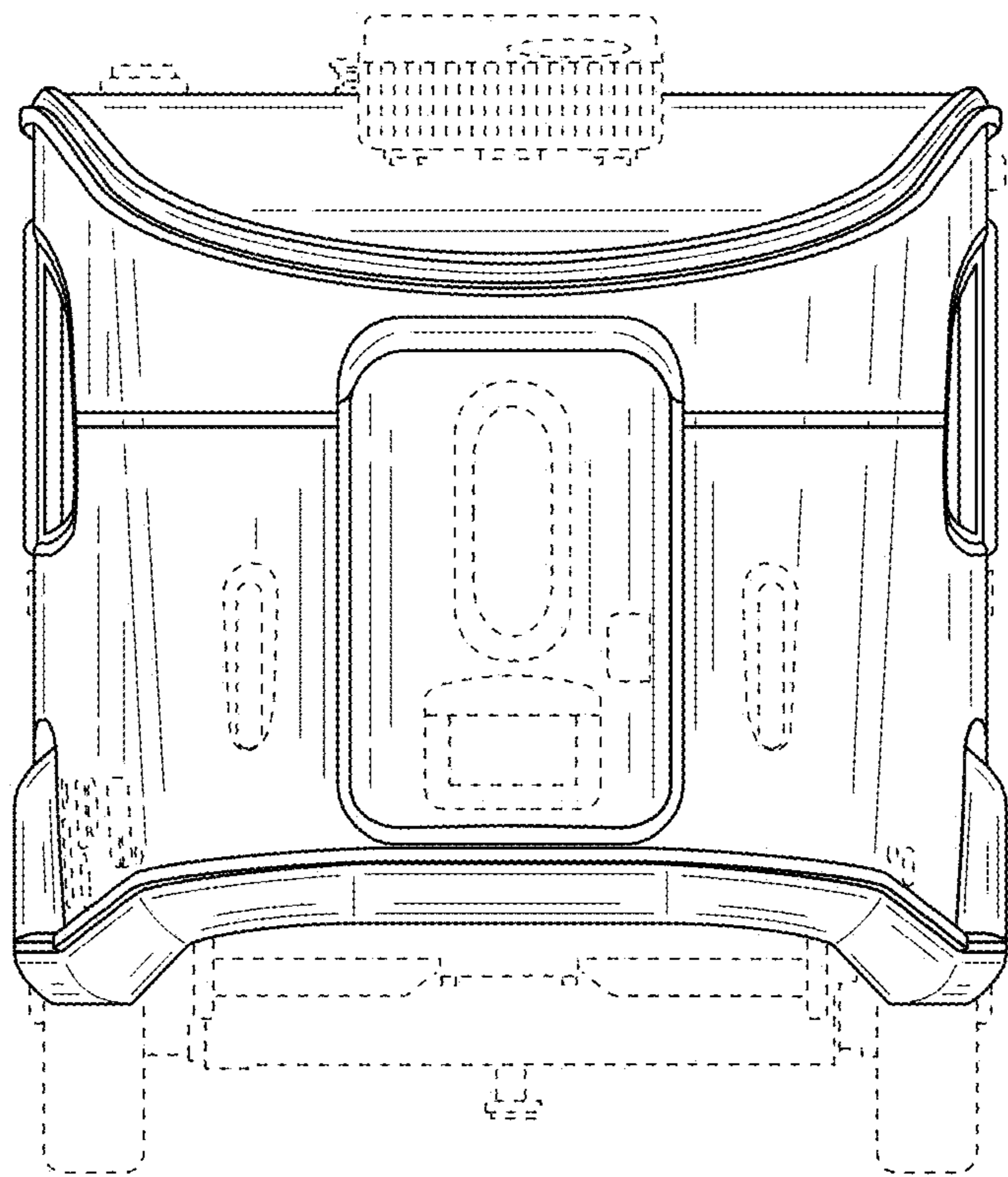


FIG. 4

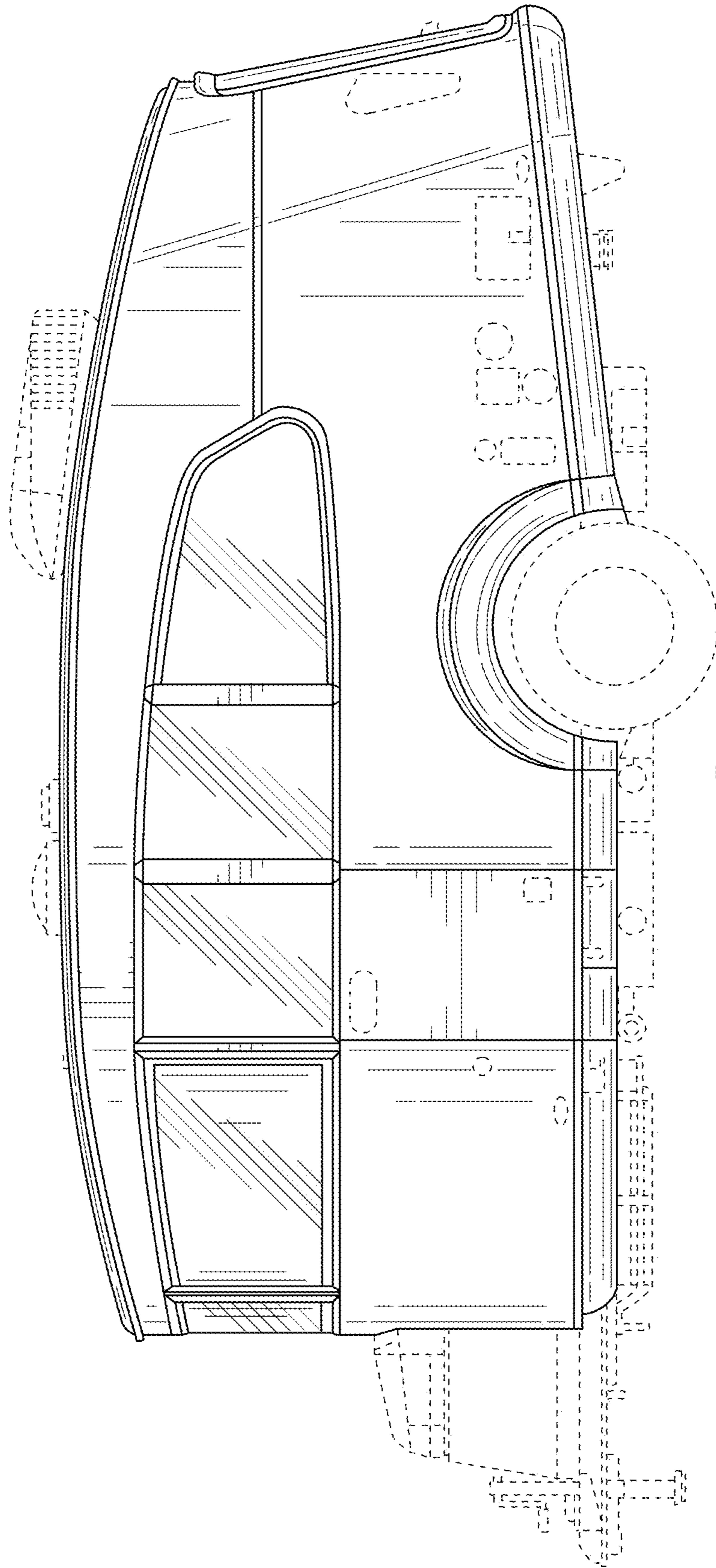


FIG. 5

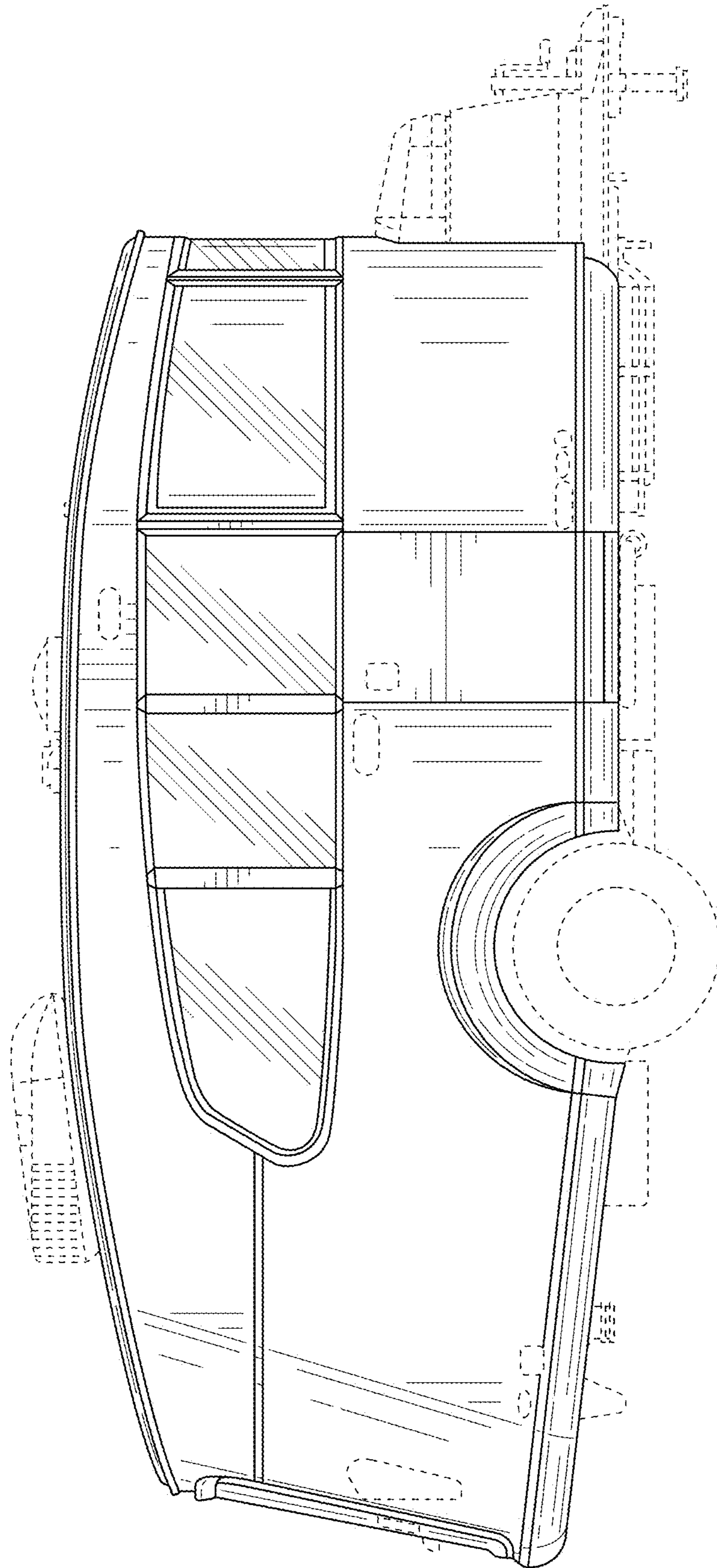


FIG. 6

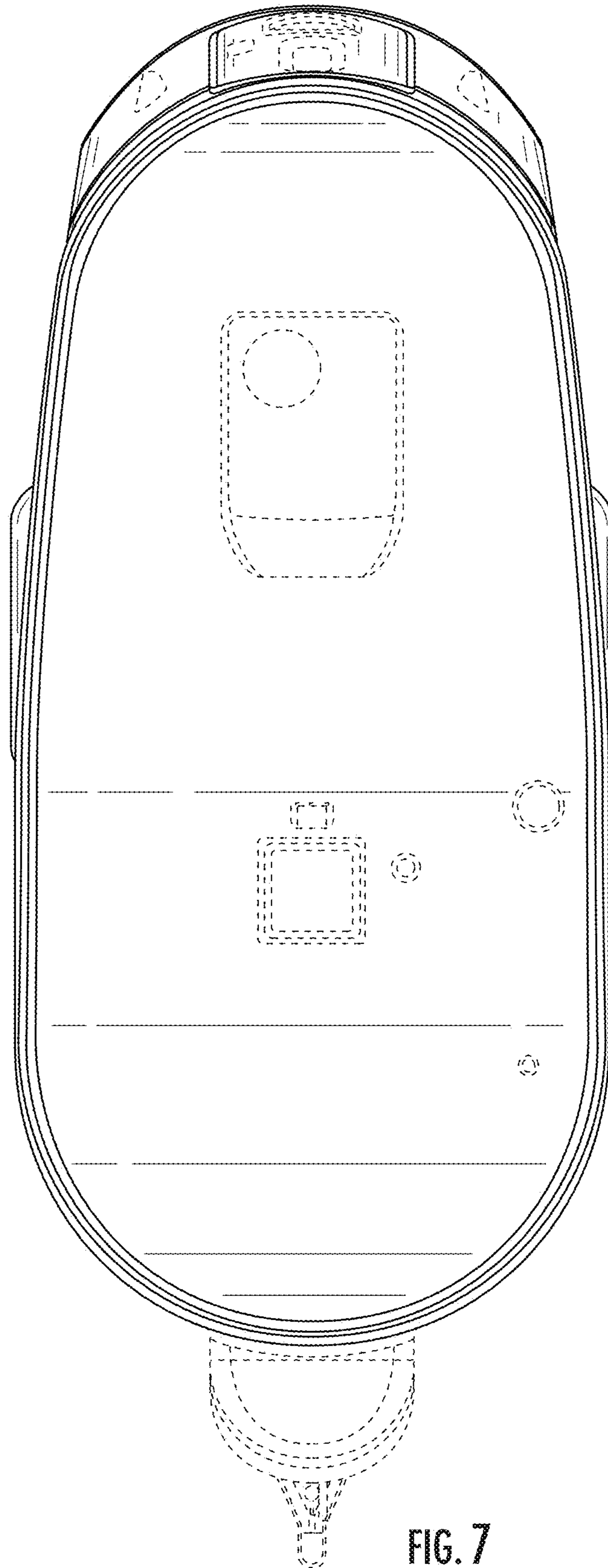


FIG. 7

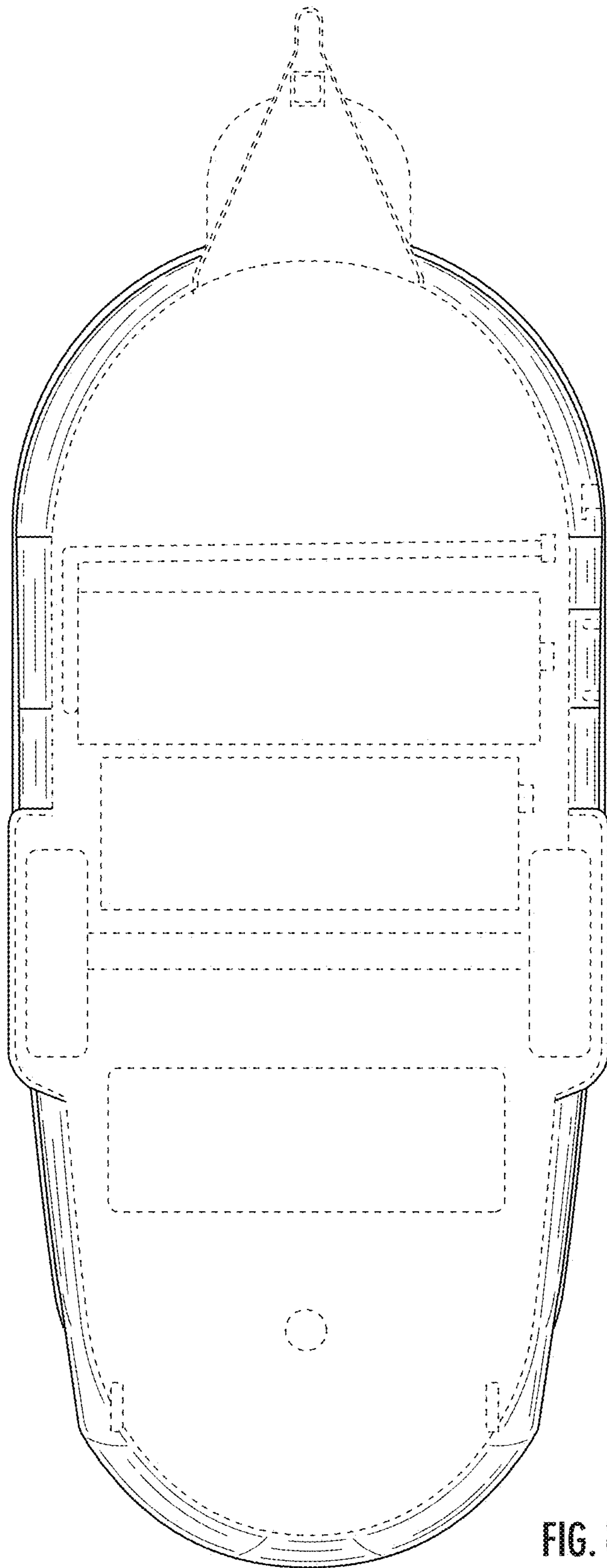


FIG. 8