



US00D942329S

(12) **United States Design Patent**
Thompson

(10) **Patent No.:** **US D942,329 S**
(45) **Date of Patent:** **** Feb. 1, 2022**

(54) **RETRACTABLE AWNING AND ROOM COMBINATION**

(71) Applicant: **Carefree/Scott Fetzer Company**,
Broomfield, CO (US)

(72) Inventor: **Scott Thompson**, Aspen, CO (US)

(73) Assignee: **Carefree/Scott Fetzer Company**,
Bloomfield, CO (US)

(**) Term: **15 Years**

(21) Appl. No.: **29/651,113**

(22) Filed: **May 15, 2020**

(51) **LOC (13) Cl.** **12-16**

(52) **U.S. Cl.**
USPC **D12/103**

(58) **Field of Classification Search**
USPC D12/19, 121, 100-106, 111-112;
D21/425, 435; D34/21-26, 12, 16-19
(Continued)

(56) **References Cited**

U.S. PATENT DOCUMENTS

D543,902 S * 6/2007 Kelly D12/103
D568,793 S * 5/2008 Oliver D12/103
(Continued)

Primary Examiner — Katrina A Betton

(74) *Attorney, Agent, or Firm* — Tarolli, Sundheim,
Covell & Tummino LLP; John A. Yirga. Esq.

(57) **CLAIM**

The ornamental design for a retractable awning and room combination, as shown and described.

DESCRIPTION

FIG. 1 is an upper-right perspective view illustrating my ornamental design comprising a retractable awning and room combination in accordance with a first embodiment;

FIG. 2 is an upper-left perspective view thereof;
FIG. 3 is a first lower-right perspective view thereof;
FIG. 4 is a second lower-right perspective view thereof;
FIG. 5 is a rear elevation view thereof;
FIG. 6 is a front elevation view thereof;
FIG. 7 is a top plan view thereof;
FIG. 8 is a bottom plan view thereof;
FIG. 9 is a right-side elevation view thereof; and
FIG. 10 is a left-side elevation view thereof.
FIG. 11 is an upper-right perspective view illustrating my ornamental design comprising a retractable awning and room combination in accordance with a second embodiment;
FIG. 12 is an upper-left perspective view thereof;
FIG. 13 is a lower-left perspective view thereof;
FIG. 14 is a lower-right perspective view thereof;
FIG. 15 is a rear elevation view thereof;
FIG. 16 is a front elevation view thereof;
FIG. 17 is a top plan view thereof;
FIG. 18 is a bottom plan view thereof;
FIG. 19 is a right-side elevation view thereof; and
FIG. 20 is a left-side elevation view thereof.
FIG. 21 is an upper-right perspective view illustrating my ornamental design comprising a retractable awning and room combination in accordance with a third embodiment;
FIG. 22 is an upper-left perspective view thereof;
FIG. 23 is a lower-right perspective view thereof;
FIG. 24 is a lower-left perspective view thereof;
FIG. 25 is a rear elevation view thereof;
FIG. 26 is a front elevation view thereof;
FIG. 27 is a top plan view thereof;
FIG. 28 is a bottom plan view thereof;
FIG. 29 is a right-side elevation view thereof; and
FIG. 30 is a left-side elevation view thereof.
FIG. 31 is an upper-right perspective view illustrating my ornamental design comprising a retractable awning and room combination in accordance with a fourth embodiment;
FIG. 32 is an upper-left perspective view thereof;
FIG. 33 is a first lower-left perspective view thereof;
FIG. 34 is a second lower-left perspective view thereof;
FIG. 35 is a front elevation view thereof;
FIG. 36 is a rear elevation view thereof;
FIG. 37 is a top plan view thereof;
FIG. 38 is a bottom plan view thereof;

(Continued)

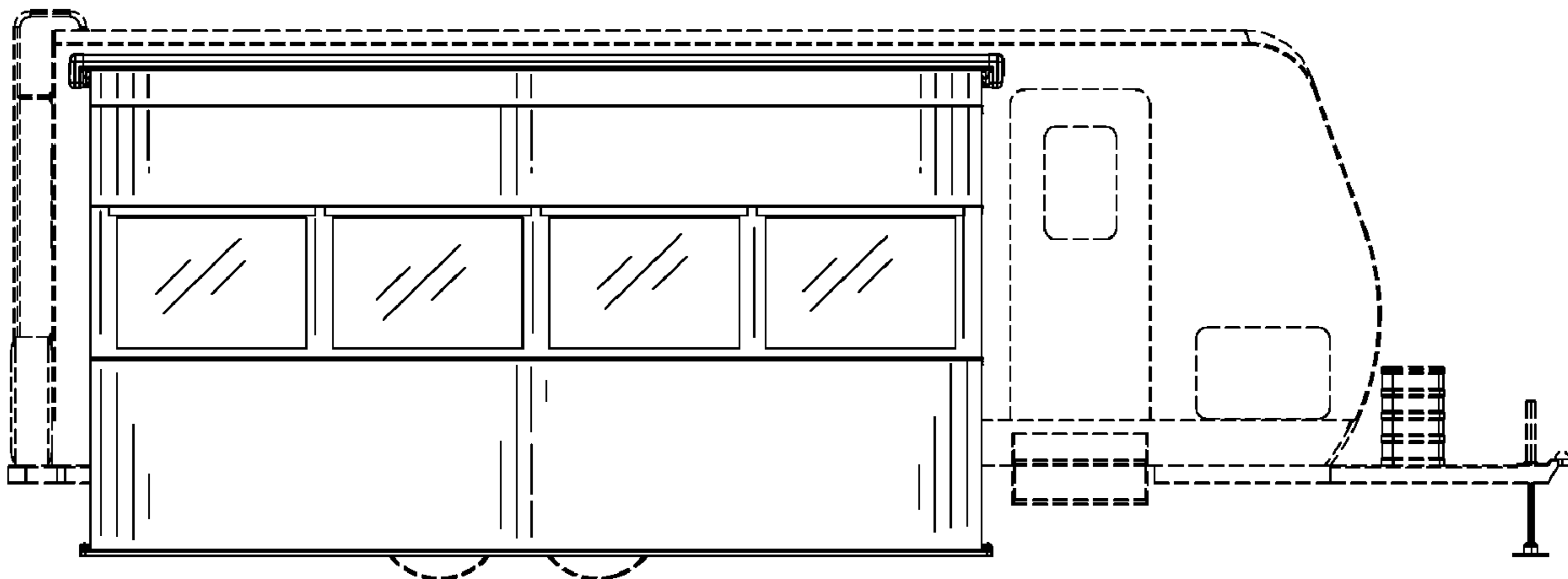


FIG. 39 is a right-side elevation view thereof; and,
FIG. 40 is a left-side elevation view thereof.
In the drawings, the broken lines depict environmental
subject matter only and form no part of the claimed design.

1 Claim, 28 Drawing Sheets

(58) **Field of Classification Search**

CPC .. B62D 35/00; B62D 33/077; B62D 33/0612;
B62D 24/04; B60P 3/10; B60P 3/1033;
B60P 3/0257; B60P 3/38; B60P 3/34;
E01F 15/14

See application file for complete search history.

(56) **References Cited**

U.S. PATENT DOCUMENTS

D864,036 S * 10/2019 Hill D12/103
D864,037 S * 10/2019 Hill D12/103
D868,633 S * 12/2019 Krenelka D12/102
D893,396 S * 8/2020 Fidler D12/404
D922,908 S * 6/2021 Amade D12/102
2017/0138056 A1 * 5/2017 Albertson E04F 10/0685
2018/0313090 A1 * 11/2018 Meyers E04F 10/0625
2018/0370415 A1 * 12/2018 Mathiasen E04H 15/08
2019/0242136 A1 * 8/2019 Shargani E04B 1/34357
2019/0386606 A1 * 12/2019 Raghunathan E04F 10/08
2021/0278758 A1 * 9/2021 Kalil G03B 21/58

* cited by examiner

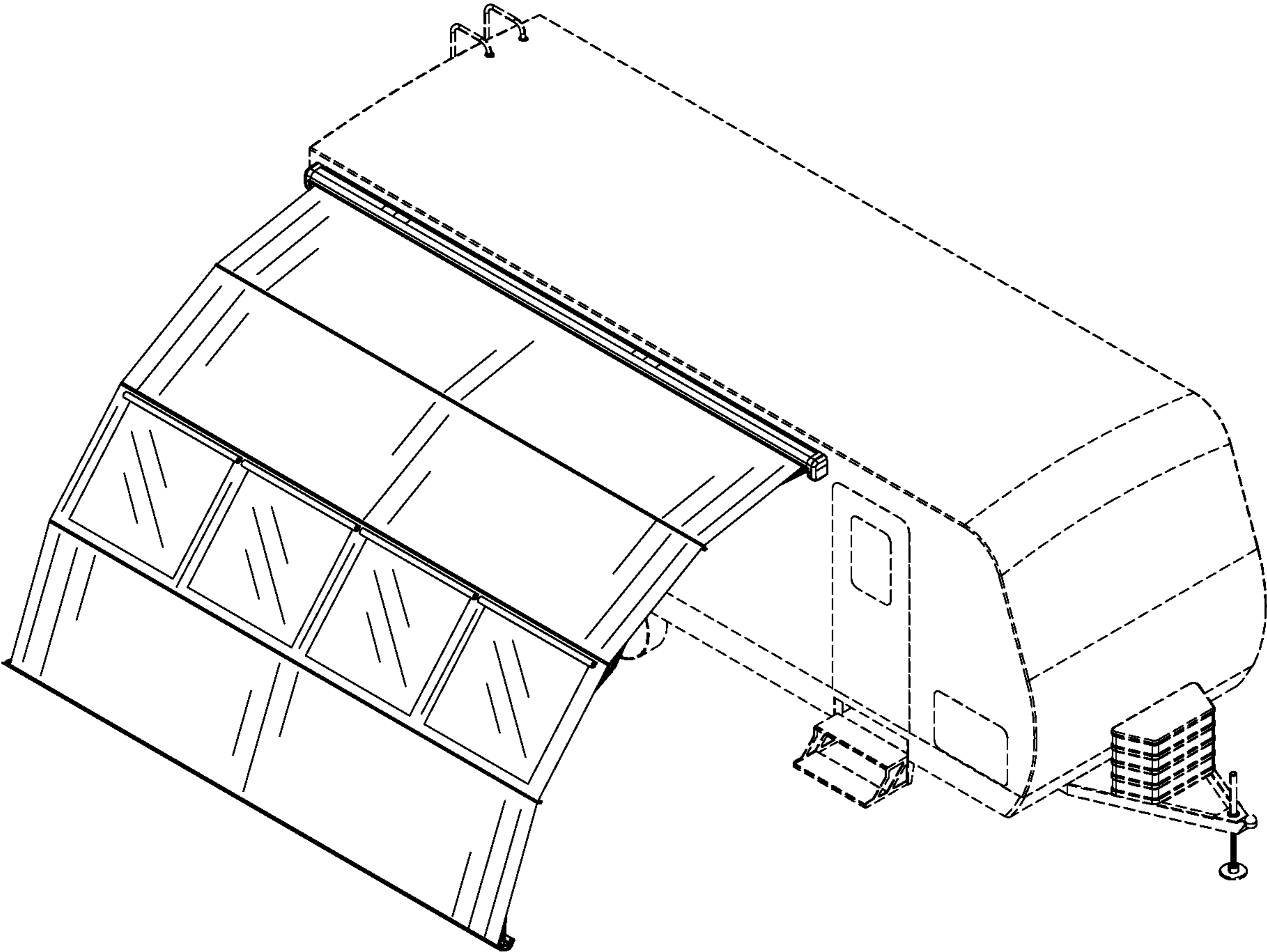


FIG. 1

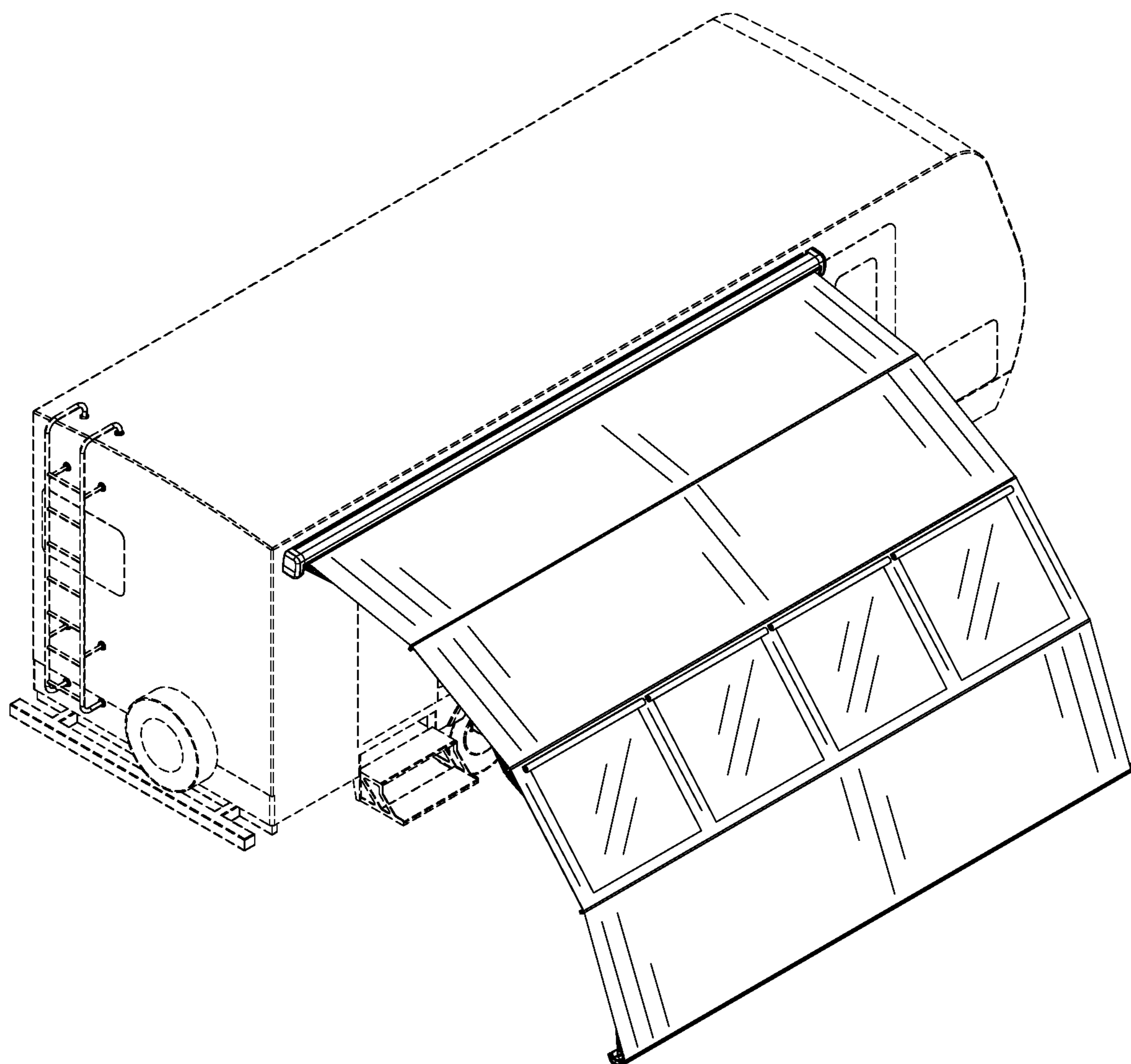


FIG. 2

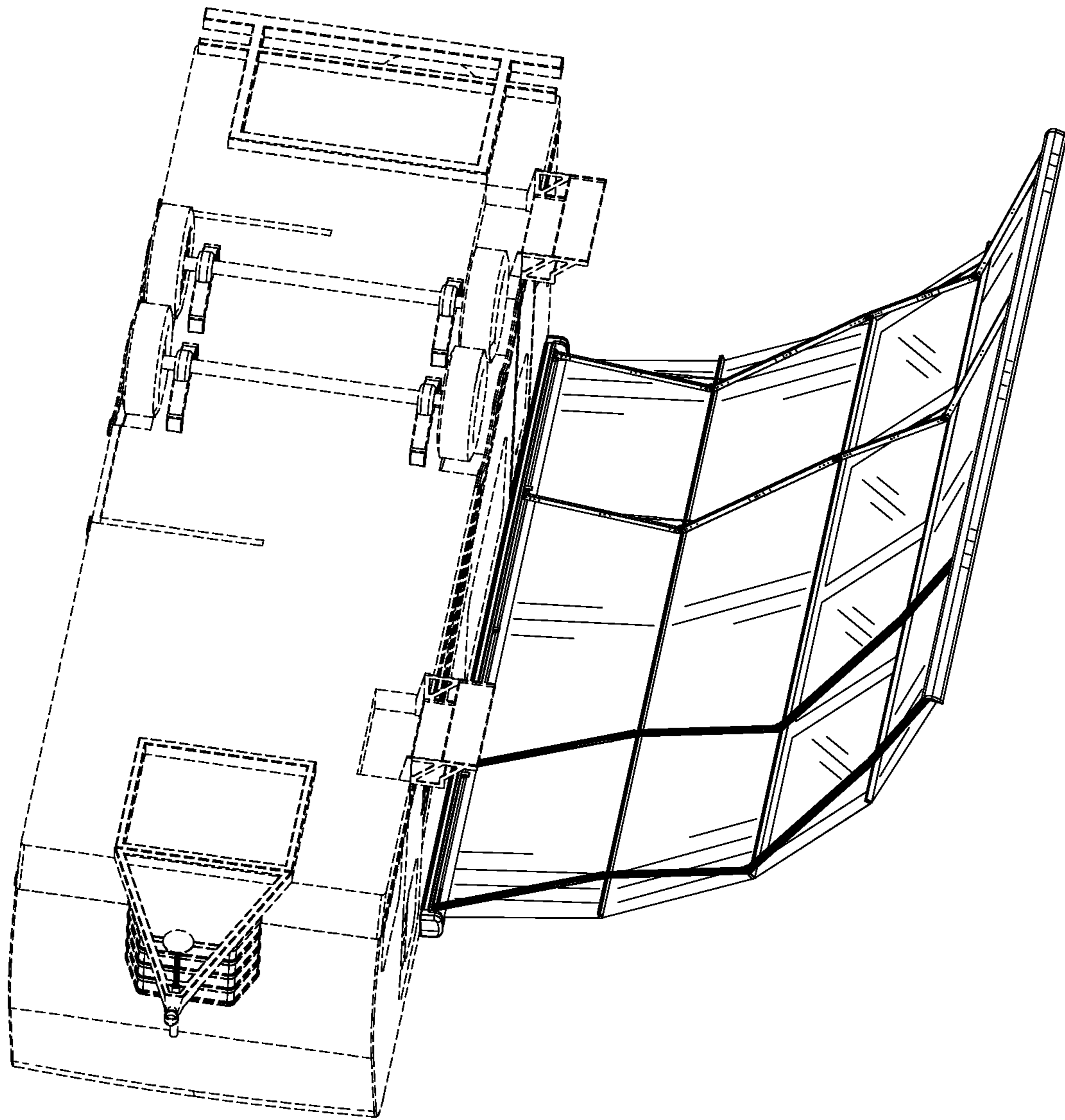


FIG. 3

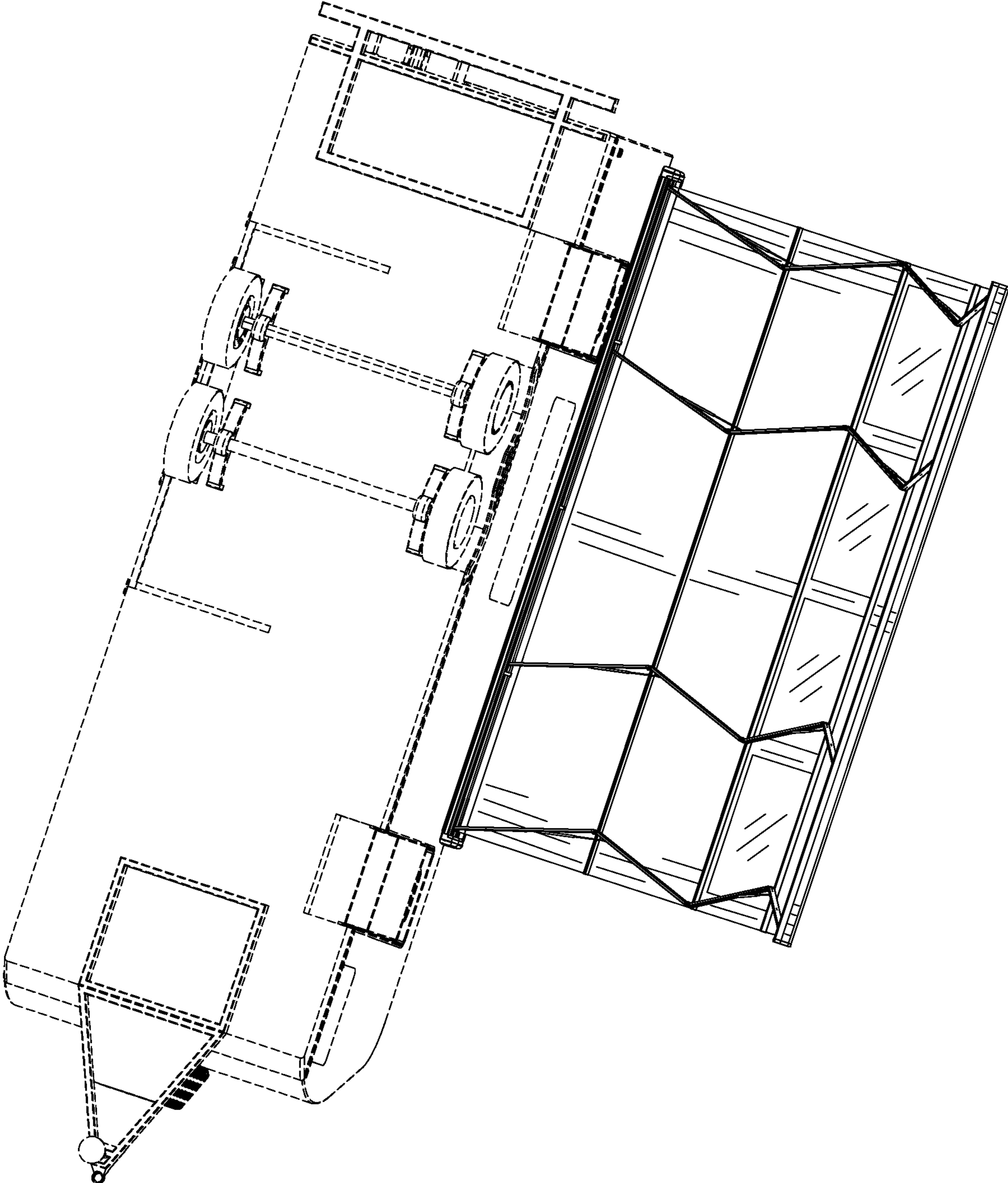


FIG. 4

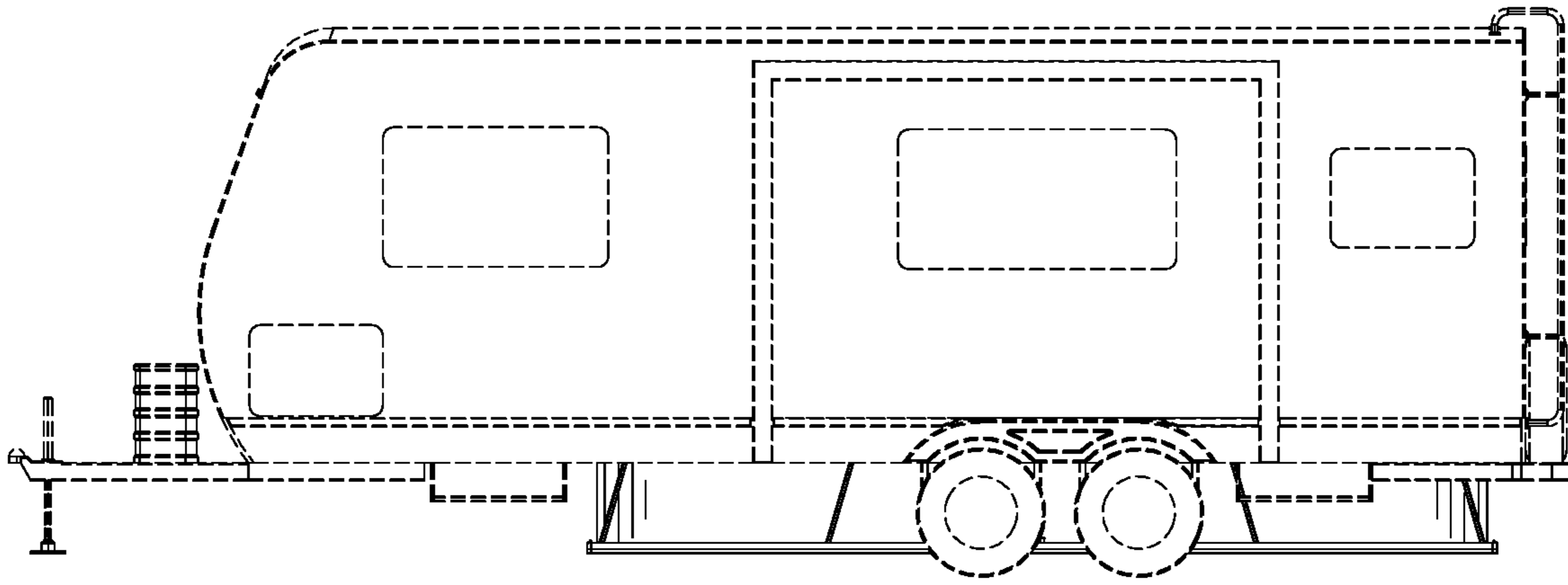


FIG. 5

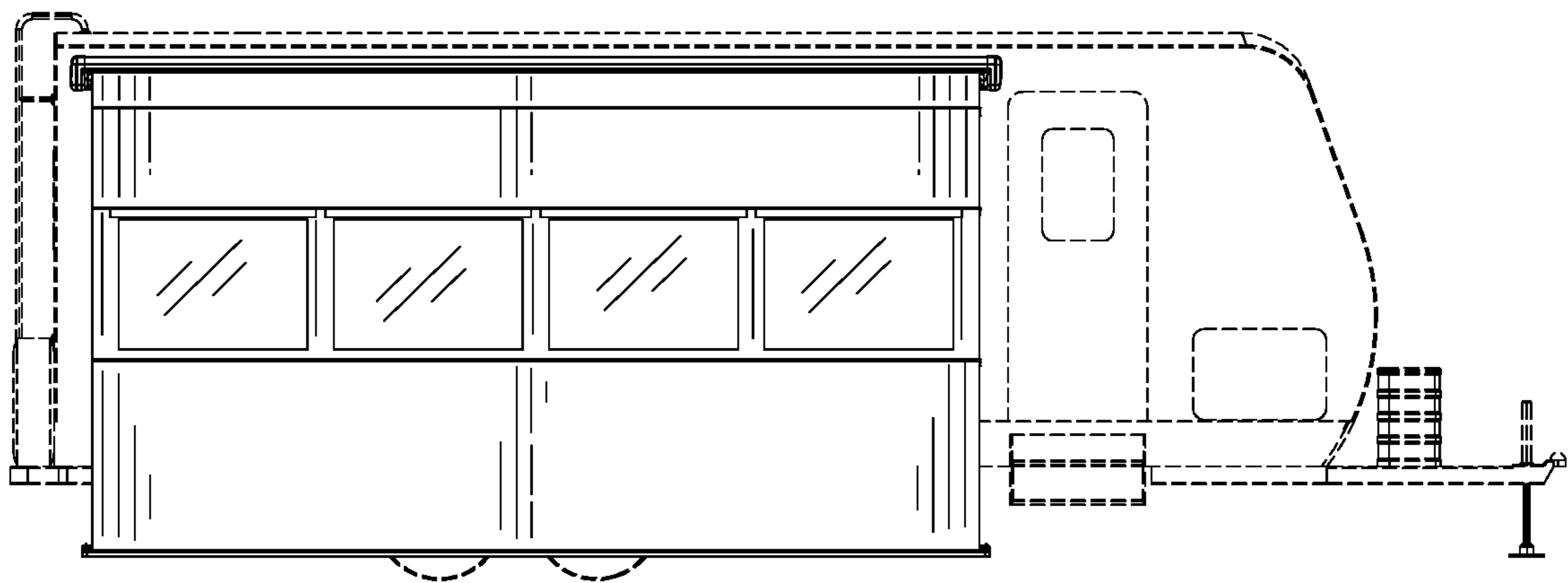


FIG. 6

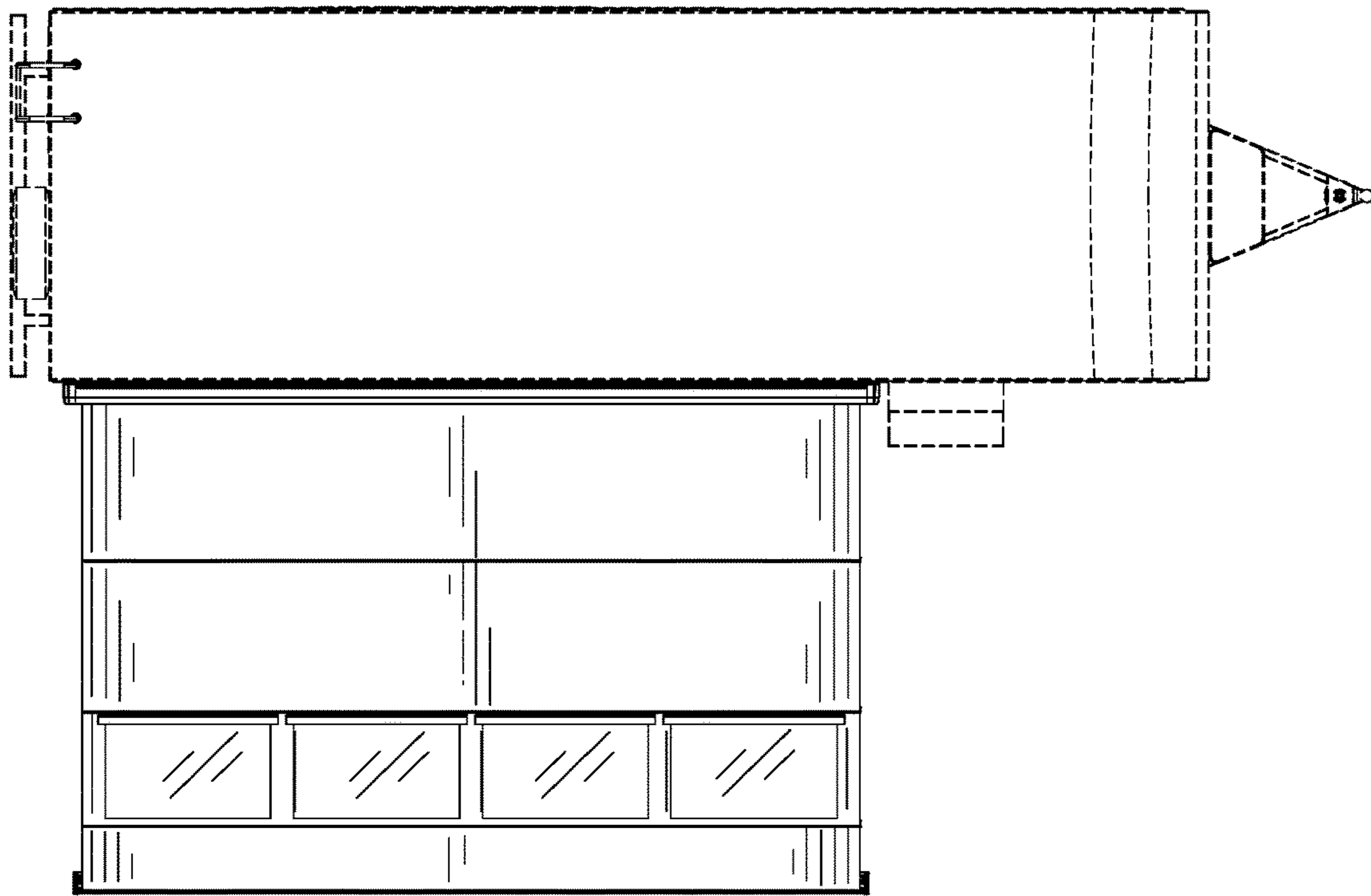


FIG. 7

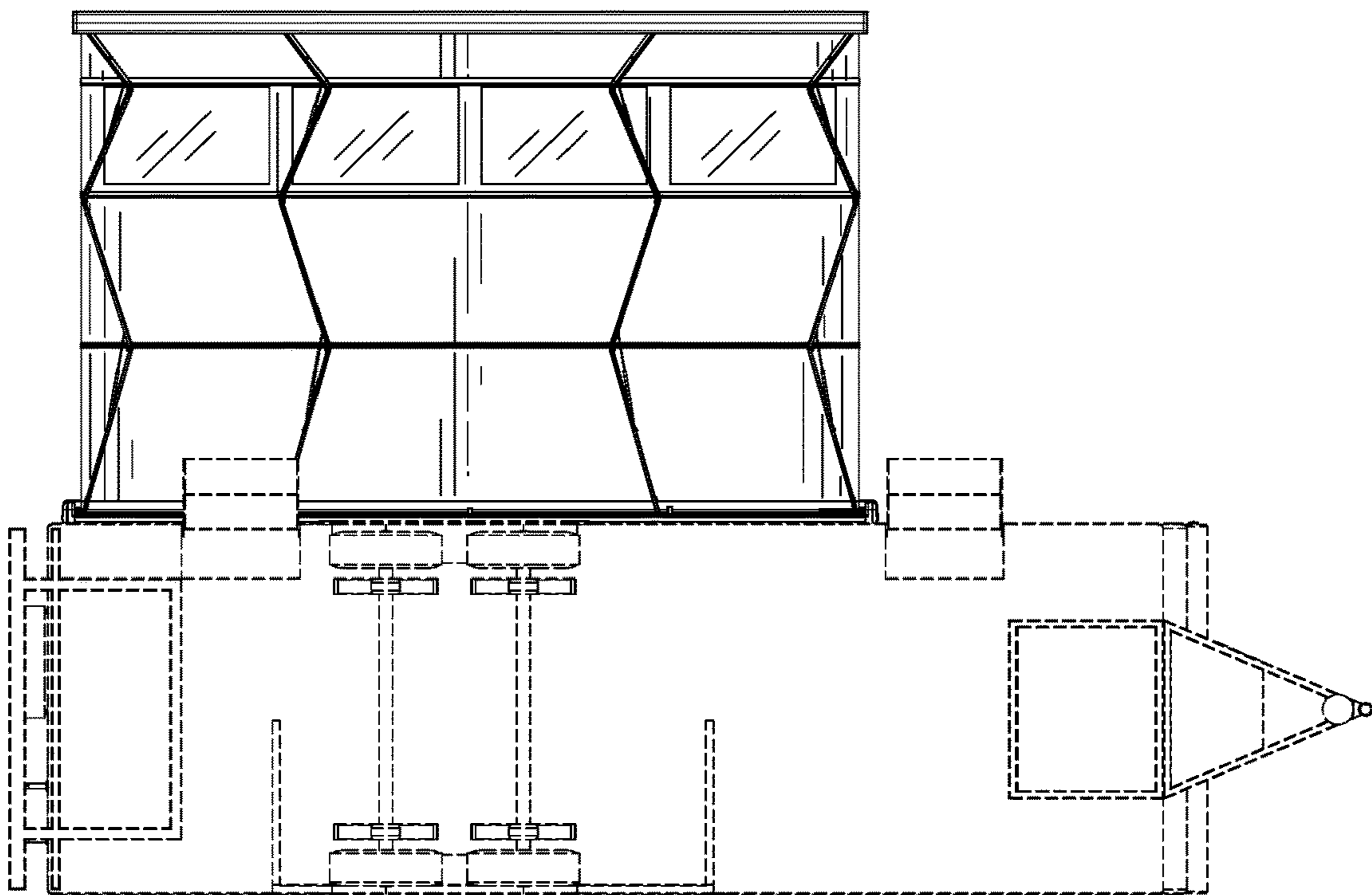


FIG. 8

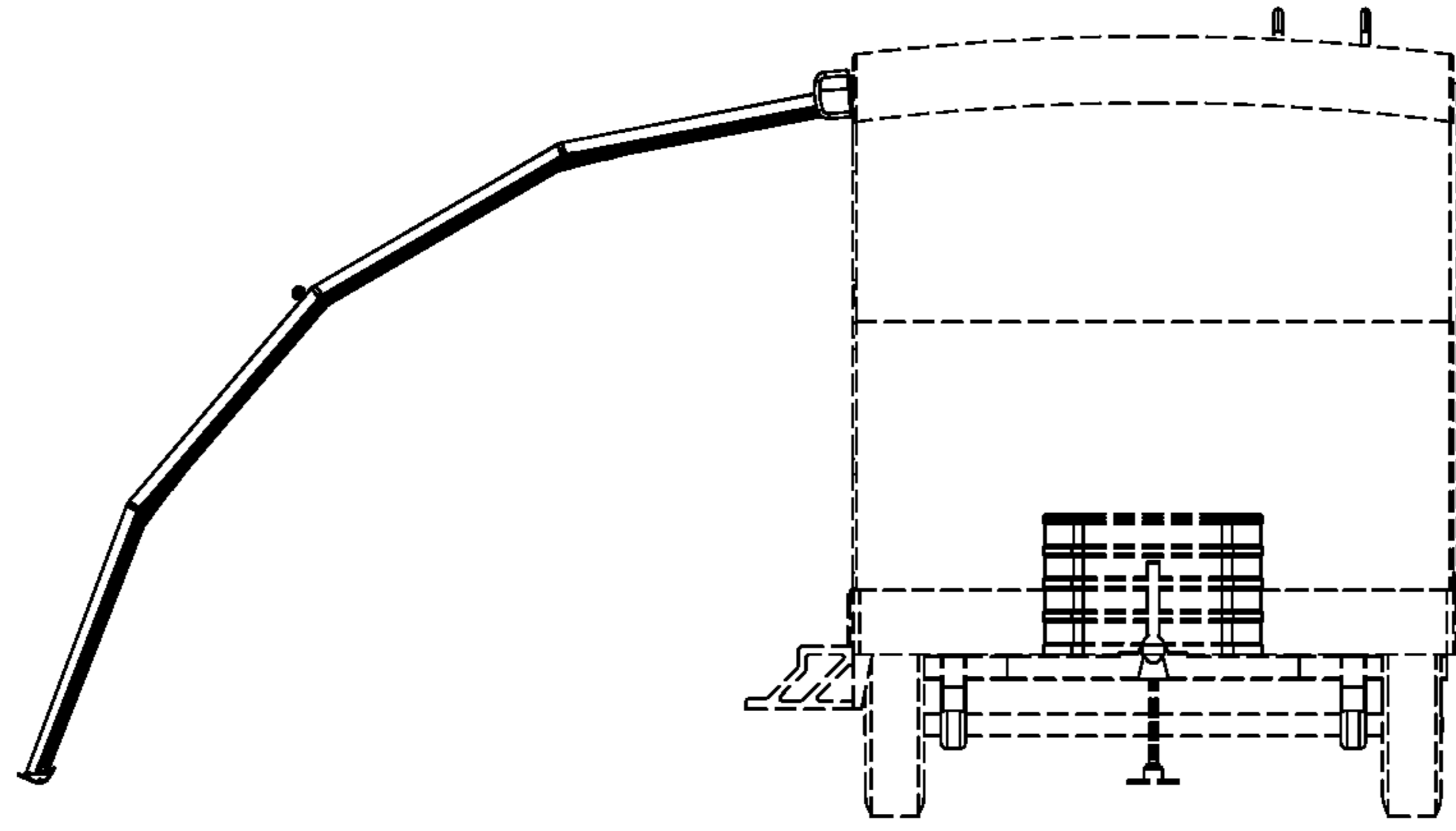


FIG. 9

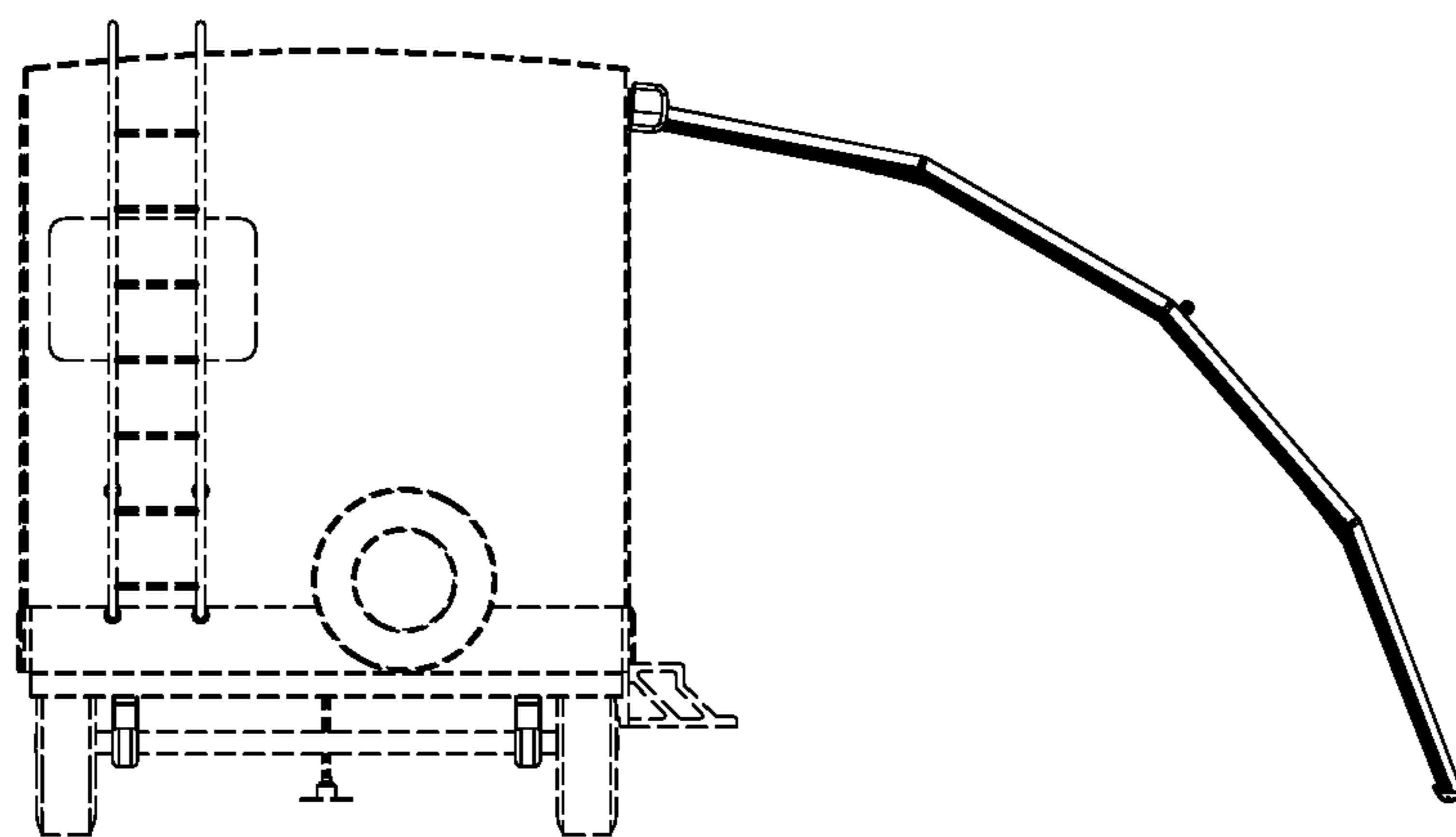


FIG. 10

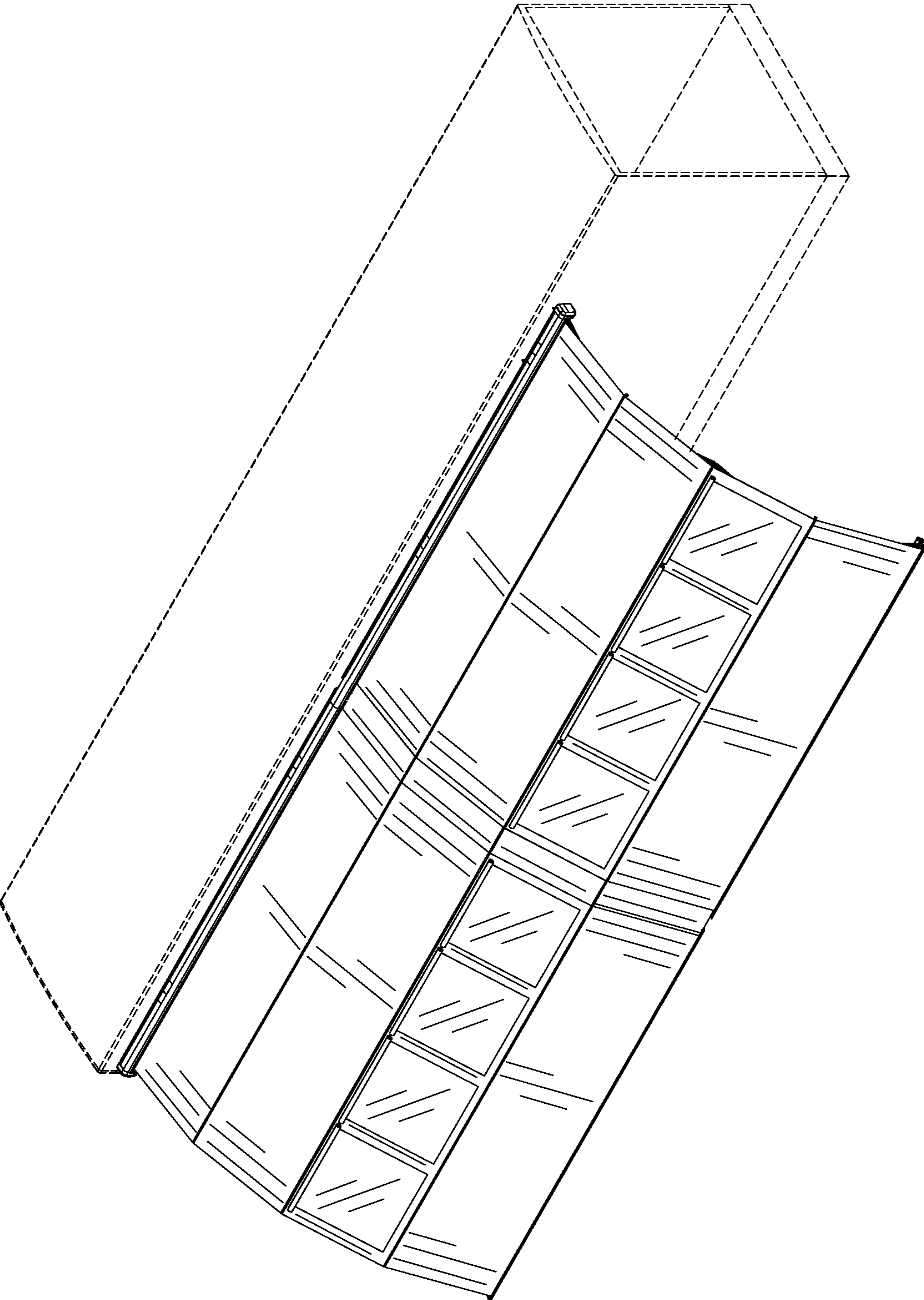


FIG. 11

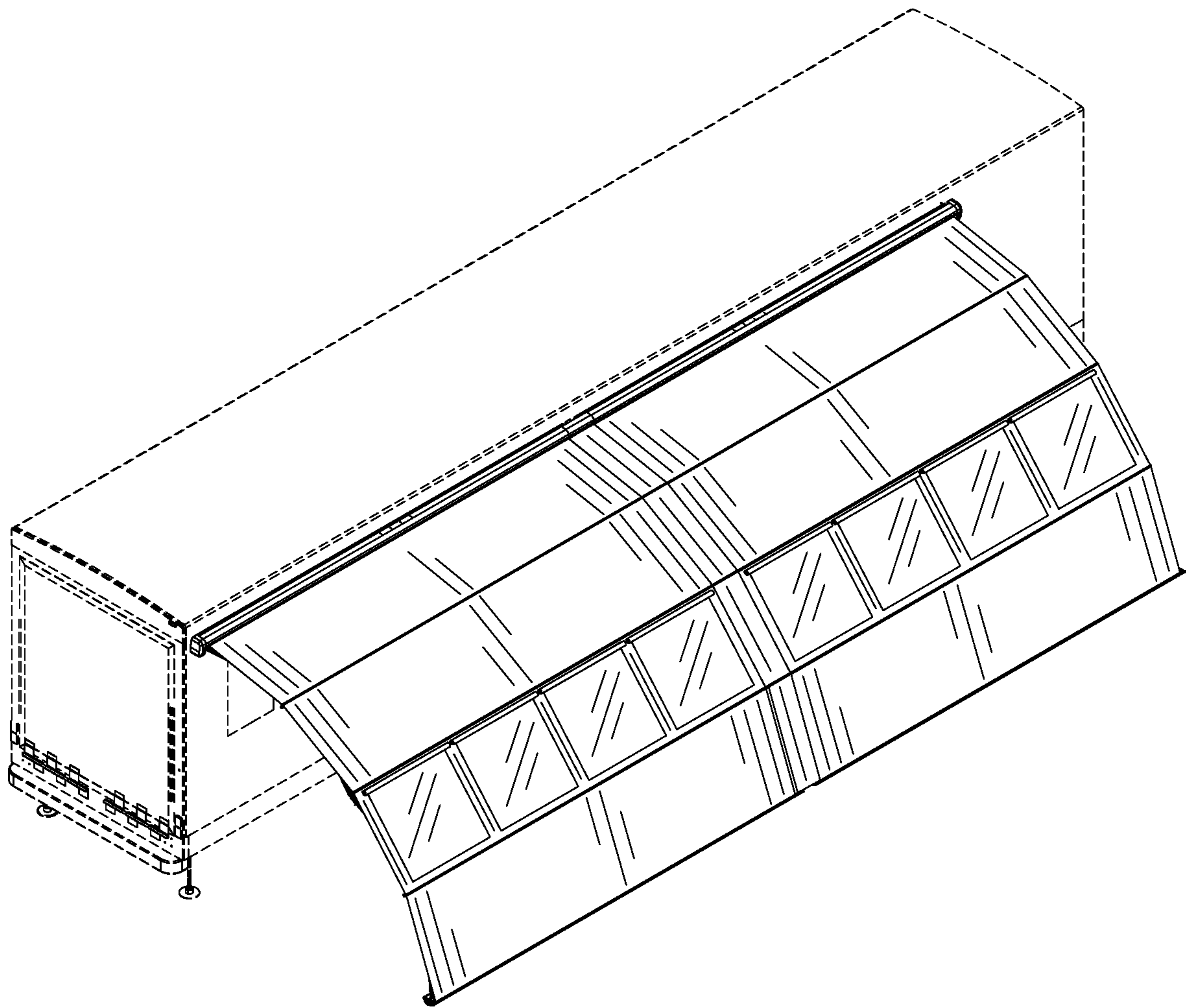


FIG. 12

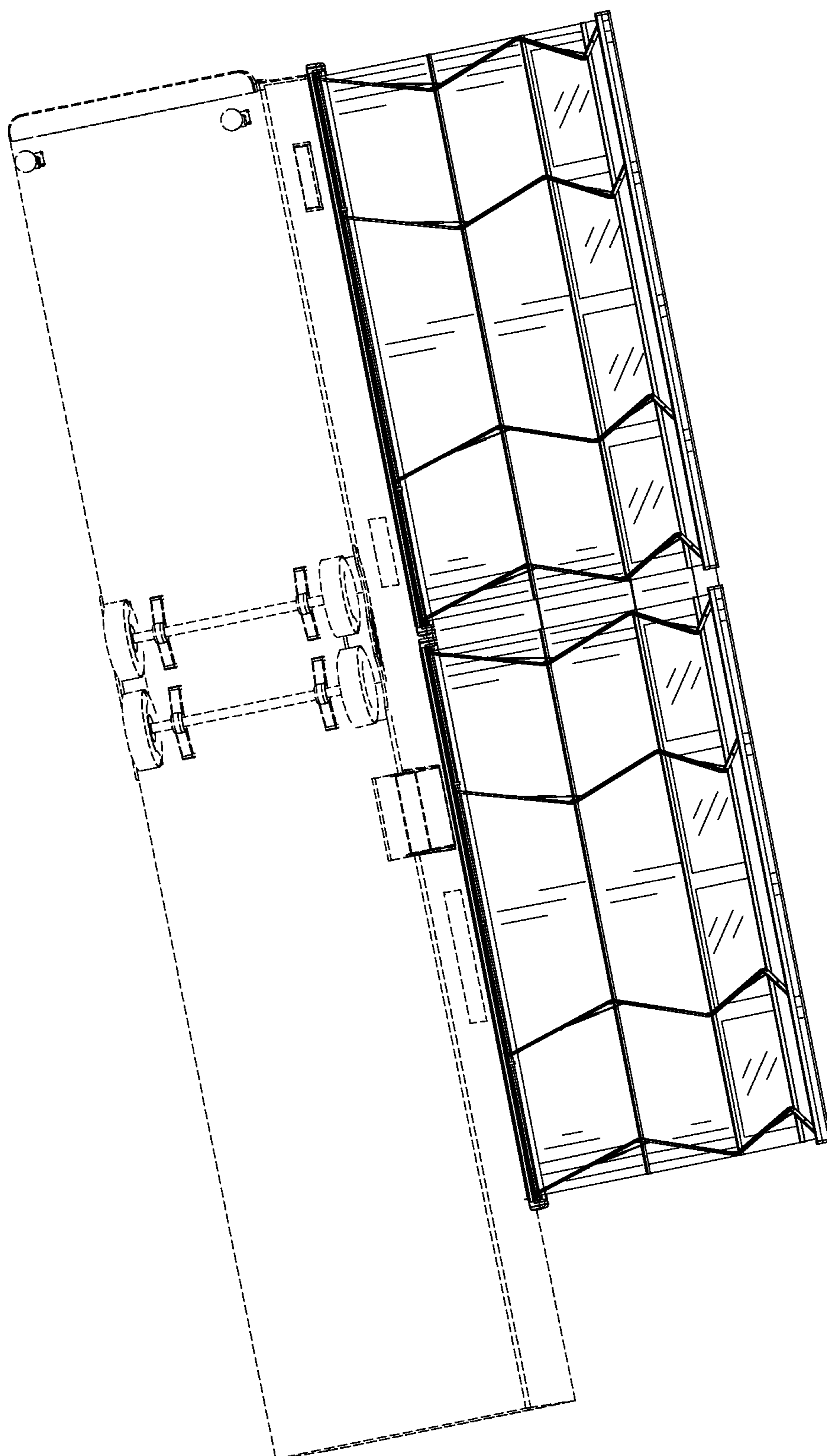


FIG. 13

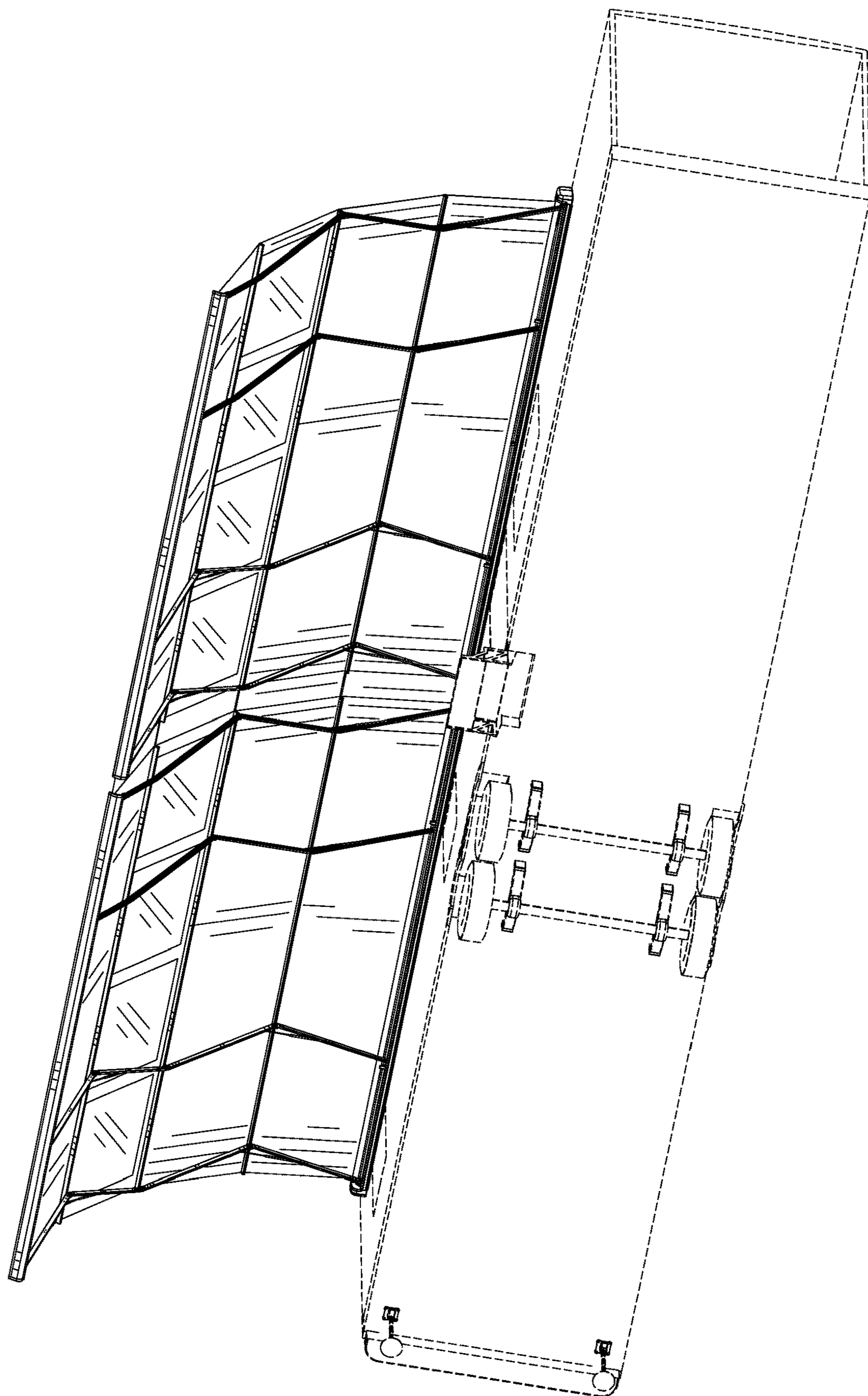


FIG. 14

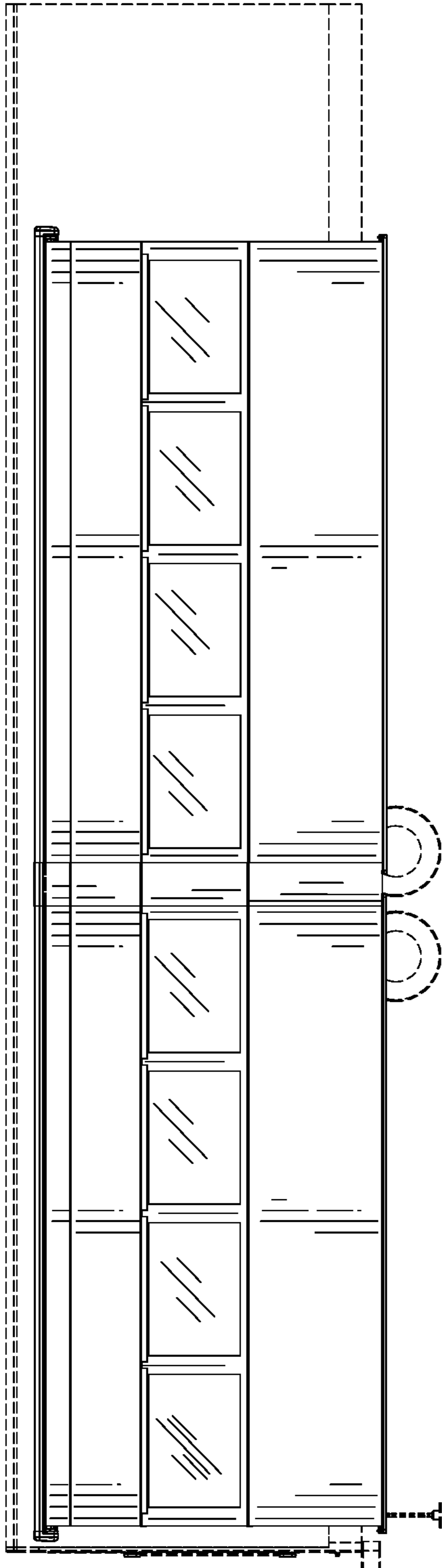


FIG. 15

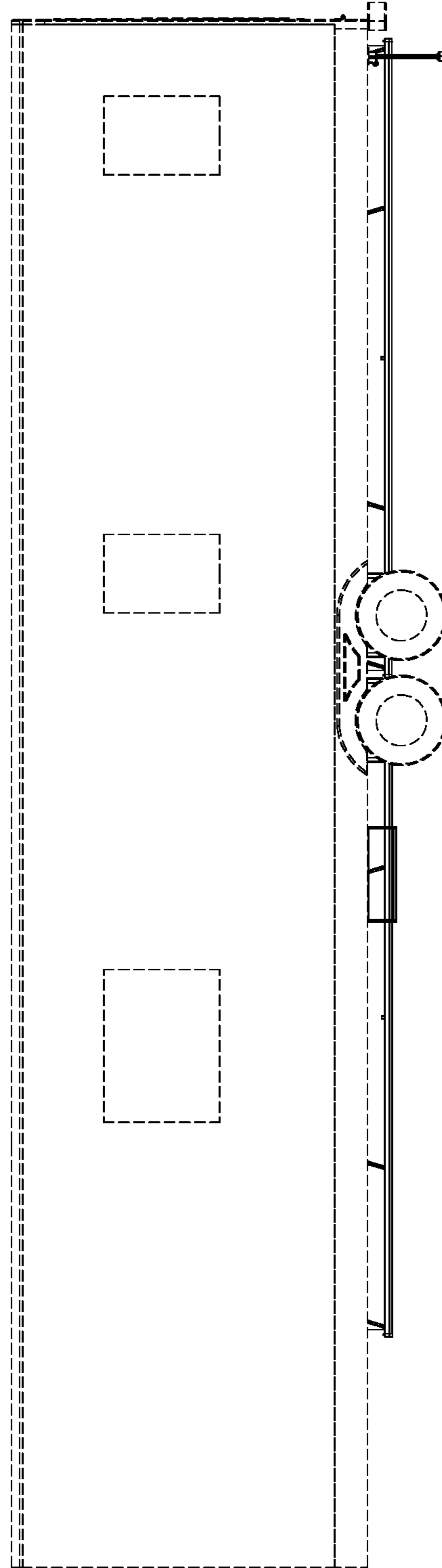


FIG. 16

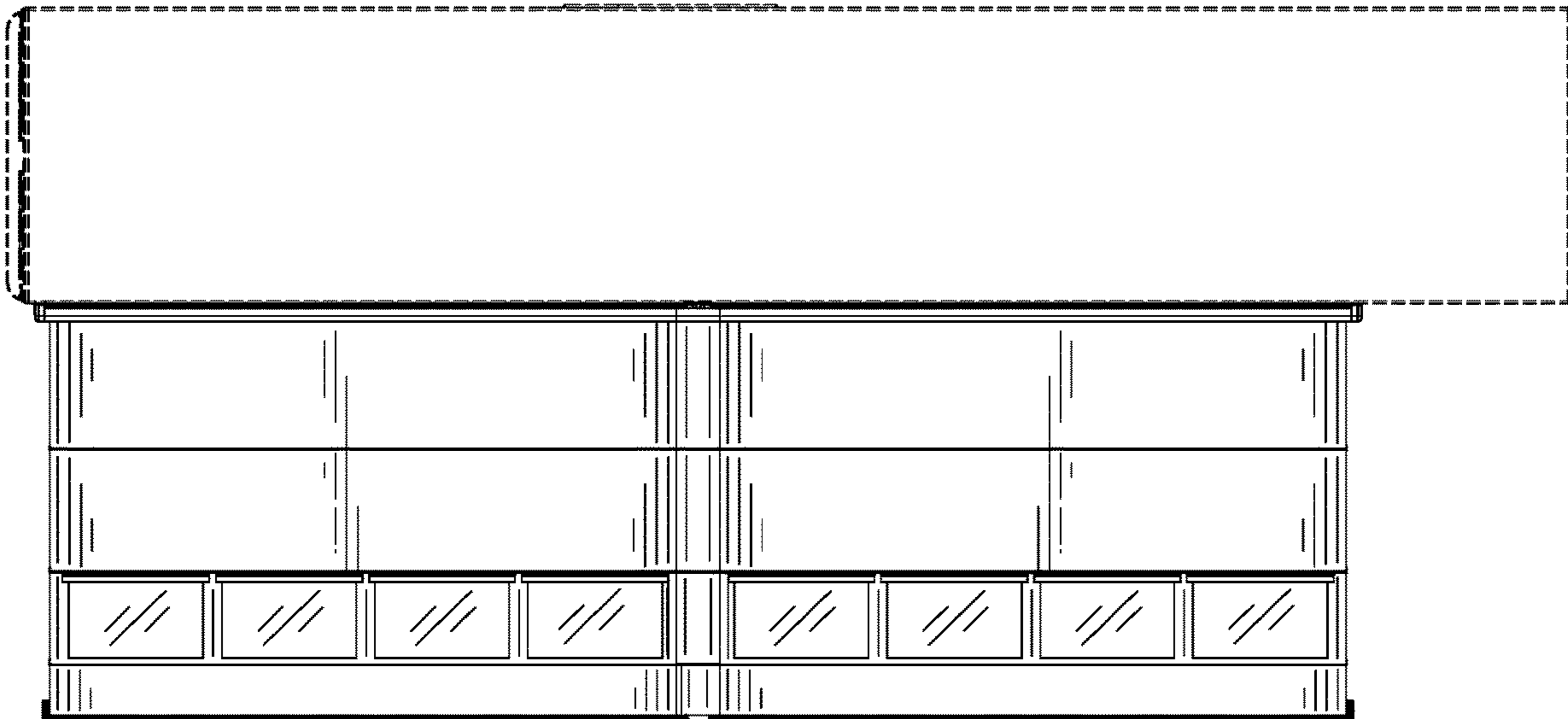


FIG. 17

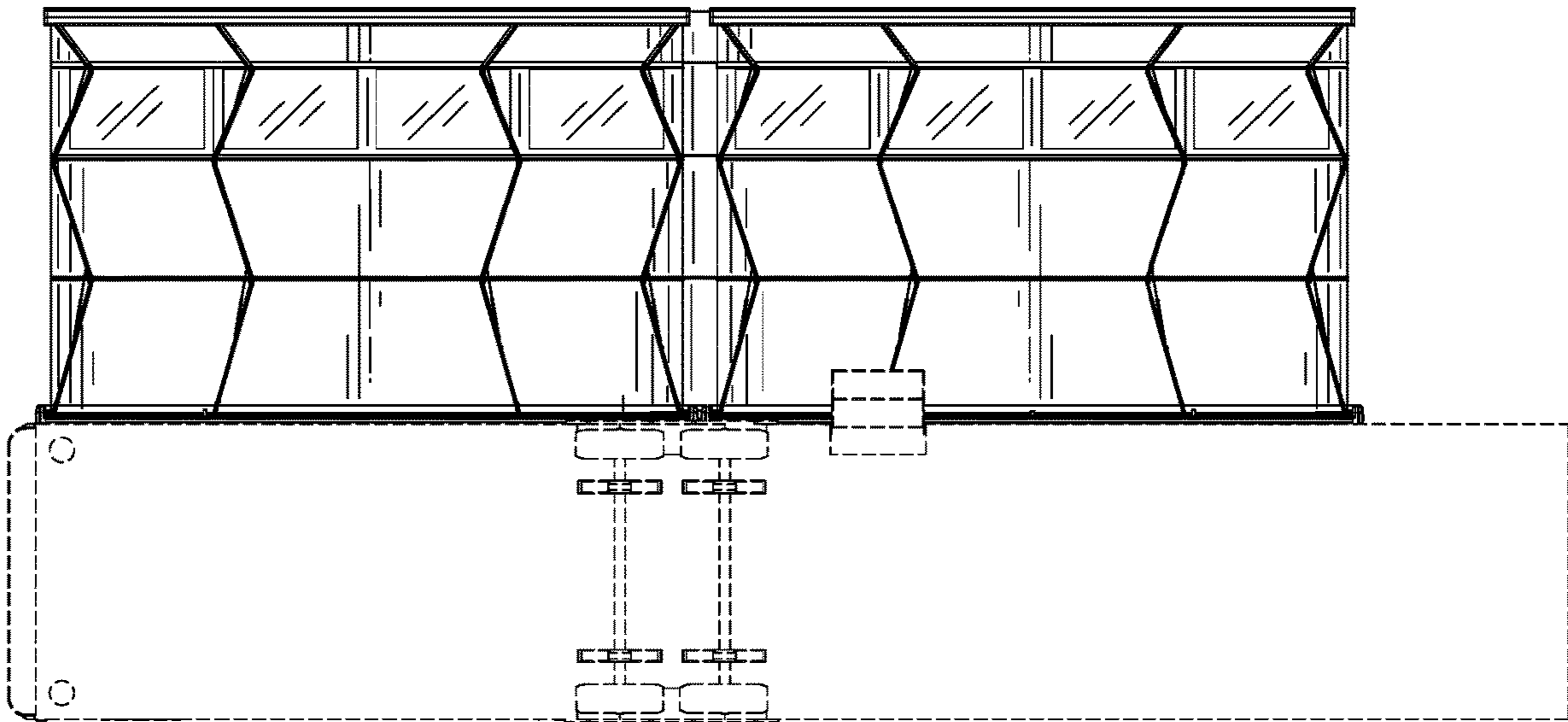


FIG. 18

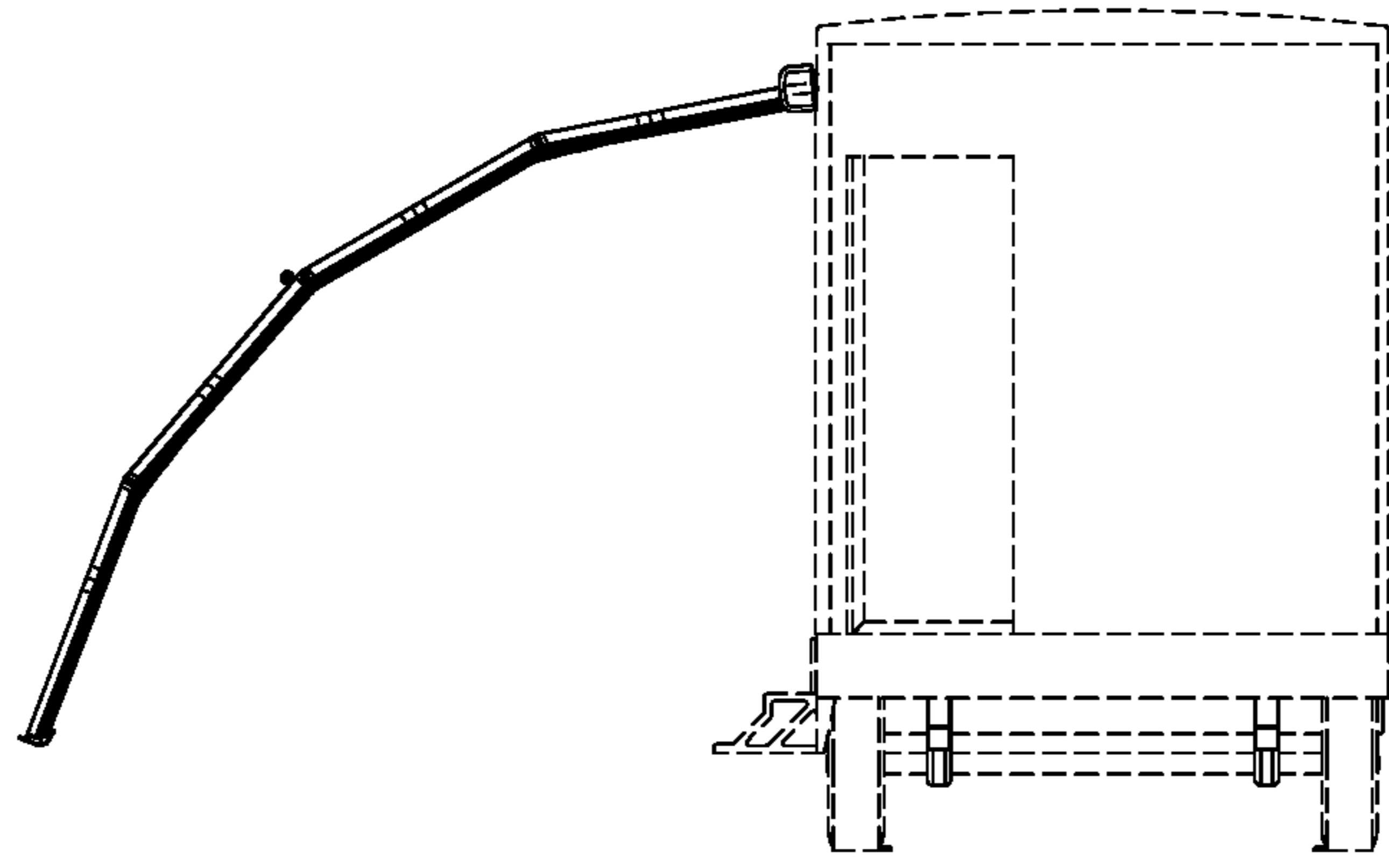


FIG. 19

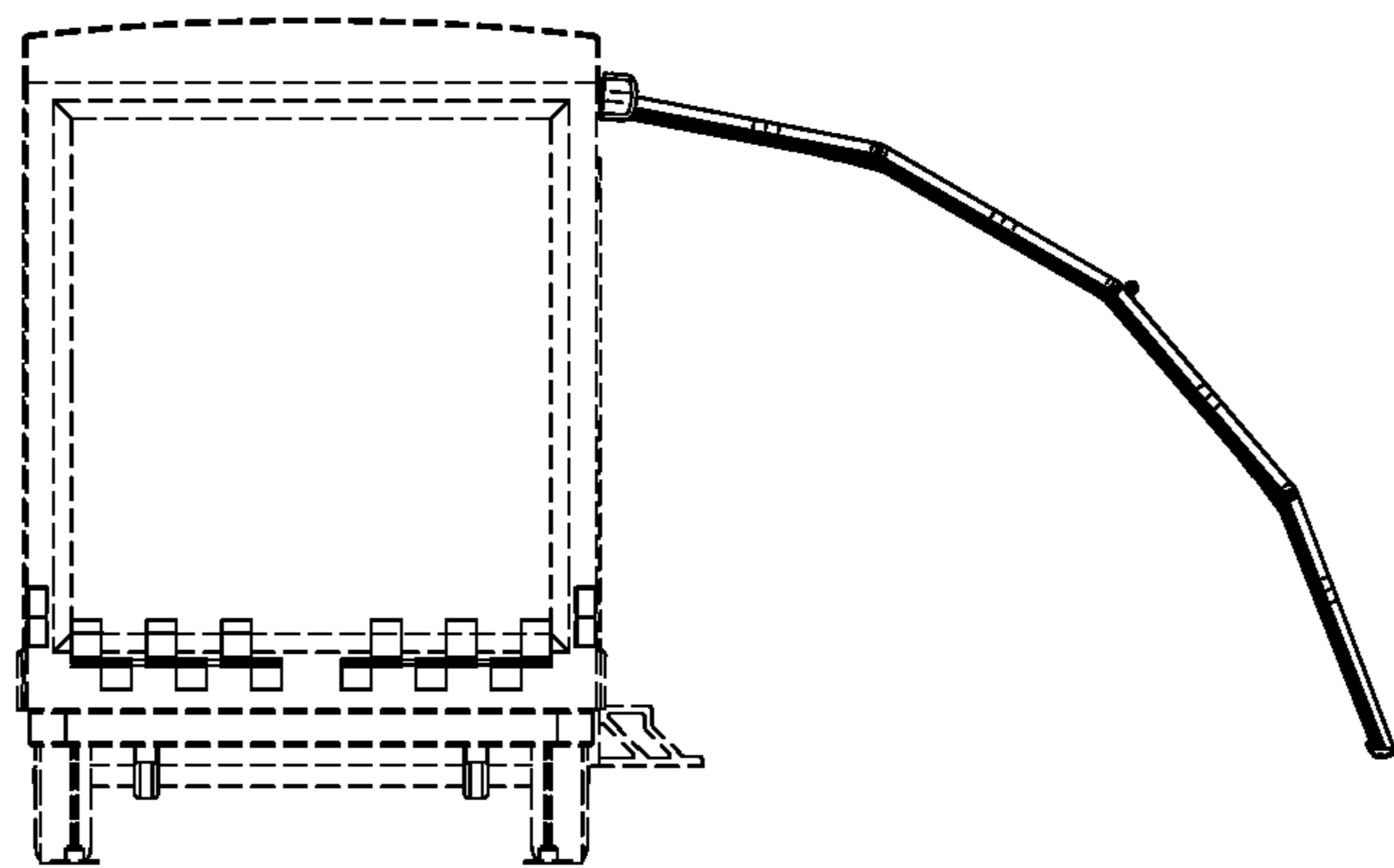


FIG. 20

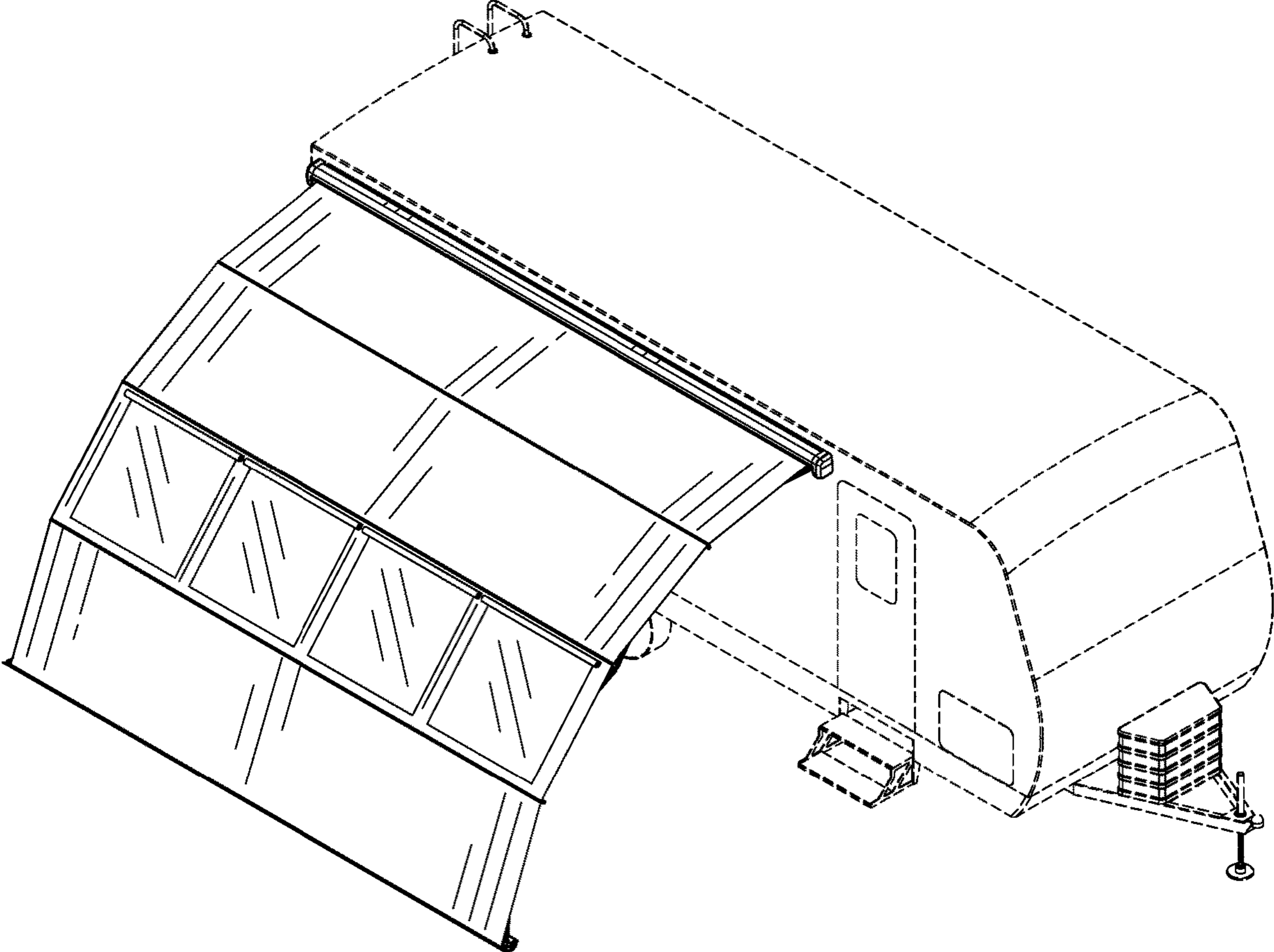


FIG. 21

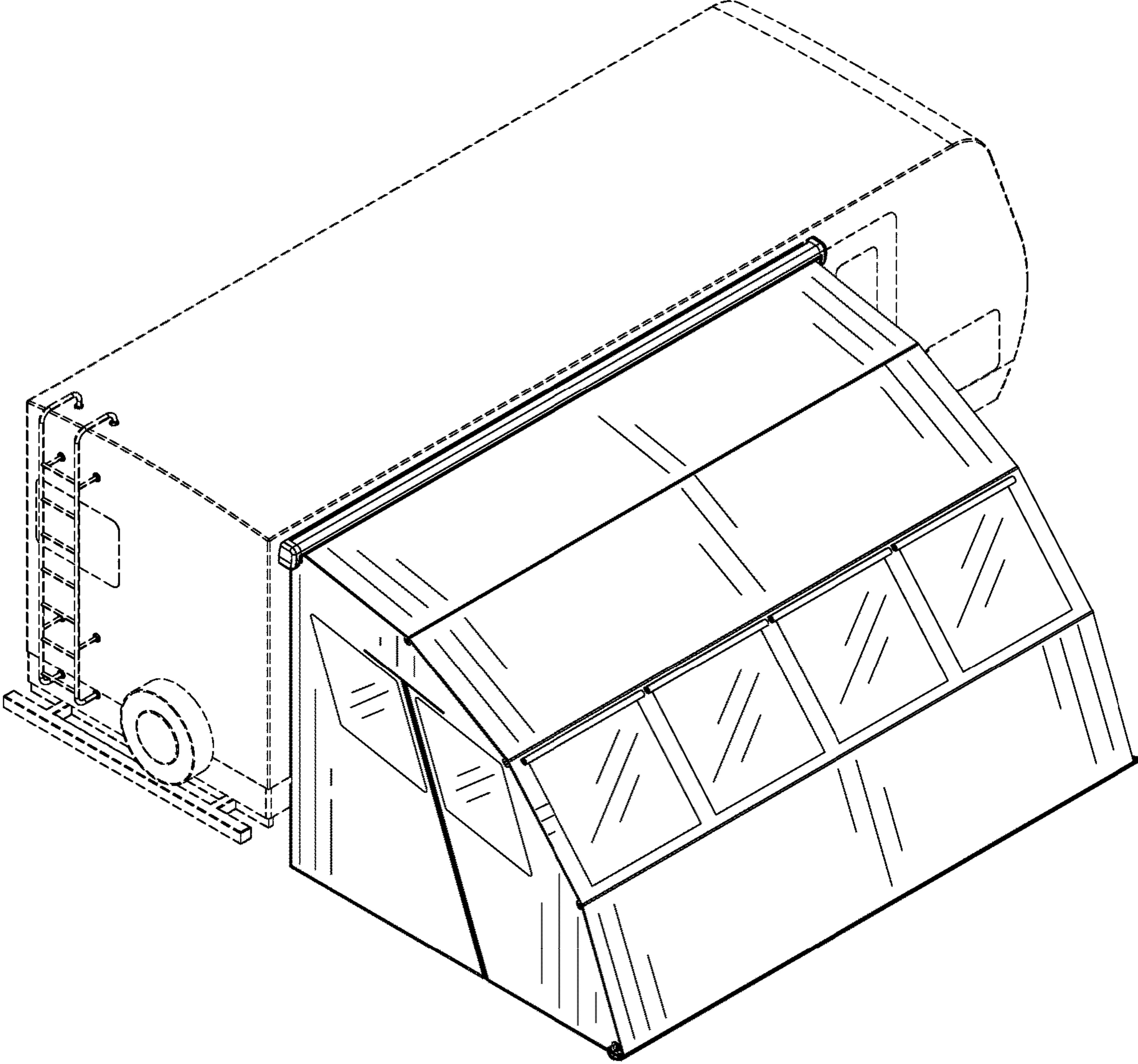


FIG. 22

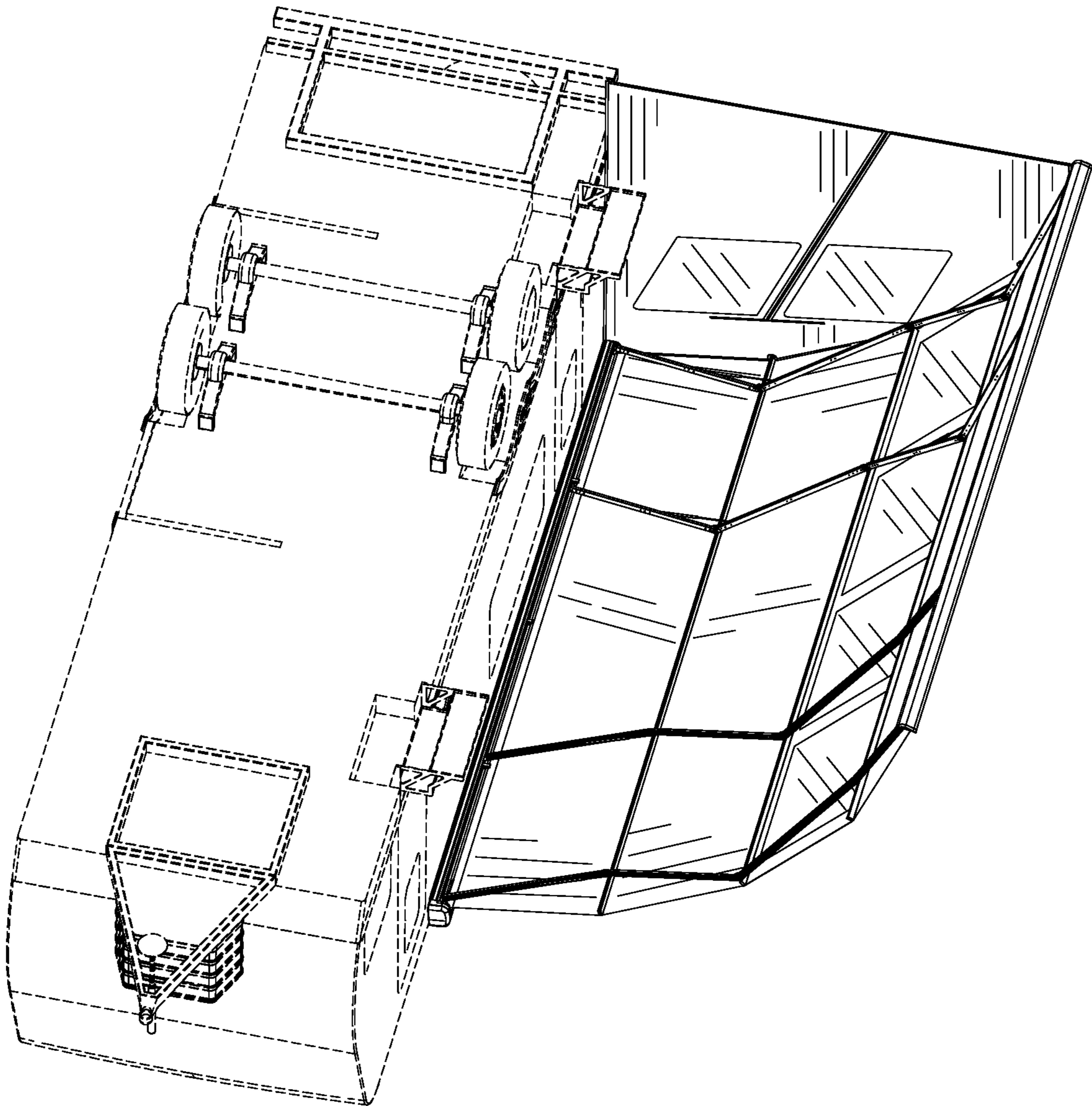


FIG. 23

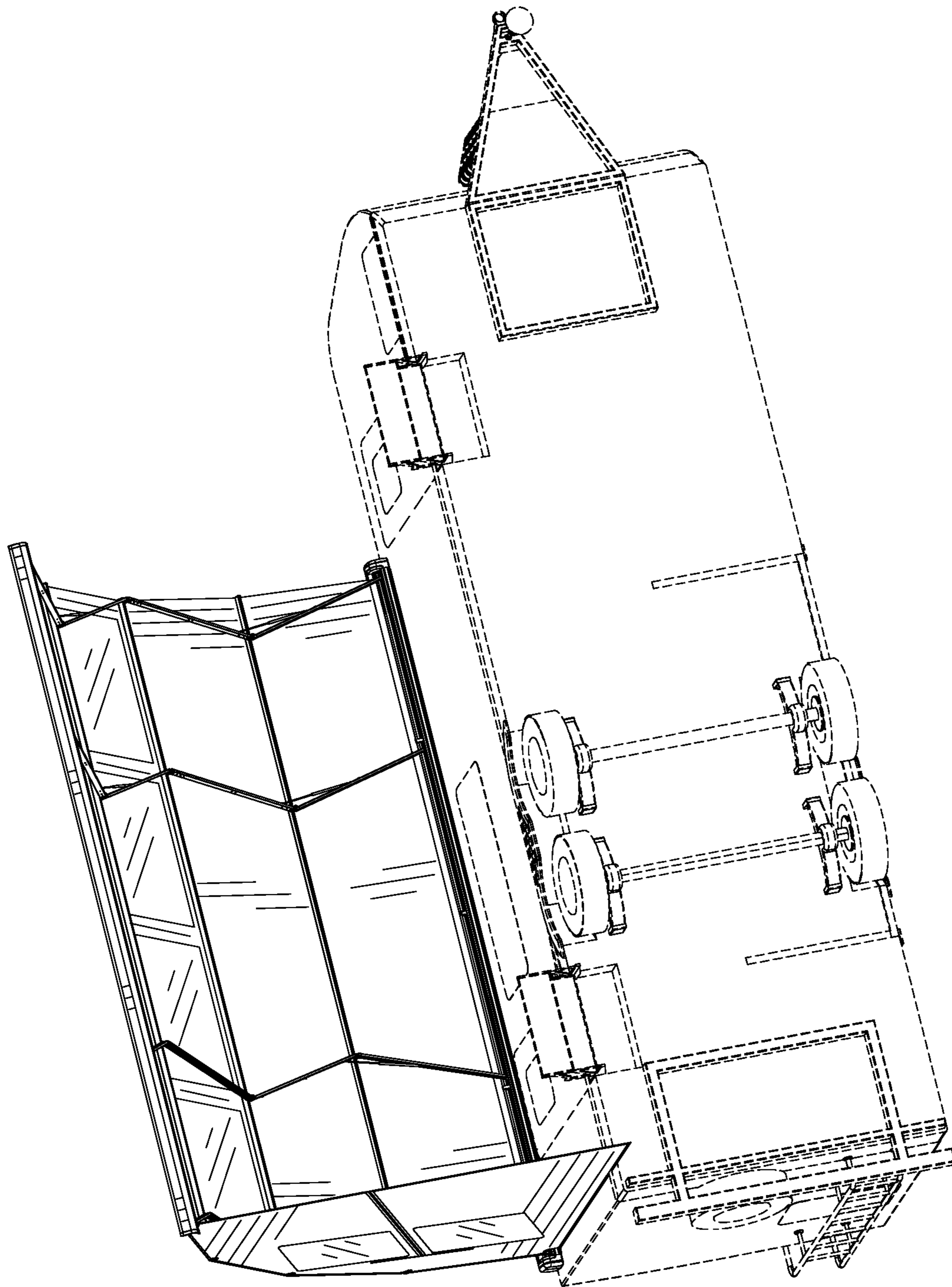


FIG. 24

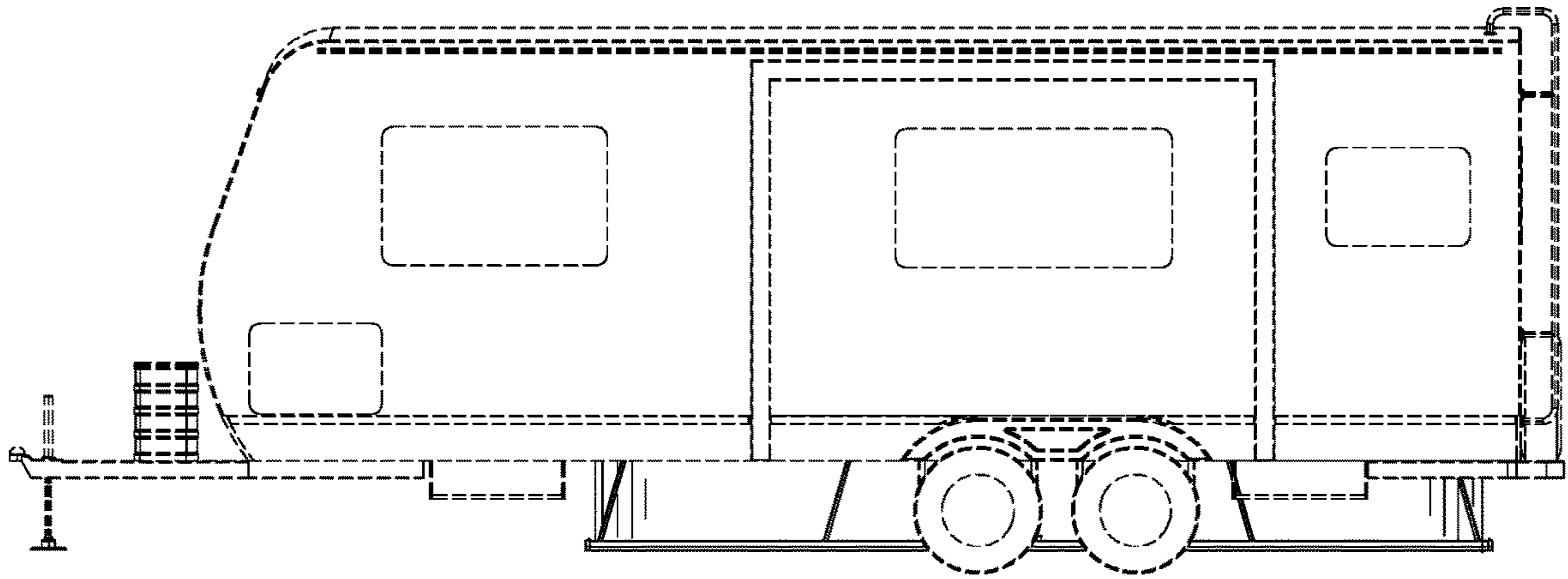


FIG. 25

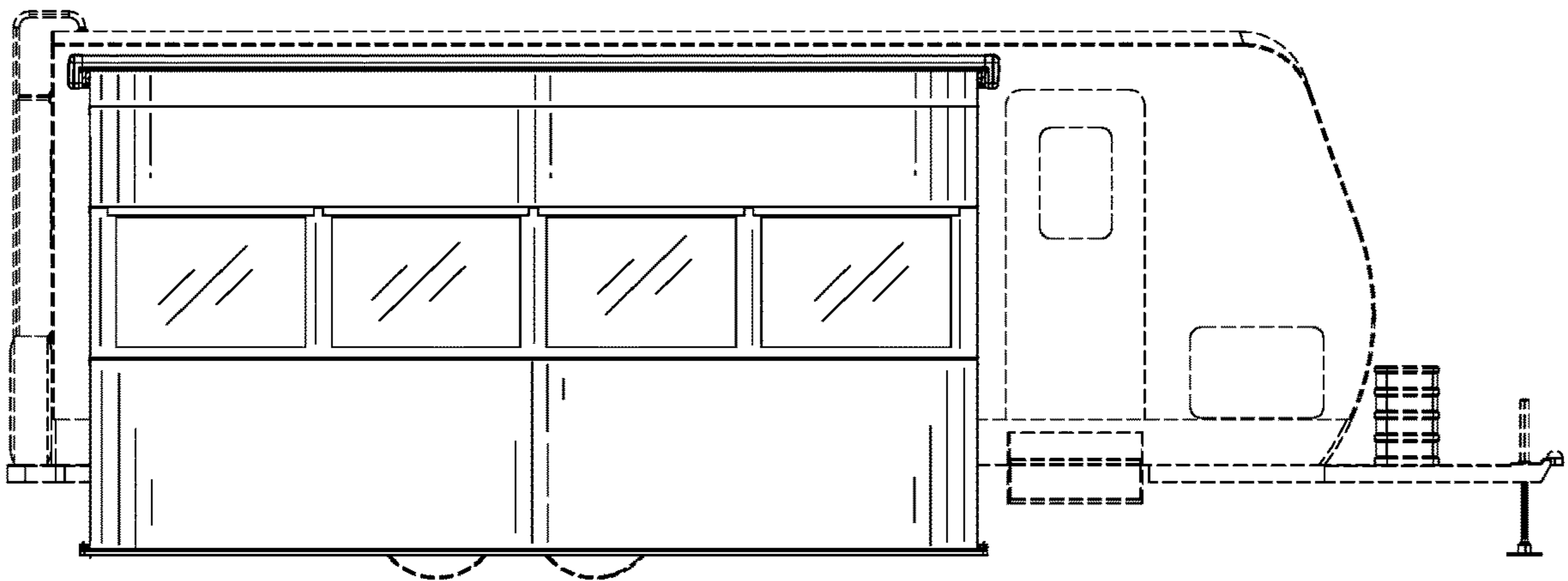


FIG. 26

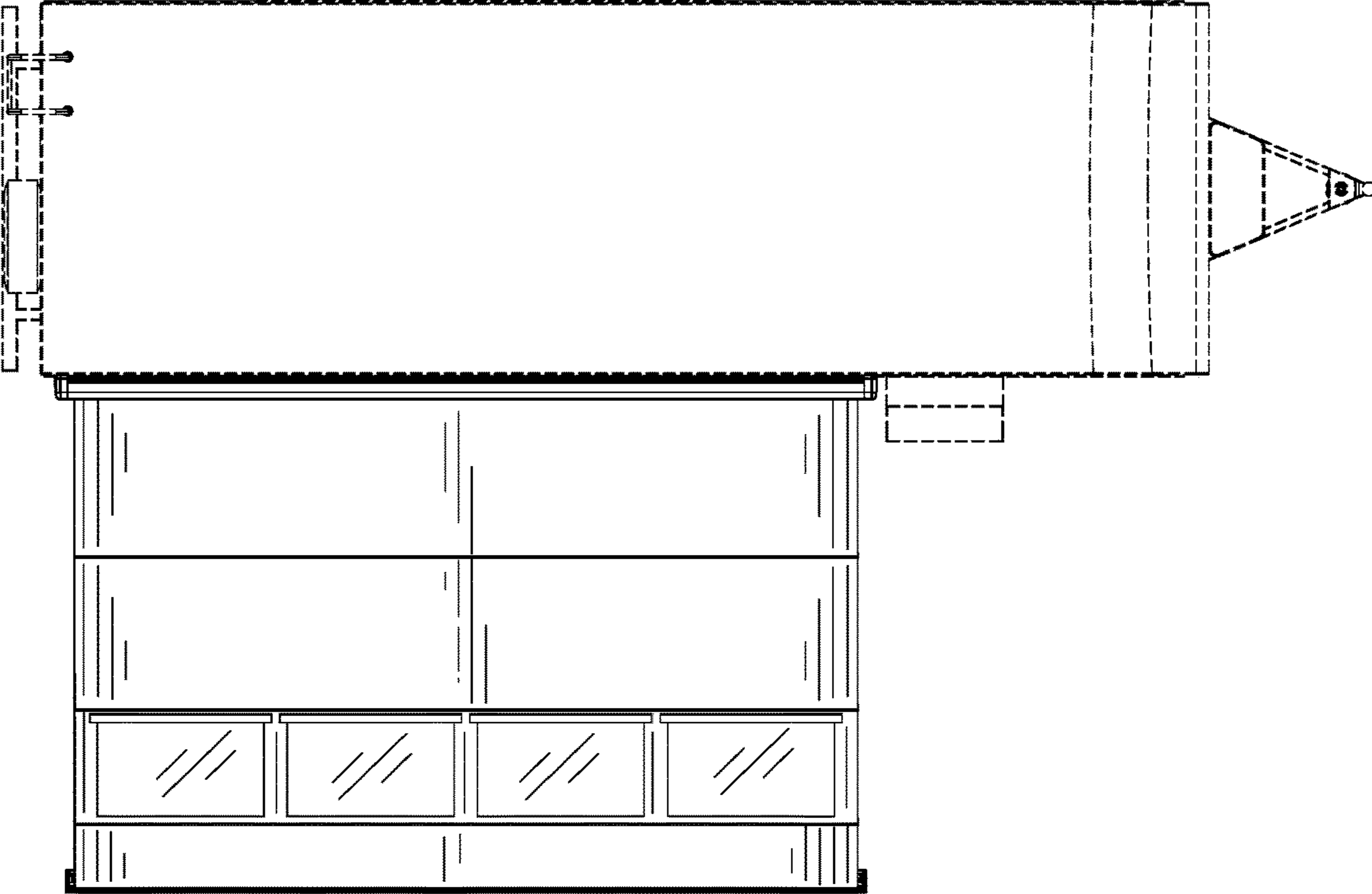


FIG. 27

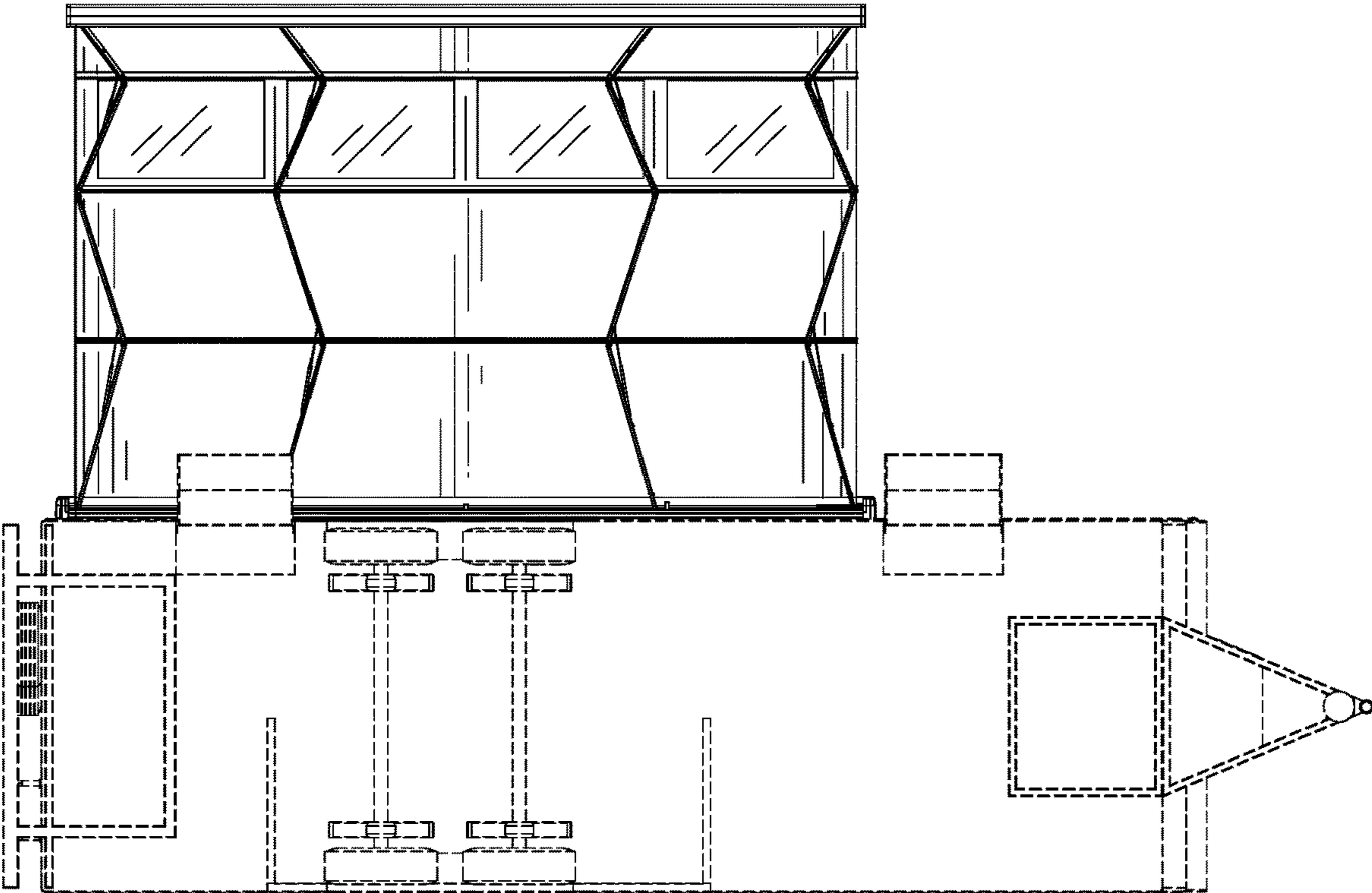


FIG. 28

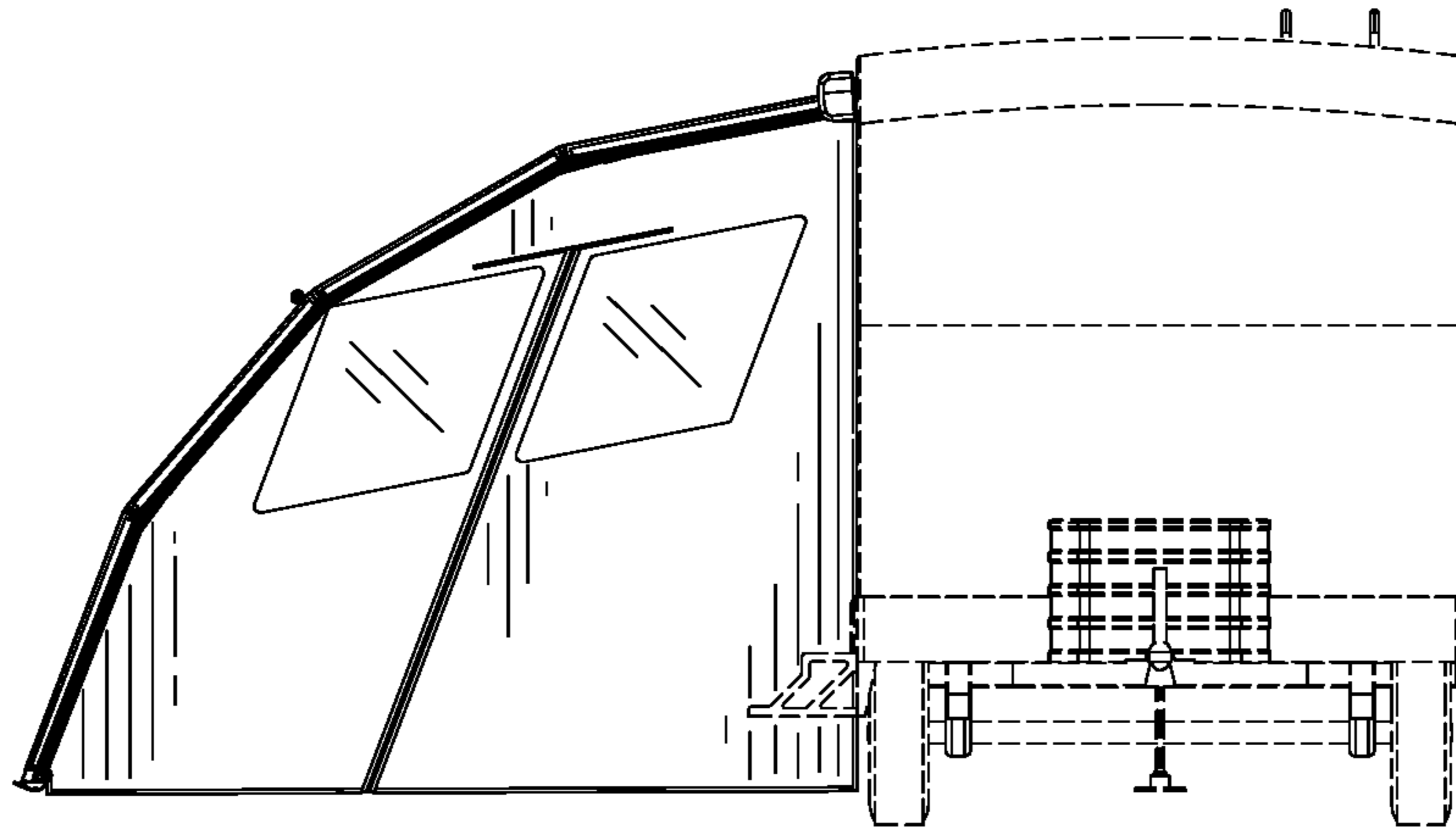


FIG. 29

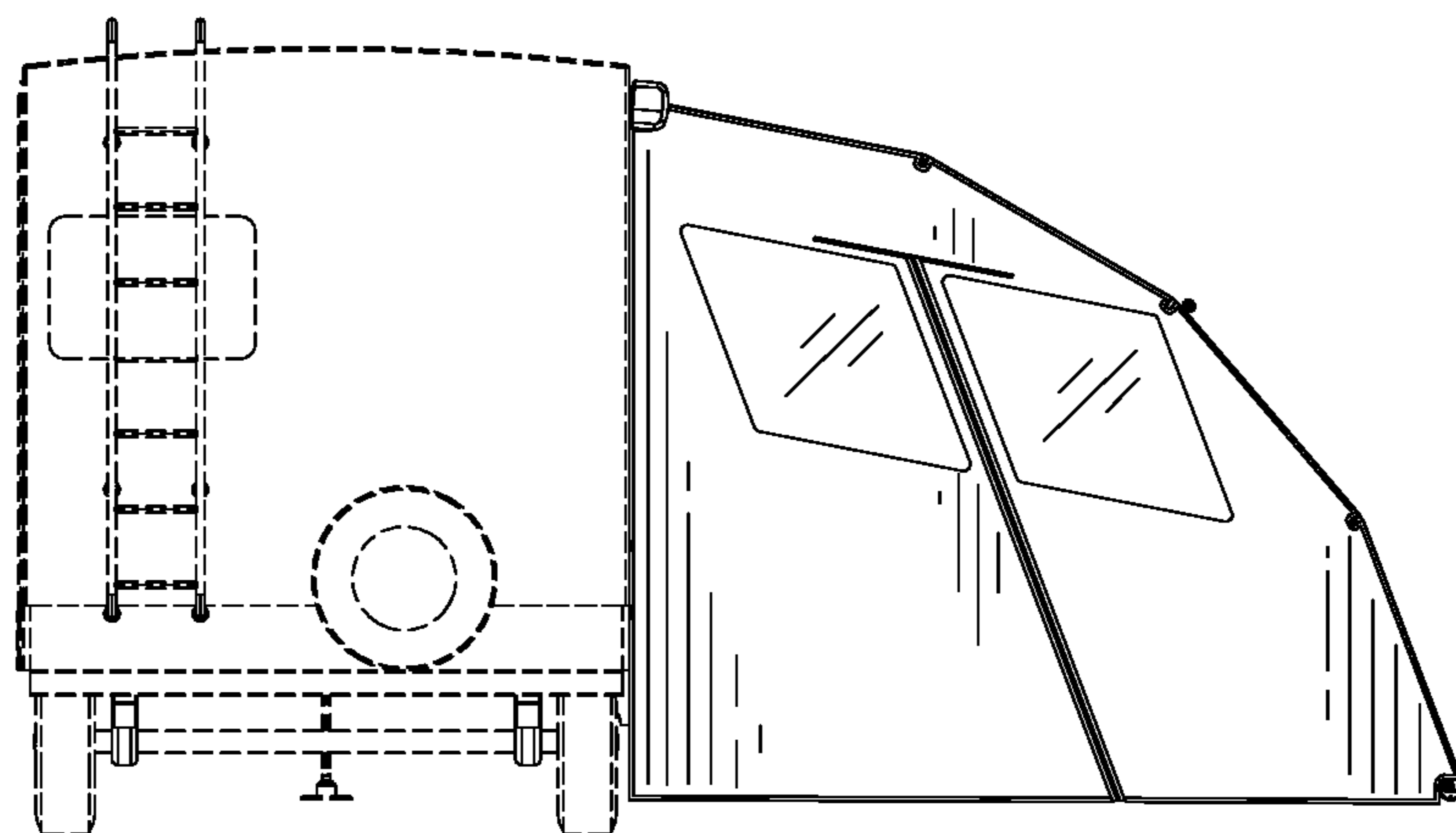


FIG. 30

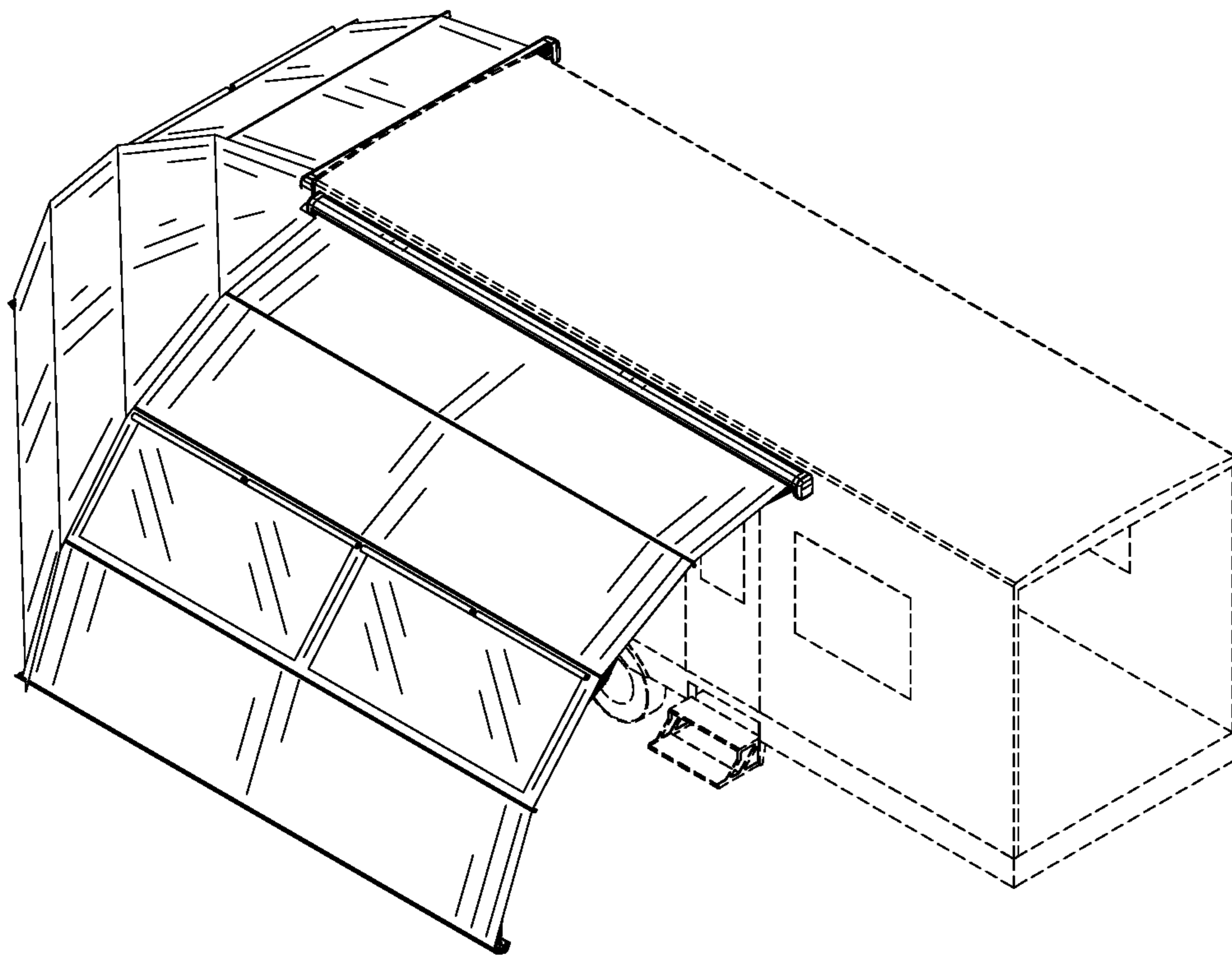


FIG. 31

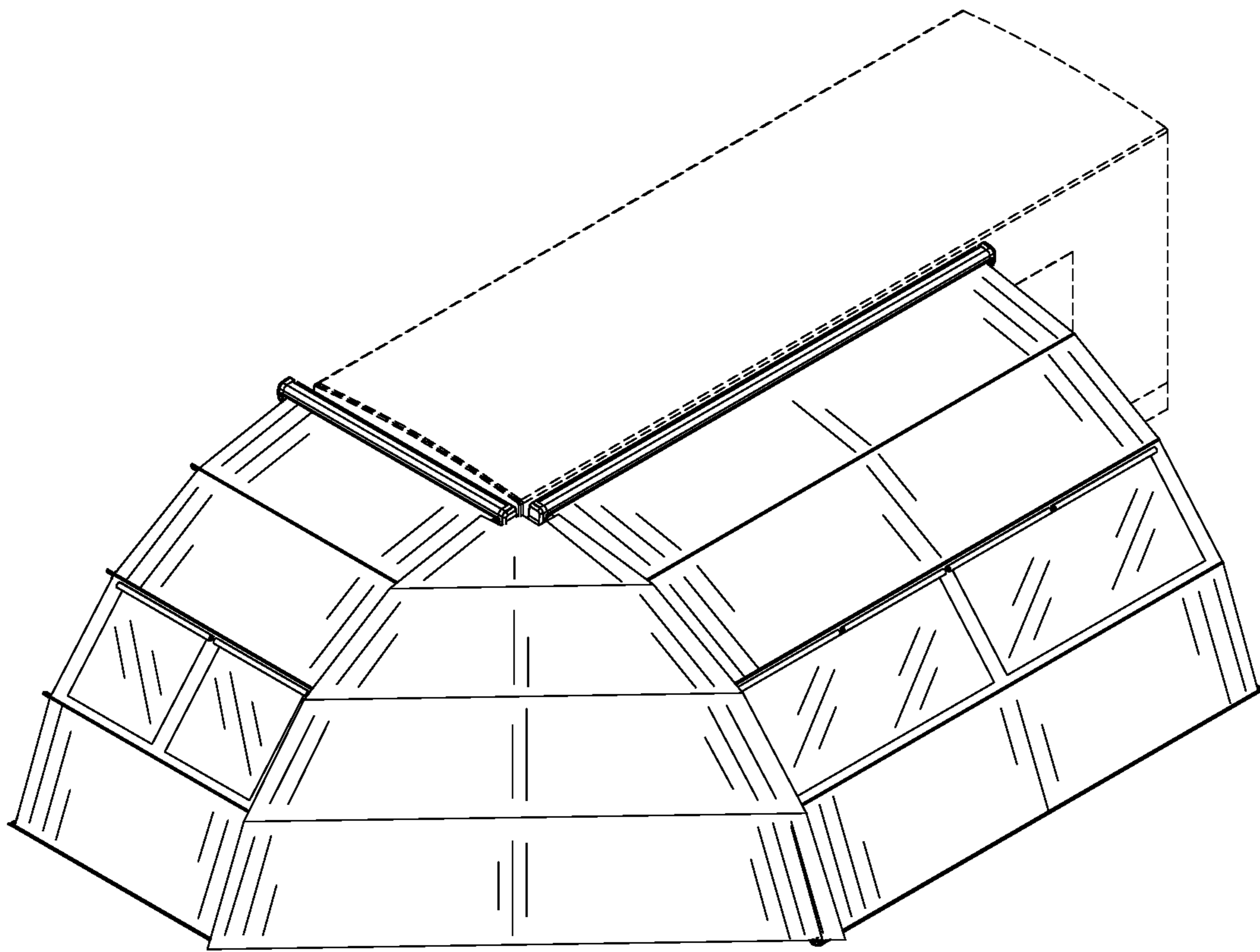


FIG. 32

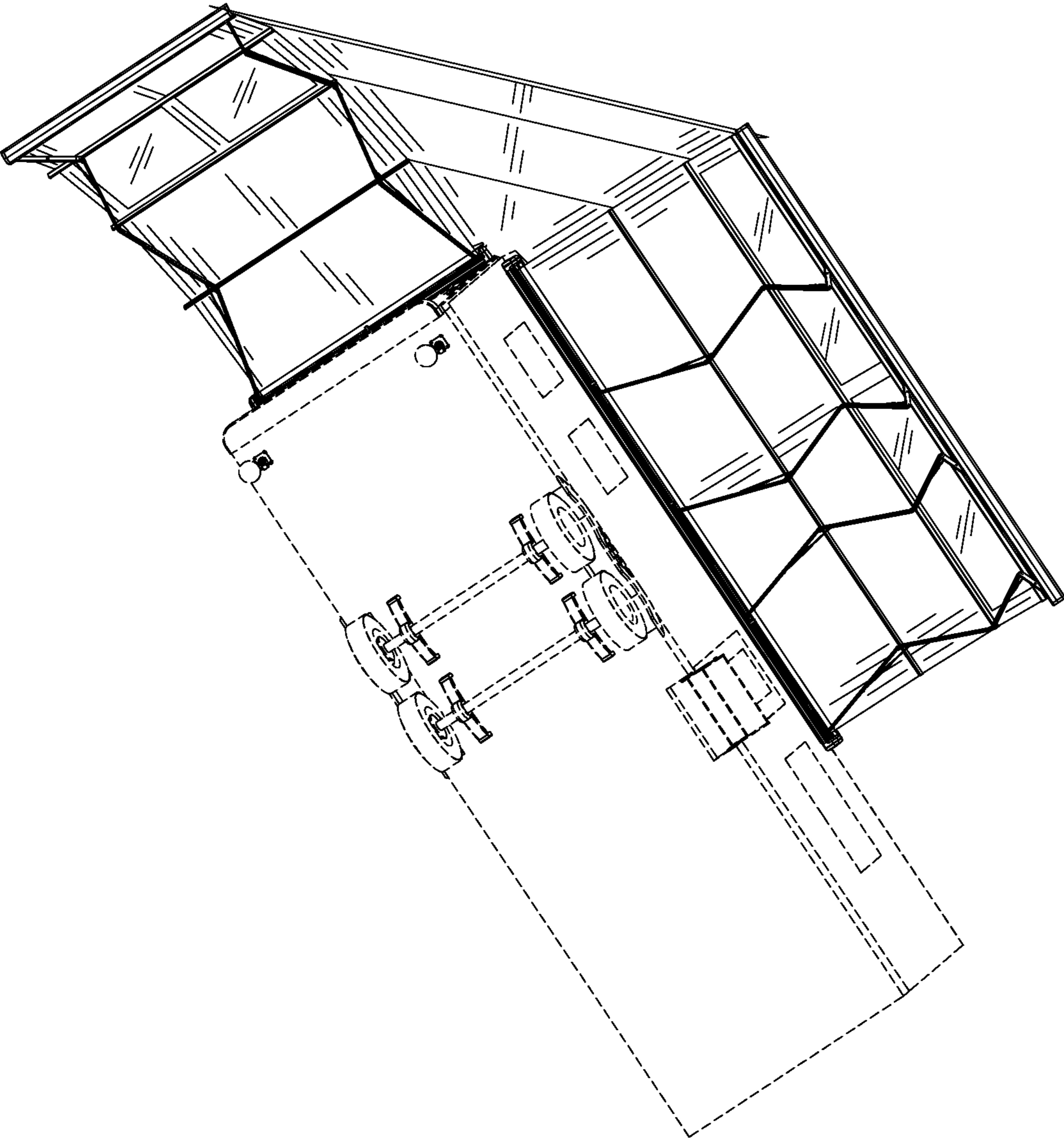


FIG. 33

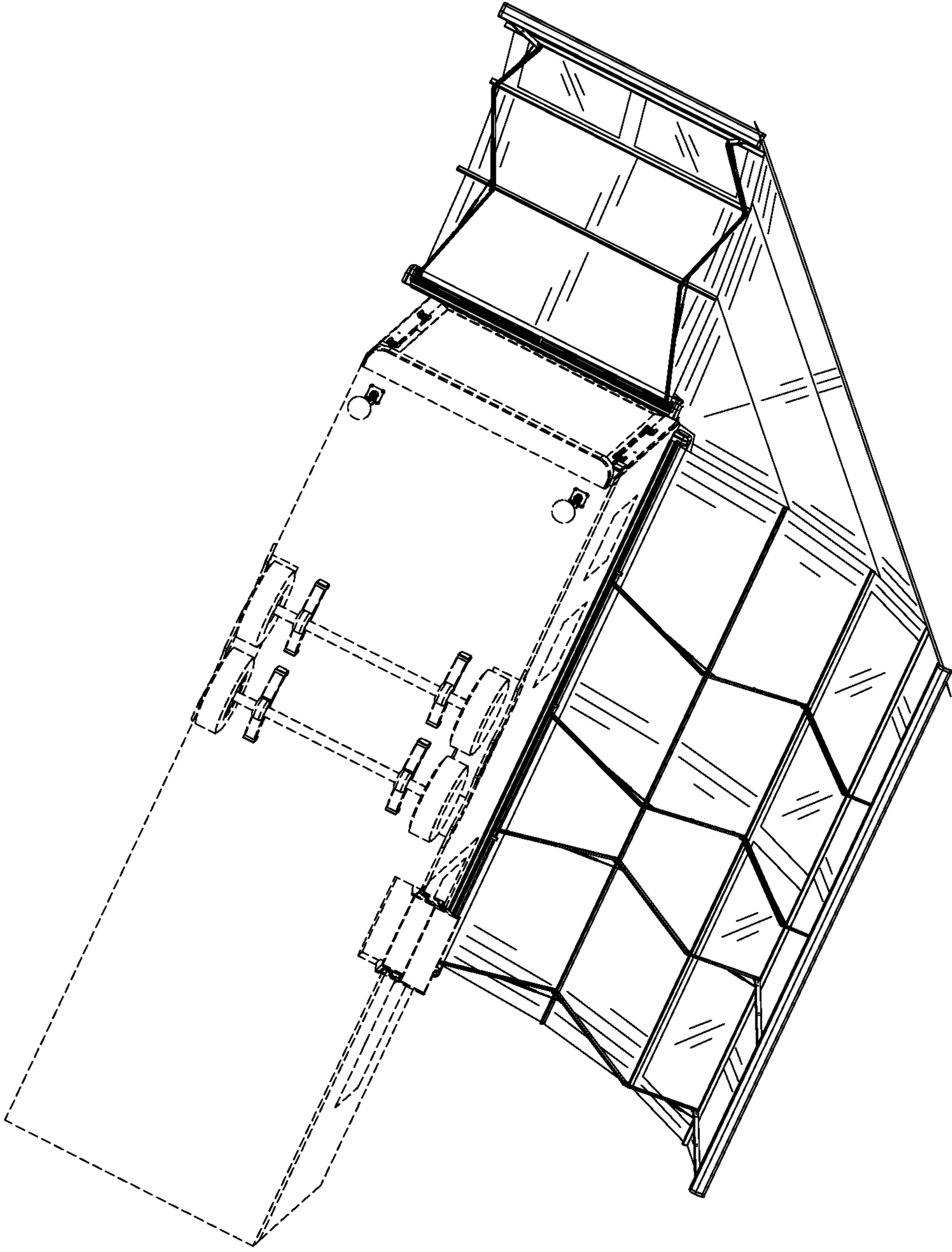


FIG. 34

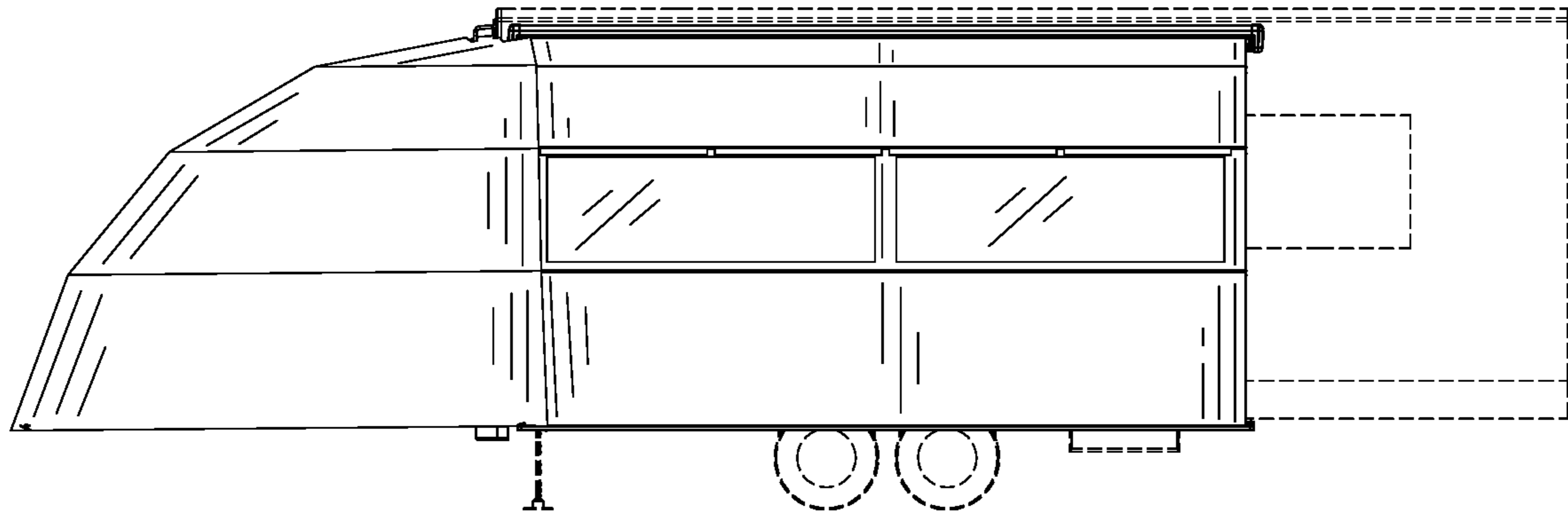


FIG. 35

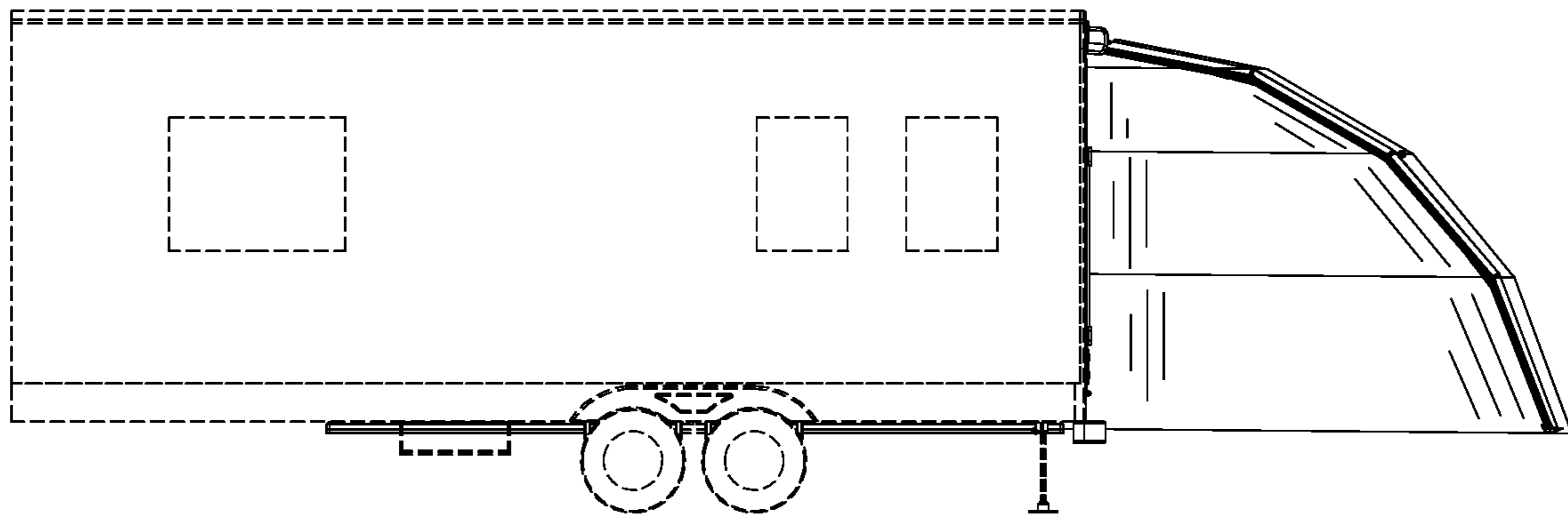


FIG. 36

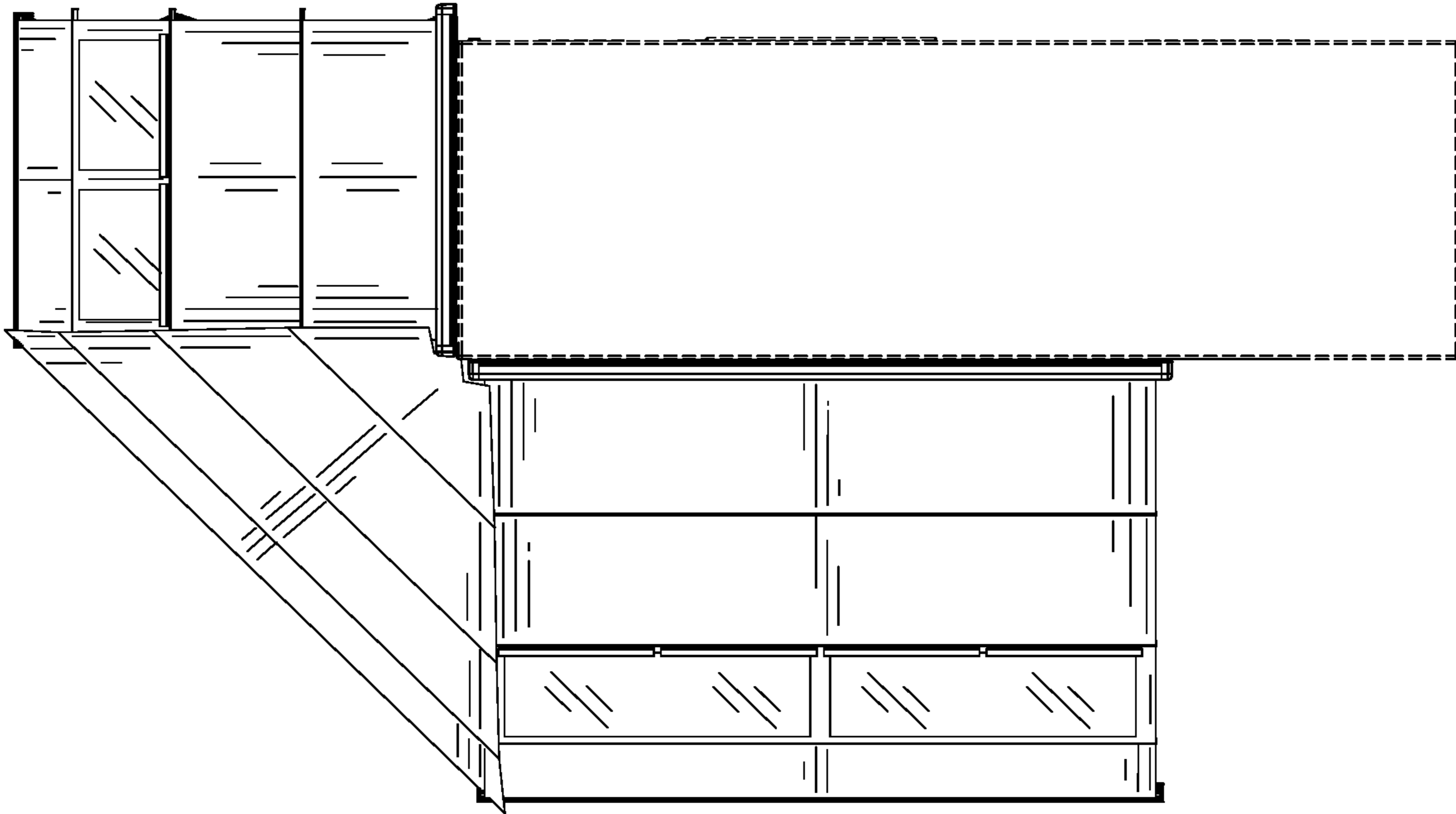


FIG. 37

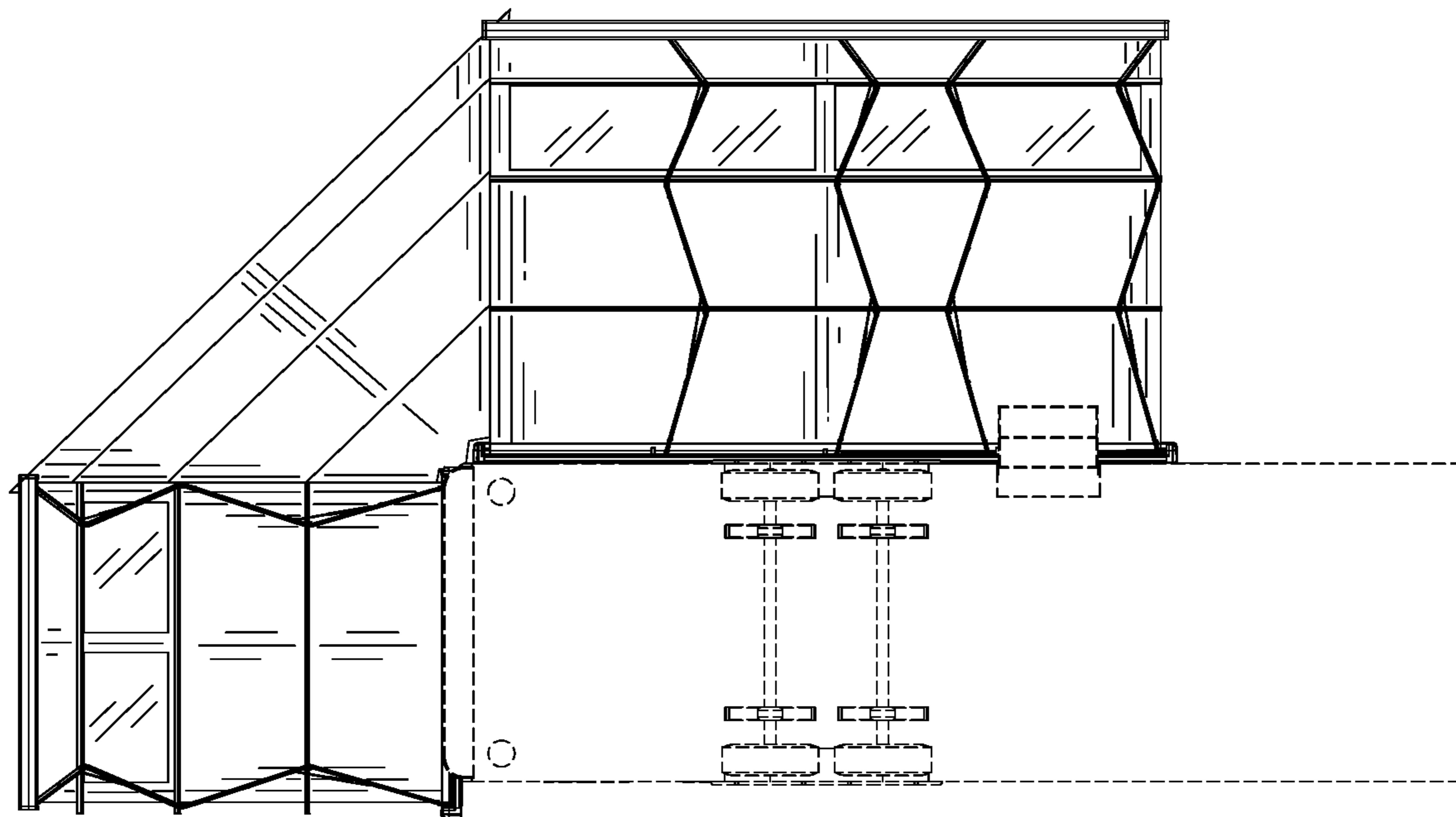


FIG. 38

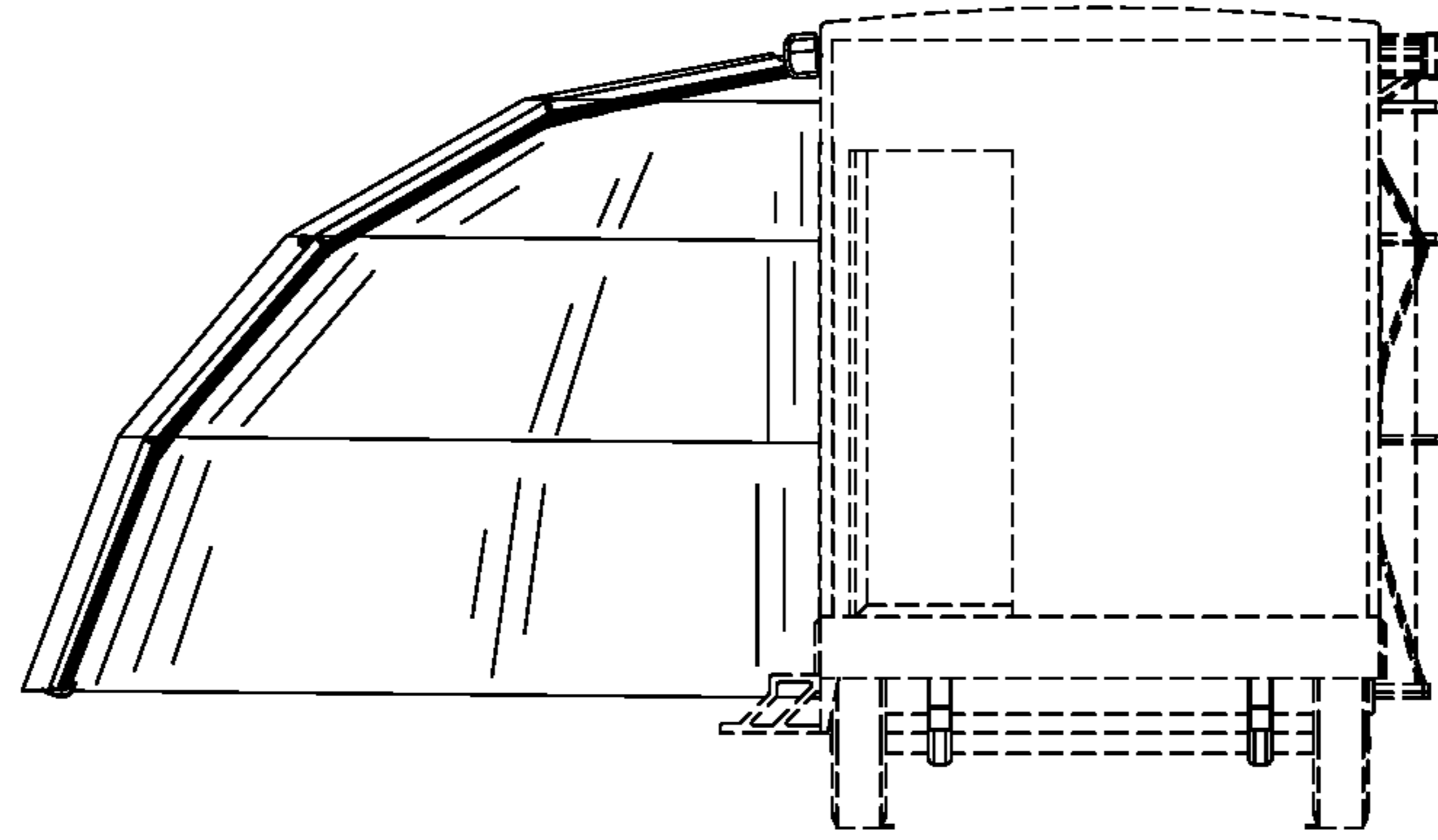


FIG. 39

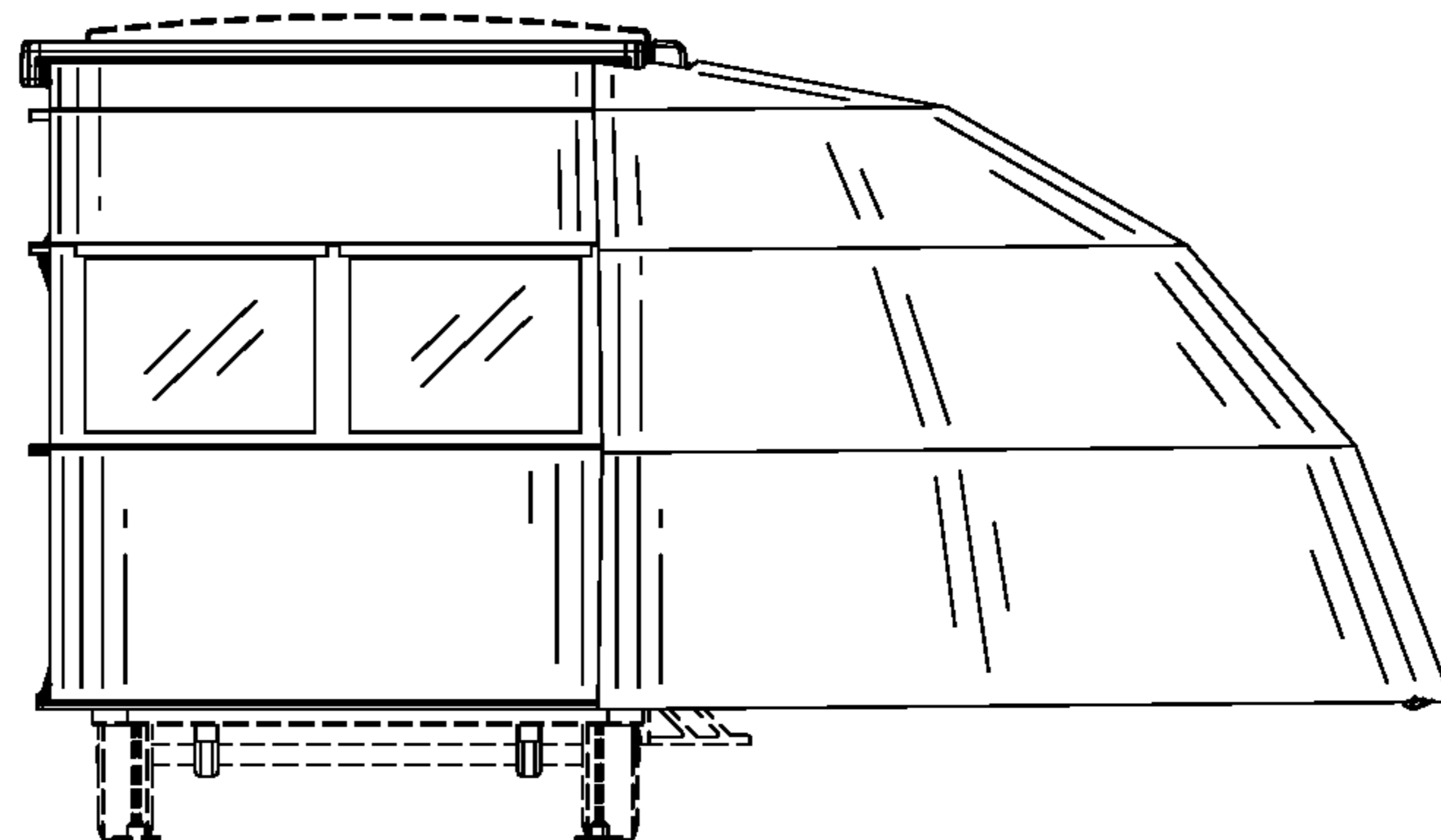


FIG. 40