



US00D942327S

(12) **United States Design Patent** (10) **Patent No.:** **US D942,327 S**
Crijns et al. (45) **Date of Patent:** **** Feb. 1, 2022**

(54) **CAR BODY, TOY CAR BODY REPLICA AND/OR OTHER REPLICA**

(71) Applicant: **McLaren Automotive Limited**, Woking (GB)
(72) Inventors: **Steve Crijns**, Surrey (GB); **Gareth Culverhouse**, Woking (GB); **Robert Melville**, Woking (GB)

(73) Assignee: **McLaren Automotive Limited**, Woking (GB)

(**) Term: **15 Years**

(21) Appl. No.: **29/731,597**

(22) Filed: **Apr. 16, 2020**

(30) **Foreign Application Priority Data**

Oct. 17, 2019 (GB) 6074200

(51) **LOC (13) Cl.** **12-08**

(52) **U.S. Cl.**
USPC **D12/88**

(58) **Field of Classification Search**
USPC D12/86, 90-92, 164; D21/433, 434, D21/531-535; 296/181.1-181.5, 183.1
CPC B62D 25/00; B62D 25/06; B62D 33/00; B62D 35/00
See application file for complete search history.

(56) **References Cited**

U.S. PATENT DOCUMENTS

D715,690 S * 10/2014 Perini D12/88
D745,439 S 12/2015 Manzoni
D767,446 S 9/2016 Stephenson
D768,035 S * 10/2016 Goto D12/88
D772,106 S * 11/2016 Hitzinger D12/88
D790,398 S * 6/2017 Perini D12/88
D790,402 S * 6/2017 Perini D12/92

D801,227 S * 10/2017 Stephenson D12/88
D839,133 S * 1/2019 Hilton D12/88
D844,488 S * 4/2019 Melville D12/88
D845,170 S * 4/2019 Melville D12/88
D871,969 S * 1/2020 Selipanov D12/88
D873,178 S 1/2020 Howse et al.
D887,901 S * 6/2020 Shkinder D12/92
D891,299 S 7/2020 Shkinder et al.
D899,305 S * 10/2020 Melville D12/88
D906,888 S * 1/2021 Satulovsky D12/98

(Continued)

OTHER PUBLICATIONS

[No Author Listed] McLaren 12C GT Can-Am Edition. Publicly available Nov. 17, 2012. 3 pages.

(Continued)

Primary Examiner — Melody N Brown

(74) *Attorney, Agent, or Firm* — Wolf, Greenfield & Sacks, P.C.

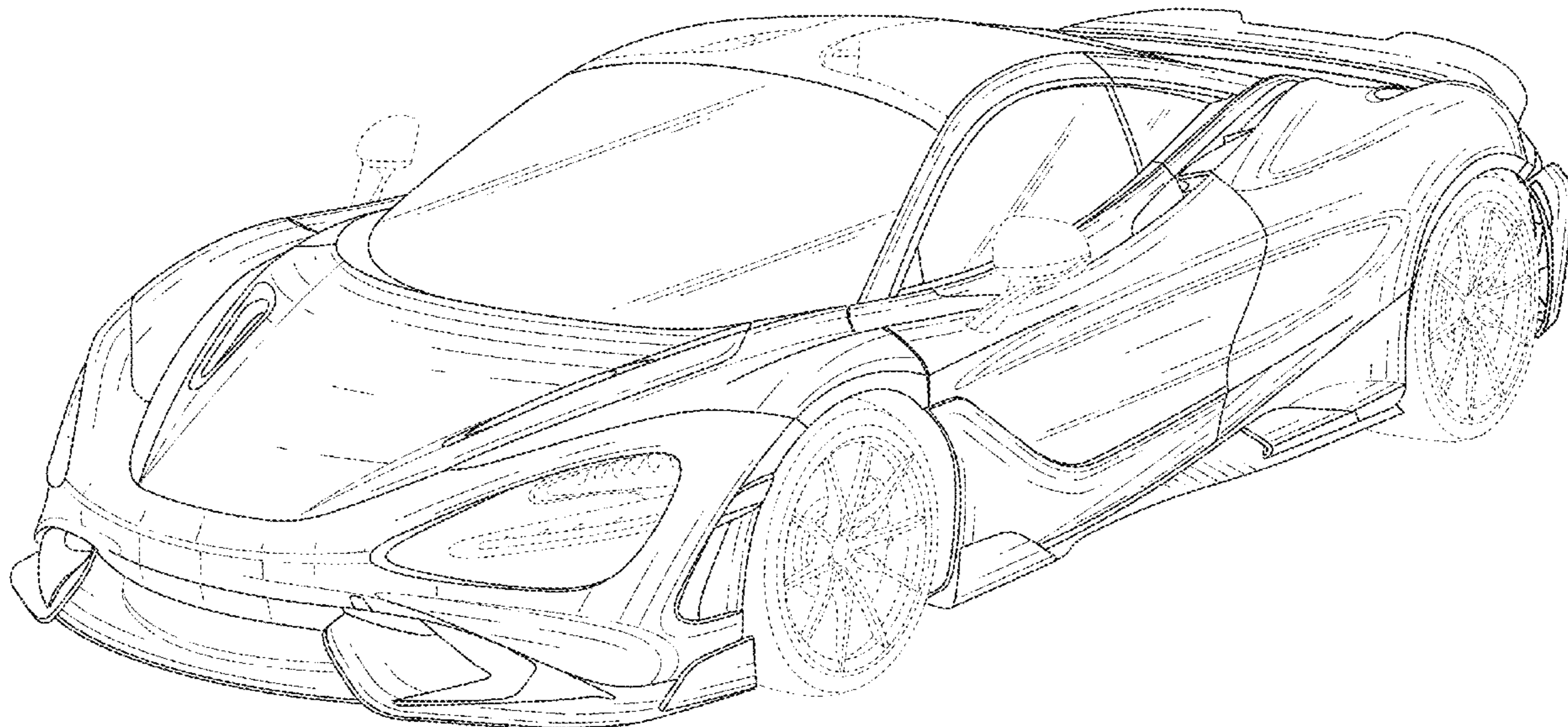
(57) **CLAIM**

The ornamental design for a car body, toy car body replica and/or other replica, as shown and described.

DESCRIPTION

FIG. 1 is a top, front and right side perspective view of a car body, toy car body replica and/or other replica showing our new design;
FIG. 2 is a top, rear, and left side perspective view thereof;
FIG. 3 is a right side elevation view thereof;
FIG. 4 is a left side elevation view thereof;
FIG. 5 is a front elevation view thereof;
FIG. 6 is a rear elevation view thereof; and,
FIG. 7 is a top plan view thereof.
The broken lines illustrate portions of the car body, toy car body replica and/or other replica that form no part of the claimed design.

1 Claim, 7 Drawing Sheets



(56)

References Cited

U.S. PATENT DOCUMENTS

D911,874 S	*	3/2021	Melville	D12/88
D913,155 S	*	3/2021	Pishevar	D12/88
D913,848 S	*	3/2021	Suehlmann	D12/88
D914,542 S	*	3/2021	Jirec	D12/88
D915,239 S	*	4/2021	Cattabriga	D12/86
D918,312 S	*	5/2021	Manzoni	D21/548
D920,841 S	*	6/2021	Bonzanigo	D12/88

OTHER PUBLICATIONS

[No Author Listed] McLaren 600LT Spider. Publicly available Jan. 16, 2019. 5 pages.

[No Author Listed] McLaren 650S GT3. Publicly available Jun. 27, 2014. 3 pages.

[No Author Listed] McLaren 650S Sprint. Publicly available Aug. 11, 2014. 3 pages.

[No Author Listed] McLaren 675LT Coupe. Publicly available Feb. 25, 2015. 3 pages.

[No Author Listed] McLaren 675LT Spider. Publicly available Dec. 3, 2015. 3 pages.

[No Author Listed] McLaren 720S. Publicly available Mar. 7, 2017. 3 pages.

[No Author Listed] McLaren 720S Spider. Publicly available Dec. 8, 2018. 3 pages.

[No Author Listed] McLaren GT Superlight Grand Touring. Publicly available May 15, 2019. 5 pages.

[No Author Listed] McLaren P1. Publicly available Oct. 25, 2012. 6 pages.

[No Author Listed] McLaren P1 GTR. Publicly available Aug. 16, 2014. 3 pages.

* cited by examiner

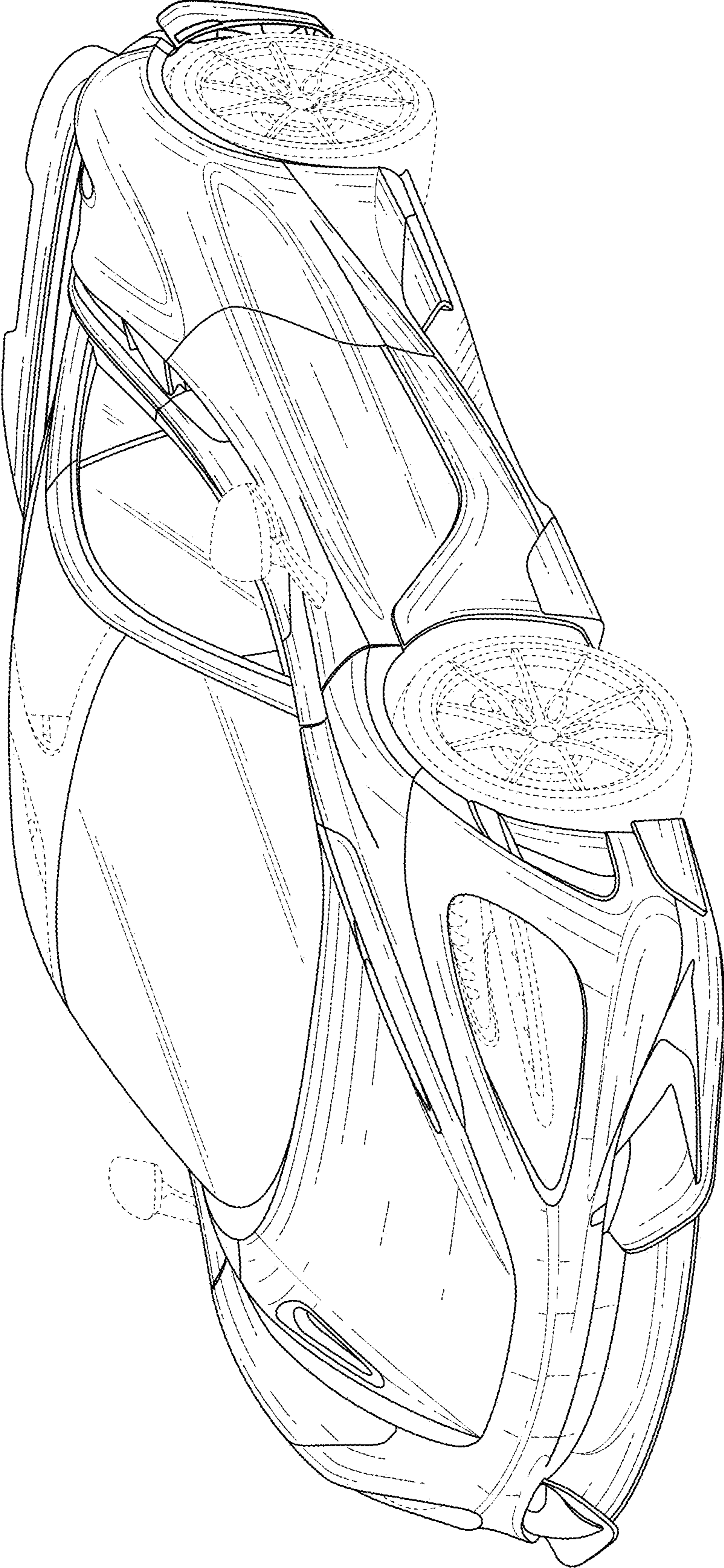


FIG. 1

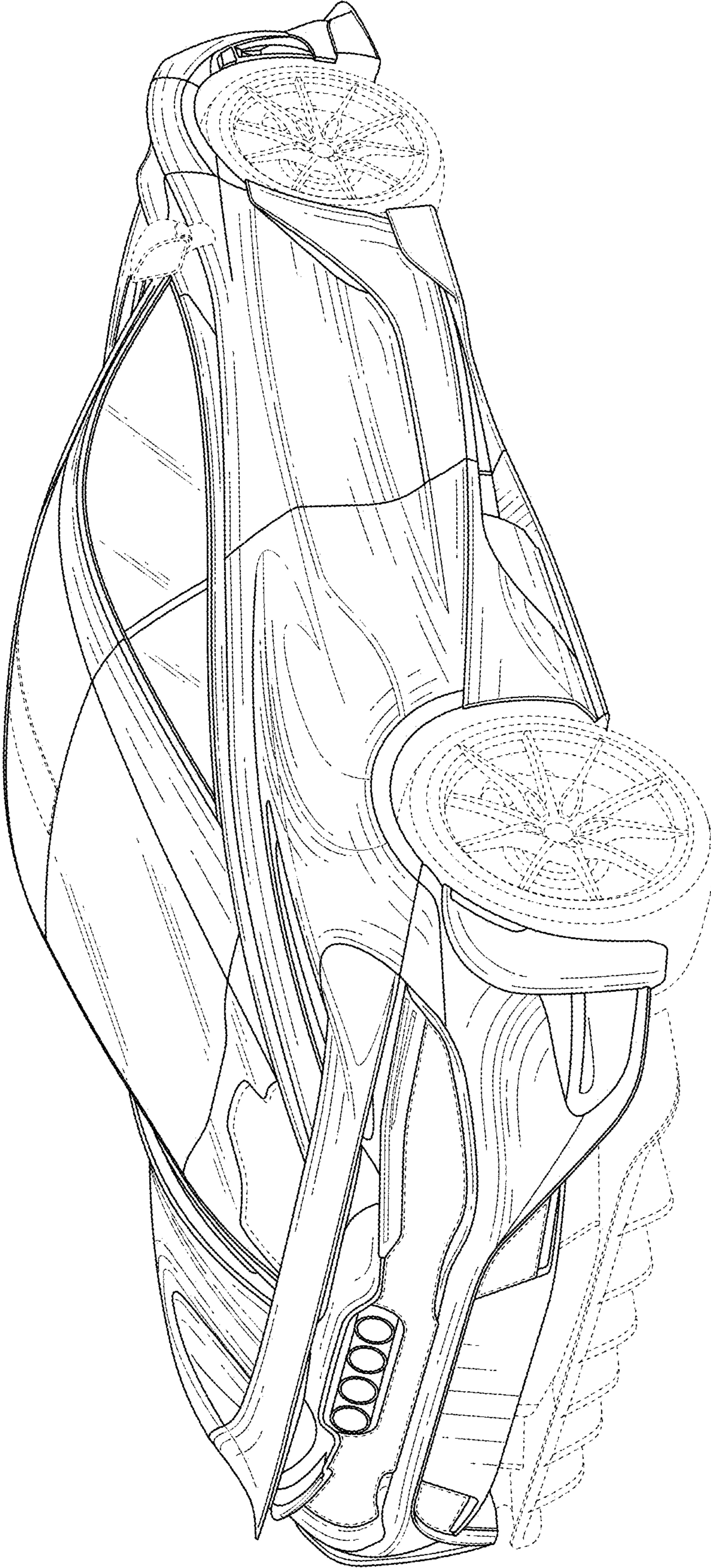


FIG. 2

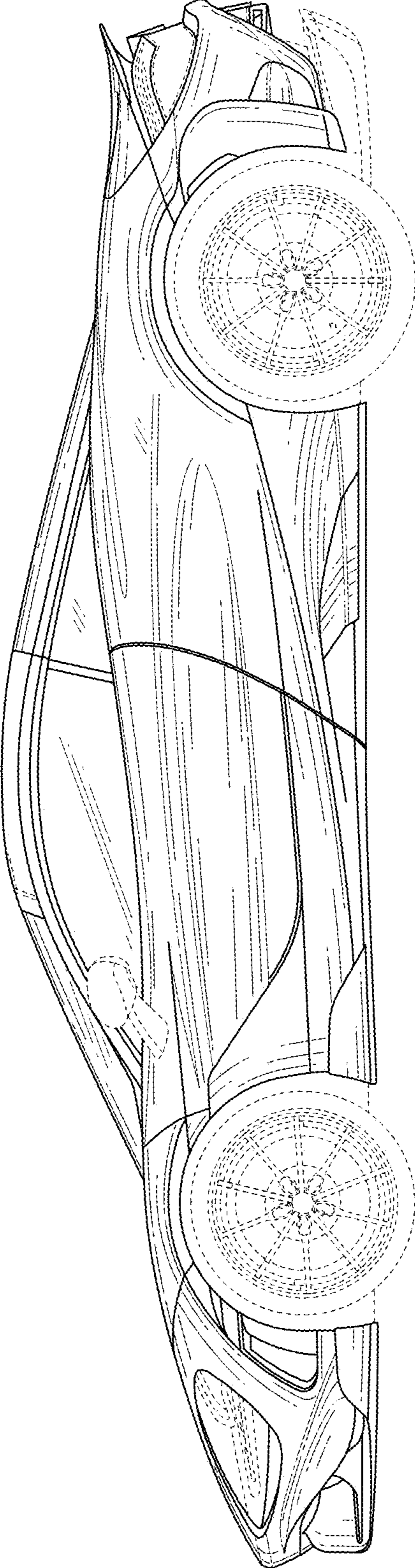


FIG. 3

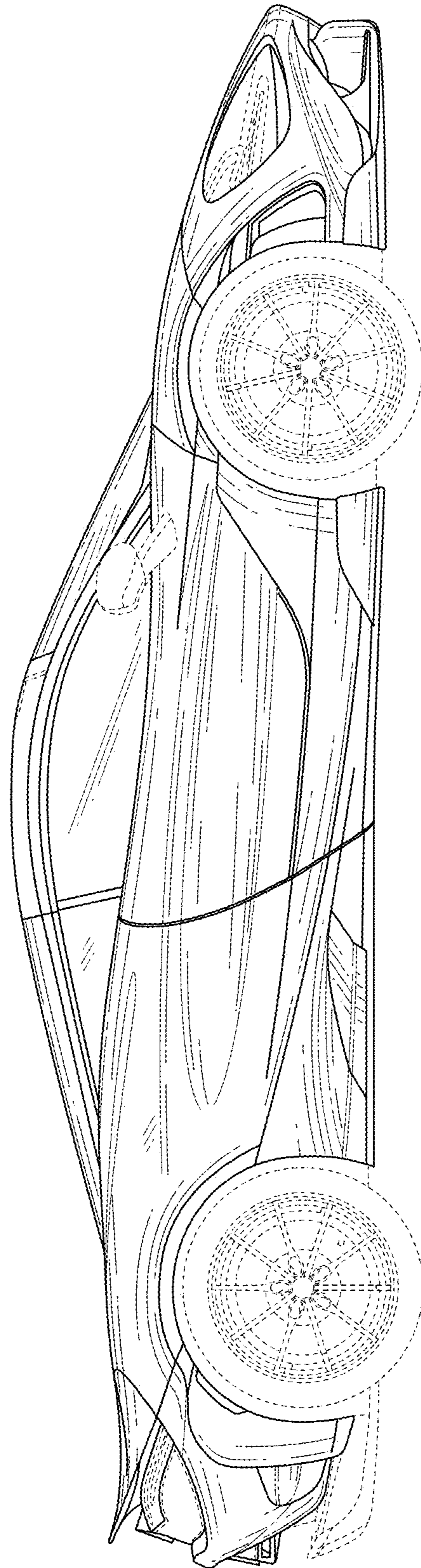


FIG. 4

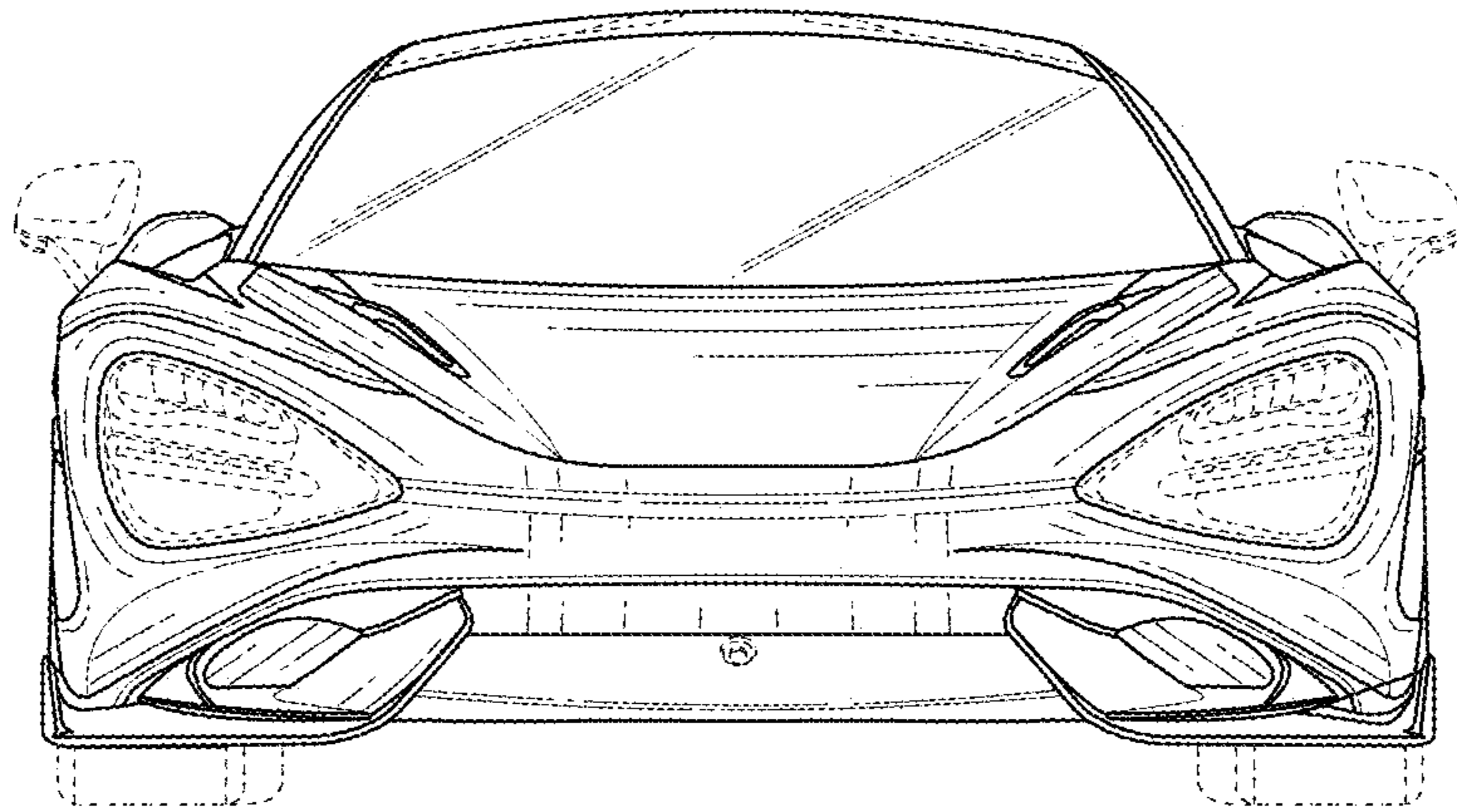


FIG. 5

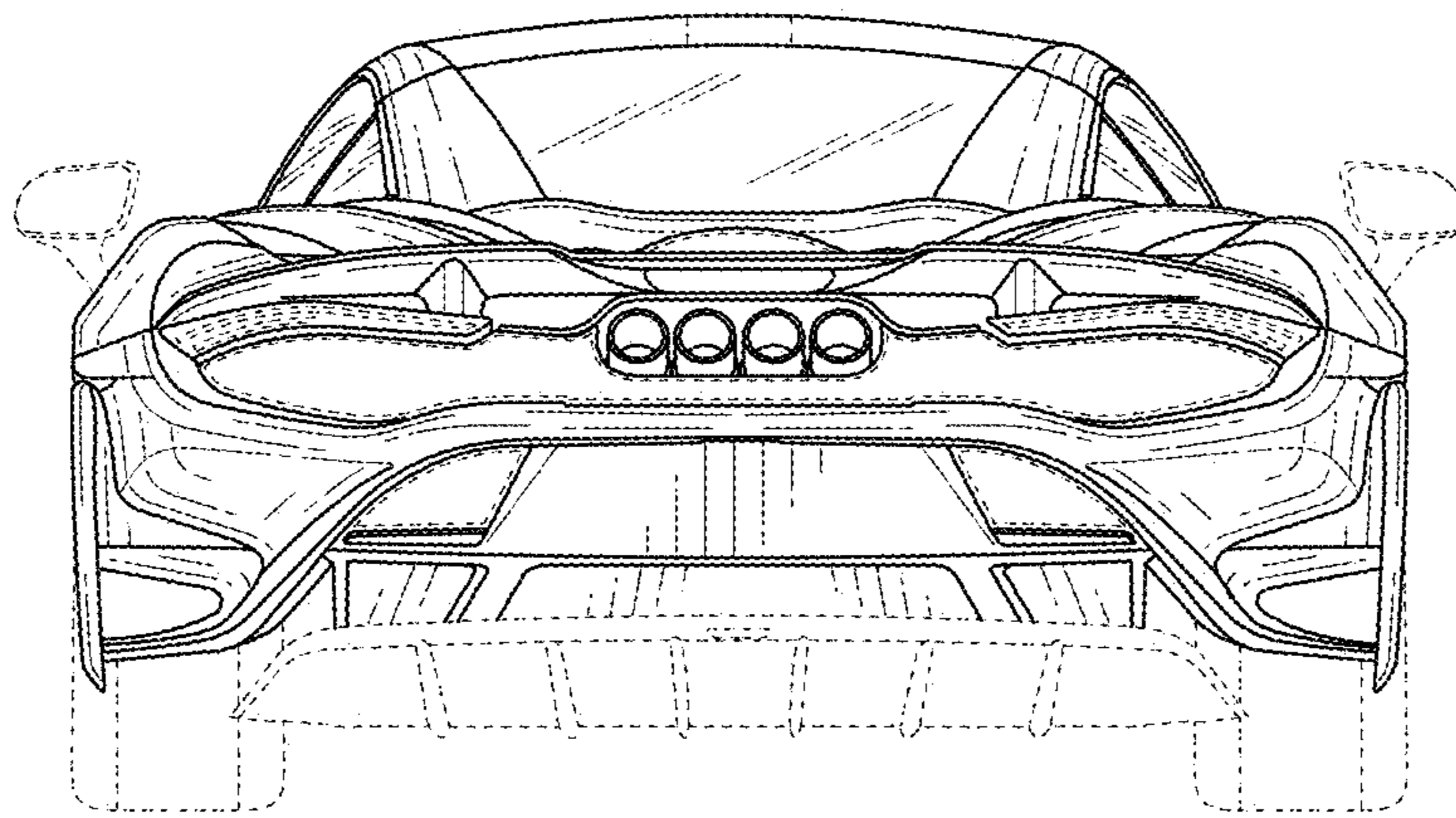


FIG. 6

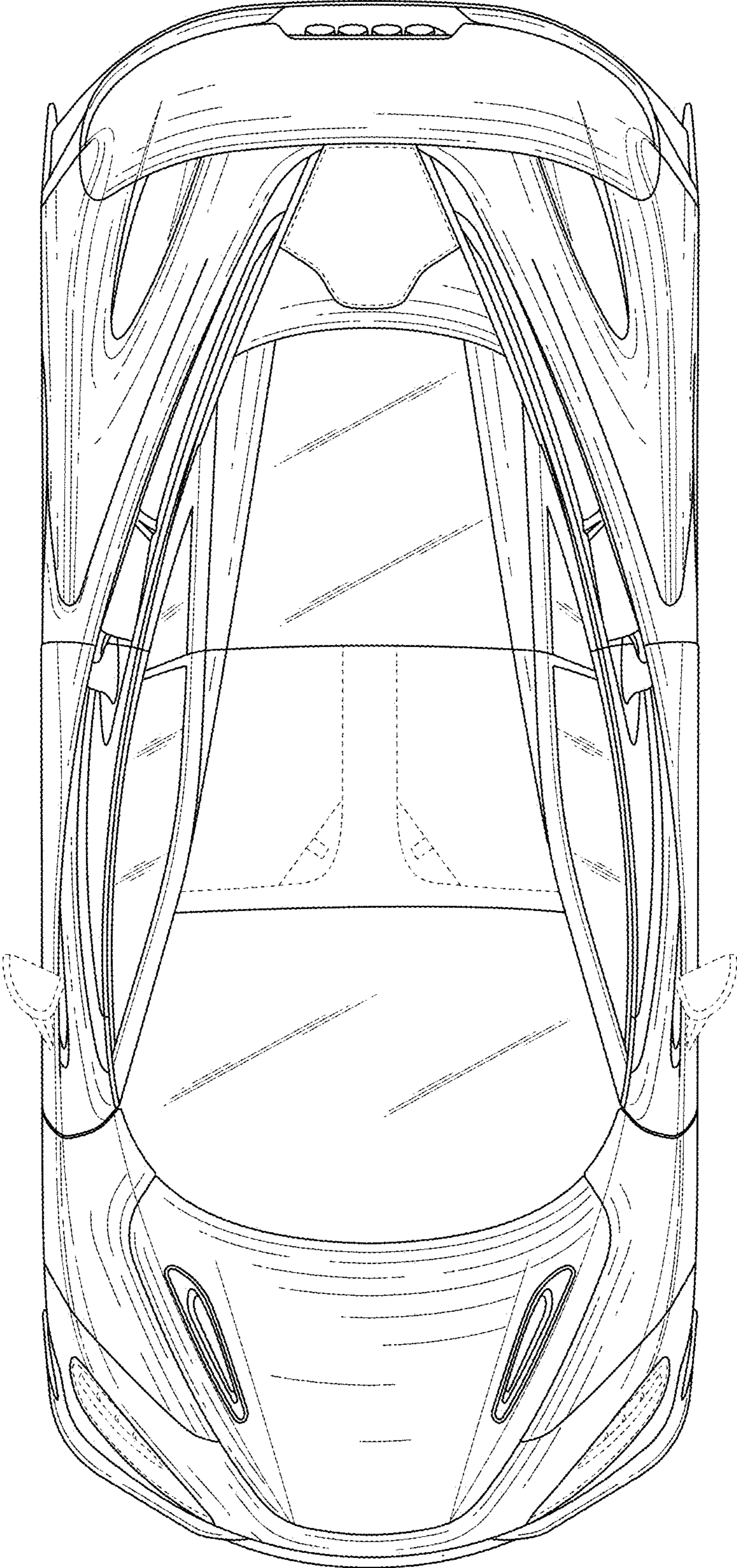


FIG. 7