



US00D942322S

(12) **United States Design Patent** (10) **Patent No.:** **US D942,322 S**  
**Evans et al.** (45) **Date of Patent:** **\*\* Feb. 1, 2022**

(54) **ASSEMBLIES MOUNTABLE TO  
LOCOMOTIVE HANDRAILING**

FOREIGN PATENT DOCUMENTS

DE 20013623 U1 11/2000  
DE 20013623 U1 11/2000

(71) Applicant: **Cattron North America, Inc.**, Warren,  
OH (US)

(Continued)

(72) Inventors: **Richard Allen Evans**, Brookfield, OH  
(US); **Mark Anthony Balent**,  
Youngstown, OH (US); **Matthew  
Adkins**, Warren, OH (US)

OTHER PUBLICATIONS

Extended European Search Report for European application No.  
19191260 which names the same inventor and assignee but is not  
related through a priority claim; dated Mar. 25, 2020, 10 pages.

(Continued)

(73) Assignee: **Cattron North America, Inc.**

*Primary Examiner* — Ania Aman

(\*\*) Term: **15 Years**

(74) *Attorney, Agent, or Firm* — Harness, Dickey &  
Pierce, P.L.C.; Anthony Fussner

(21) Appl. No.: **29/659,954**

(57) **CLAIM**

(22) Filed: **Aug. 14, 2018**

The ornamental design for an assembly mountable to loco-  
motive handrailing, as shown and described.

(51) **LOC (13) Cl.** ..... **12-03**

**DESCRIPTION**

(52) **U.S. Cl.**

USPC ..... **D12/42**

(58) **Field of Classification Search**

USPC ..... D12/406, 407, 408, 414, 50, 49, 48, 47,  
D12/43; D6/552, 716.3

CPC ..... B61C 17/12; B60R 11/00

See application file for complete search history.

(56) **References Cited**

U.S. PATENT DOCUMENTS

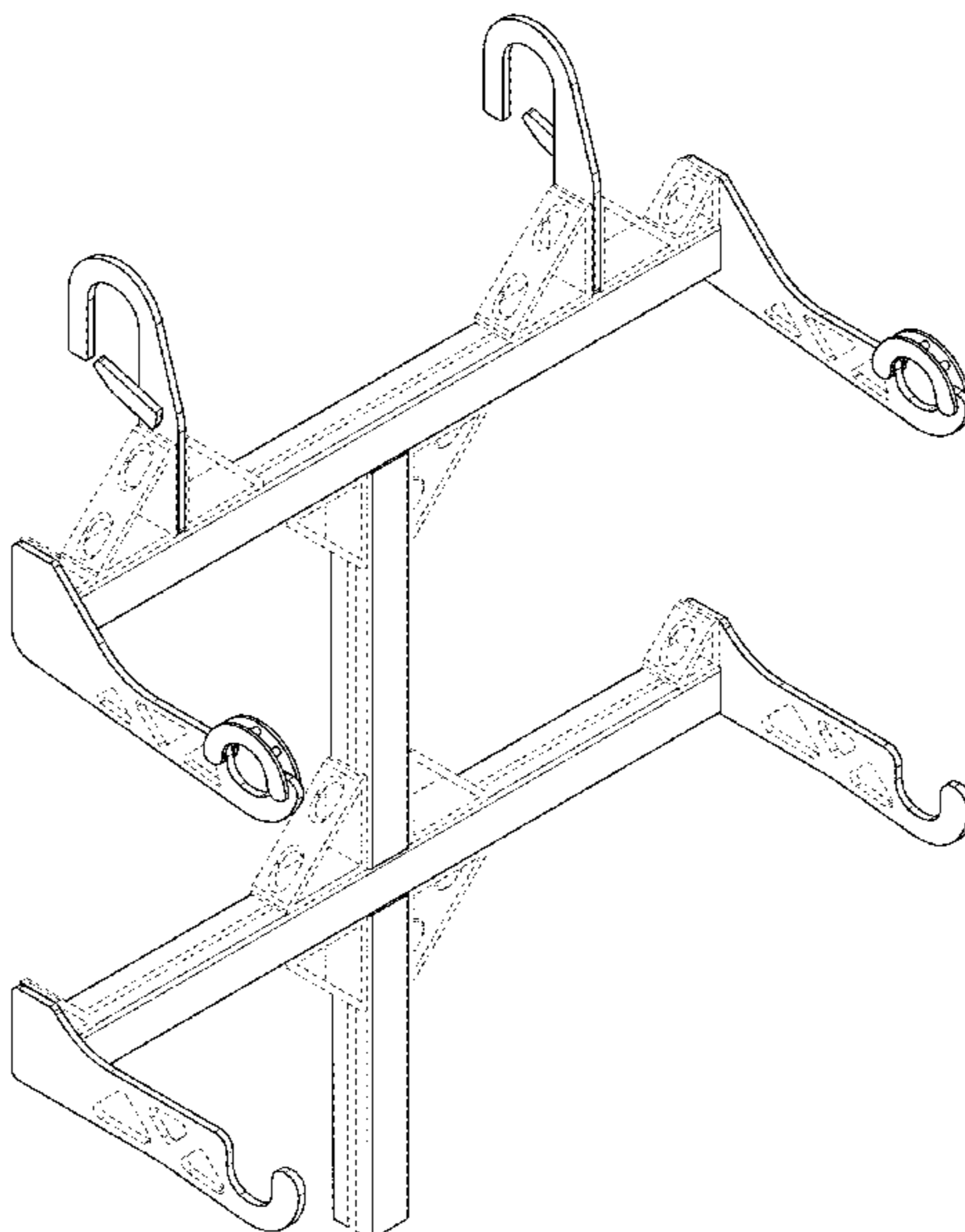
4,949,068 A 8/1990 Johnston et al.  
5,022,538 A 6/1991 Richmond et al.  
D369,139 S \* 4/1996 Joder ..... D12/408  
6,079,515 A 6/2000 Newman  
6,659,777 B1 12/2003 Rondeau  
6,729,485 B2 5/2004 Ehrgott  
D533,743 S \* 12/2006 Eastman ..... D6/552  
8,033,842 B2 10/2011 Arie et al.  
8,479,930 B1 7/2013 Cohen

(Continued)

FIG. 1 is a perspective view of an assembly mountable to  
locomotive handrailing showing our new design;  
FIG. 2 is another perspective view of the assembly shown in  
FIG. 1;  
FIG. 3 is a front elevation view of the assembly shown in  
FIG. 1;  
FIG. 4 is a back elevation of the assembly shown in FIG. 1;  
FIG. 5 is a left side elevation view of the assembly shown  
in FIG. 1;  
FIG. 6 is a right side elevation view of the assembly shown  
in FIG. 1;  
FIG. 7 is a top plan view of the assembly shown in FIG. 1;  
and,  
FIG. 8 is a bottom plan view of the assembly shown in FIG.  
1.

The broken lines shown in the drawings are included for the  
purpose of illustrating portions of the article that form no  
part of the claimed design.

**1 Claim, 8 Drawing Sheets**



(56)

References Cited

U.S. PATENT DOCUMENTS

8,550,315	B2	10/2013	Houser et al.	
8,910,417	B1	12/2014	Meyers	
D784,245	S *	4/2017	Mayers .....	D12/408
D809,996	S *	2/2018	Lee .....	D12/406
9,908,470	B1	3/2018	Englander et al.	
D872,682	S *	1/2020	Grams .....	D12/406
D877,685	S *	3/2020	Larsson .....	D12/406
2002/0089416	A1	7/2002	Dornfeld	
2005/0280526	A1	12/2005	Kalafarski	
2008/0056522	A1	3/2008	Yadegari	
2008/0107284	A1	5/2008	Arie et al.	
2010/0127028	A1	5/2010	Lusk	
2010/0326316	A1	12/2010	Iden	
2012/0204422	A1	8/2012	Severson	
2013/0079959	A1	3/2013	Swanson et al.	
2015/0251668	A1	9/2015	Burg et al.	
2016/0165329	A1	6/2016	Fedyay et al.	
2019/0030446	A1	1/2019	Ring	
2020/0055527	A1	2/2020	Evans et al.	

FOREIGN PATENT DOCUMENTS

EP		2295303	A1	3/2011
RU		2544778	C1	3/2015
WO	WO-2014/028972		A1	2/2014
WO		2016127018		8/2016
WO	WO-2016127018		A1	8/2016

OTHER PUBLICATIONS

Notice of Allowance for U.S. Appl. No. 16/525,081, filed Jul. 29, 2019 which names the same inventors and assignee but is not related through a priority claim; dated Aug. 5, 2020; 6 pages.

Extended European Search Report for EP Application No. 19191281 9 which names the same inventor and assignee but is not related by a priority claim; dated Jan. 22, 2020, 8 pages.

Non-Final Office Action for U.S. Appl. No. 16/525,081, filed Jul. 29, 2019 which names the same three inventors and same assignee but is not related through a priority claim; dated Jun. 25, 2020, 12 pages.

European Search Report for EP Application No. 19191260.9 which names the same inventor and assignee but is not related by a priority claim; dated Dec. 12, 2019, 8 pages.

Train Horn—Wikipedia, [https://en.wikipedia.org/wiki/Train\\_horn](https://en.wikipedia.org/wiki/Train_horn), Aug. 7, 2018, 13 pages.

QC Portable Radio Remote Control for Locomotives, Cattron-Theimeg, Inc., <http://www.cattron.com/dnn/Portals/0/pdf/brochures/QC>, accessed Aug. 14, 2018, 2 pages.

Magnetek Material Handling, <http://www.magnetekmh.com/Railyard>, Copyright 2018, 3 pages.

Hetronic Remote Control Locomotive “All-in-one box”, <http://www.hetronic.com/Resources/News/ID/8/Hetronic-Remote-Control-Locomotive-All-in-One-Box>, Jan. 28, 2018, 2 pages.

Customer Connected, Control Chief Wireless Solutions, <http://controlchief.com/wp-content/uploads/2016/09/CorporateBrochure-PDF.pdf>, accessed Aug. 14, 2018, 6 pages.

\* cited by examiner

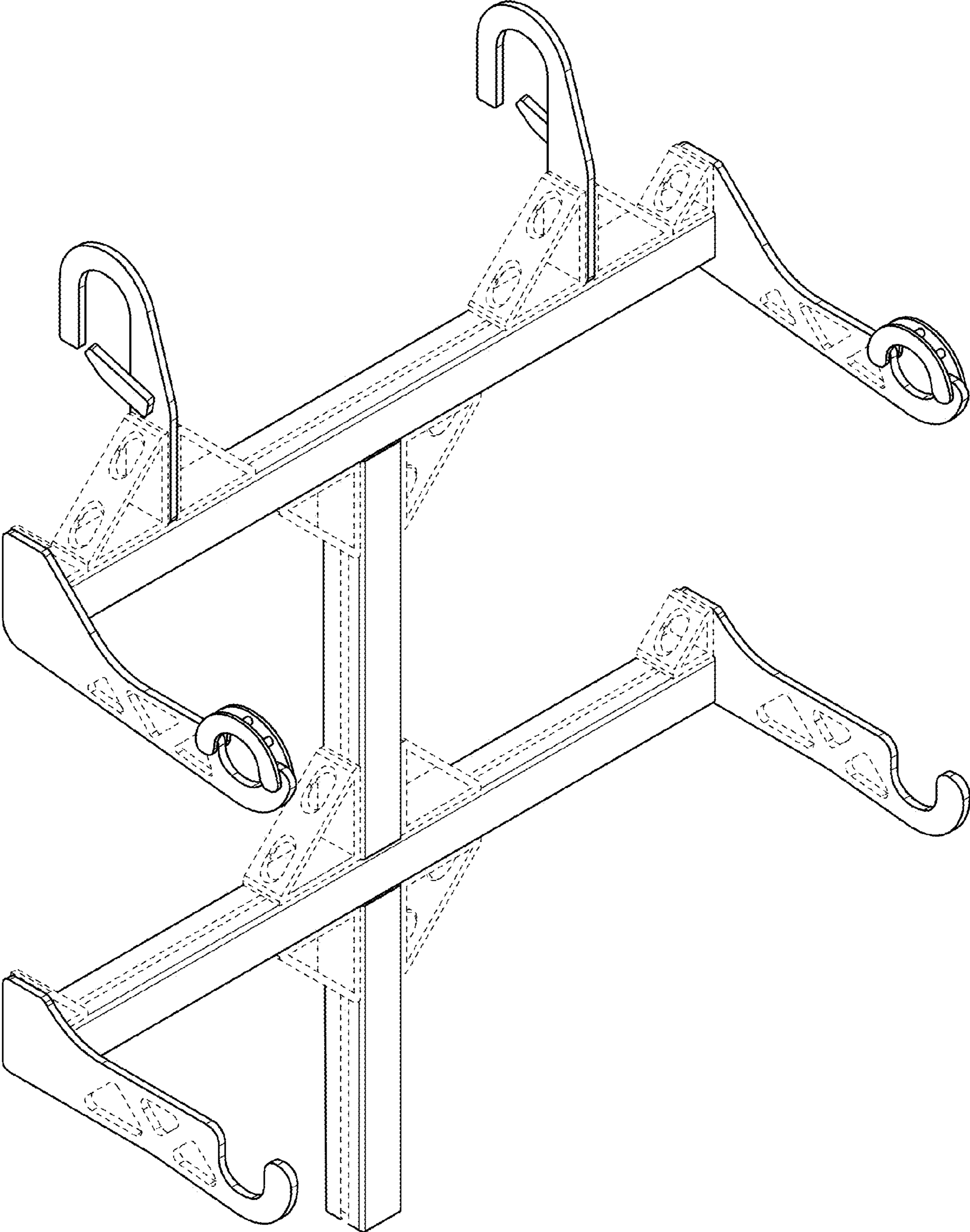


FIG. 1

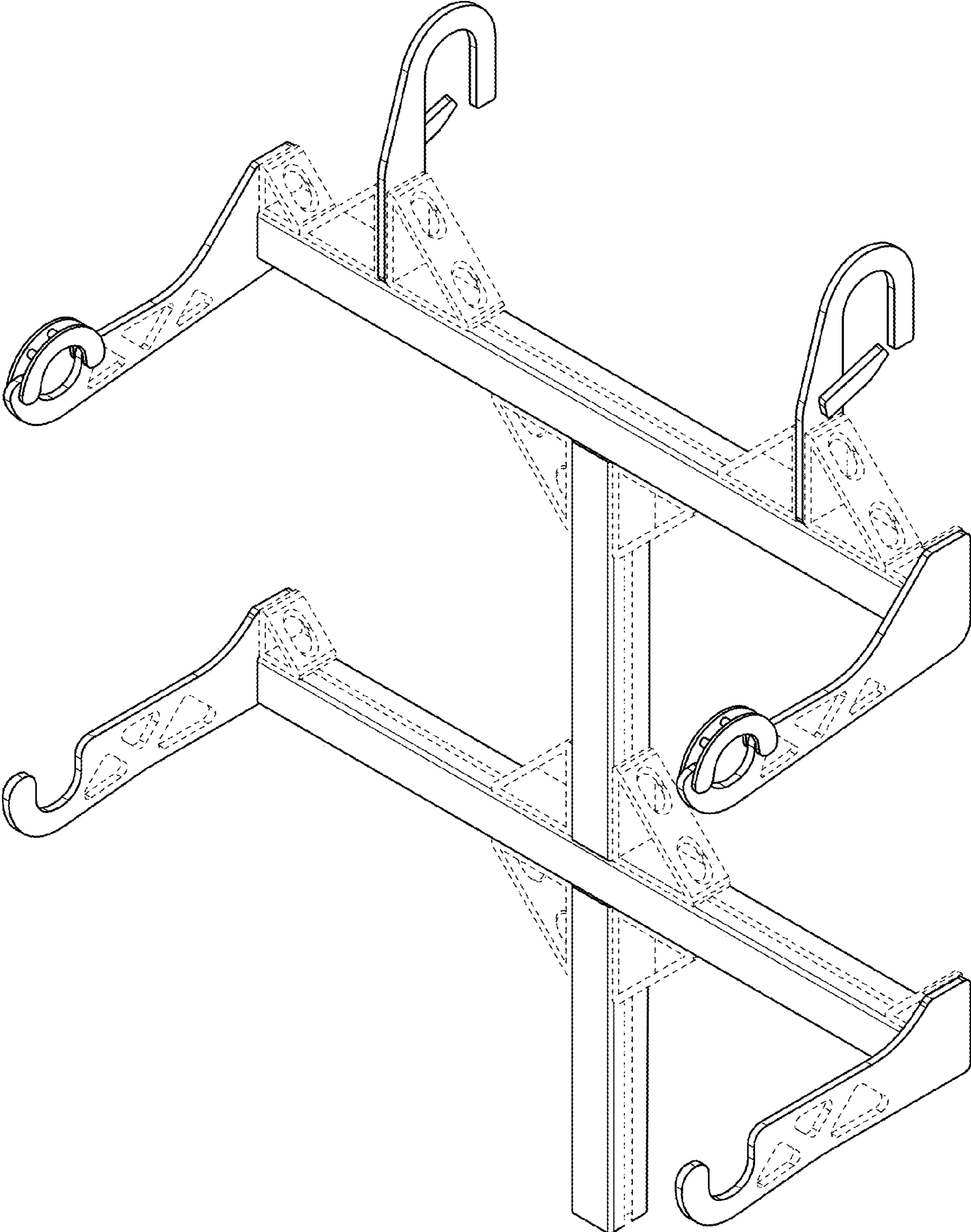


FIG. 2

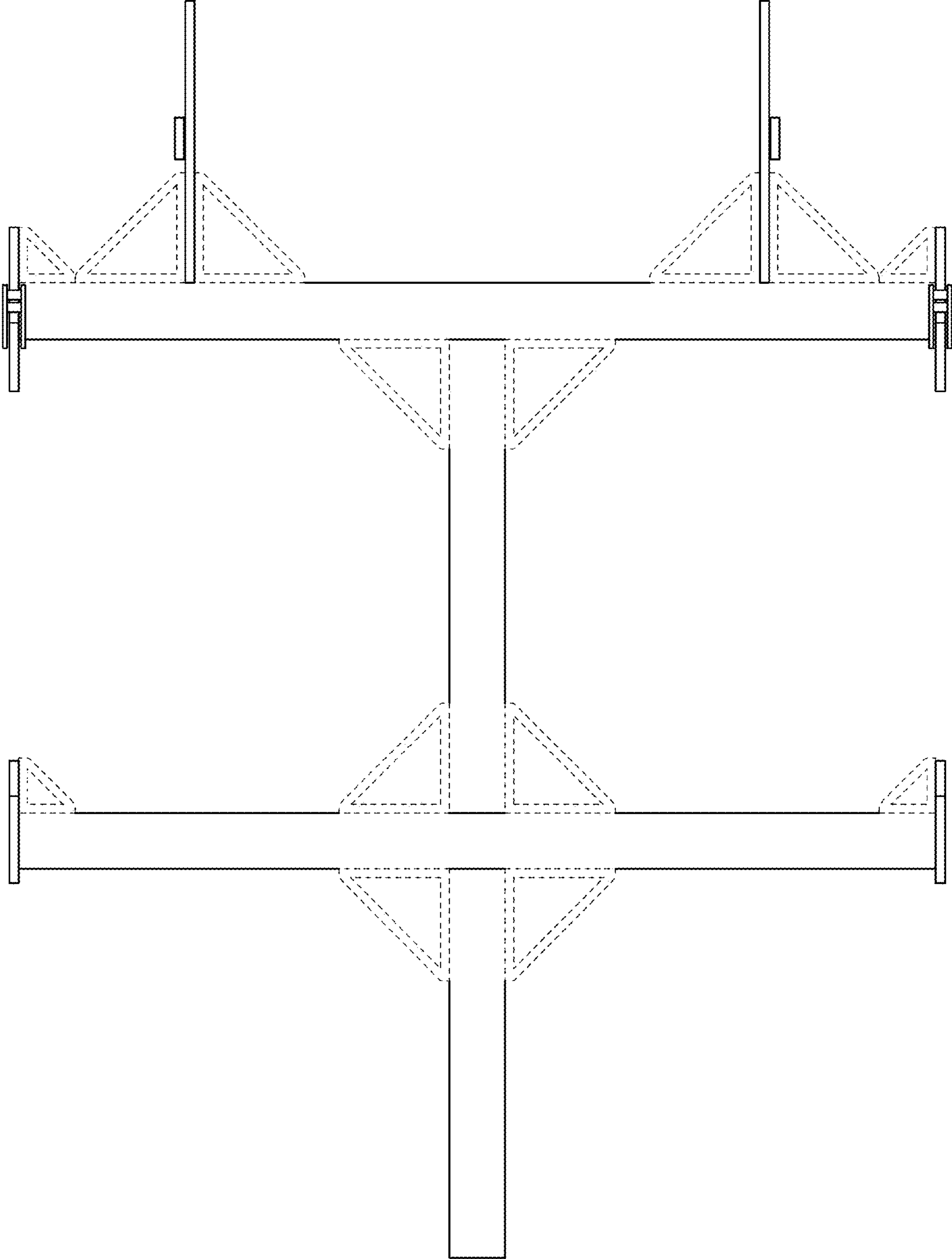


FIG. 3

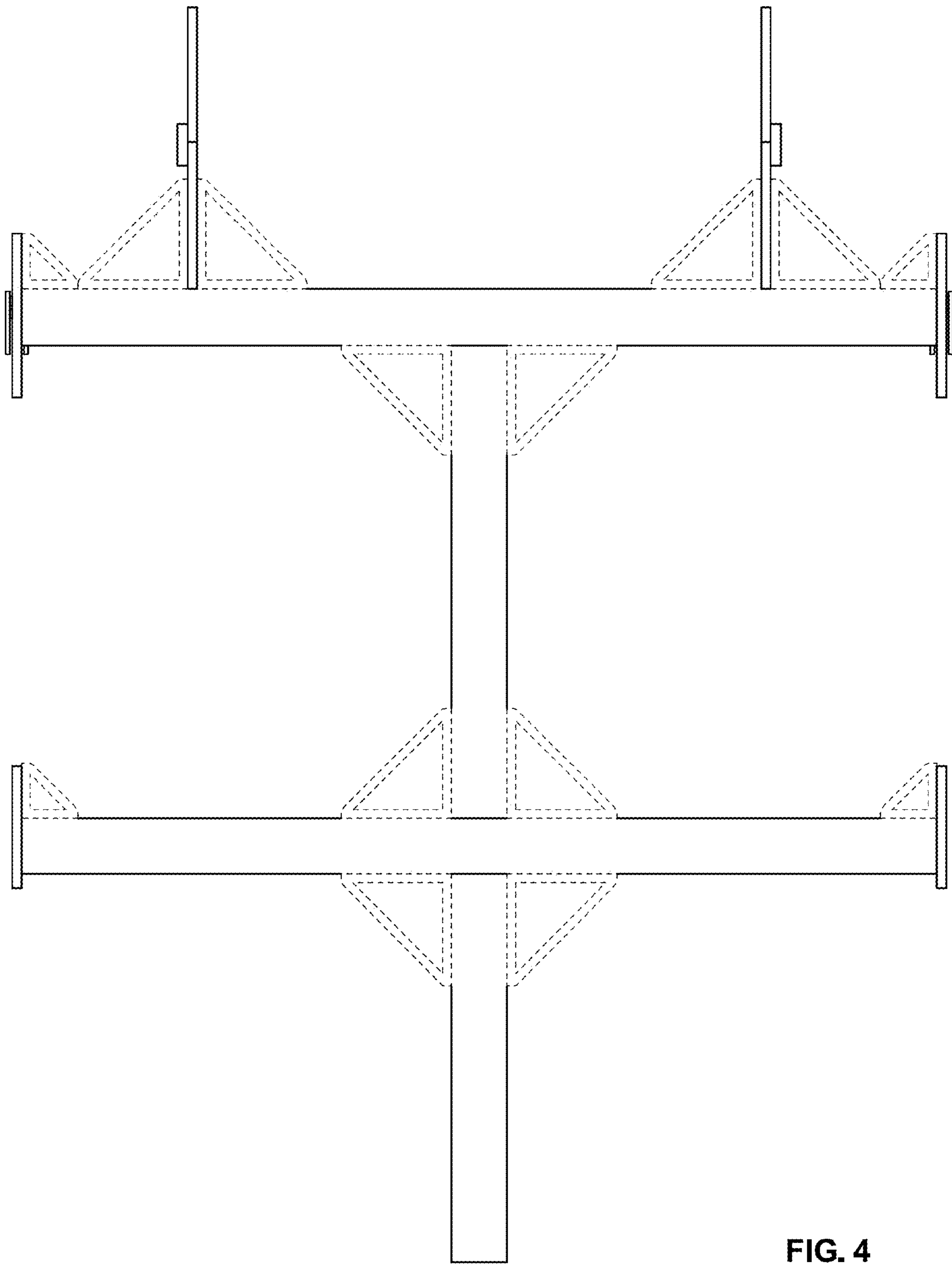


FIG. 4

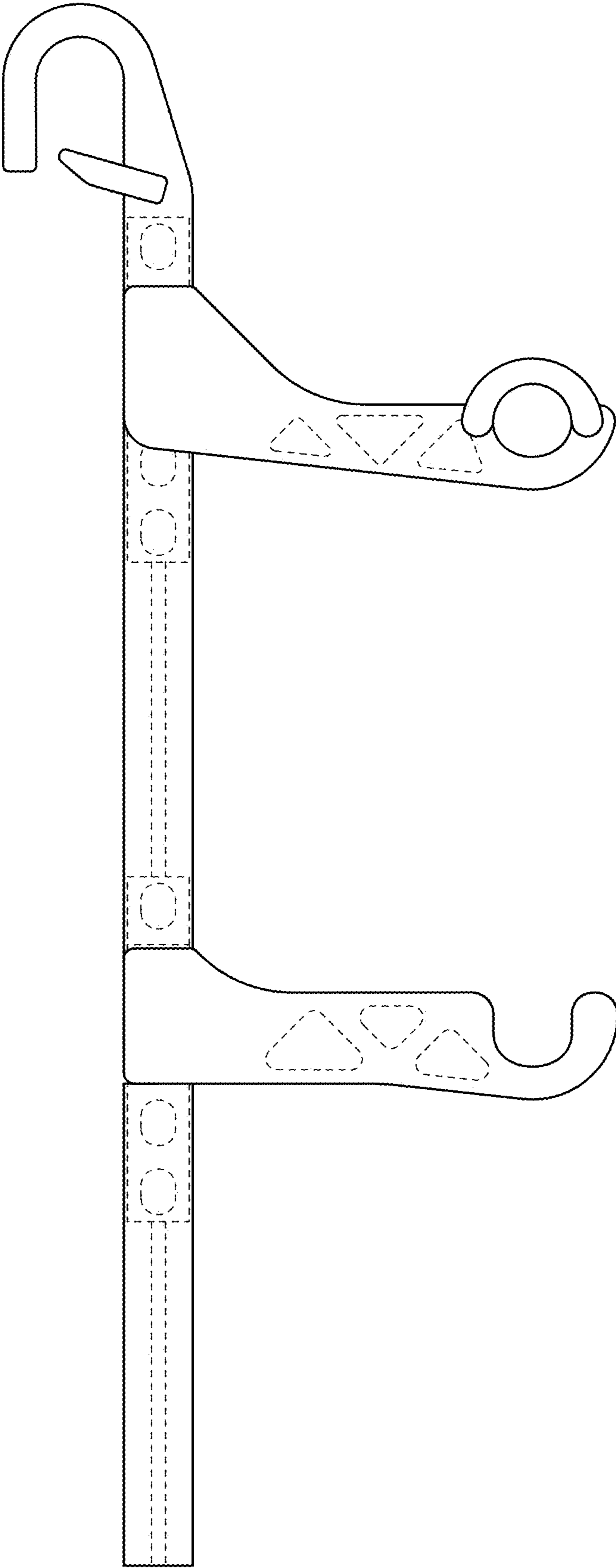


FIG. 5

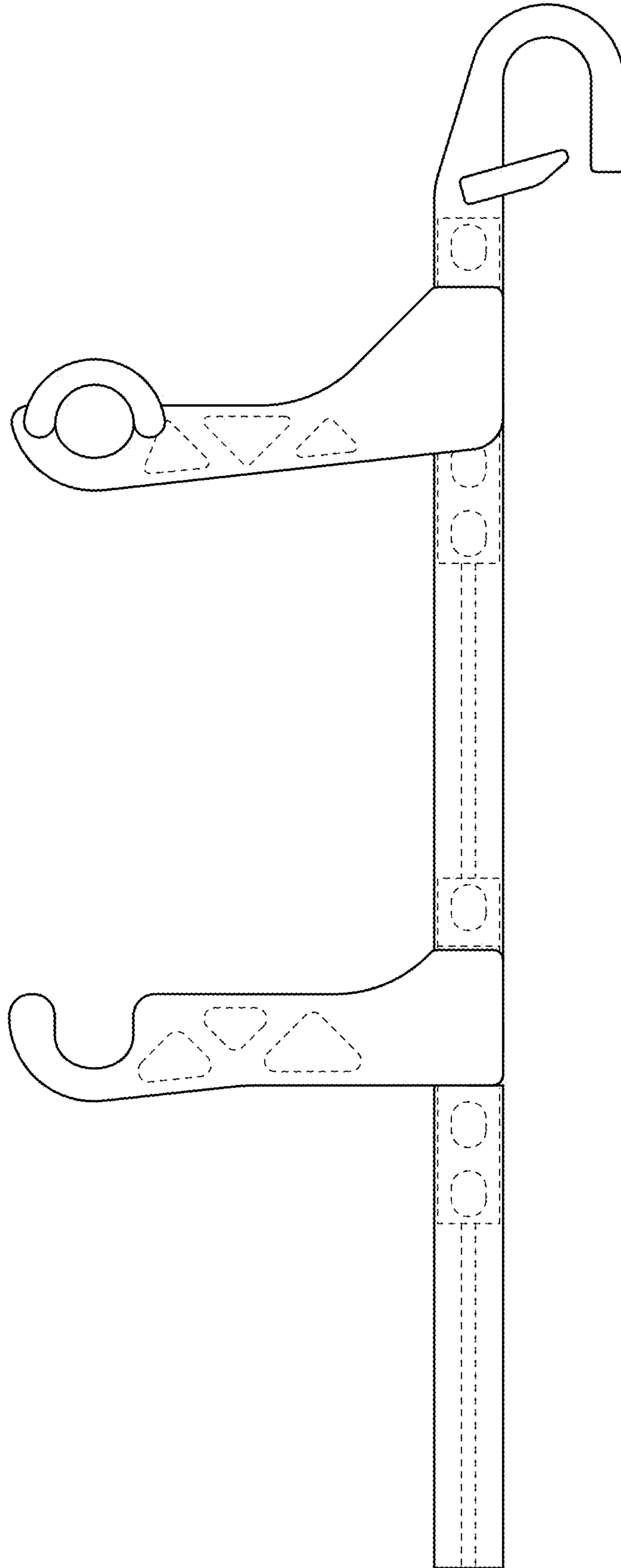


FIG. 6



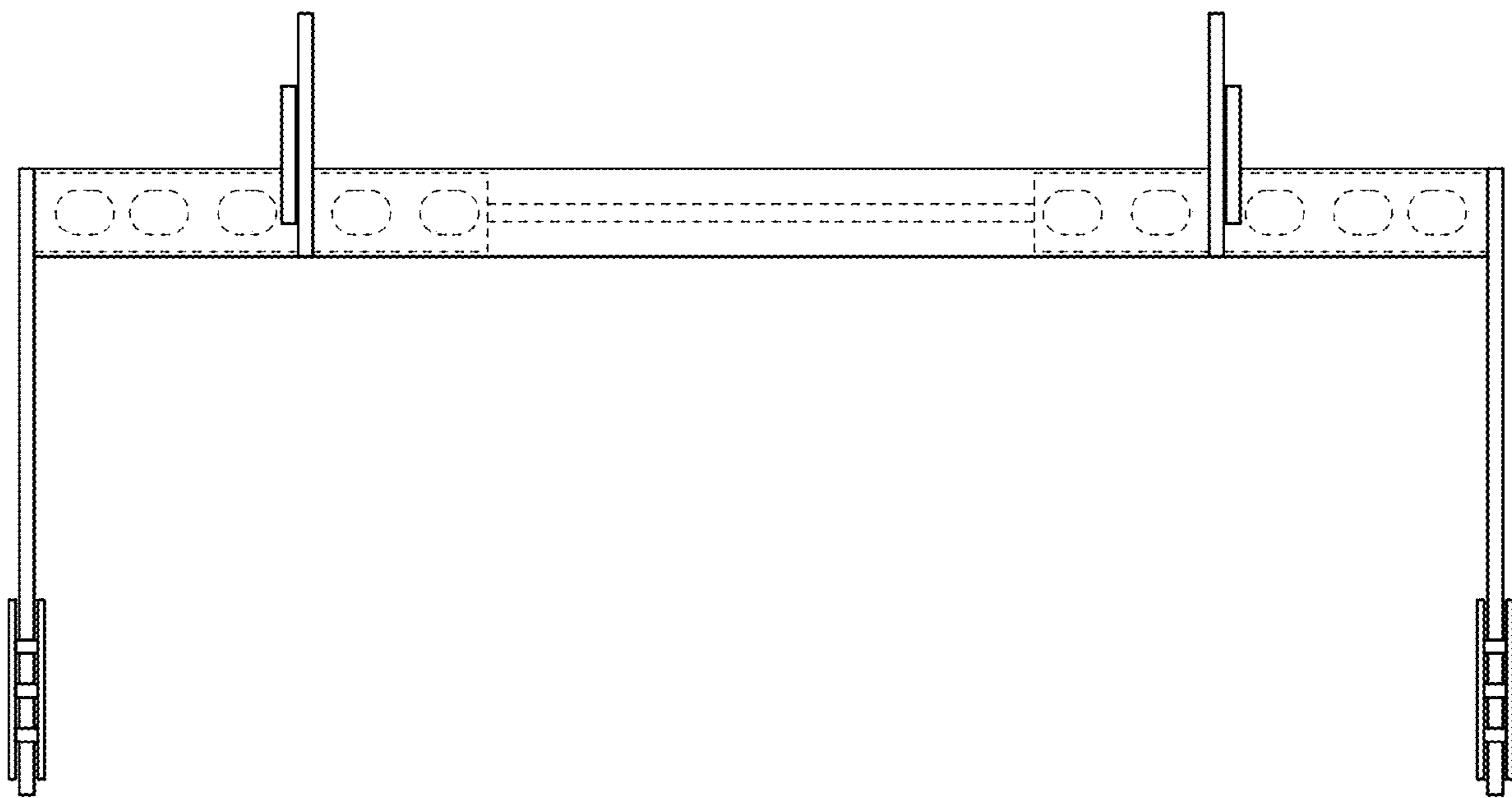


FIG. 7

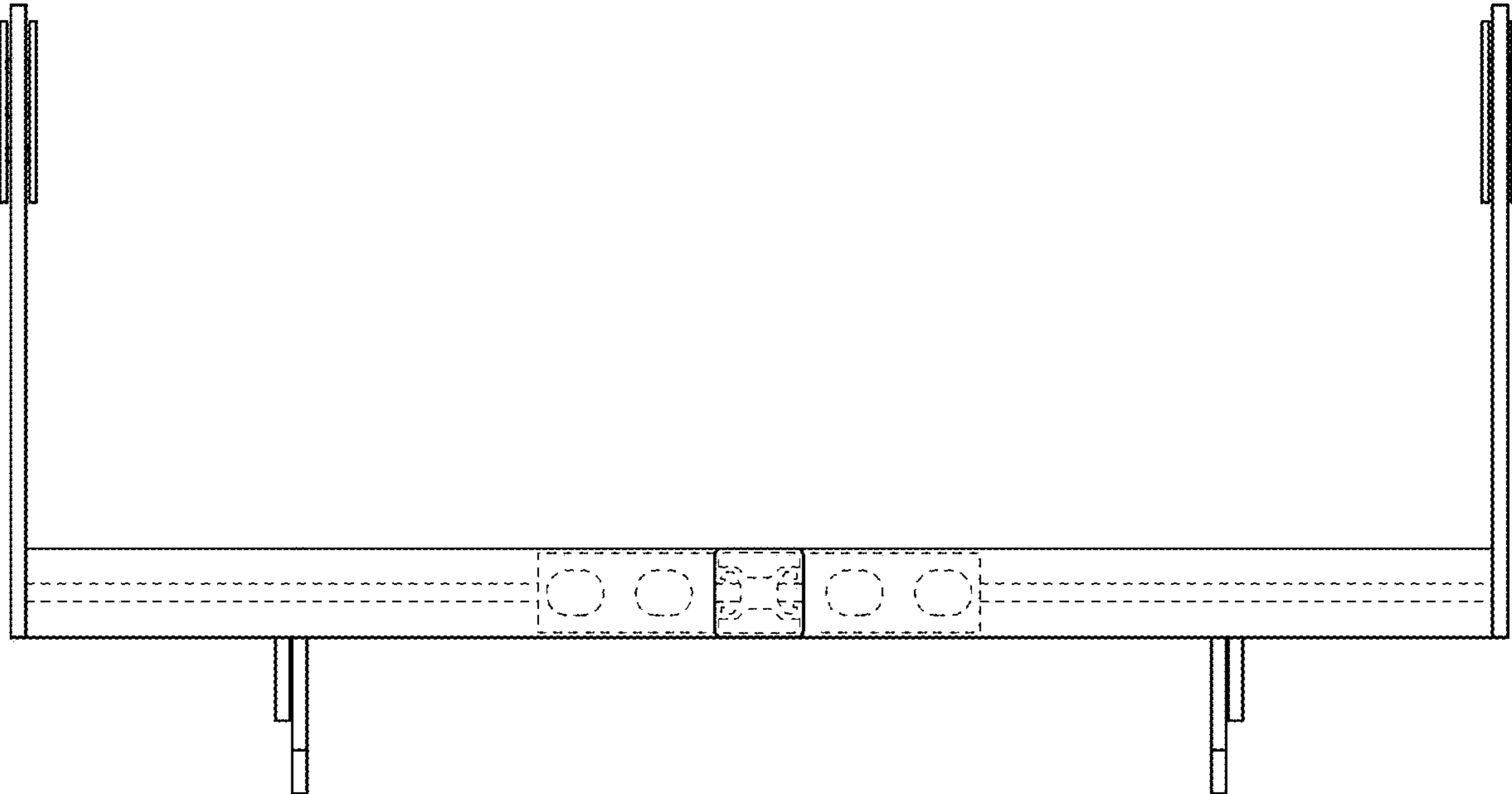


FIG. 8