



US00D942319S

(12) **United States Design Patent**  
**Amade**

(10) **Patent No.:** **US D942,319 S**  
(45) **Date of Patent:** **\*\* Feb. 1, 2022**

(54) **AMPHIBIAN VEHICLE**  
(71) Applicant: **Dayn Amade Inventions Ltd.**, London (GB)  
(72) Inventor: **Dayn Amade**, Maputo (MZ)  
(\*\*) Term: **15 Years**  
(21) Appl. No.: **35/509,494**  
(22) Filed: **Mar. 10, 2020**  
(80) **Hague Agreement Data**  
Int. Filing Date: **Mar. 10, 2020**  
Int. Reg. No.: **DM/208304**  
Int. Reg. Date: **Mar. 10, 2020**  
Int. Reg. Pub. Date: **May 29, 2020**

(30) **Foreign Application Priority Data**  
Sep. 12, 2019 (GB) ..... 6070814  
(51) **LOC (13) Cl.** ..... **12-13**  
(52) **U.S. Cl.**  
USPC ..... **D12/3**  
(58) **Field of Classification Search**  
USPC ..... D12/1, 2, 3, 4, 5, 6, 300, 310, 311, 312, D12/316; D21/542, 543  
CPC . B63B 7/08; B63B 7/082; B63B 7/085; B60F 3/00; B60F 3/0069; B63C 13/00  
See application file for complete search history.

(56) **References Cited**  
U.S. PATENT DOCUMENTS  
2,350,037 A \* 5/1944 Hofheins ..... B60G 11/14 440/12.53  
3,353,618 A \* 11/1967 Fisher ..... B62D 53/00 180/14.4  
3,362,373 A \* 1/1968 Mycroft ..... B60F 3/0053 114/344  
3,741,146 A \* 6/1973 Durrell, Jr. .... B60F 3/00 440/12.53

3,765,368 A \* 10/1973 Asbeck ..... B63C 13/00 440/12.54  
3,858,260 A \* 1/1975 Hanser ..... B60F 3/0092 114/344  
4,176,726 A \* 12/1979 Schaeff ..... B60F 3/00 180/15  
4,476,948 A \* 10/1984 Komoto ..... B60F 3/0023 180/7.2  
4,597,353 A \* 7/1986 Takezono ..... B60F 3/0084 301/1  
4,878,451 A \* 11/1989 Siren ..... B60F 3/0007 440/12.66  
D305,877 S \* 2/1990 Price, II ..... D12/3  
5,417,177 A \* 5/1995 Taguchi ..... B60F 3/0053 165/44  
7,211,983 B2 \* 5/2007 Queveau ..... B60L 15/2036 318/700

(Continued)

**FOREIGN PATENT DOCUMENTS**

GB 2553819 A 3/2018  
WO WO-2018051119 A1 3/2018

*Primary Examiner* — Darlington Ly

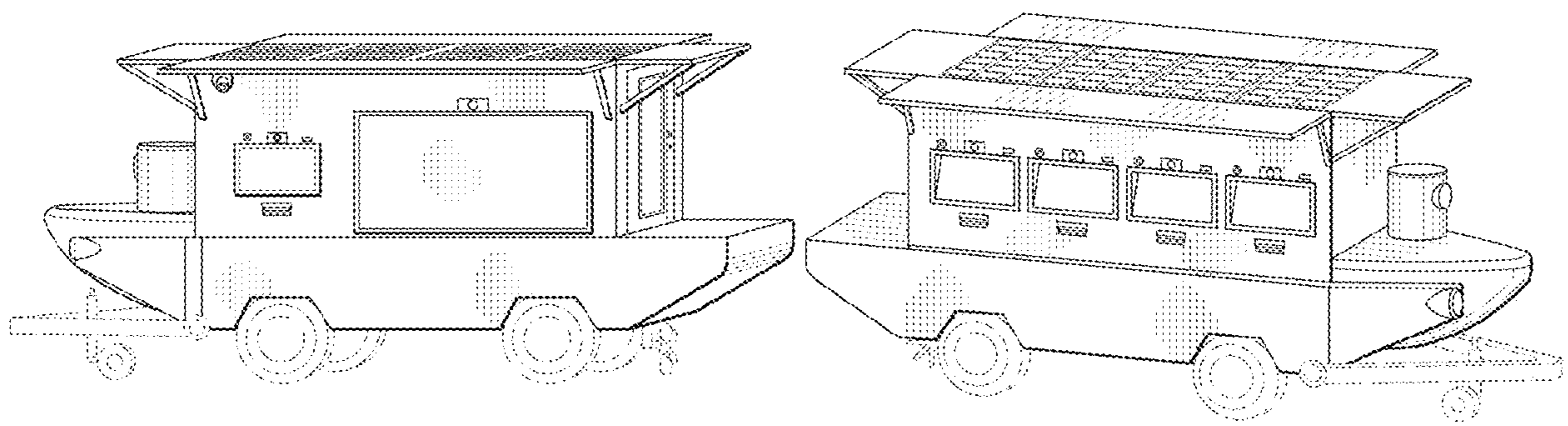
(57) **CLAIM**

The ornamental design for an amphibian vehicle, as shown and described.

**DESCRIPTION**

1. Amphibian vehicle  
1.1 is a rear elevation view of an amphibian vehicle embodying my new design;  
1.2 is a front elevation view thereof;  
1.3 is a rear and right side perspective view thereof;  
1.4 is a front and left side perspective view thereof;  
1.5 is a right side elevation view thereof;  
1.6 is a left side elevation view thereof; and  
1.7 is a top plan view thereof.  
The broken lines in the reproductions illustrate portions of the amphibian vehicle that form no part of the claimed design.

**1 Claim, 5 Drawing Sheets**



(56)

**References Cited**

U.S. PATENT DOCUMENTS

7,934,963 B1 \* 5/2011 Carambat ..... B60F 3/0007  
440/12.51  
D897,237 S \* 9/2020 Bryham ..... D12/3  
2018/0334000 A1 \* 11/2018 Lazarevis ..... B63C 13/00

\* cited by examiner

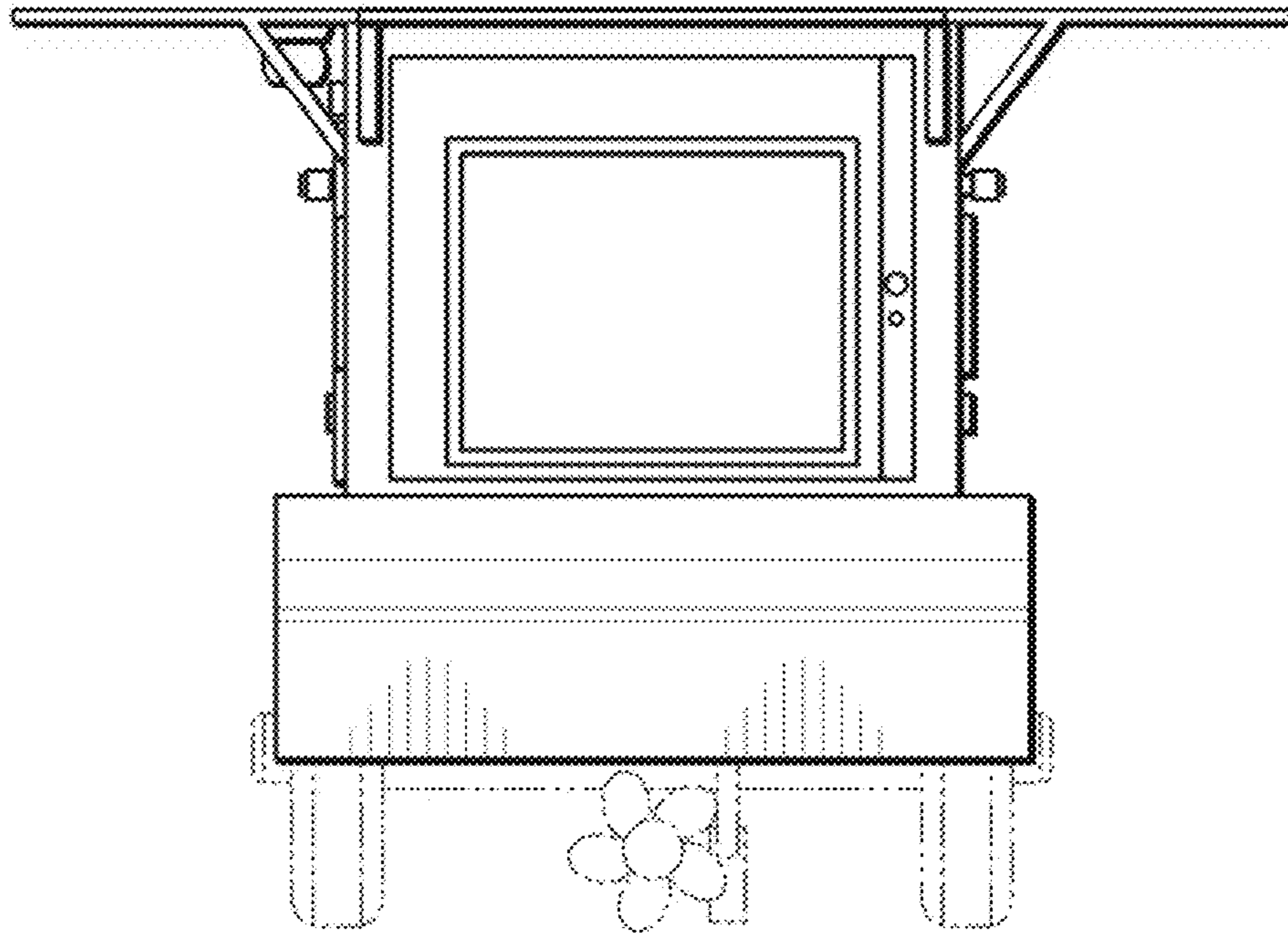


Fig. 1.1

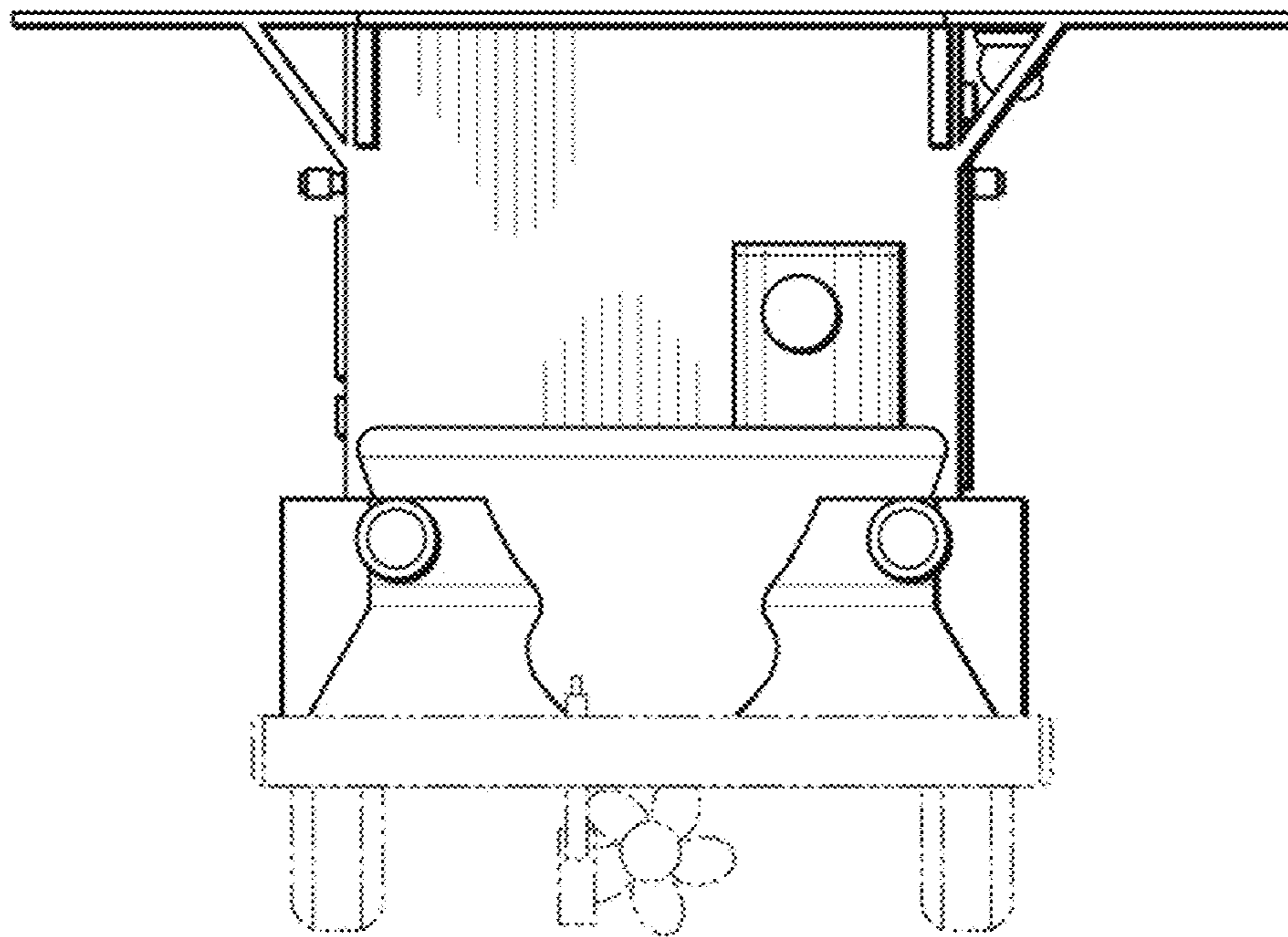


Fig. 1.2

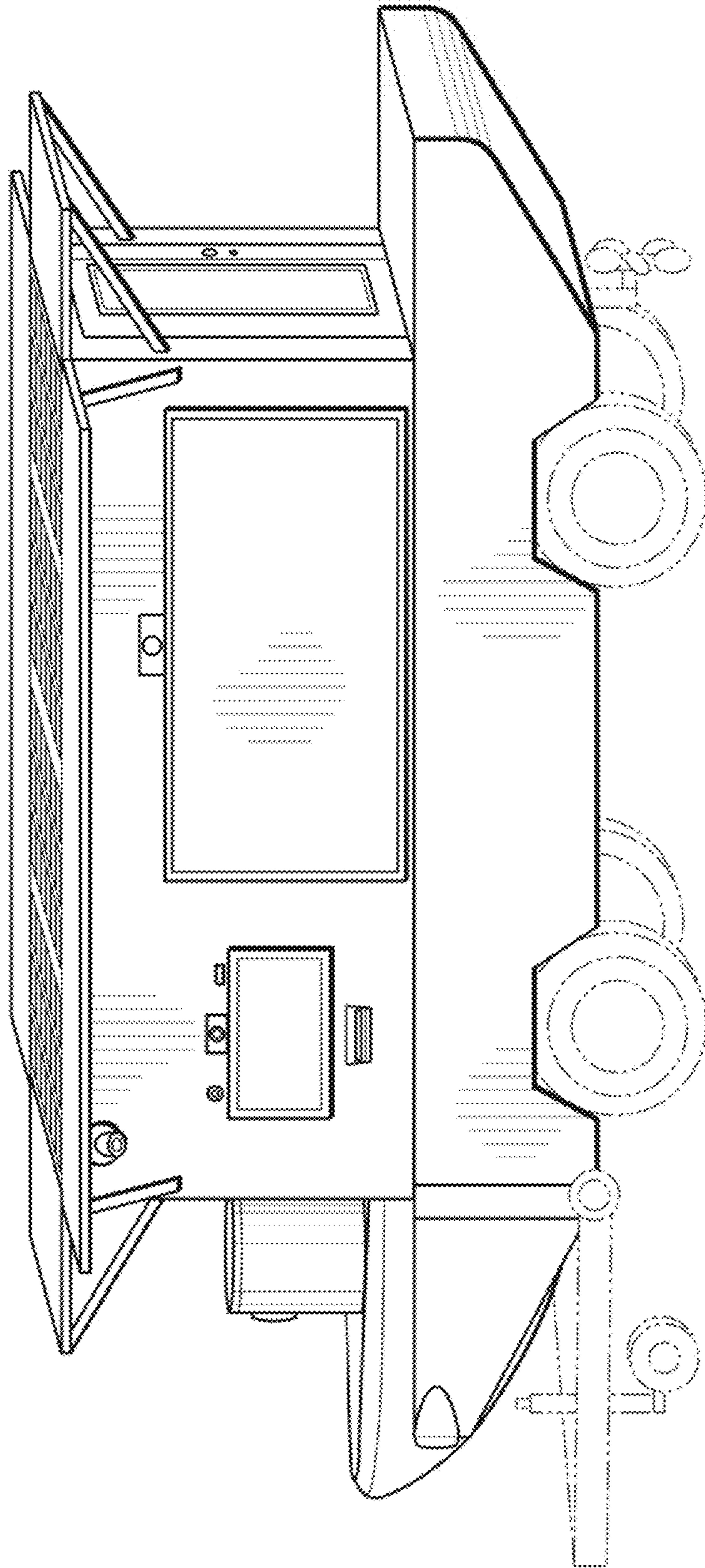


Fig 1.3

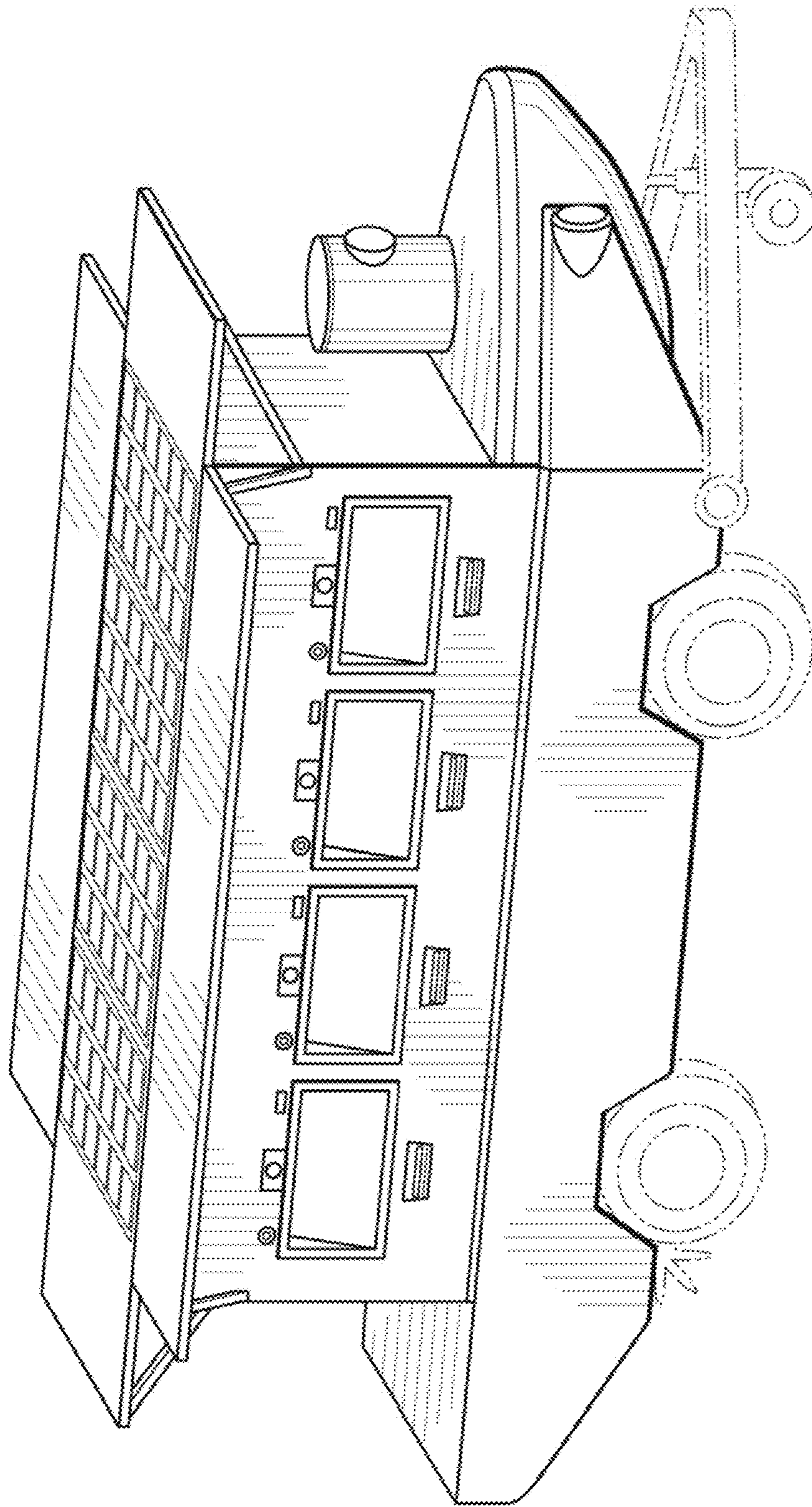


Fig 1.4

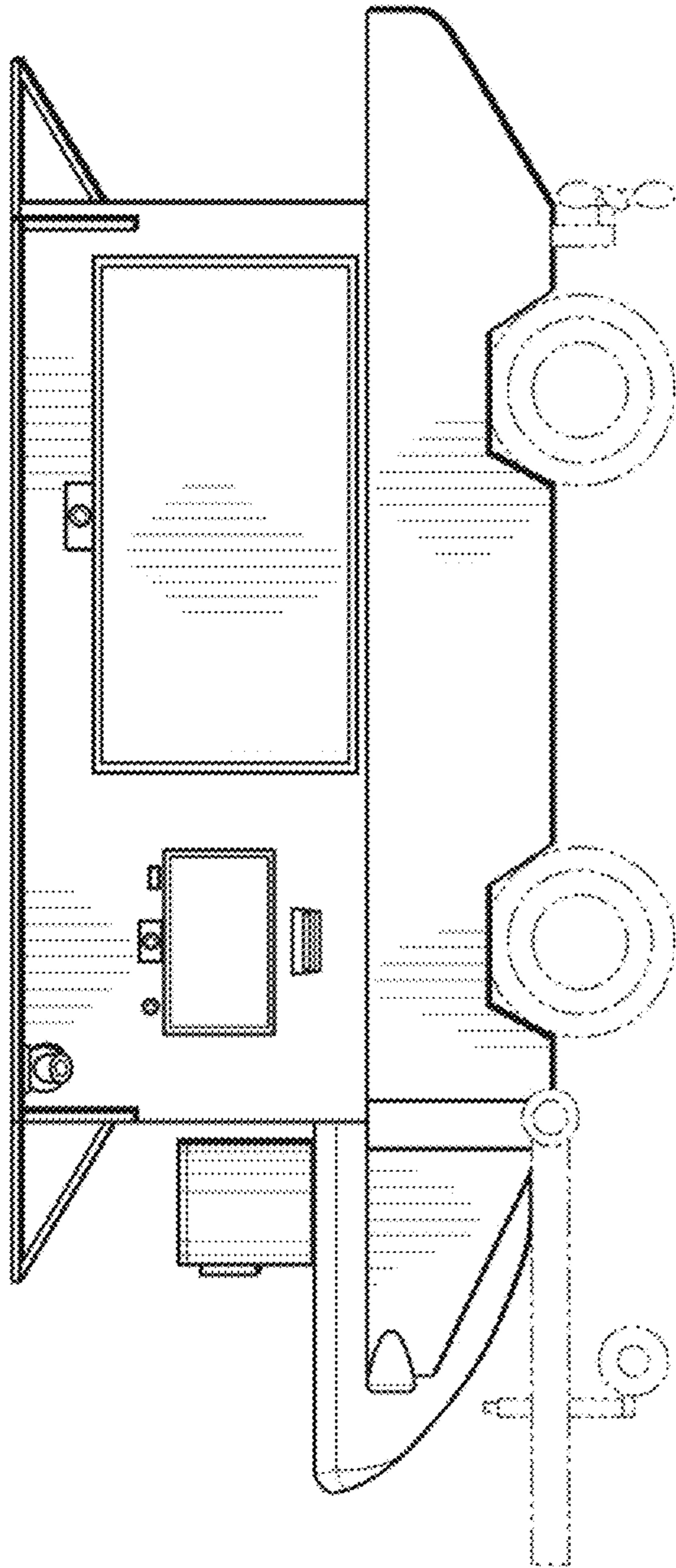


Fig 1.5

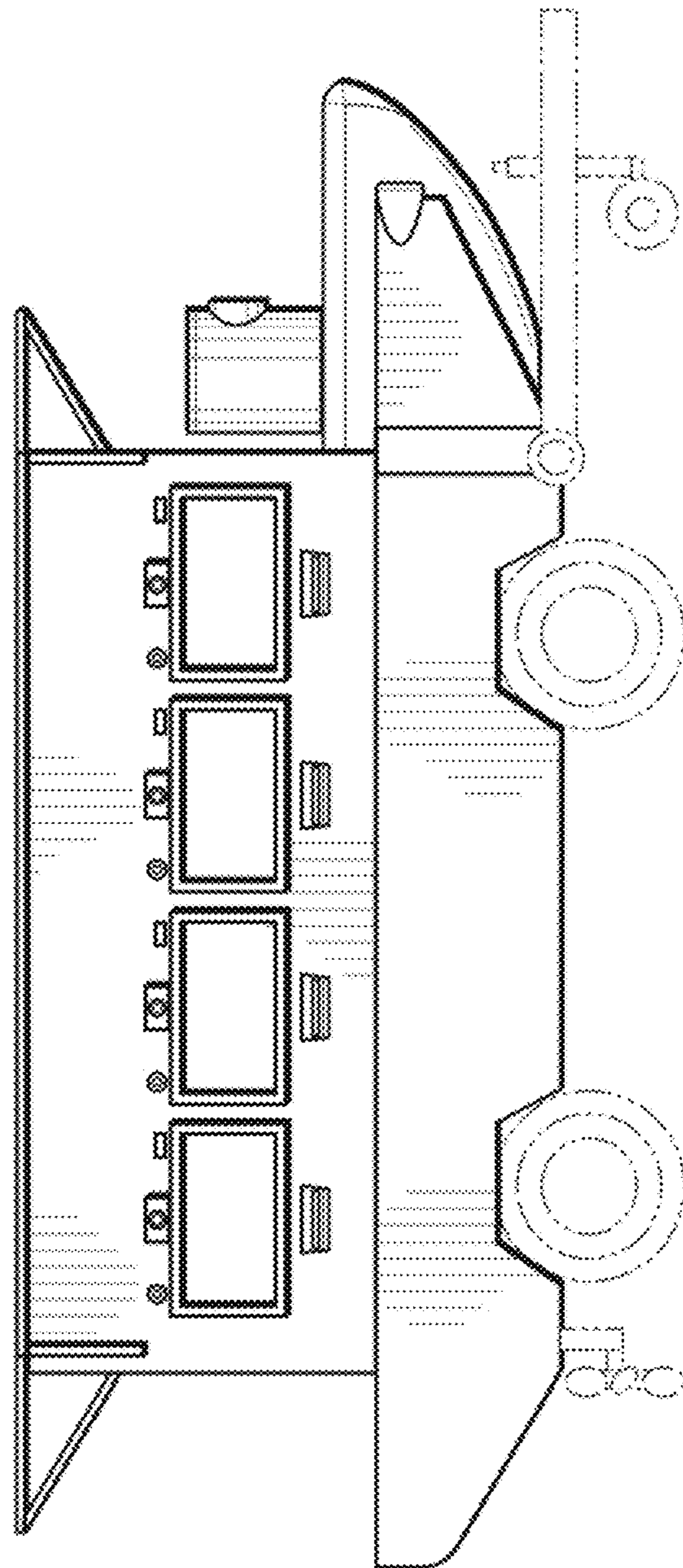


Fig 1.6

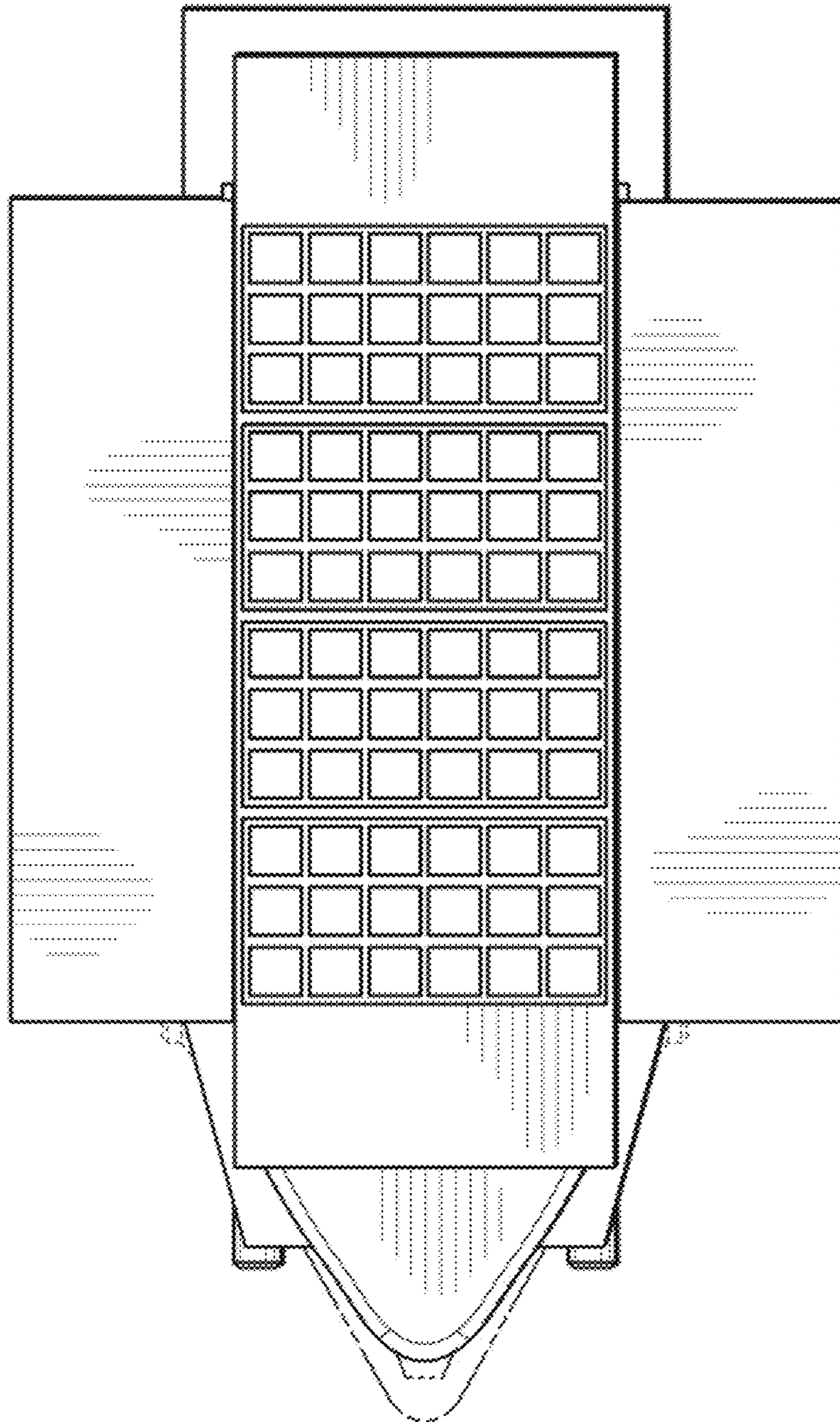


Fig 1.7

UNITED STATES PATENT AND TRADEMARK OFFICE  
**CERTIFICATE OF CORRECTION**

PATENT NO. : D942,319 S  
APPLICATION NO. : 35/509494  
DATED : February 1, 2022  
INVENTOR(S) : Dayn Amade

Page 1 of 1

It is certified that error appears in the above-identified patent and that said Letters Patent is hereby corrected as shown below:

In the Specification

In Line 11 of the Description, correct “anphibian” to “amphibian”

Signed and Sealed this  
Twenty-sixth Day of July, 2022  
*Katherine Kelly Vidal*

Katherine Kelly Vidal  
*Director of the United States Patent and Trademark Office*