



US00D942318S

(12) **United States Design Patent** (10) **Patent No.:** **US D942,318 S**
Kang et al. (45) **Date of Patent:** **** Feb. 1, 2022**

(54) **BELT BUCKLE**

D259,152 S * 5/1981 Heuser D11/230
10,856,625 B1 * 12/2020 Weng A44B 11/223
2016/0021985 A1 * 1/2016 Liu A44B 11/006
2/322

(71) Applicant: **WELT CORP., LTD.**, Seoul (KR)

(72) Inventors: **Seong Ji Kang**, Seoul (KR); **Hye Kang Roh**, Seoul (KR); **Hwa Young Jeong**, Incheon (KR)

(**) Term: **15 Years**

(21) Appl. No.: **35/510,256**

(22) Filed: **Jul. 6, 2020**

(80) **Hague Agreement Data**

Int. Filing Date: **Jul. 6, 2020**
Int. Reg. No.: **DM/210009**
Int. Reg. Date: **Jul. 6, 2020**
Int. Reg. Pub. Date: **Sep. 4, 2020**

(30) **Foreign Application Priority Data**

Jan. 6, 2020 (KR) 30-2020-0000491

(51) **LOC (13) Cl.** **02-07**

(52) **U.S. Cl.**
USPC **D11/231**

(58) **Field of Classification Search**
USPC D11/200–241, 94, 86; D2/627, 628, 629,
D2/631, 639; D24/167; D14/344
CPC A44B 11/00; A44B 11/006; A44B 11/20;
A44B 11/22; A44B 11/24; A44B 11/2561;
A44C 15/004; A44C 1/00
See application file for complete search history.

(56) **References Cited**

U.S. PATENT DOCUMENTS

D167,823 S * 9/1952 Bliss D11/200
3,132,393 A * 5/1964 Steinberg A44B 11/00
24/71 SK

OTHER PUBLICATIONS

[Online] “Welt Smart Belt . . .” <https://www.amazon.com/WELT-Compatible-Bluetooth-Healthcare-Measurement/dp/B078W52ZGN>. Retrieved Sep. 26, 2021. Available online Mar. 20, 2018.*

[Online] <https://mms.businesswire.com/media/20191230005107/en/764581/5/4.jpg?download=1>. Posted online Dec. 30, 2019. Retrieved Sep. 26, 2021.*

* cited by examiner

Primary Examiner — Melanie Pellegrini

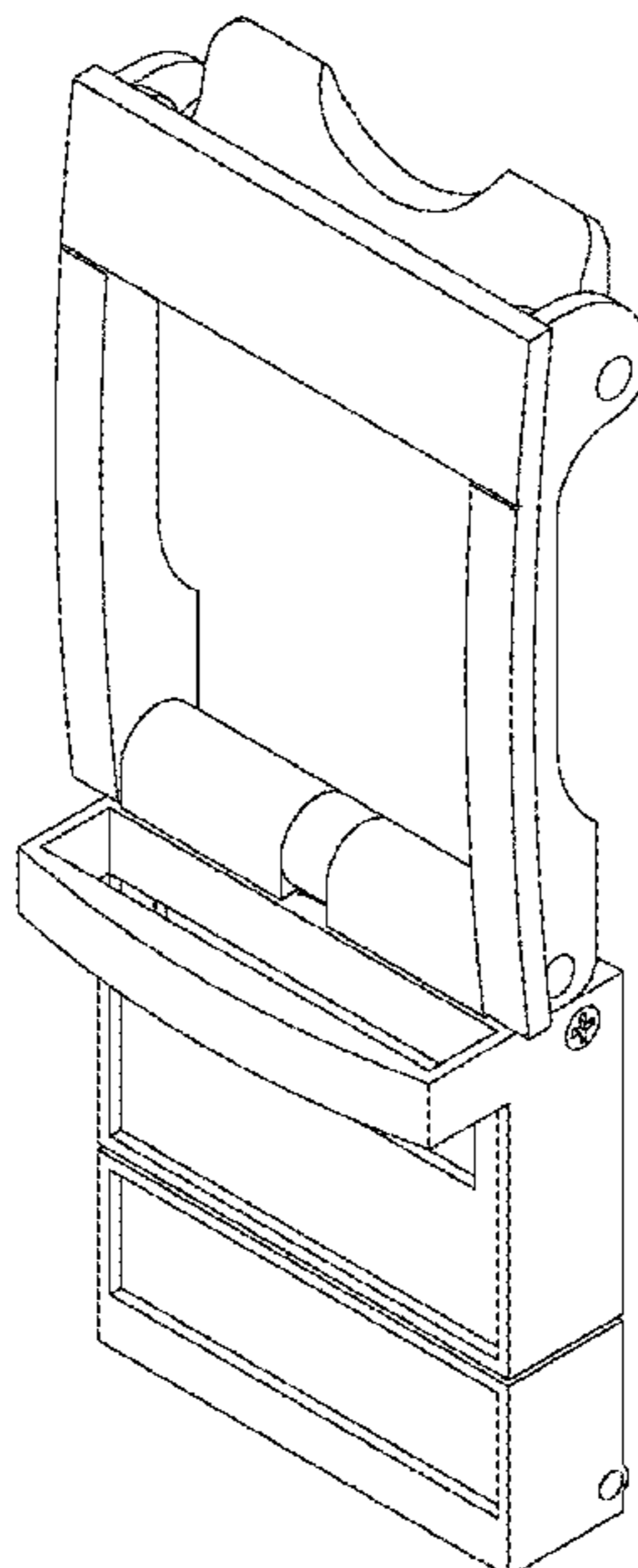
(57) **CLAIM**

The ornamental design for a belt buckle, as shown and described.

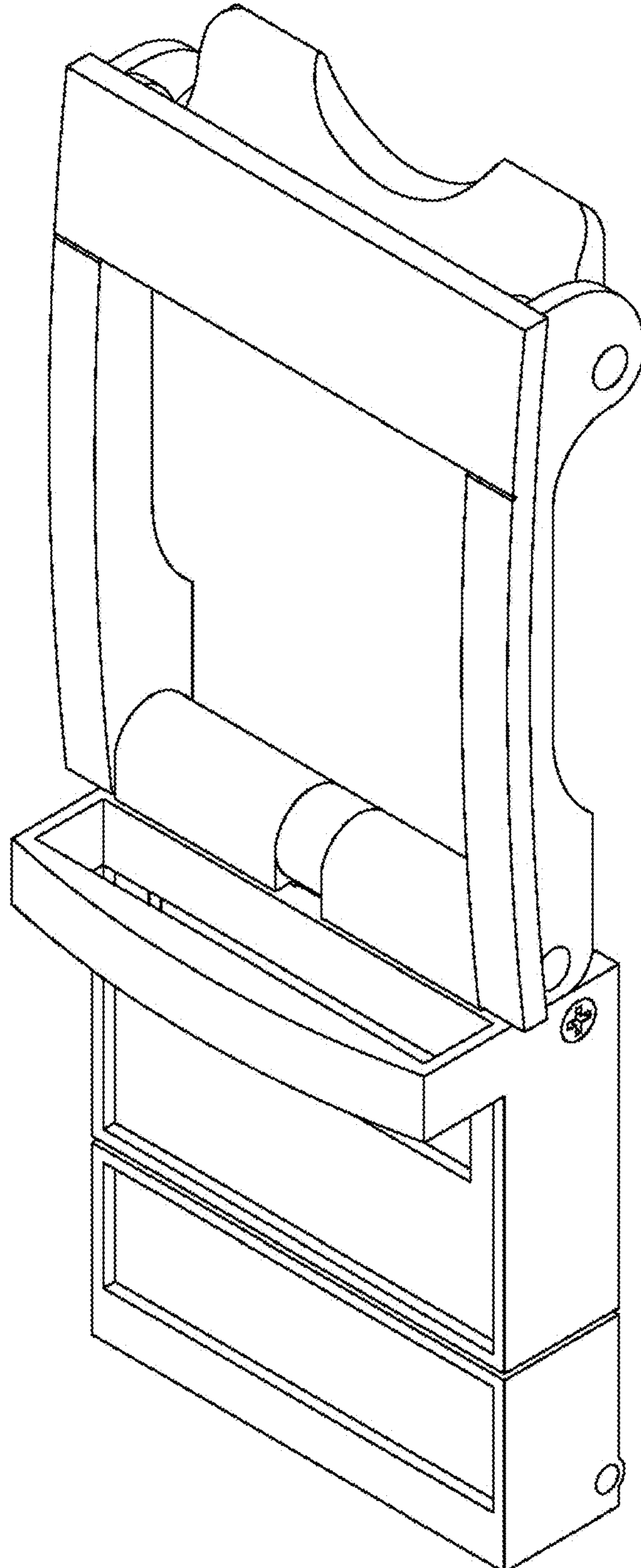
DESCRIPTION

- 1. Belt buckle
- 1.1 : Perspective
- 1.2 : Front
- 1.3 : Back
- 1.4 : Top
- 1.5 : Bottom
- 1.6 : Left
- 1.7 : Right

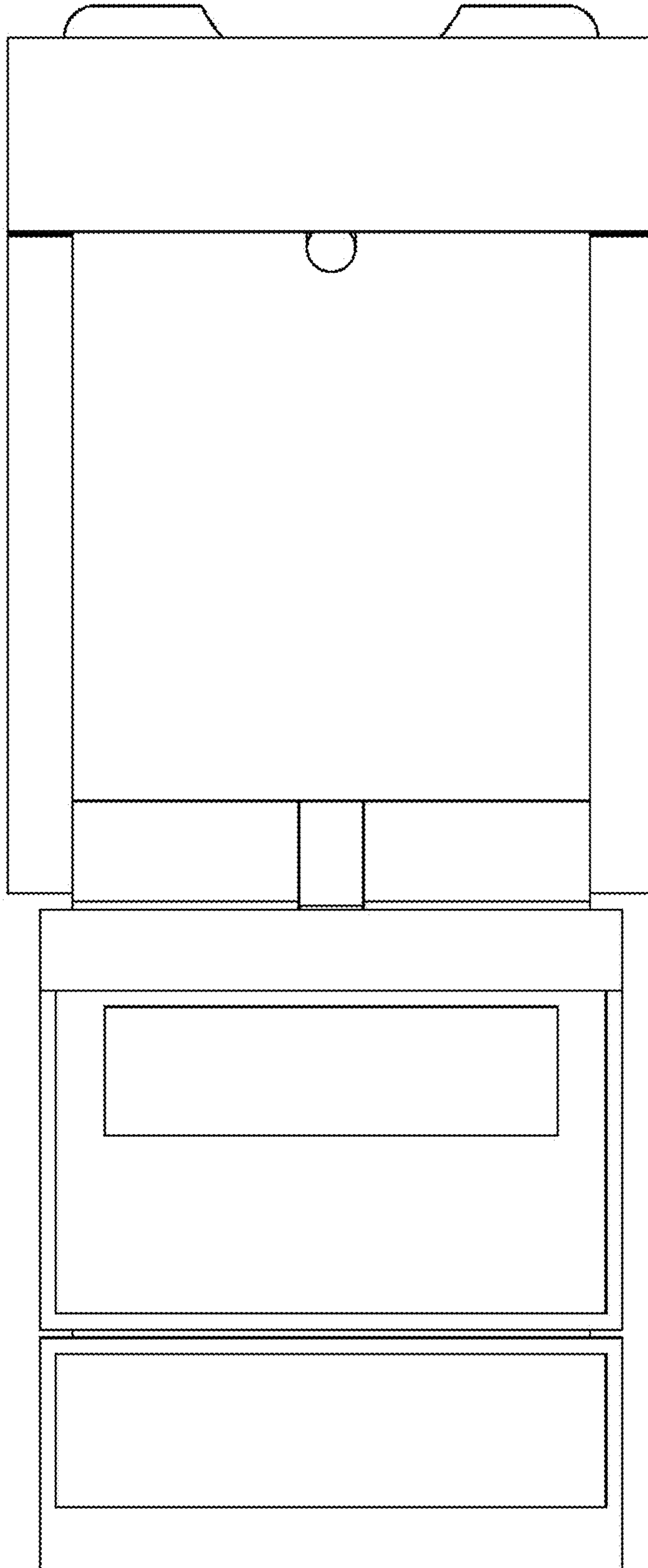
1 Claim, 7 Drawing Sheets



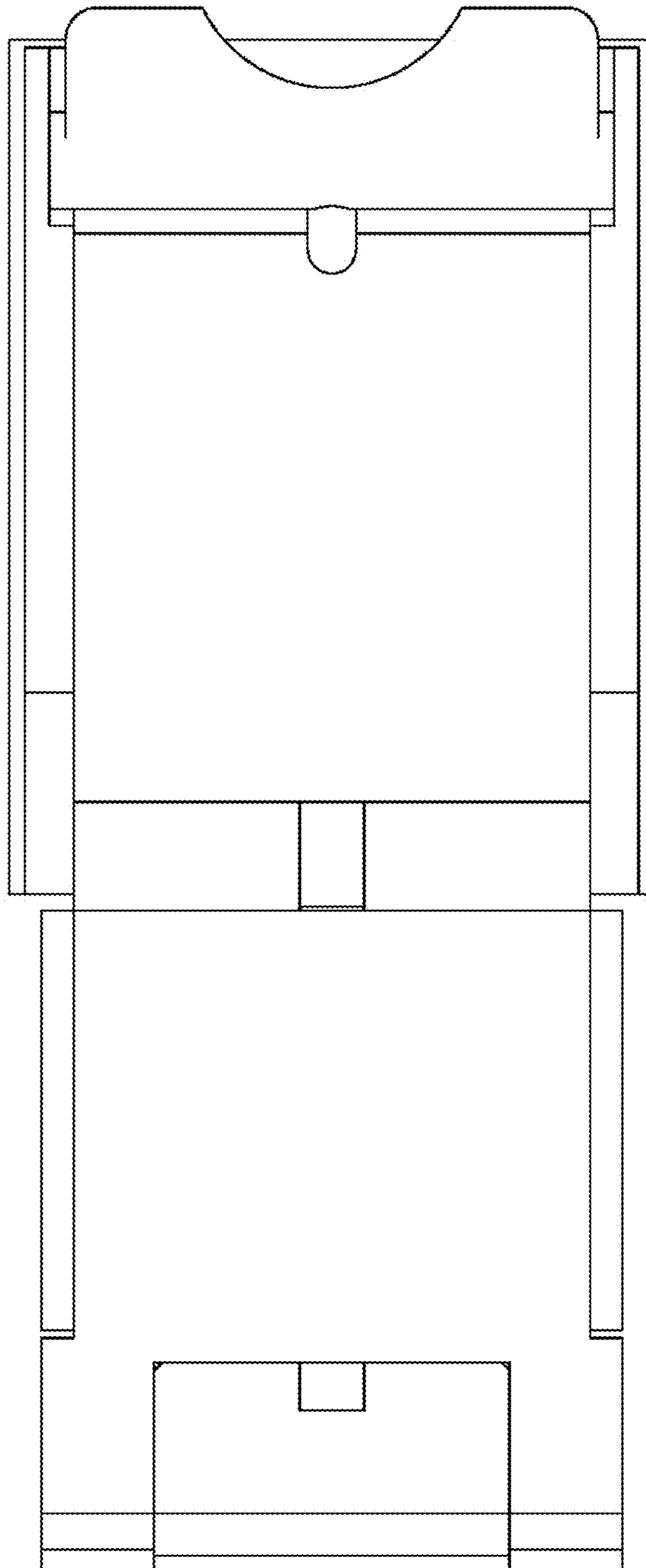
1.1



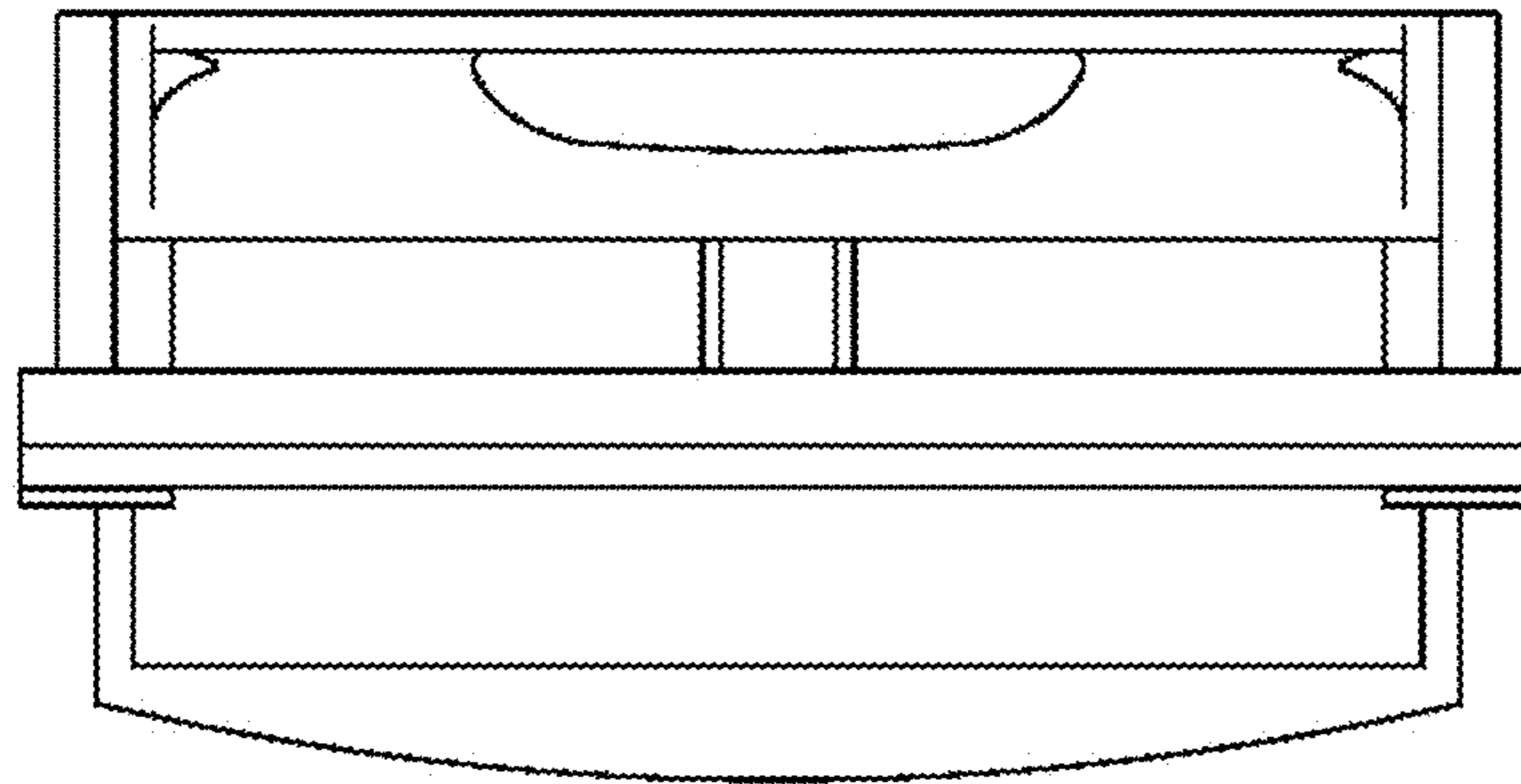
1.2



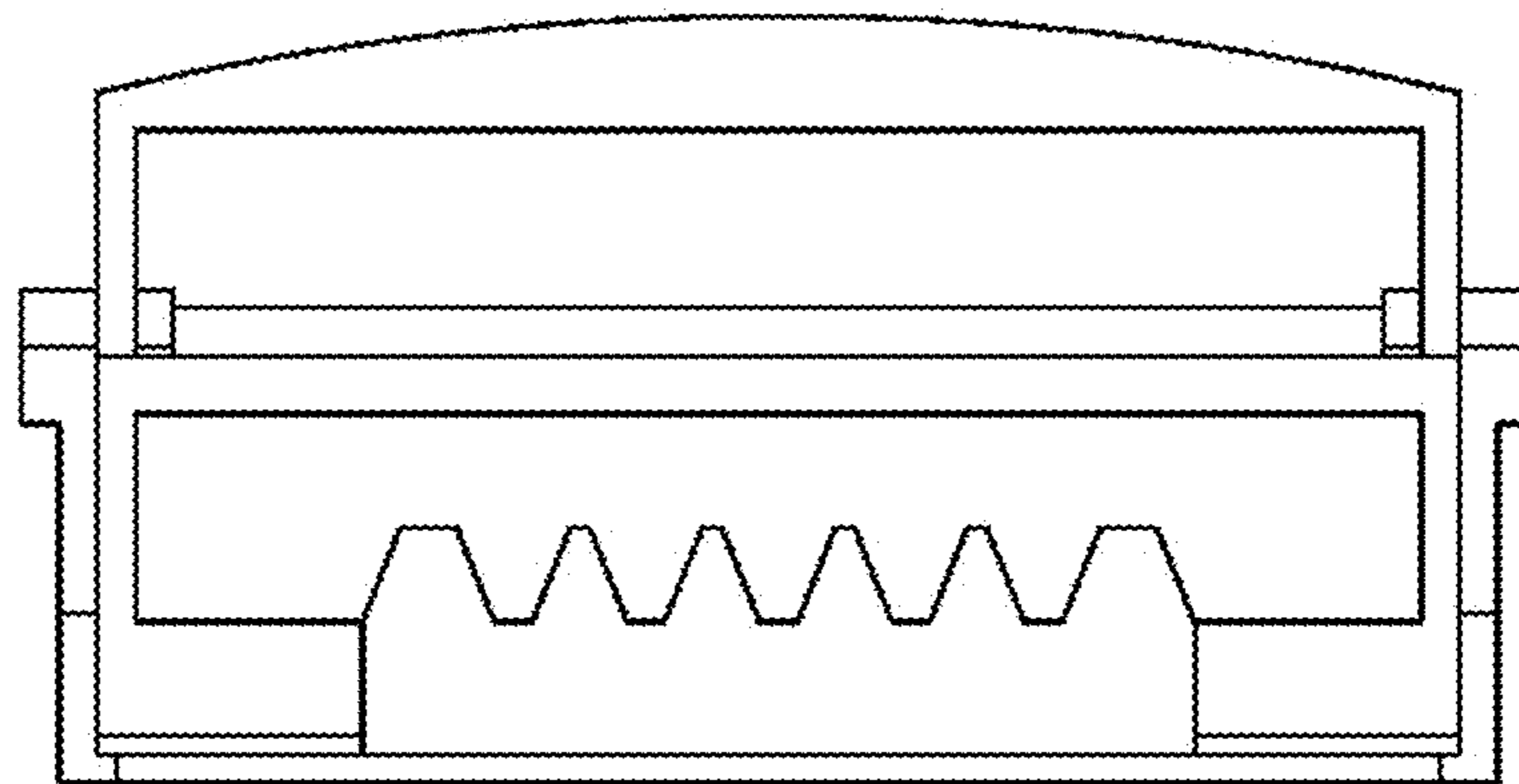
1.3



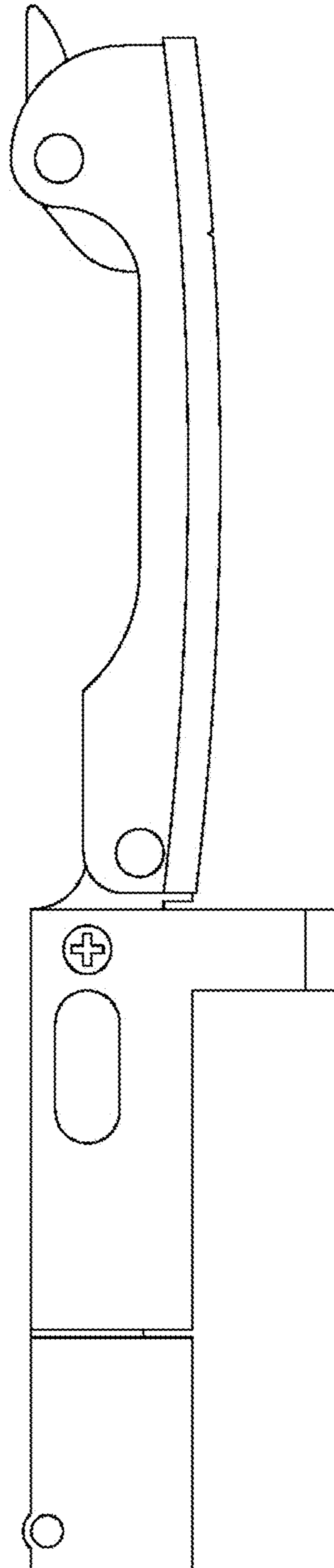
1.4



1.5



1.6



1.7

