



US00D942317S

(12) **United States Design Patent** (10) **Patent No.:** **US D942,317 S**
Kang et al. (45) **Date of Patent:** **** Feb. 1, 2022**

(54) **HOOK FOR BELT BUCKLES**
(71) Applicant: **WELT CORP., LTD.**, Seoul (KR)
(72) Inventors: **Seong Ji Kang**, Seoul (KR); **Hye Kang Roh**, Seoul (KR); **Hwa Young Jeong**, Incheon (KR)

D643,772 S * 8/2011 Mikkelsen D11/93
D647,000 S * 10/2011 Kerker D11/234
D787,981 S * 5/2017 Hahn D11/237
D823,159 S * 7/2018 Xie D11/200
D832,732 S * 11/2018 Hahn D10/128
D926,629 S * 8/2021 Paik D11/200
D931,139 S * 9/2021 Paik D11/200

(**) Term: **15 Years**

(21) Appl. No.: **35/510,385**

(22) Filed: **Jul. 6, 2020**

(80) **Hague Agreement Data**

Int. Filing Date: **Jul. 6, 2020**
Int. Reg. No.: **DM/210239**
Int. Reg. Date: **Jul. 6, 2020**
Int. Reg. Pub. Date: **Sep. 18, 2020**

(30) **Foreign Application Priority Data**

Jan. 6, 2020 (KR) 30-2020-0000492

(51) **LOC (13) Cl.** **02-07**

(52) **U.S. Cl.**
USPC **D11/200; D11/94**

(58) **Field of Classification Search**
USPC D11/200-241, 94, 86; D2/627, 628, 629, D2/631, 639; D24/167; D14/344
CPC A44B 11/00; A44B 11/006; A44B 11/20; A44B 11/22; A44B 11/24; A44B 11/2561; A44C 15/004; A44C 1/00
See application file for complete search history.

(56) **References Cited**

U.S. PATENT DOCUMENTS

D305,743 S * 1/1990 Hirsch D11/94
D415,067 S * 10/1999 Tung D11/200

OTHER PUBLICATIONS

[Online] "Smart Belt Pro" https://www.tradekorea.com/product/detail/P779547/Smart-belt-Pro_Wearable-Device---WELT-Signature-Edition.html. Retrieved Sep. 26, 2021.*

* cited by examiner

Primary Examiner — Melanie Pellegrini

(57) **CLAIM**

The ornamental design for a hook for belt buckles, as shown and described.

DESCRIPTION

1. Hook for belt buckles

1.1 : Perspective

1.2 : Front

1.3 : Back

1.4 : Top

1.5 : Bottom

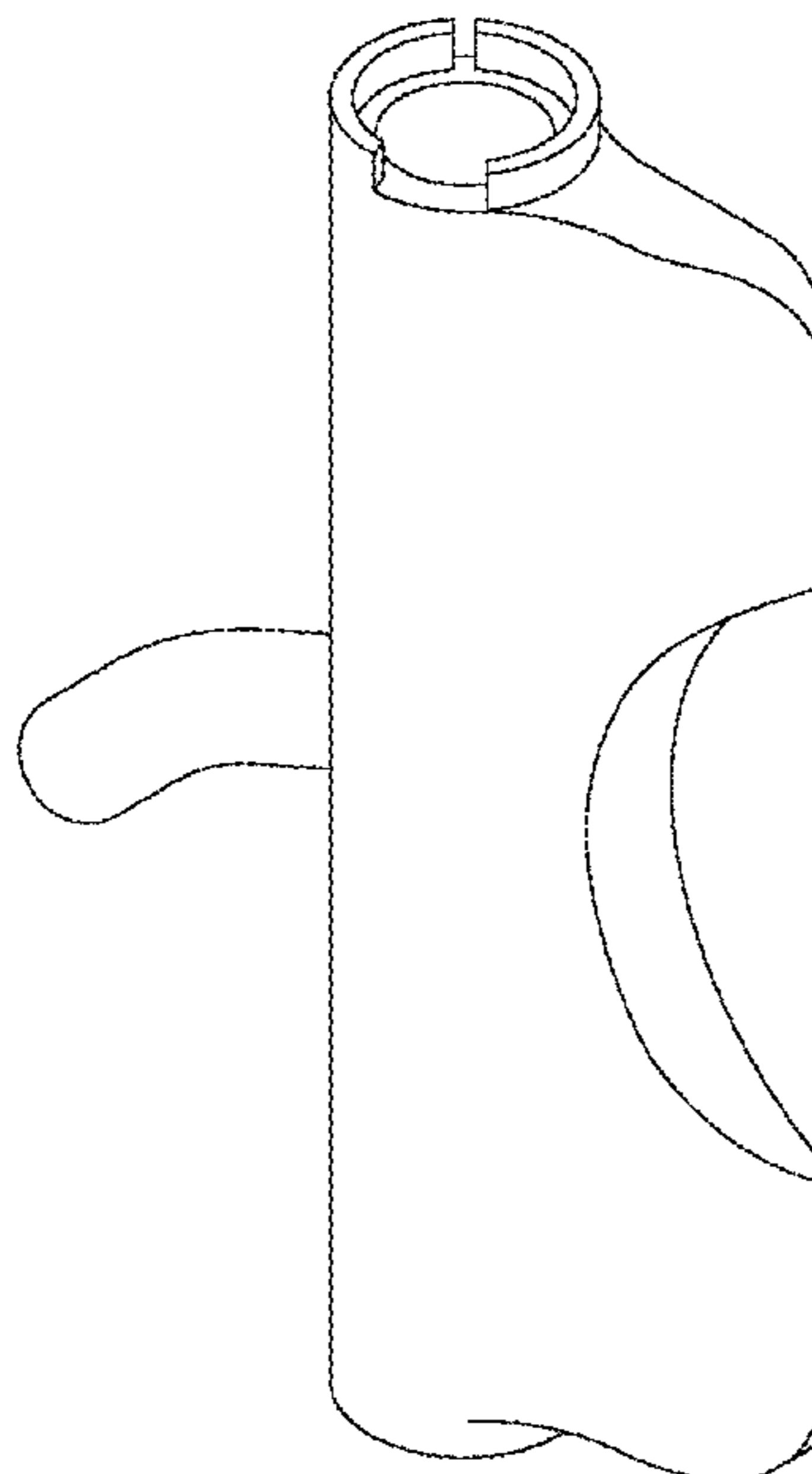
1.6 : Left

1.7 : Right

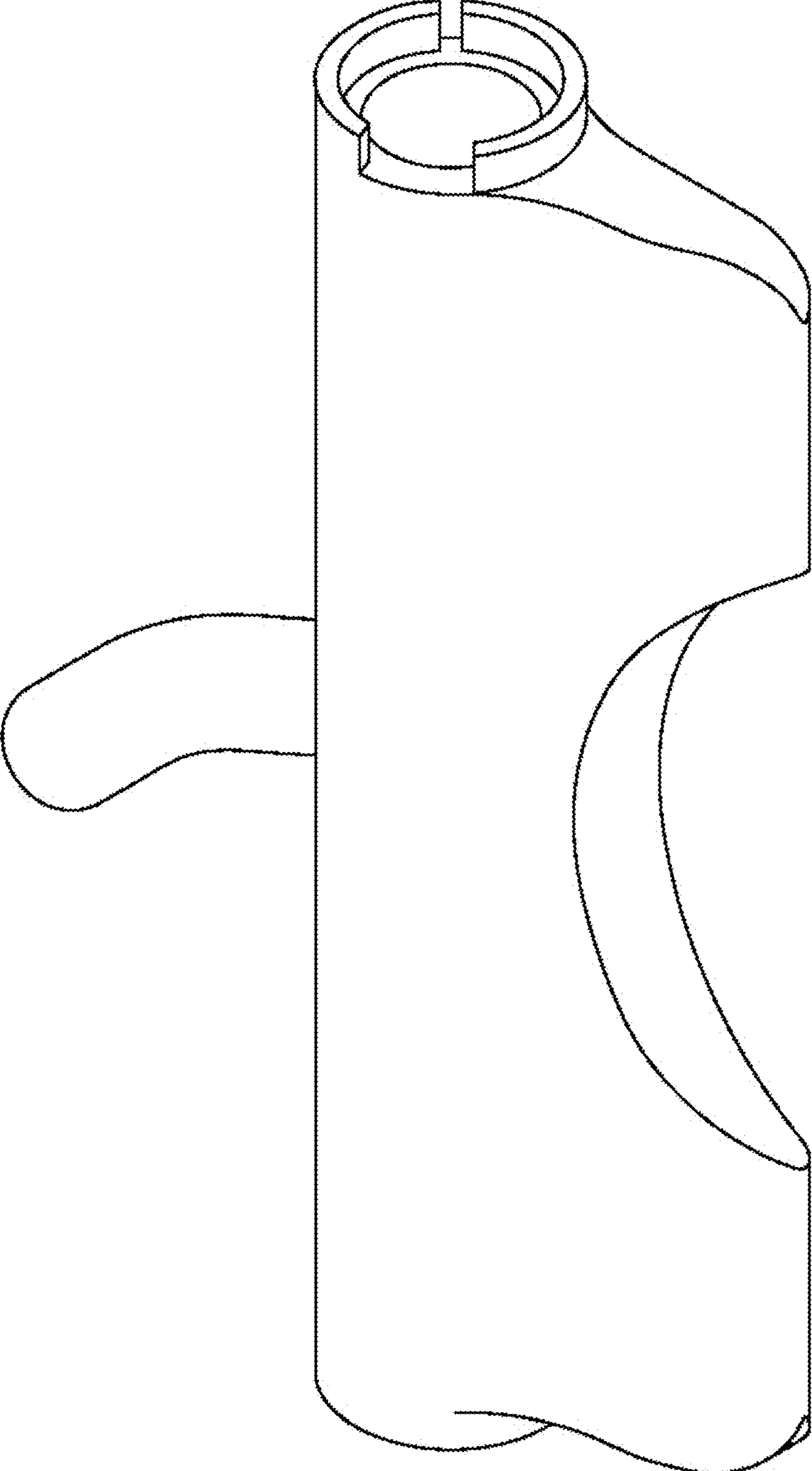
1.8 : Reference

Reproduction **1.8** is a reference view showing the state in use of the claimed design and forms no part thereof; the parallel oblique lines of reproduction **1.8** are to represent the claimed design only and form no part thereof.

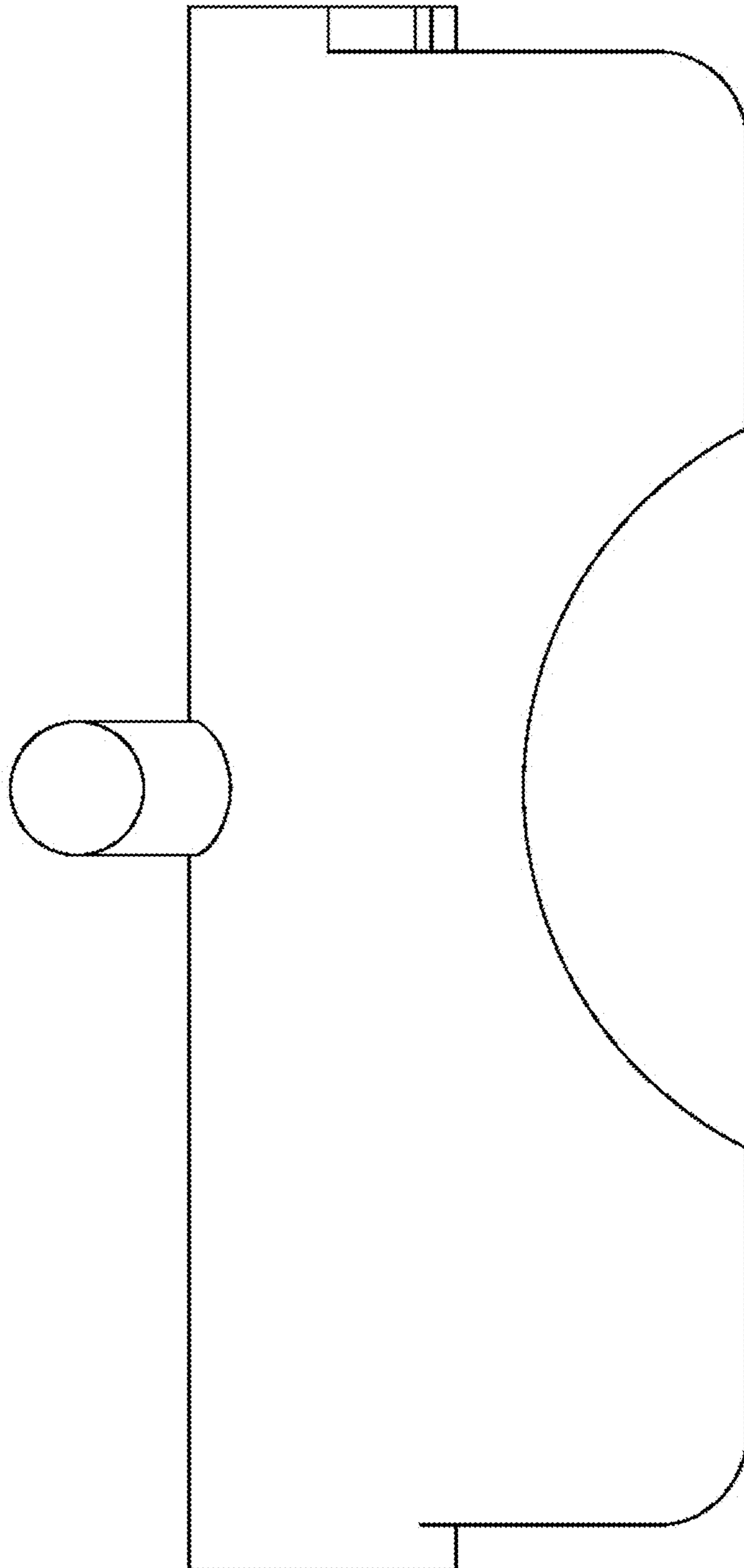
1 Claim, 8 Drawing Sheets



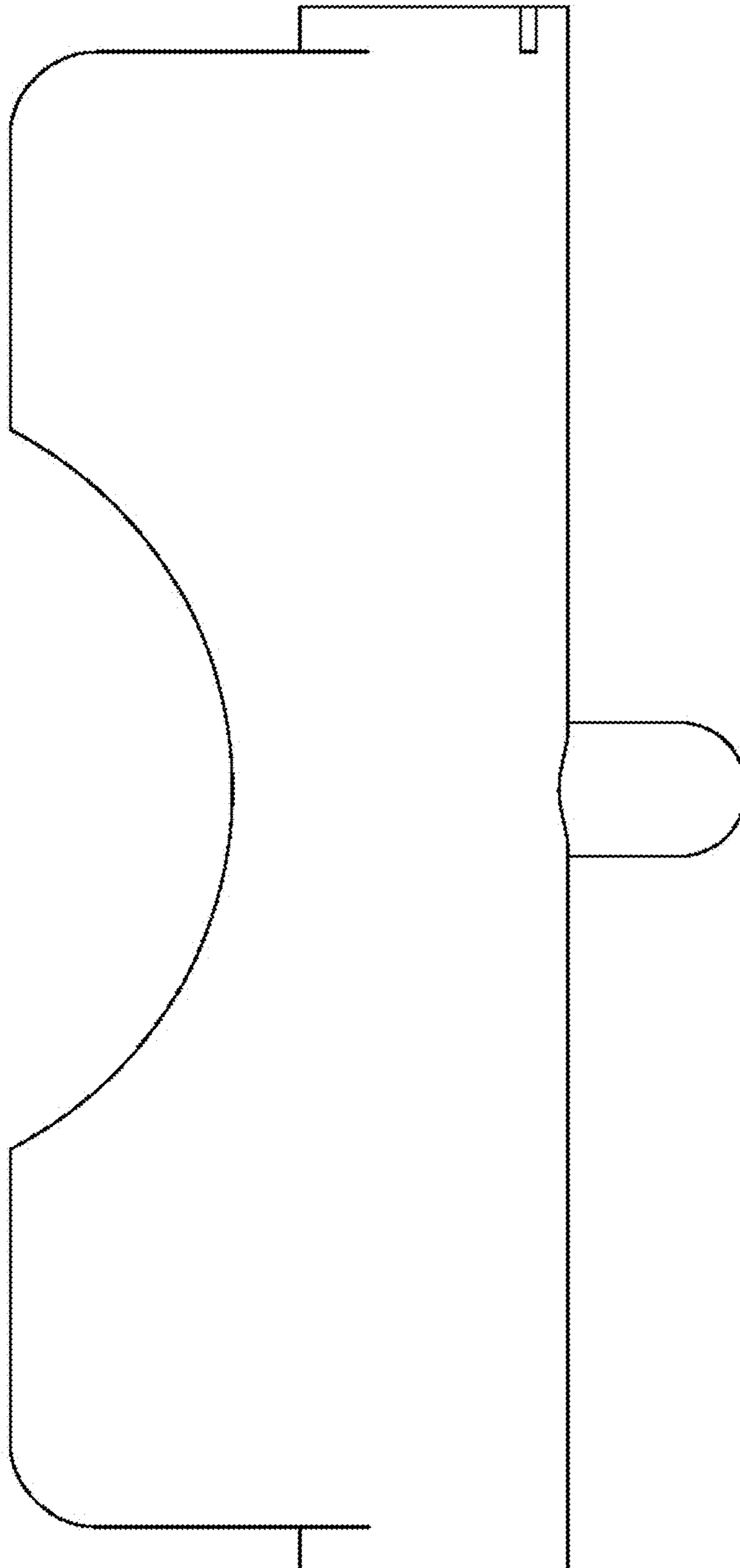
1.1



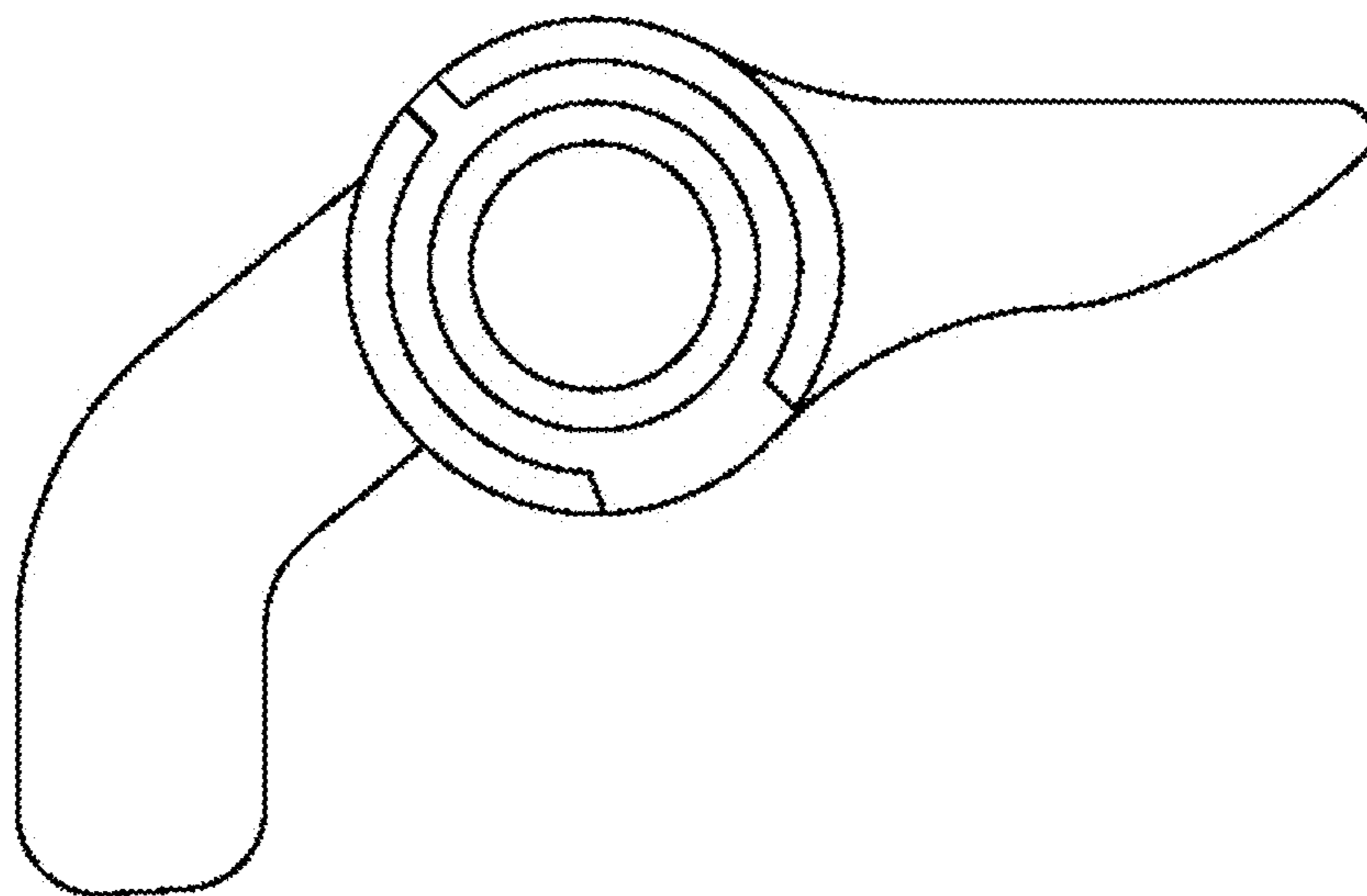
1.2



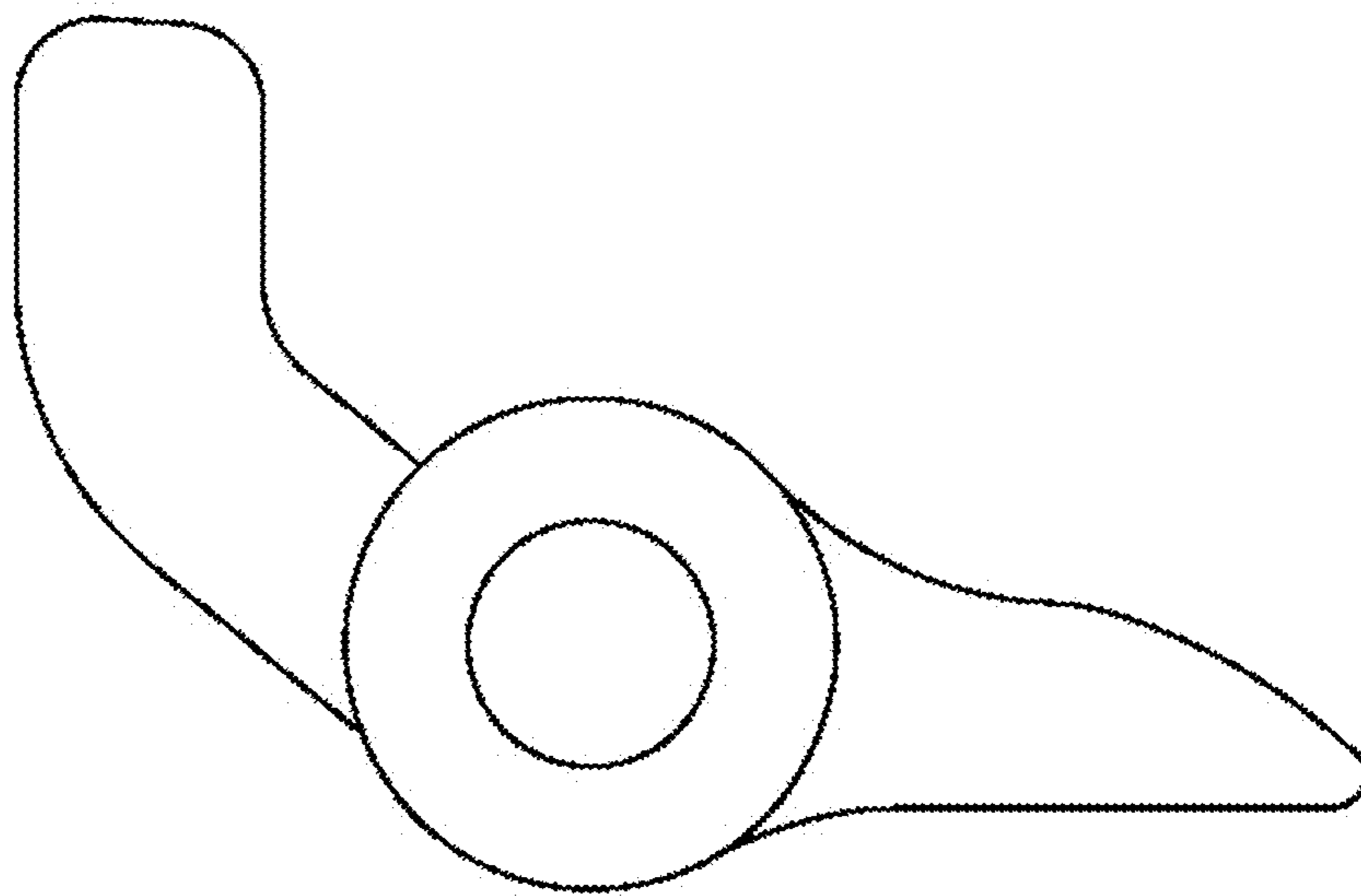
1.3



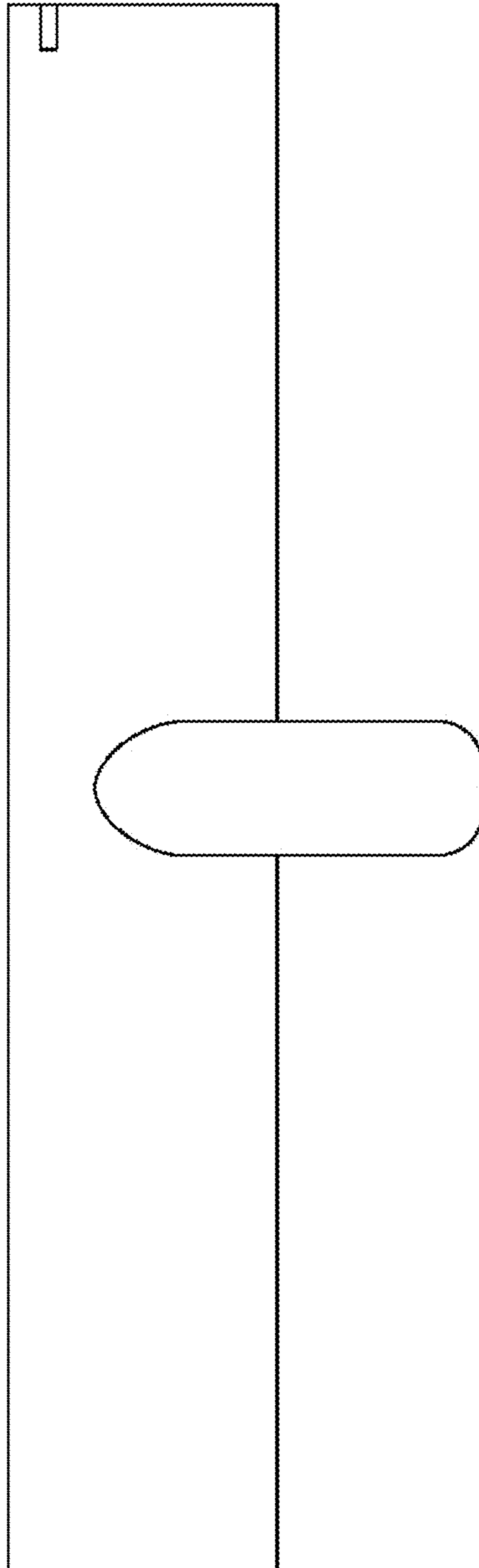
1.4



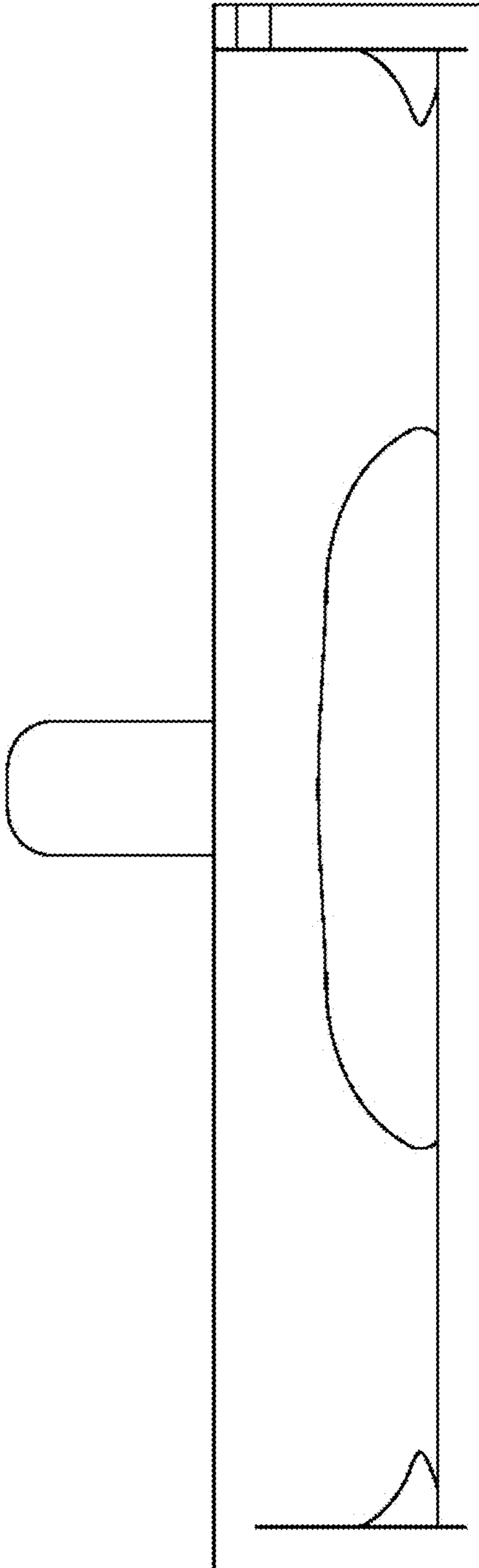
1.5



1.6



1.7



1.8

