

US00D942314S

(12) **United States Design Patent**  
**Ryan**

(10) **Patent No.:** **US D942,314 S**

(45) **Date of Patent:** **\*\* Feb. 1, 2022**

- (54) **PLANTER URN**
- (71) Applicant: **Classic Home & Garden, LLC**,  
Monroe, CT (US)
- (72) Inventor: **Fred Joseph Ryan**, Trumbull, CT (US)
- (73) Assignee: **CLASSIC HOME & GARDEN, LLC**,  
Monroe, CT (US)
- (\*\*) Term: **15 Years**
- (21) Appl. No.: **29/734,834**
- (22) Filed: **May 15, 2020**
- (51) **LOC (13) Cl.** ..... **11-02**
- (52) **U.S. Cl.**  
USPC ..... **D11/154**
- (58) **Field of Classification Search**  
USPC ..... D11/143–156, 164; D6/403–405,  
D6/556–558; D7/584, 587; D8/1;  
D99/5  
CPC . A01G 9/02; A01G 9/021; A01G 9/04; A01G  
27/003; A01G 31/06; A47G 7/00; A47G  
7/02; A47G 7/04; A47G 7/08  
See application file for complete search history.

(56) **References Cited**

**U.S. PATENT DOCUMENTS**

- D63,117 S \* 10/1923 Aymar ..... D7/542
- D66,461 S \* 1/1925 Sanford ..... D7/558
- D150,232 S \* 7/1948 Jones ..... D99/5
- 2,638,716 A \* 5/1953 Luipersbek ..... A01G 27/04  
47/79
- 3,051,303 A \* 8/1962 Daanen ..... A47G 19/26  
206/776
- D224,414 S \* 7/1972 Kaelke ..... D11/154
- D234,180 S \* 1/1975 Dart et al. .... D7/584
- 3,962,824 A \* 6/1976 Poston ..... A01G 27/04  
47/81

- D245,643 S \* 8/1977 Orfei ..... D11/154
- D248,006 S \* 5/1978 Christian ..... D7/584
- D259,776 S \* 7/1981 Waterfield ..... D11/153
- 4,346,532 A \* 8/1982 Peterson ..... A01G 9/02  
47/66.5
- D363,897 S \* 11/1995 Carlson ..... D11/152
- D386,116 S \* 11/1997 Sanderson ..... D11/152
- D410,592 S \* 6/1999 Niemiec ..... D11/151
- D548,587 S \* 8/2007 DuVal ..... D30/129
- D561,021 S \* 2/2008 DuVal ..... D9/500
- D587,625 S \* 3/2009 White ..... D11/152
- D663,236 S \* 7/2012 Pedersen ..... D11/154
- D671,276 S \* 11/2012 Krueger ..... D30/127
- D693,687 S \* 11/2013 Karay ..... D9/503
- D713,756 S \* 9/2014 Thuma ..... D11/152
- D713,757 S \* 9/2014 Thuma ..... D11/152
- D805,424 S \* 12/2017 Thuma ..... D11/153
- D849,596 S \* 5/2019 Crosby ..... D11/143
- 10,701,869 B2 \* 7/2020 Ryan ..... A01G 9/024

\* cited by examiner

*Primary Examiner* — Elizabeth A. Albert

(74) *Attorney, Agent, or Firm* — Tutunjian & Bitetto, P.C.

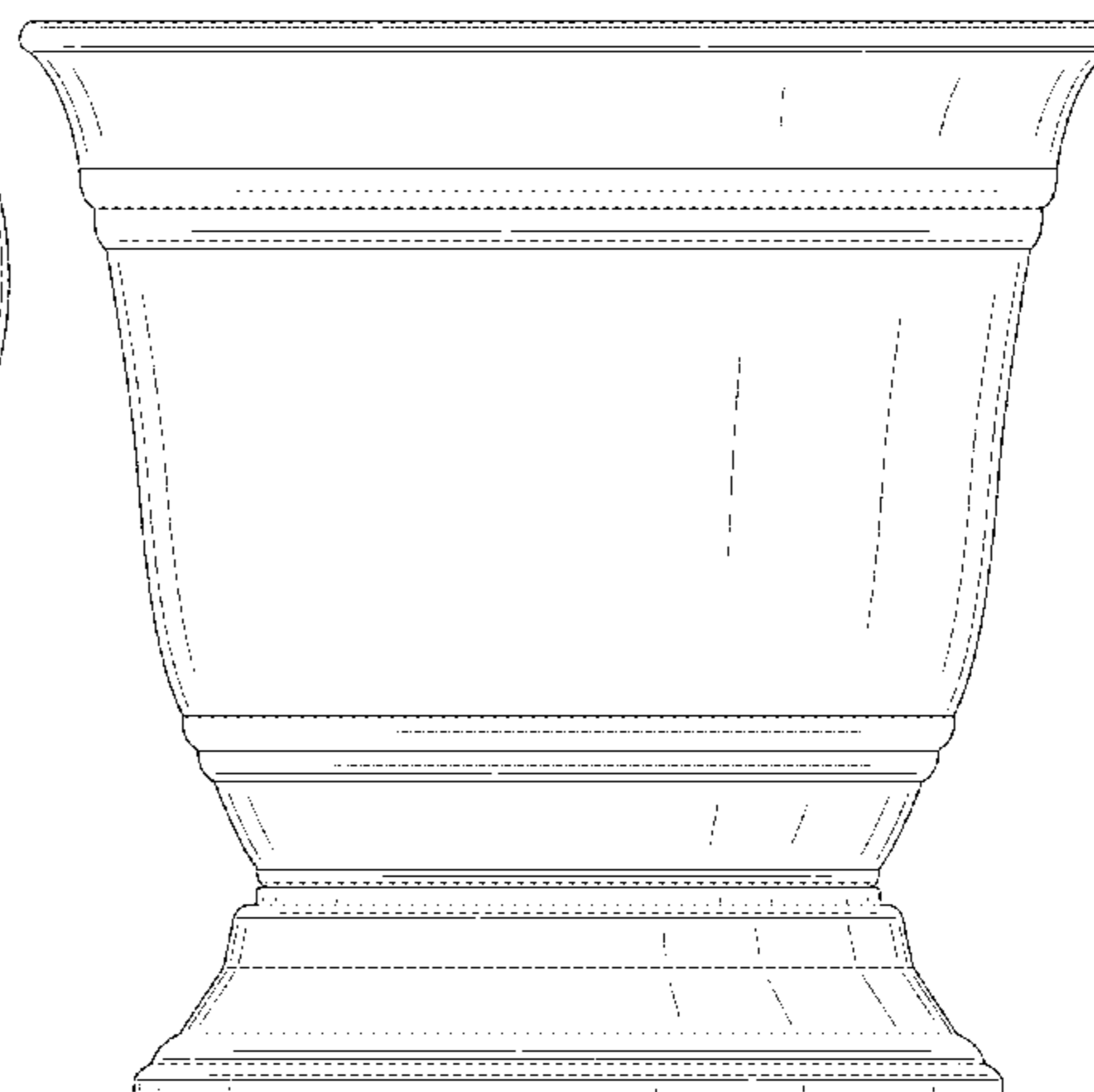
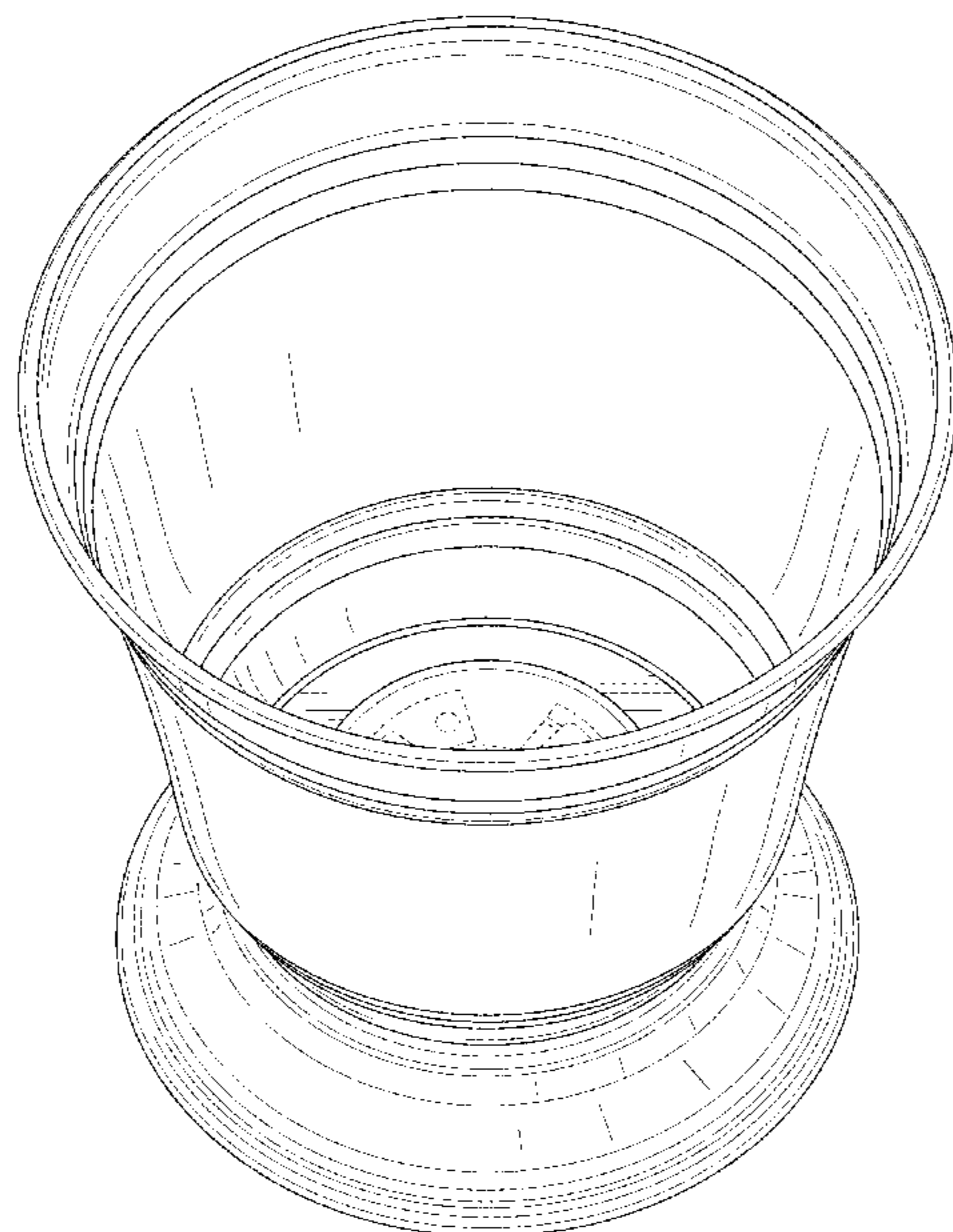
(57) **CLAIM**

The ornamental design for a planter urn, as shown and described.

**DESCRIPTION**

FIG. 1 is a front perspective view of the planter urn showing my new design;  
 FIG. 2 is a bottom perspective view thereof;  
 FIG. 3 is a front view thereof;  
 FIG. 4 is a rear view thereof;  
 FIG. 5 is a right side view thereof;  
 FIG. 6 is a left side view thereof;  
 FIG. 7 is a top view thereof; and,  
 FIG. 8 is a bottom view thereof.  
 The broken lines represent portions of the planter urn and form no part of the claimed design.

**1 Claim, 8 Drawing Sheets**



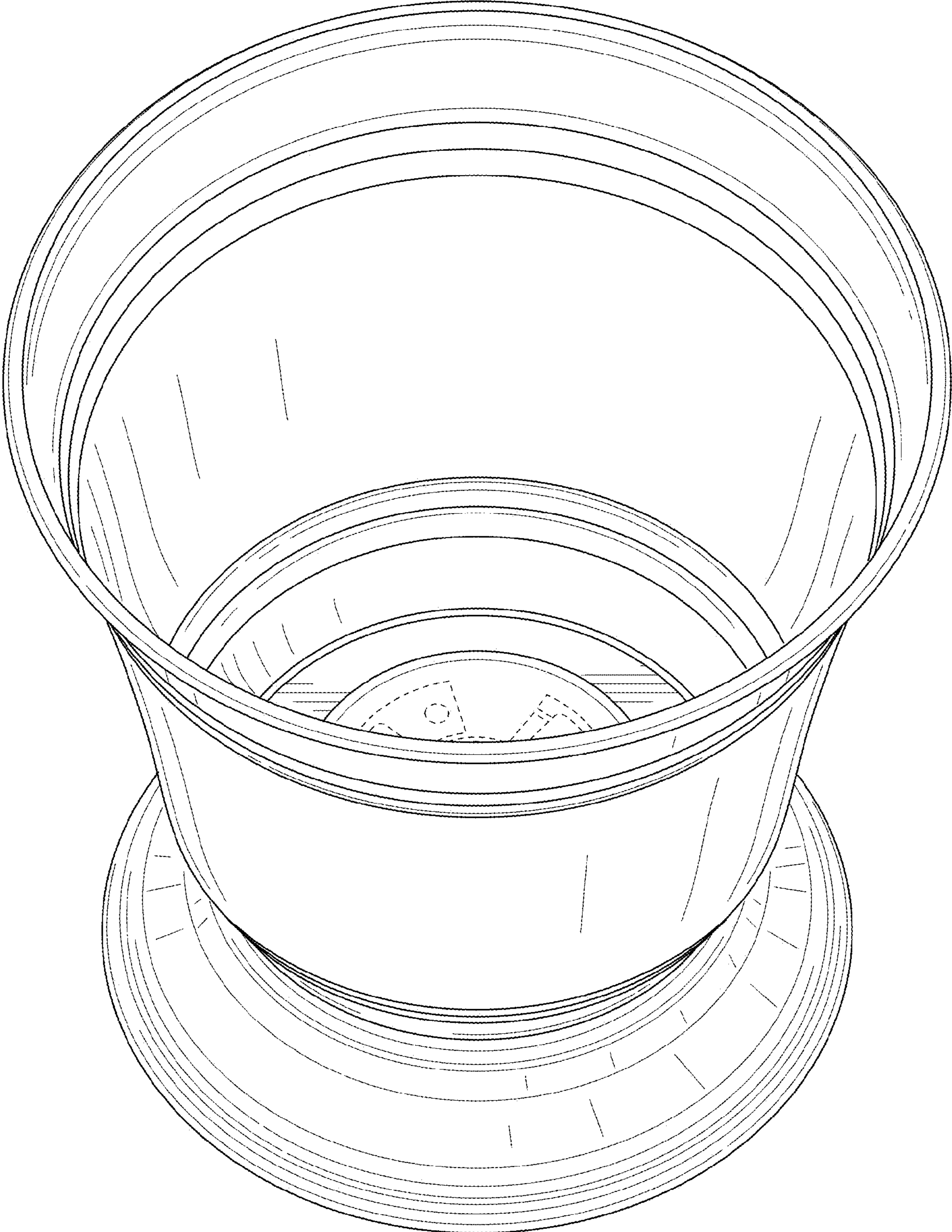


FIG. 1

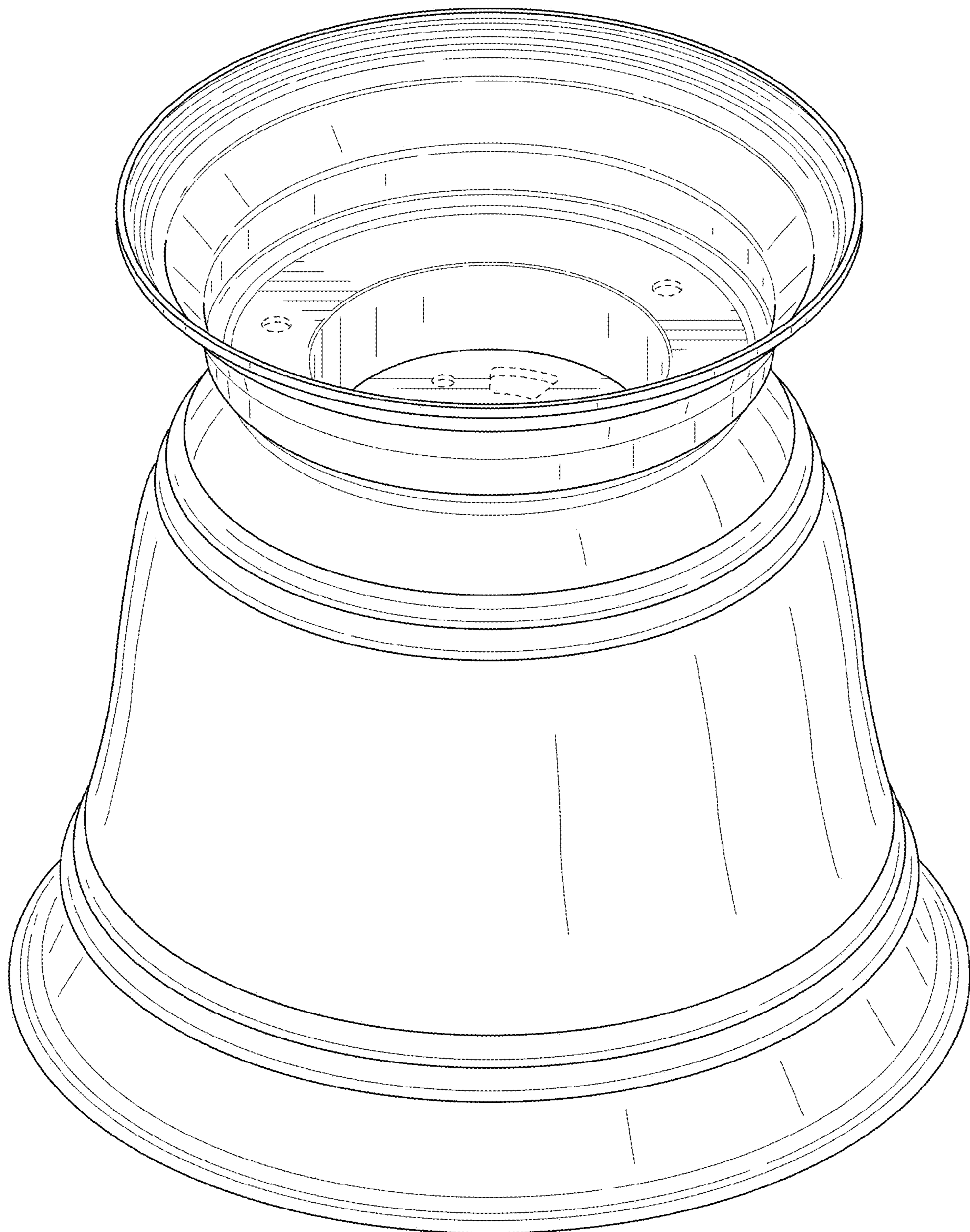


FIG. 2

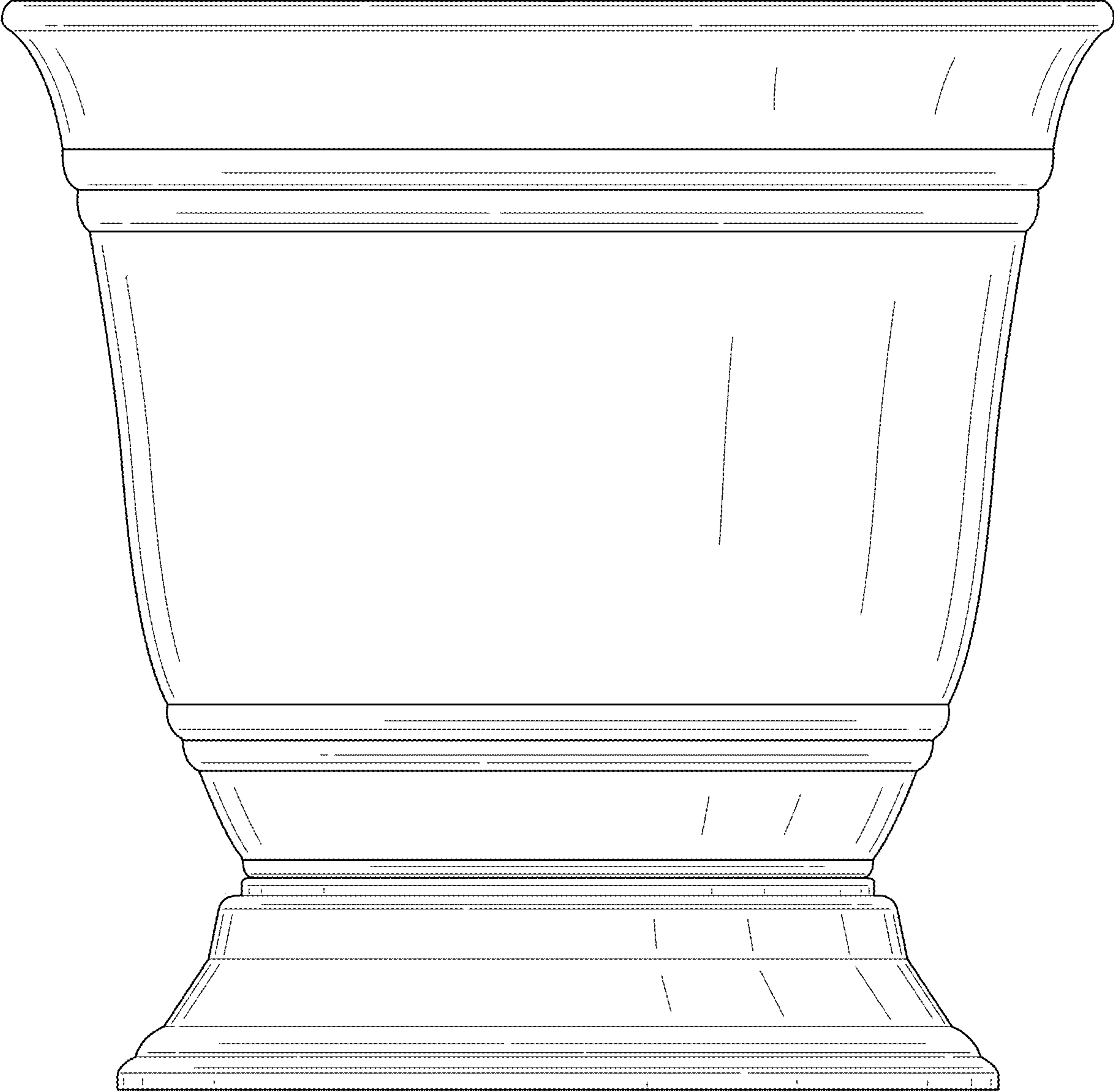


FIG. 3

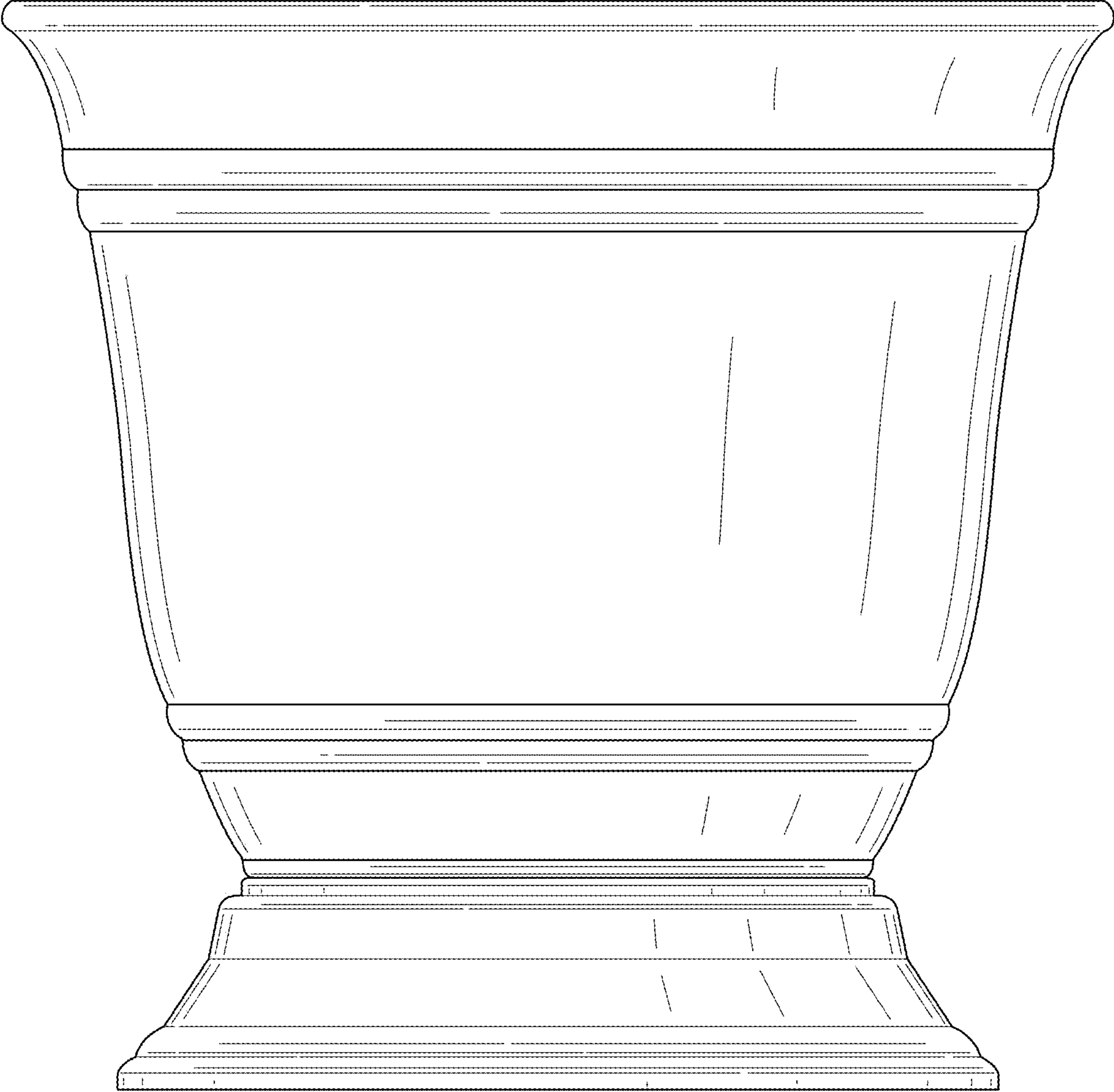


FIG. 4

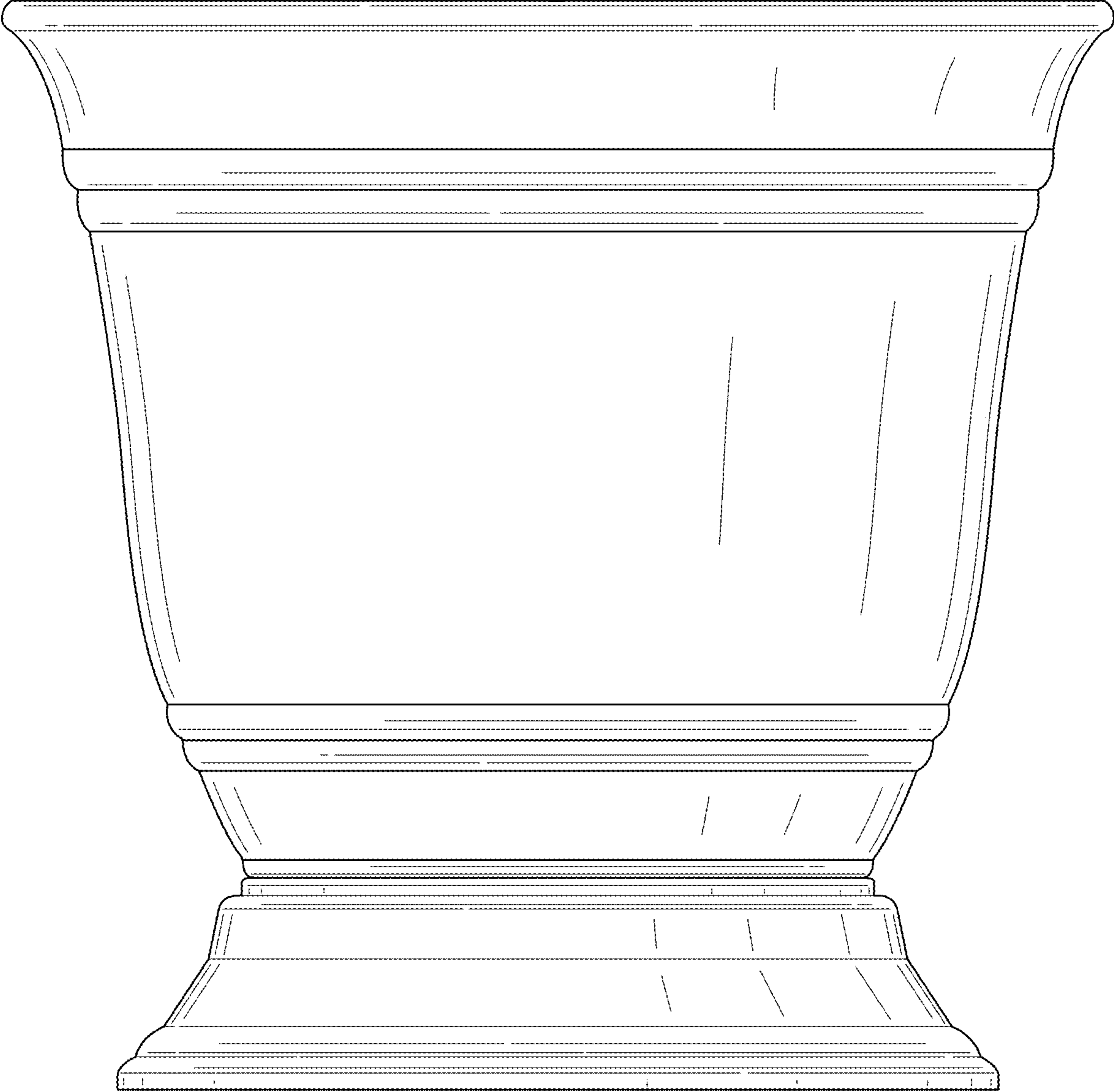


FIG. 5

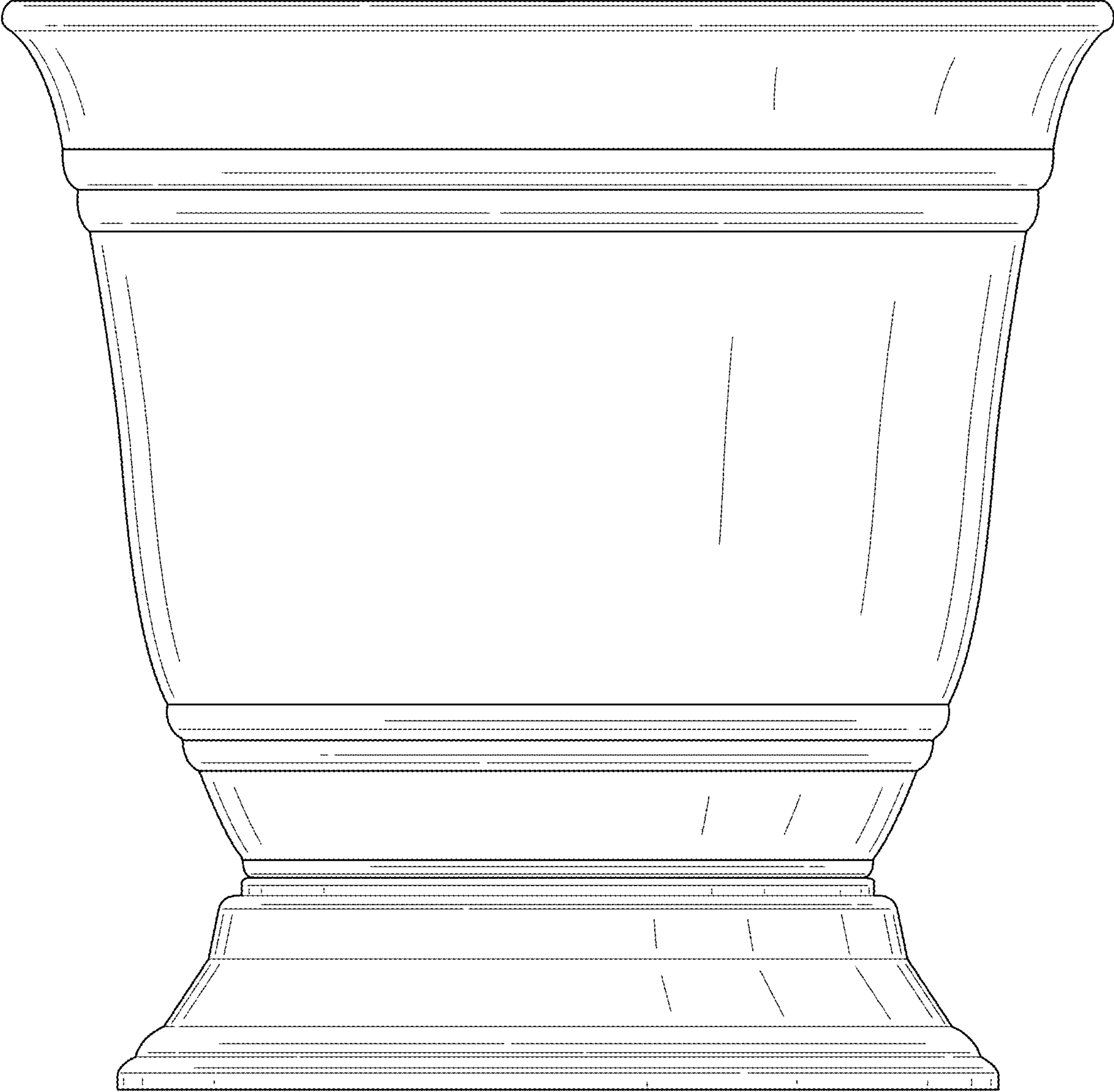


FIG. 6

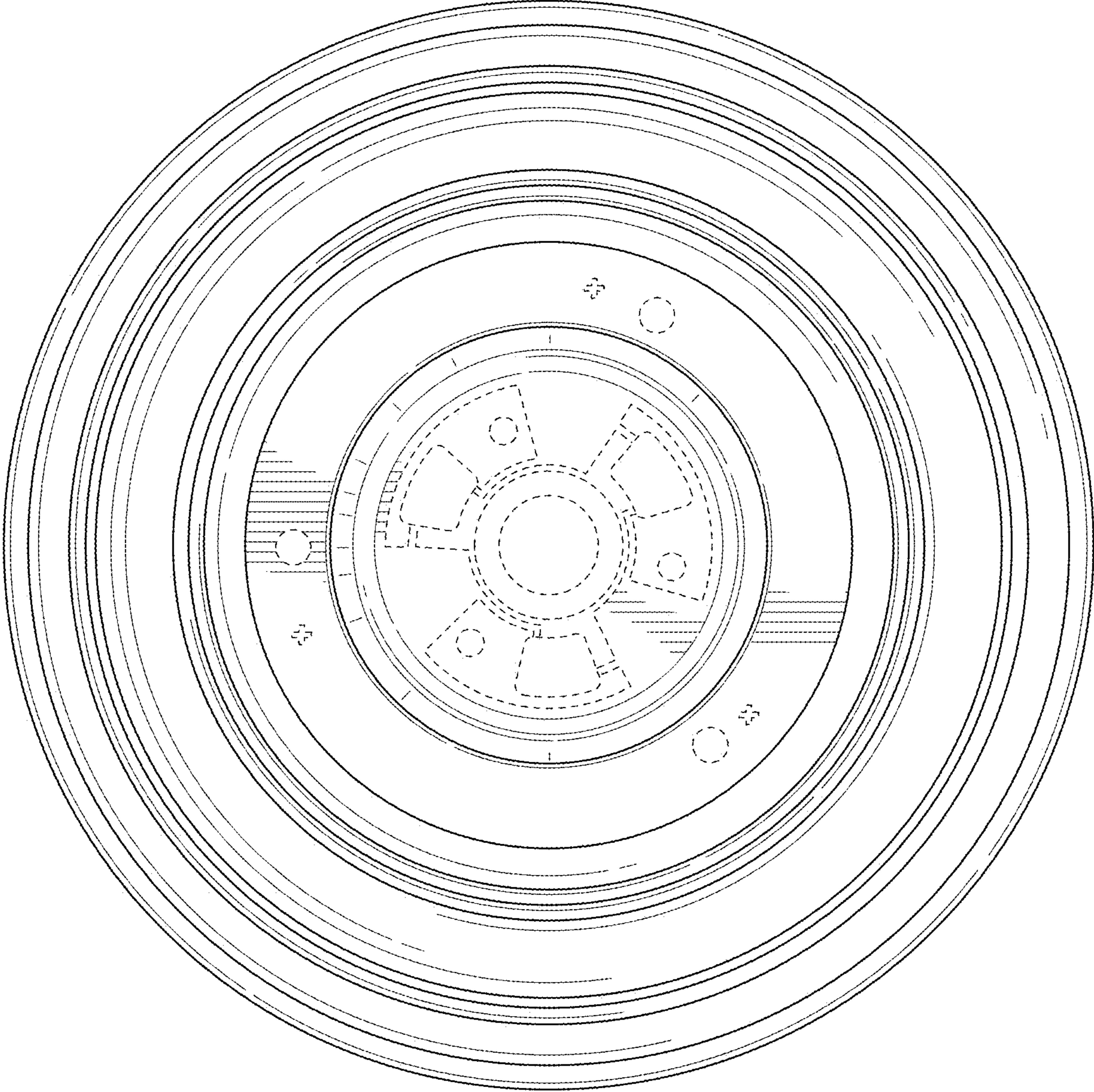


FIG. 7



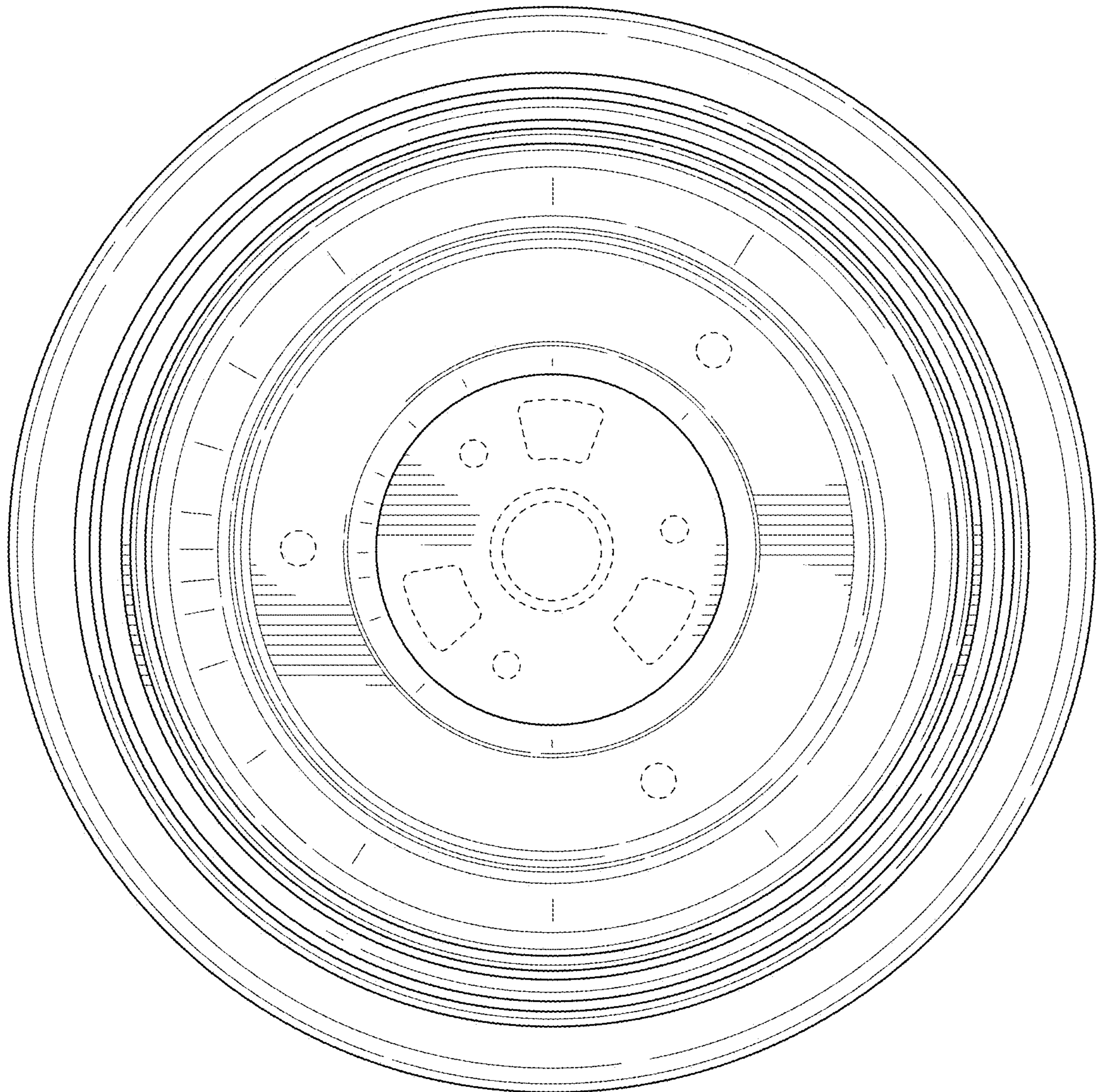


FIG. 8