



US00D942312S

(12) **United States Design Patent**
Huang

(10) **Patent No.:** **US D942,312 S**
(45) **Date of Patent:** **** Feb. 1, 2022**

- (54) **TREE COLLAR**
- (71) Applicant: **SHANTOU TWAY GIFTS INDUSTRIAL CO., LTD.**, Shantou (CN)
- (72) Inventor: **Shaoting Huang**, Shantou (CN)
- (73) Assignee: **SHANTOU TWAY GIFTS INDUSTRIAL CO., LTD.**, Shantou (CN)
- (**) Term: **15 Years**
- (21) Appl. No.: **29/750,874**
- (22) Filed: **Sep. 17, 2020**
- (51) **LOC (13) Cl.** **11-05**
- (52) **U.S. Cl.**
USPC **D11/130**
- (58) **Field of Classification Search**
USPC D11/117, 118, 121, 130, 130.1, 131, 142, D11/143, 144, 152, 153, 154, 164; D2/775, 861; D7/624.1, 624.2; 206/423; 47/40.5; 428/7, 8, 9, 12, 18, 20, 66.6
CPC B65D 85/00; B65D 85/50; B65D 85/505; B65D 85/52; A47G 7/08; A47G 7/085; A47G 33/12; A47G 33/1206; A47G 33/1266; A47G 33/128; A47G 33/04; A47G 33/045; A47G 33/08
See application file for complete search history.

(56) **References Cited**

U.S. PATENT DOCUMENTS

- 104,418 A * 6/1870 Branson A01G 13/105
47/32.5
- 633,528 A * 9/1899 Morris A01G 13/043
47/23.2
- 1,853,164 A * 4/1932 Block A47G 33/12
362/134
- D188,192 S * 6/1960 Riveras D11/130
- 3,036,554 A * 5/1962 Johnson A01K 13/006
119/821

- 3,750,731 A * 8/1973 Brimmell B65D 75/18
206/423
- D229,758 S * 1/1974 Bartel D11/130
- D280,979 S * 10/1985 Groth 428/131
- 4,581,277 A * 4/1986 Neale A47G 33/045
2/211
- 4,799,520 A * 1/1989 Blackburn A47G 33/045
206/423
- 4,932,157 A * 6/1990 Shimp A01G 13/0237
47/32

(Continued)

OTHER PUBLICATIONS

26" D Golden Hammered Metal Tree Collar, [\(Continued\)](https://gizmoscentral.com/product/26-d-golden-hammered-metal-tree-collar/?msclkid=9e31b4ae7559163f0edbd4030d69bc12&utm_source=bing&utm_medium=cpc&utm_campaign=0201_bing_shopping_%E6%9B%BF%E8%A1%A5&utm_term=4588811780318388&utm_content=25691, 2021 (Year: 2021).*</p></div>
<div data-bbox=)

Primary Examiner — Elizabeth J Oswecki

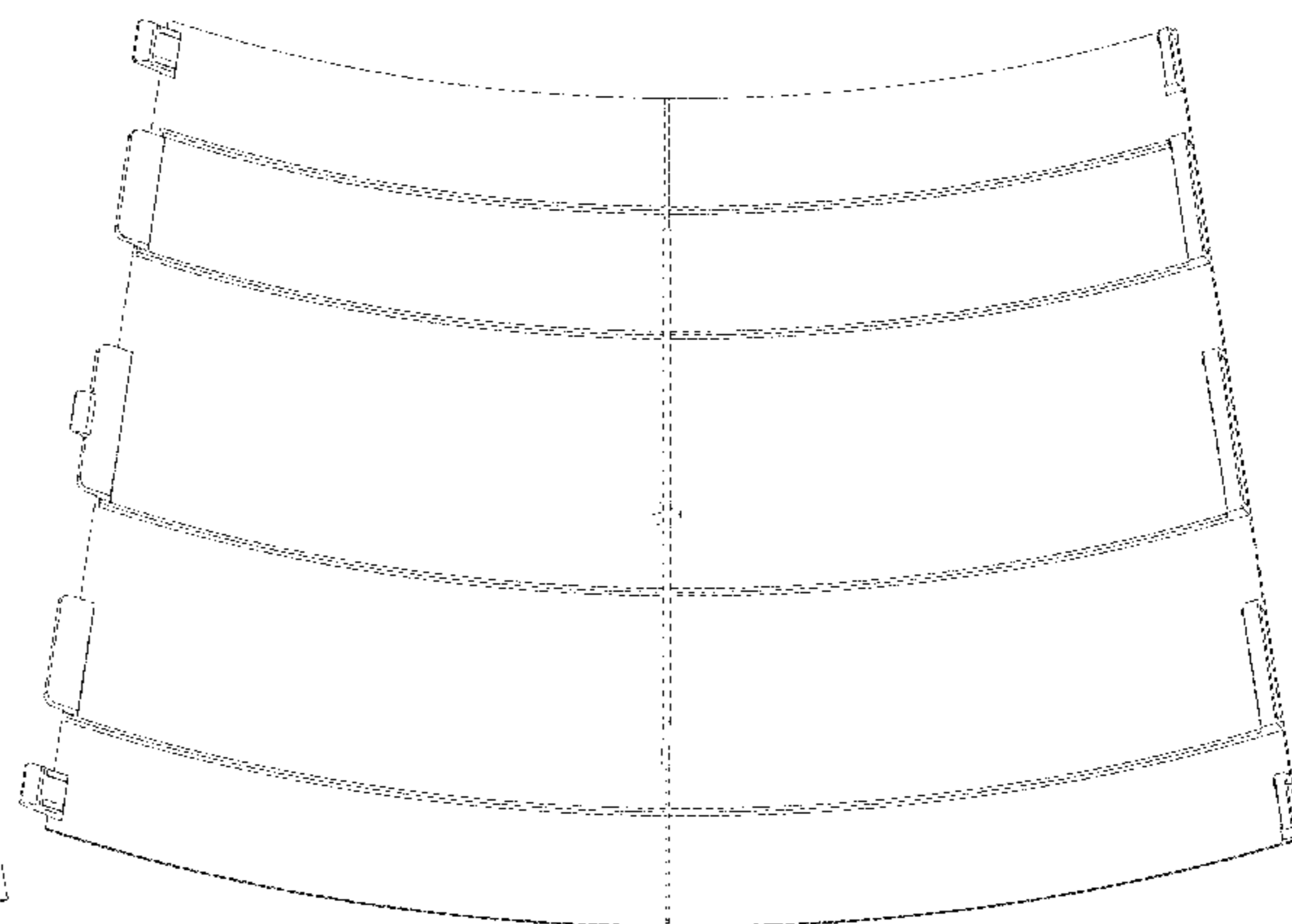
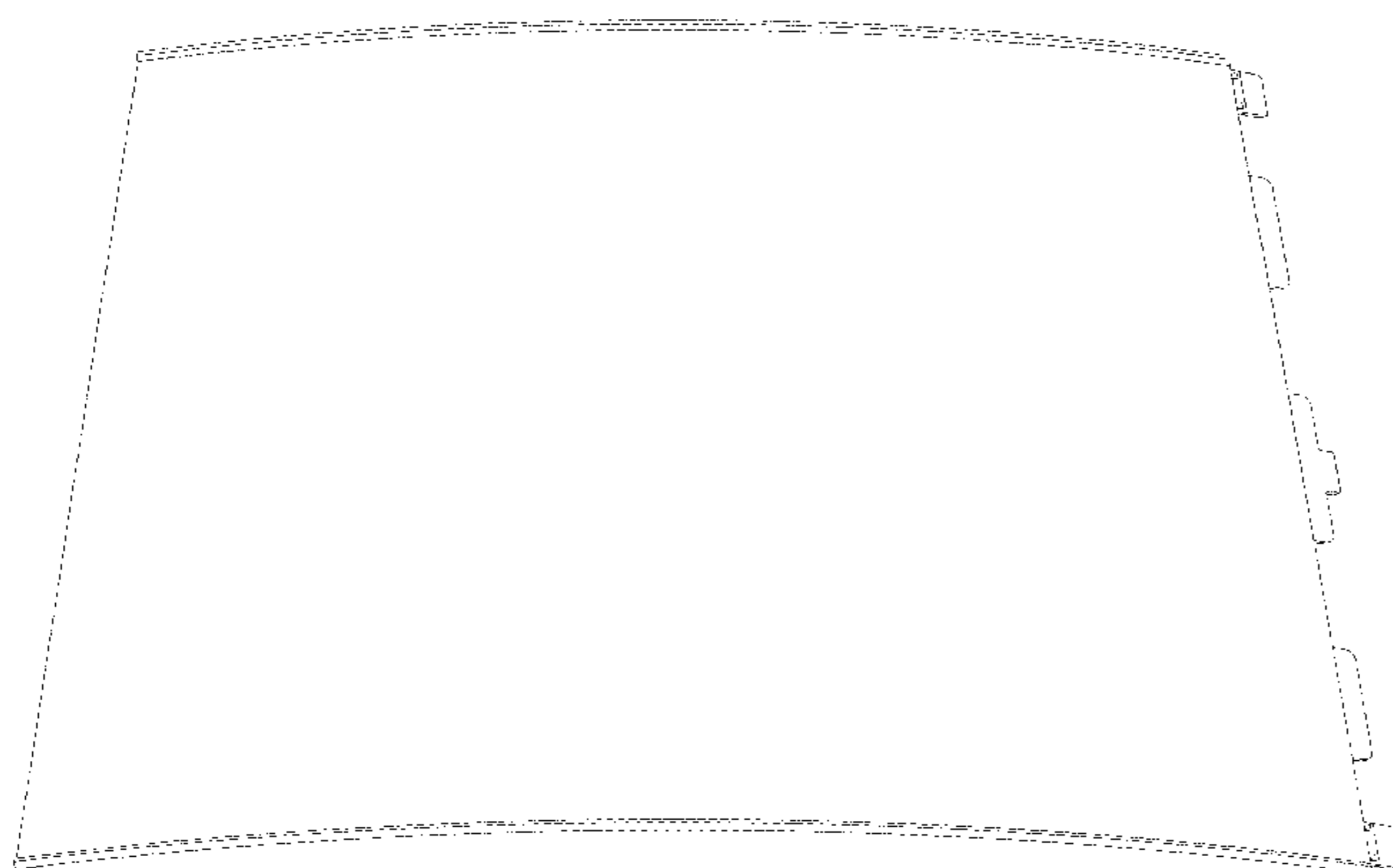
(57) **CLAIM**

The ornamental design for a tree collar, as shown and described.

DESCRIPTION

FIG. 1 is a front elevational view of a tree collar showing my new design;
FIG. 2 is a rear elevational view thereof;
FIG. 3 is a left side elevational view thereof;
FIG. 4 is a right side elevational view thereof;
FIG. 5 is a top plan view thereof;
FIG. 6 is a bottom plan view thereof;
FIG. 7 is a perspective view thereof; and,
FIG. 8 is another perspective thereof, where the tree collar is shown in a used configuration.
The broken line showing of a tree collar is included for the purpose of illustrating portions of the article that form no part of the claimed design.

1 Claim, 8 Drawing Sheets



(56)

References Cited

U.S. PATENT DOCUMENTS

5,058,317 A * 10/1991 McMurtrey A01G 13/0281
47/31.1
D346,344 S * 4/1994 Vincent D11/130
5,396,731 A * 3/1995 Byrne A01G 13/0281
47/32
D406,080 S * 2/1999 Marr D11/130
6,098,348 A * 8/2000 Weaver A01K 39/0113
119/52.3
D436,929 S * 1/2001 Kane D13/156
D440,833 S * 4/2001 Tanner D8/1
6,705,044 B2 * 3/2004 Clancey A01G 13/0281
47/31.1
D497,831 S * 11/2004 Anderson D11/130
D632,851 S * 2/2011 Maroney D30/152
D705,502 S * 5/2014 Markfield D30/152
8,734,928 B1 * 5/2014 LaVigna F24C 1/10
428/100

D723,417 S * 3/2015 Walter D11/130
D737,171 S * 8/2015 Walter
D760,115 S * 6/2016 Zhao D11/130
D760,116 S * 6/2016 Zhao D11/130
D765,542 S * 9/2016 Aello Garcia D11/130
10,213,039 B2 * 2/2019 Henz A47G 33/04
D906,603 S * 12/2020 Vaccaro D30/152
D913,469 S * 3/2021 Song D23/365

OTHER PUBLICATIONS

8 Creative Christmas Tree Collars to Spruce Up Your Tree,<https://www.anodtonavy.com/8-creative-christmas-tree-collars-to-spruce-up-your-tree/>, Copyright © 2021 (Year: 2021).
*
“Toyland® Willow Tree Skirt—Base Cover—Christmas Decoration (Grey, 56cm)”, Retrieved Sep. 17, 2020]. Retrieved from Internet, <https://www.amazon.co.uk/Toyland%C2%AE-56cm-Beige-Willow-Skirt/dp/B07X7GCV34/>.

* cited by examiner

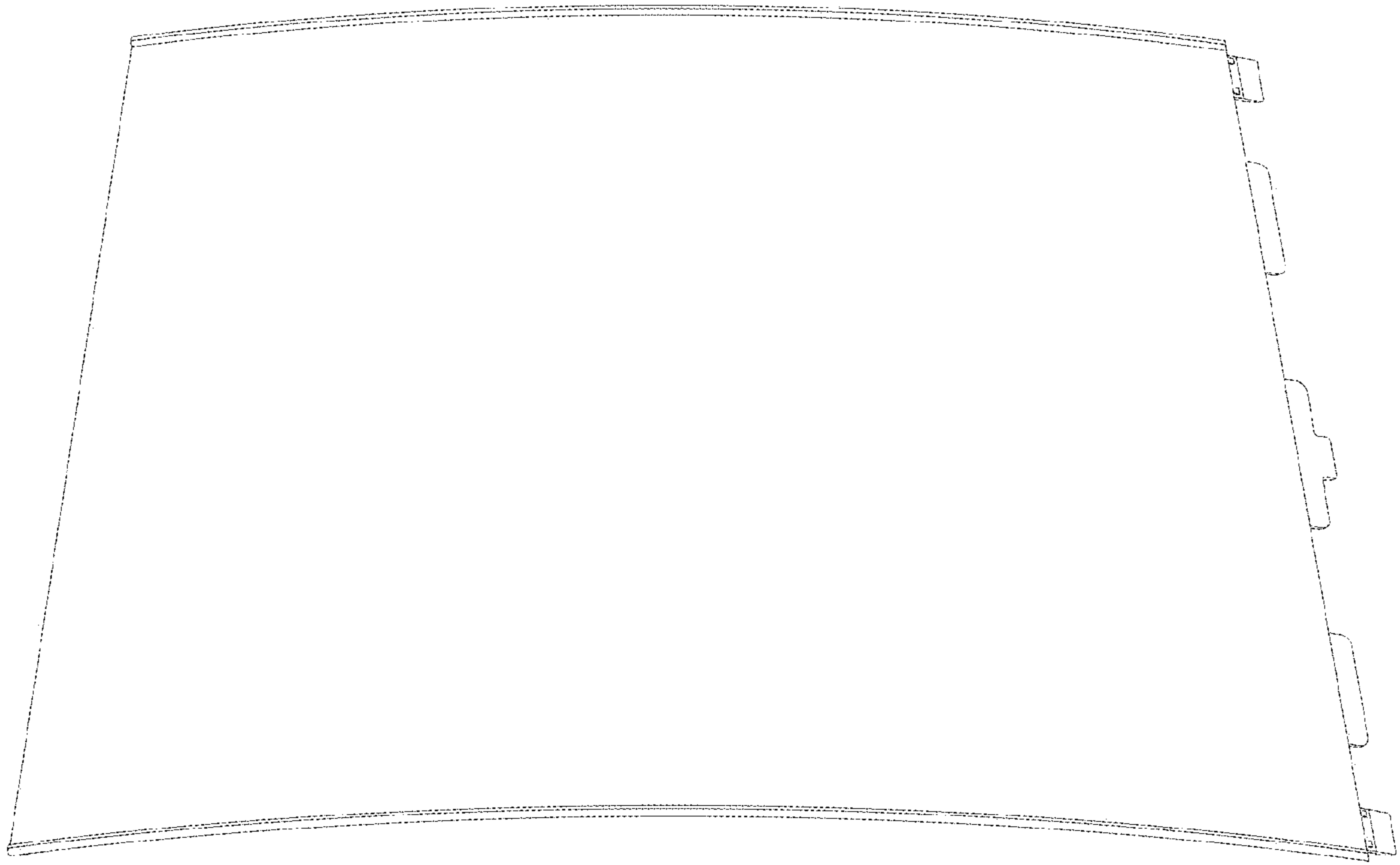


FIG. 1

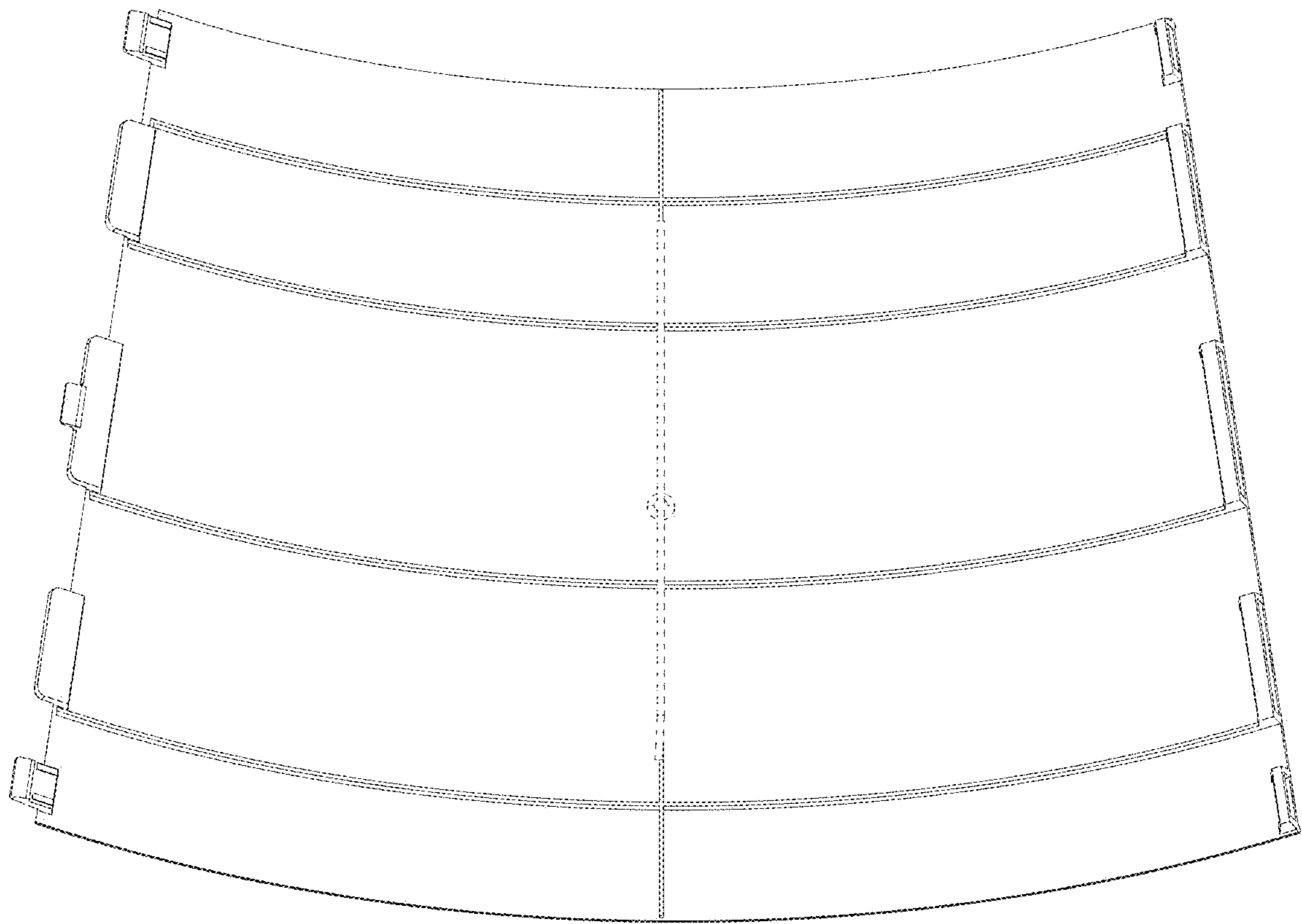


FIG. 2

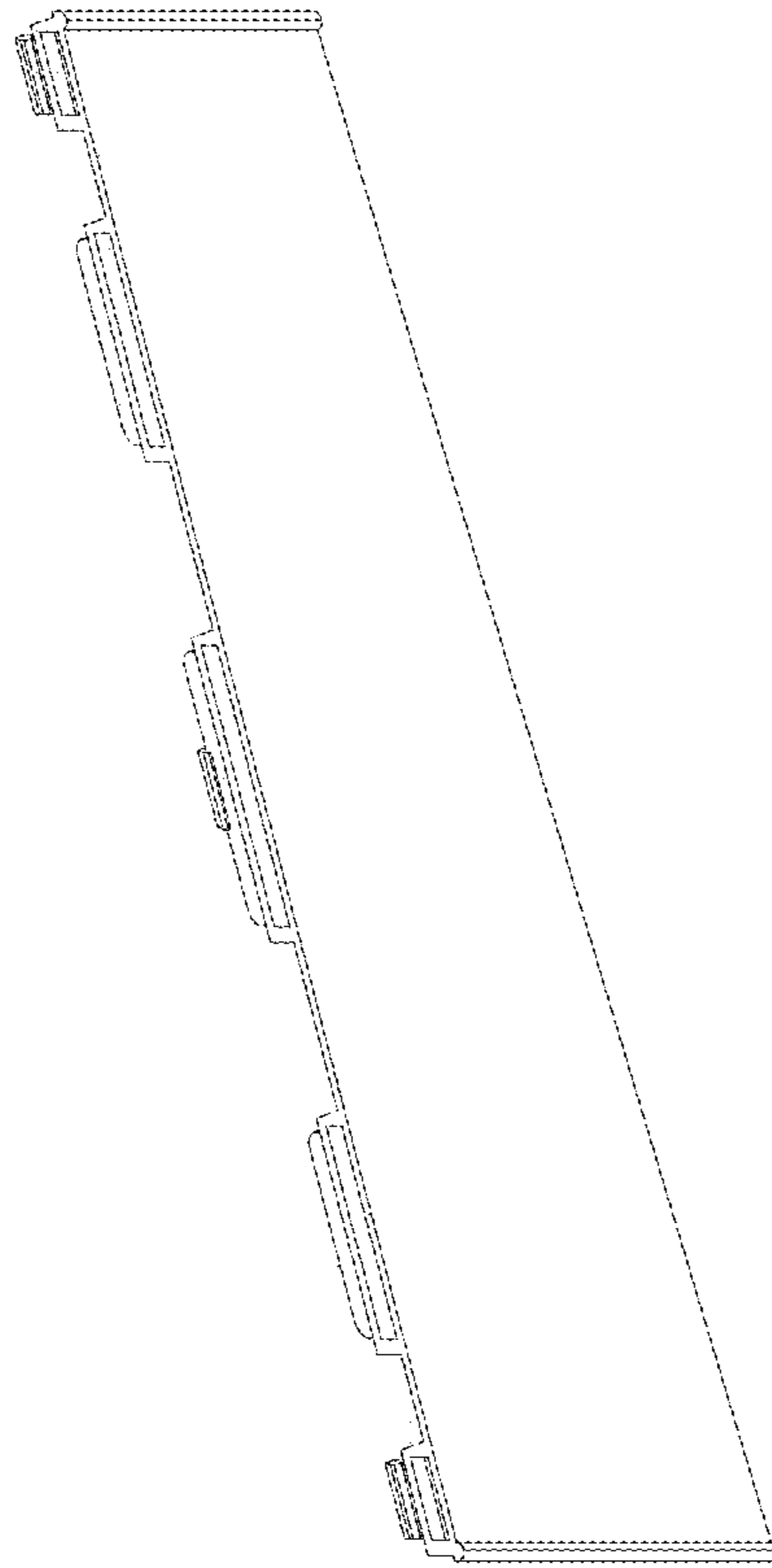


FIG. 3

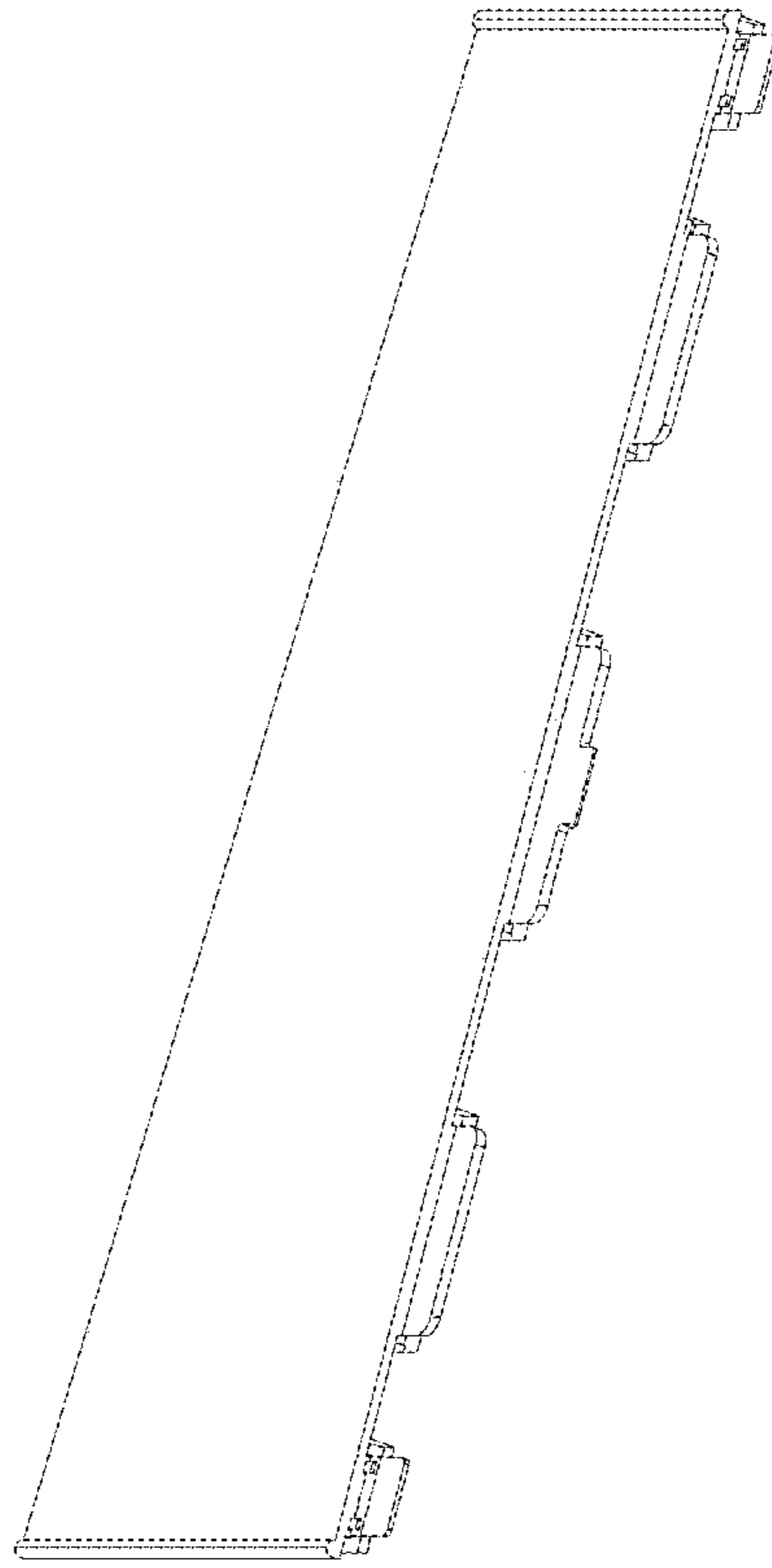


FIG. 4

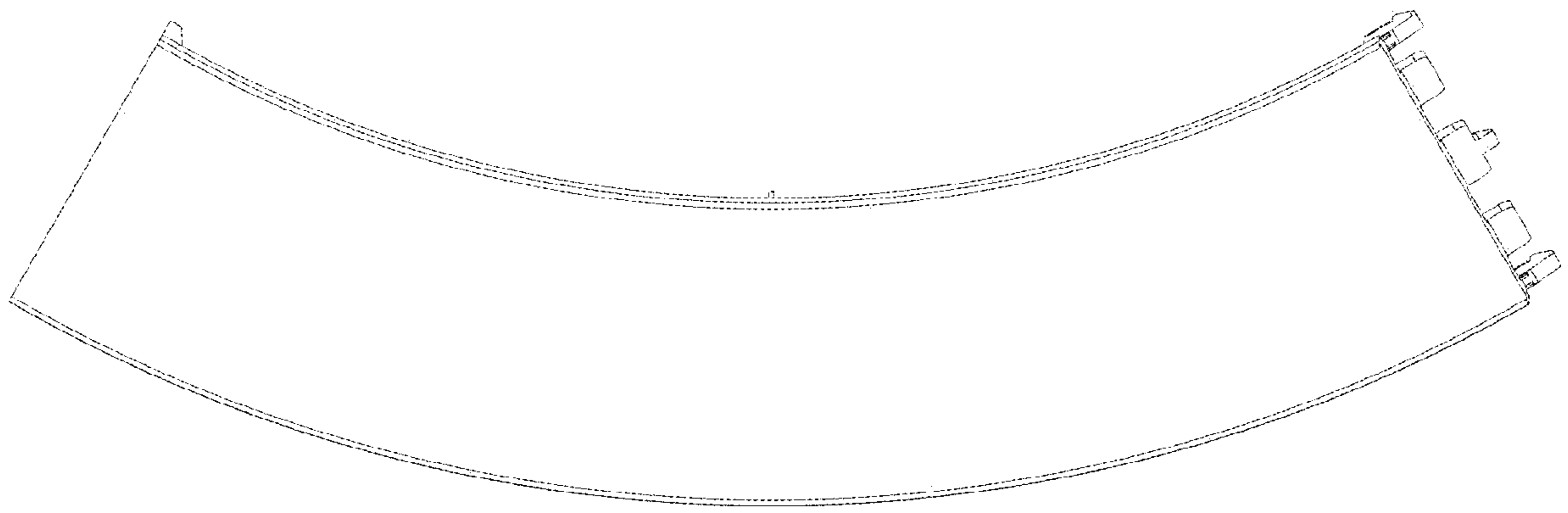


FIG. 5

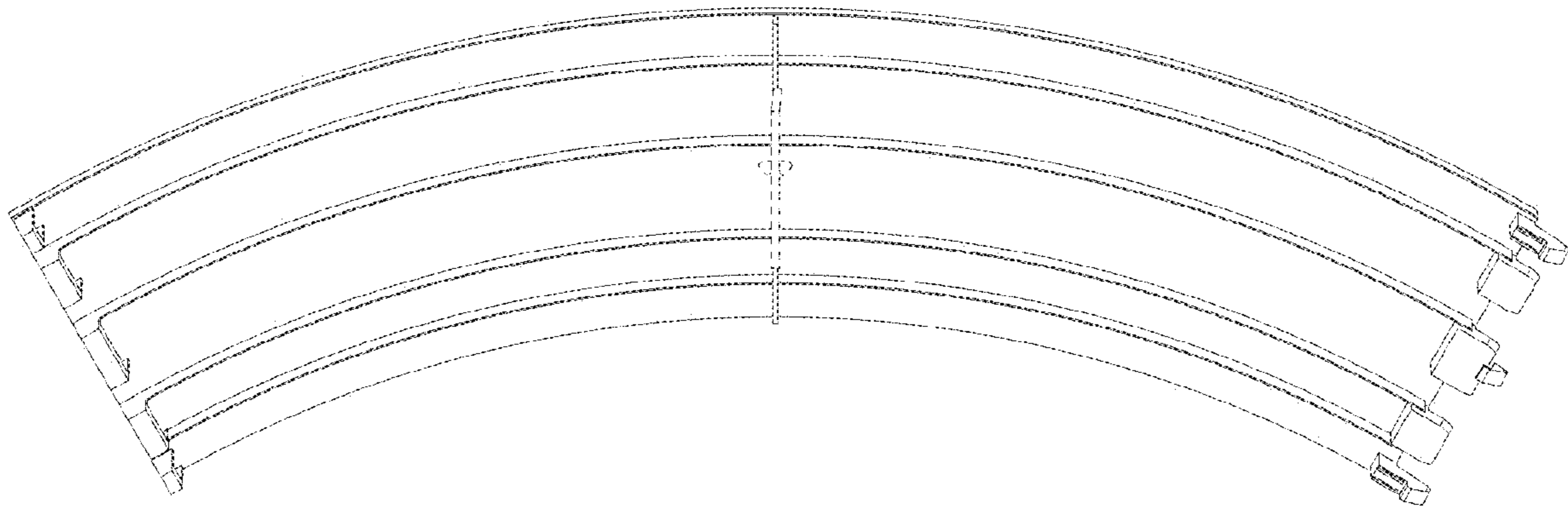


FIG. 6

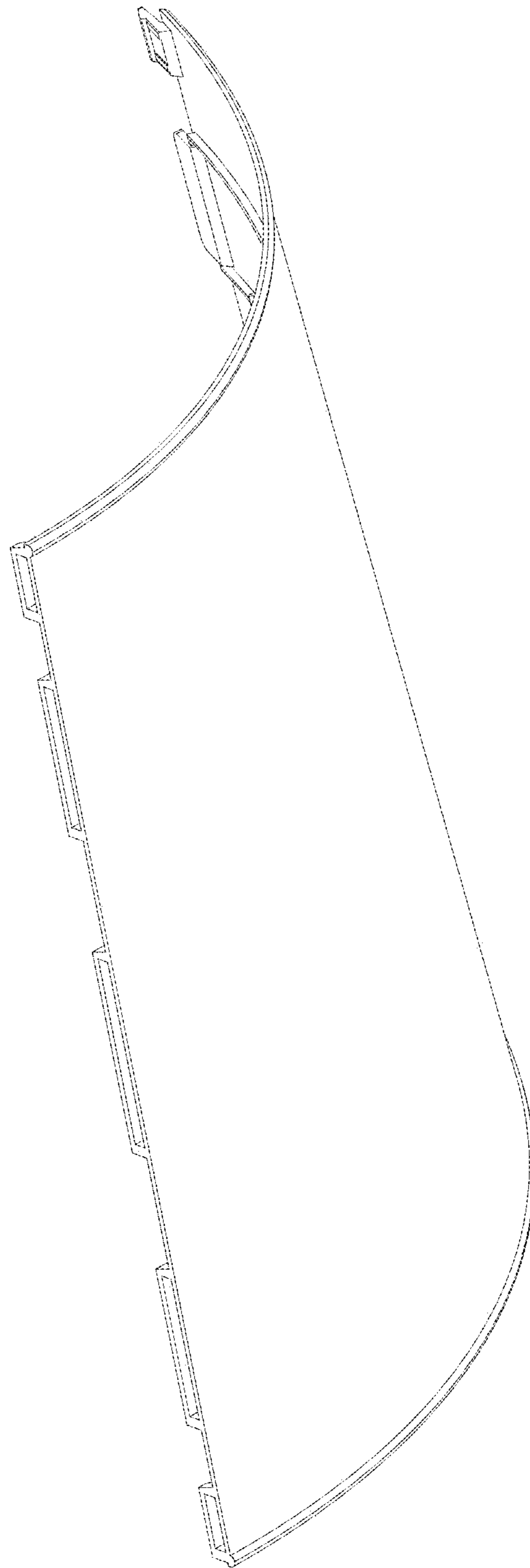


FIG. 7

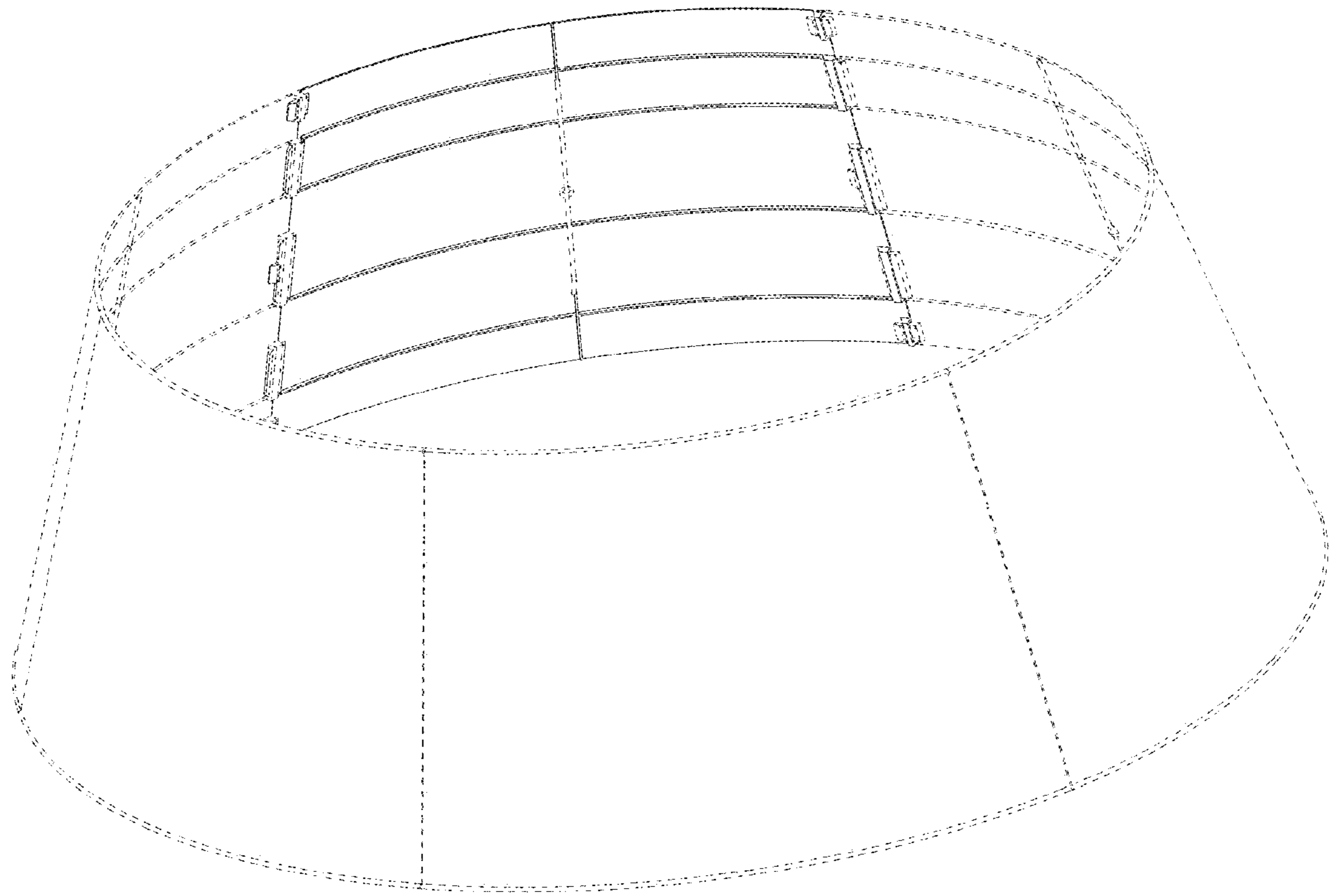


FIG. 8