

US00D942306S

(12) **United States Design Patent** (10) **Patent No.:** **US D942,306 S**  
**Abdourahim** (45) **Date of Patent:** **\*\* Feb. 1, 2022**

(54) **PAIR OF EARRINGS**

- (71) Applicant: **Harry Winston SA**, Plan-les-Ouates (CH)  
 (72) Inventor: **Delphine Abdourahim**, New York, NY (US)  
 (73) Assignee: **Harry Winston S.A.**, Plan-les-Ouates (CH)  
 (\*\*) Term: **15 Years**  
 (21) Appl. No.: **29/738,555**  
 (22) Filed: **Jun. 18, 2020**

(30) **Foreign Application Priority Data**

- Dec. 20, 2019 (WO) ..... WIPO90550  
 (51) **LOC (13) Cl.** ..... **11-01**  
 (52) **U.S. Cl.**  
 USPC ..... **D11/42**  
 (58) **Field of Classification Search**  
 USPC ..... D11/1-18, 26-45, 47, 75-79, 85-86  
 CPC ..... A44C 7/00-009  
 See application file for complete search history.

(56) **References Cited**

**U.S. PATENT DOCUMENTS**

- D146,143 S \* 12/1946 Kaufman ..... D11/40  
 D729,107 S \* 5/2015 Riviere ..... D11/42  
 D753,012 S \* 4/2016 Yatsugi-Kang ..... D11/40  
 D780,619 S \* 3/2017 Riviere ..... D11/79

**FOREIGN PATENT DOCUMENTS**

- WO D209111-005 \* 1/2020  
 WO D205045-001 \* 5/2020

**OTHER PUBLICATIONS**

Stud Earring Colombia Emerald Jacket Earrings, available 2021, online, site visited Oct. 15, 2021. Available online, URL: [https://www.1stdibs.com/jewelry/earrings/stud-earrings/stud-earring-colombia-emerald-jacket-earrings/id-j\\_12349662/](https://www.1stdibs.com/jewelry/earrings/stud-earrings/stud-earring-colombia-emerald-jacket-earrings/id-j_12349662/) (Year: 2021).\*

\* cited by examiner

*Primary Examiner* — W. A. Teddy Falloway

*Assistant Examiner* — Sarah J Ault

(74) *Attorney, Agent, or Firm* — Blank Rome LLP

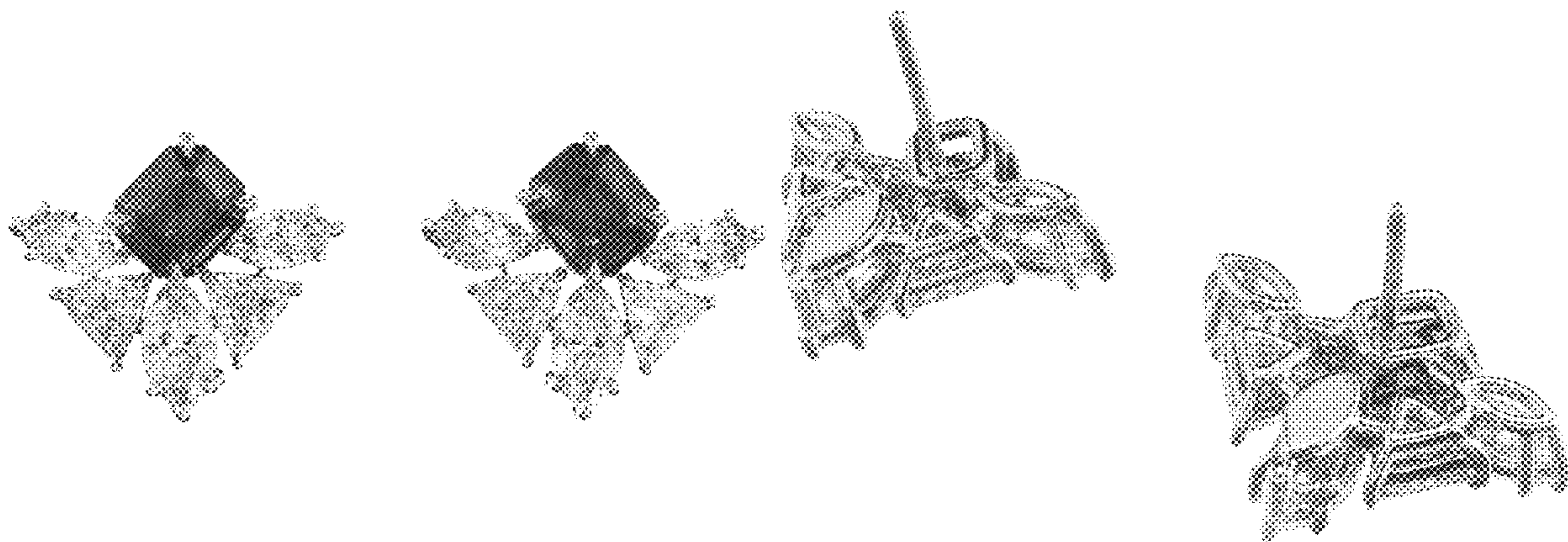
(57) **CLAIM**

The ornamental design for a pair of earrings, as shown and described.

**DESCRIPTION**

FIG. 1 is a front view of a pair of earrings of the present design;  
 FIG. 2 is a rear perspective view thereof;  
 FIG. 3 is a left side perspective view thereof;  
 FIG. 4 is a right side perspective view thereof;  
 FIG. 5 is a top rear perspective view thereof;  
 FIG. 6 is a bottom rear perspective view thereof;  
 FIG. 7 is a front right perspective view thereof; and,  
 FIG. 8 is a rear left perspective view thereof.

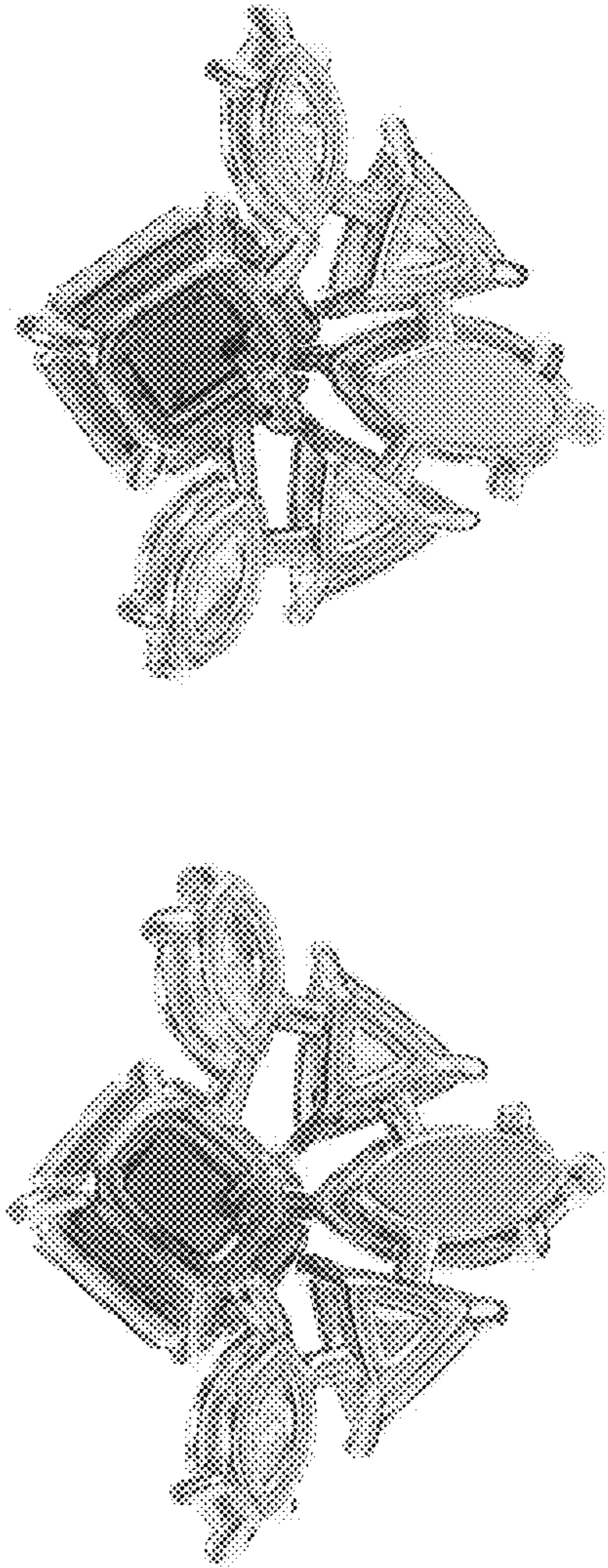
**1 Claim, 8 Drawing Sheets**



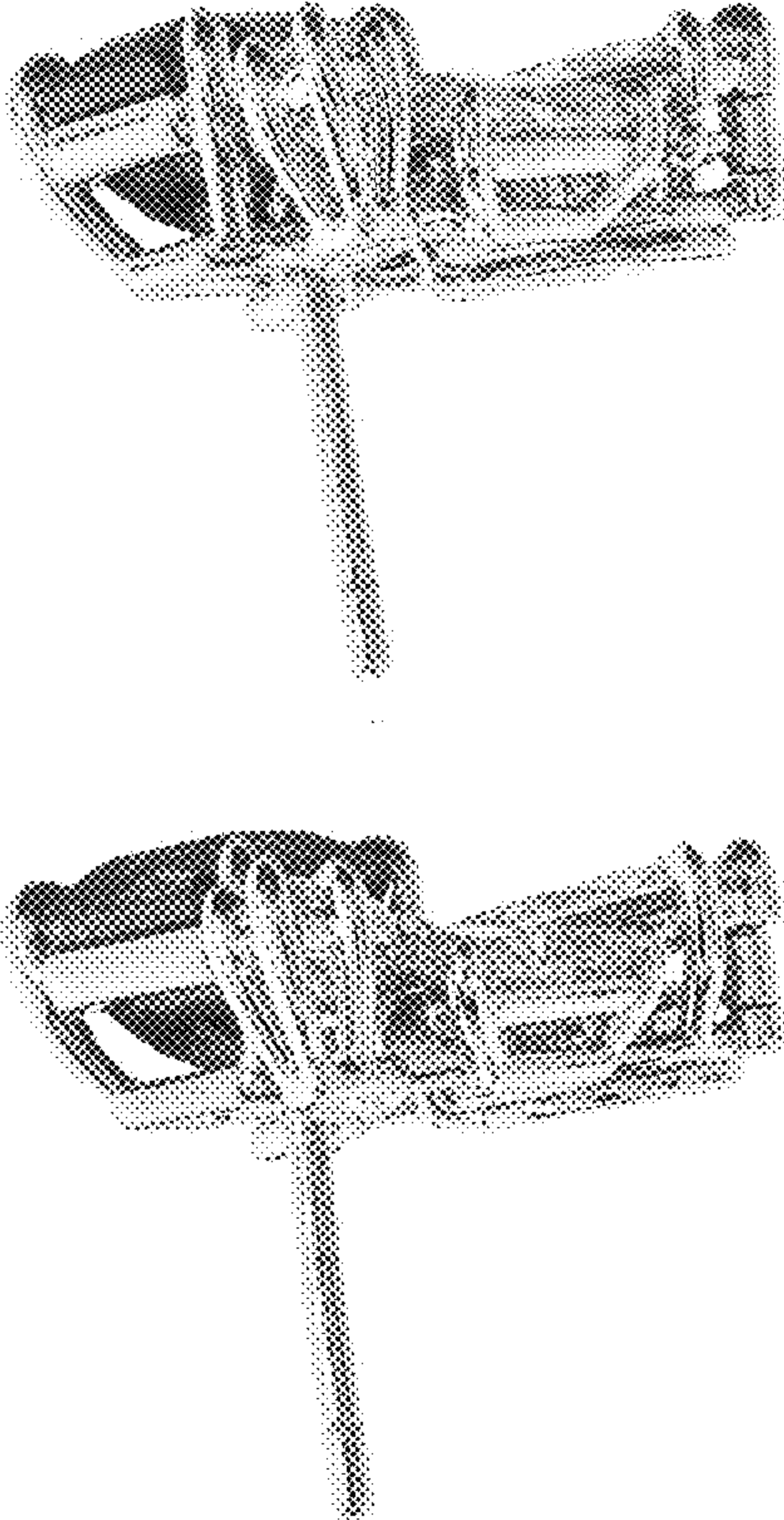


**FIG. 1**

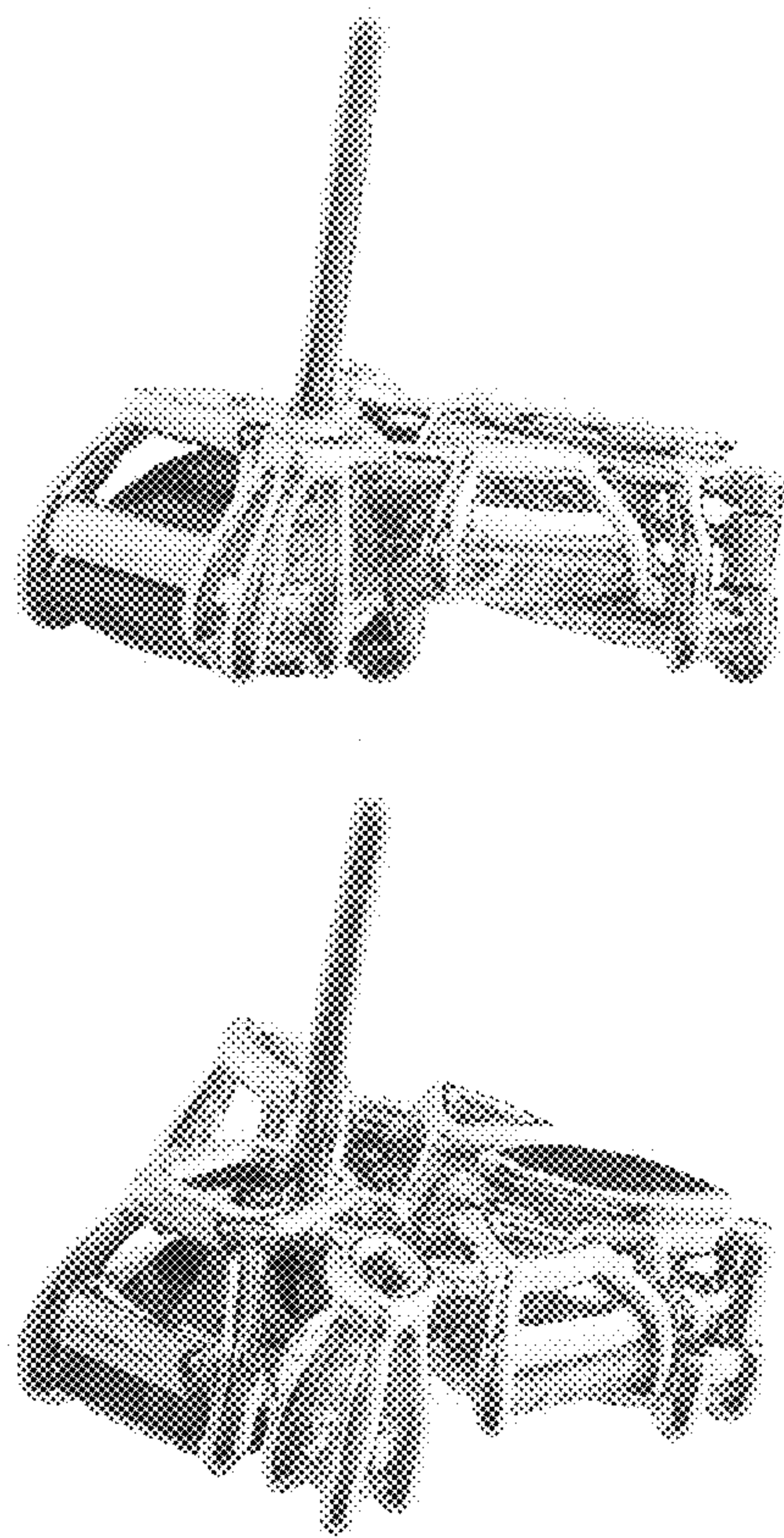




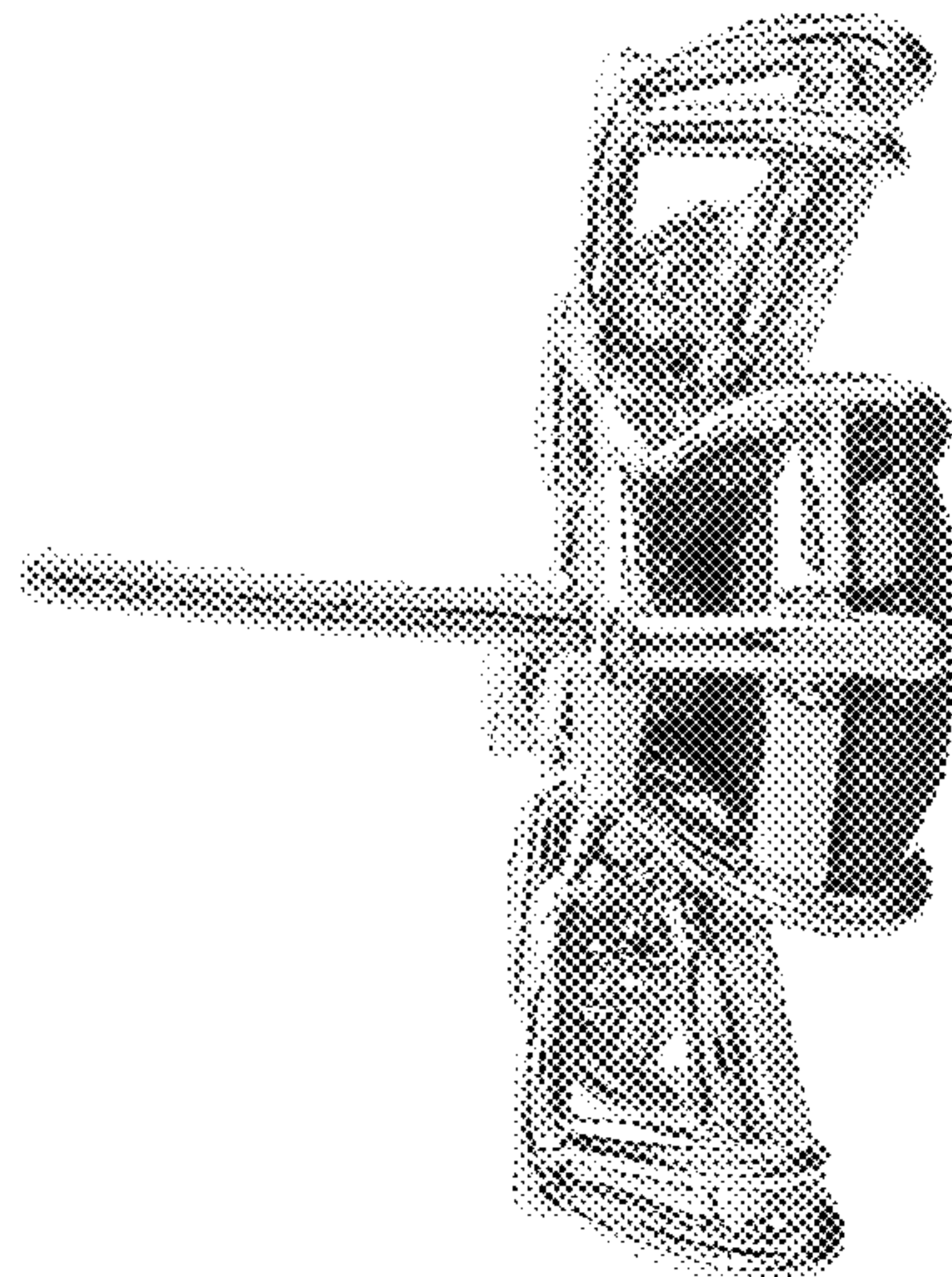
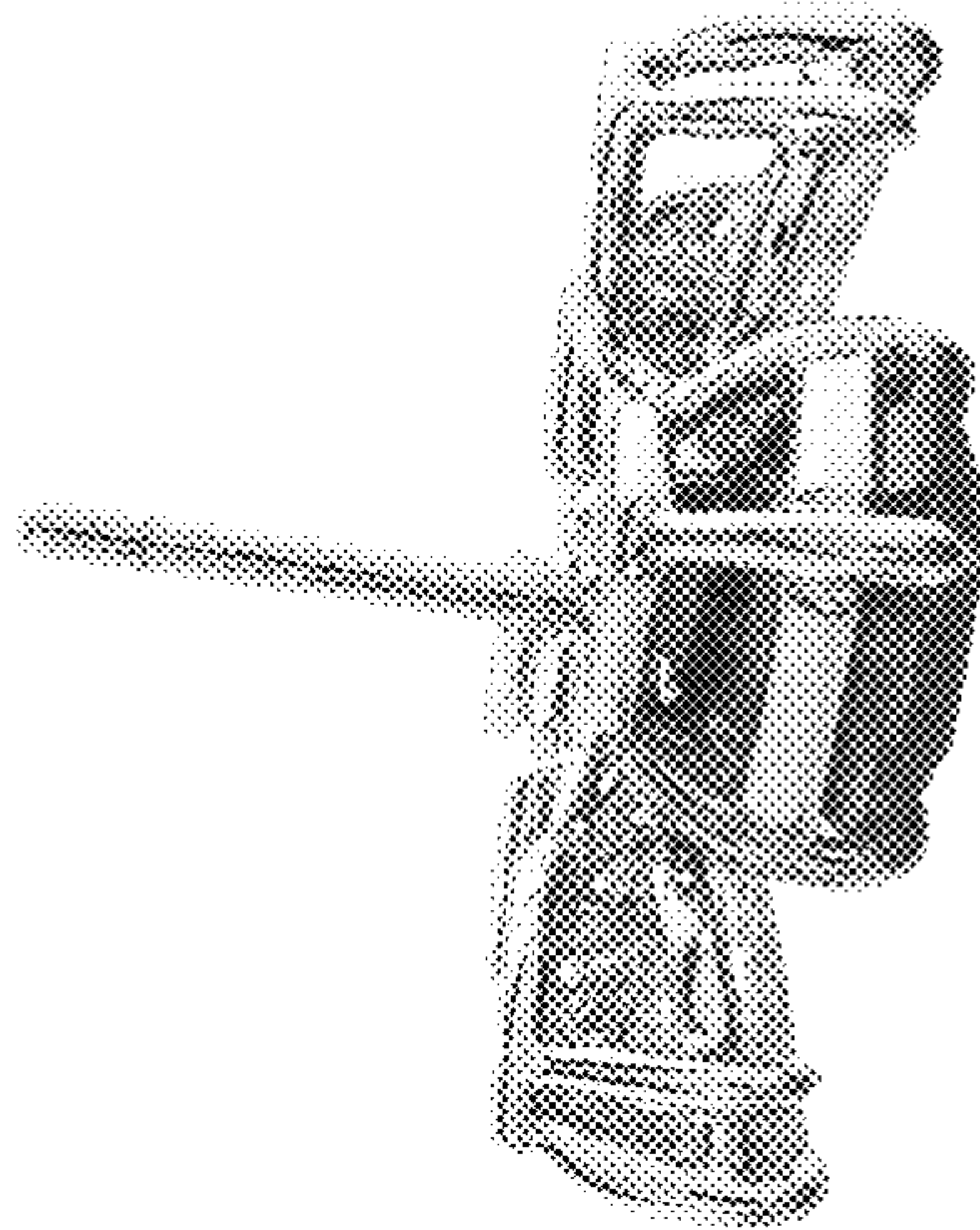
**FIG. 2**



**FIG. 3**

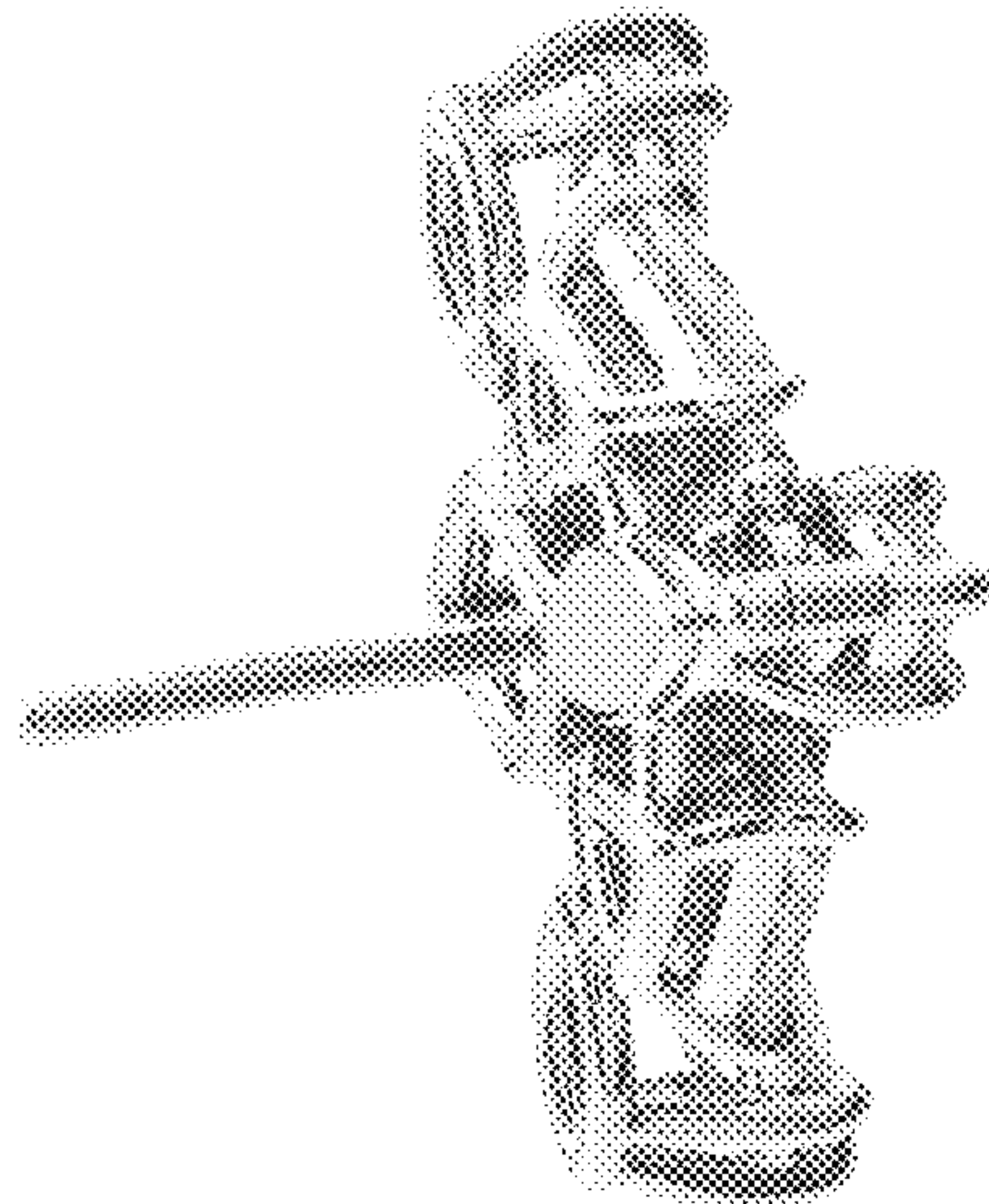
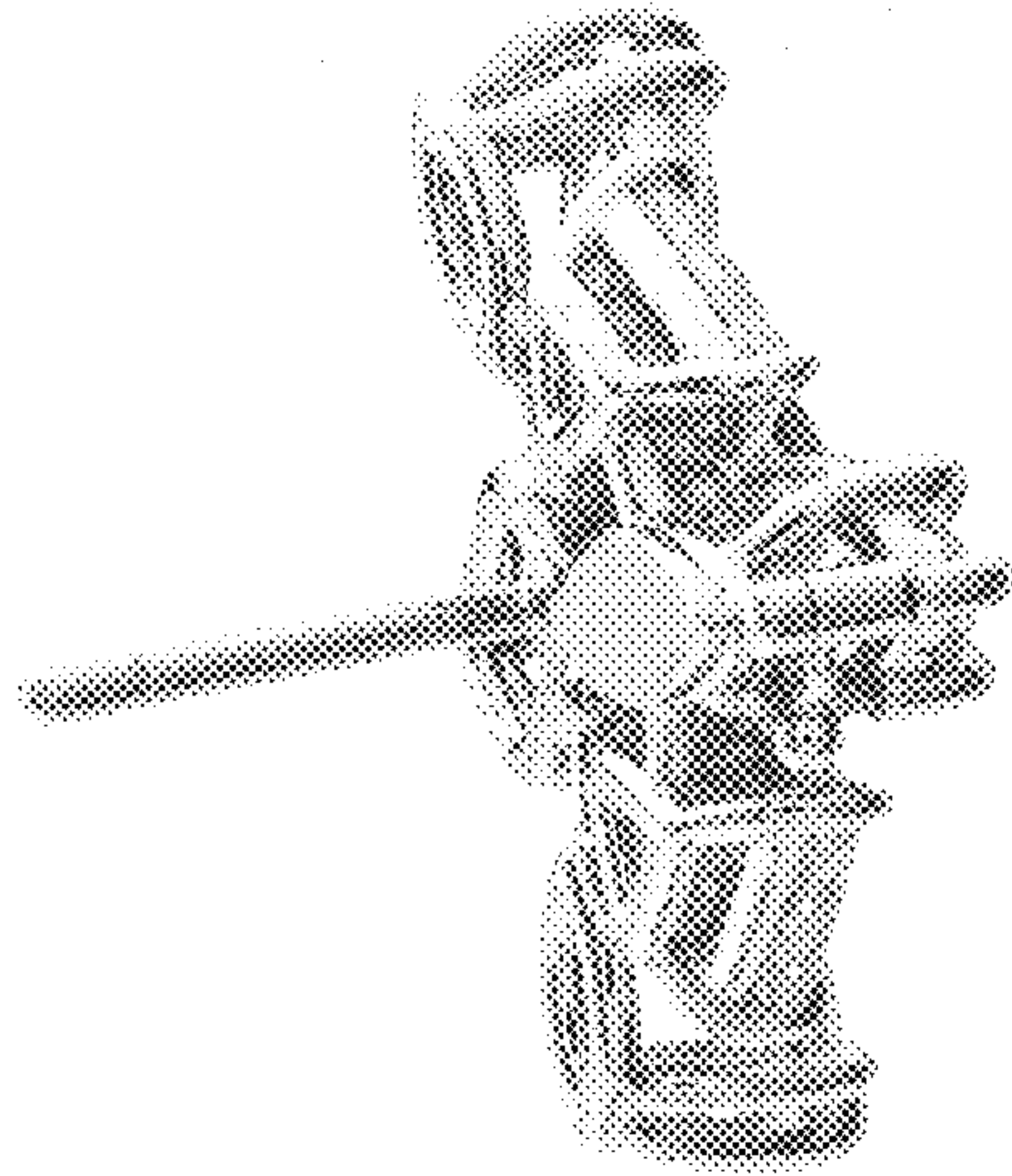


**FIG. 4**

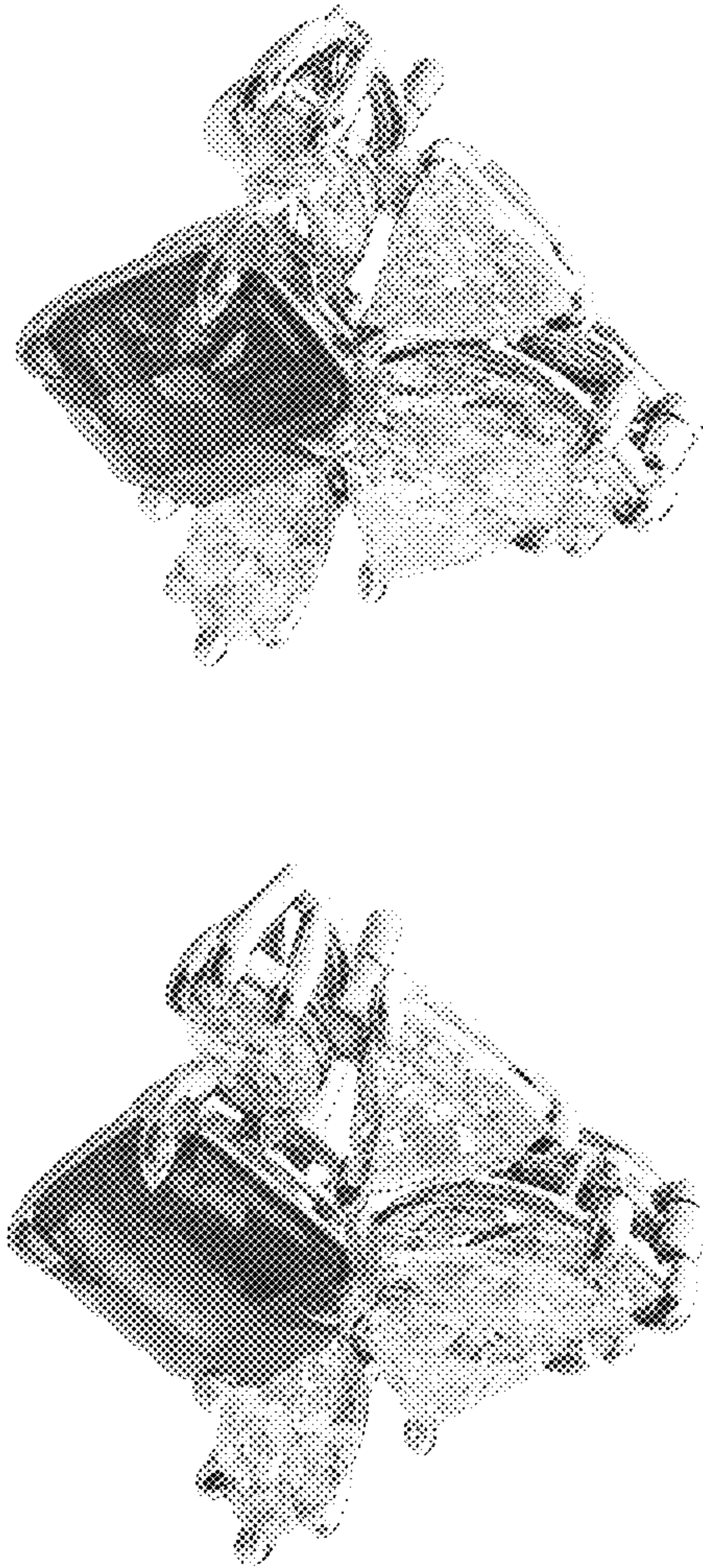


**FIG. 5**



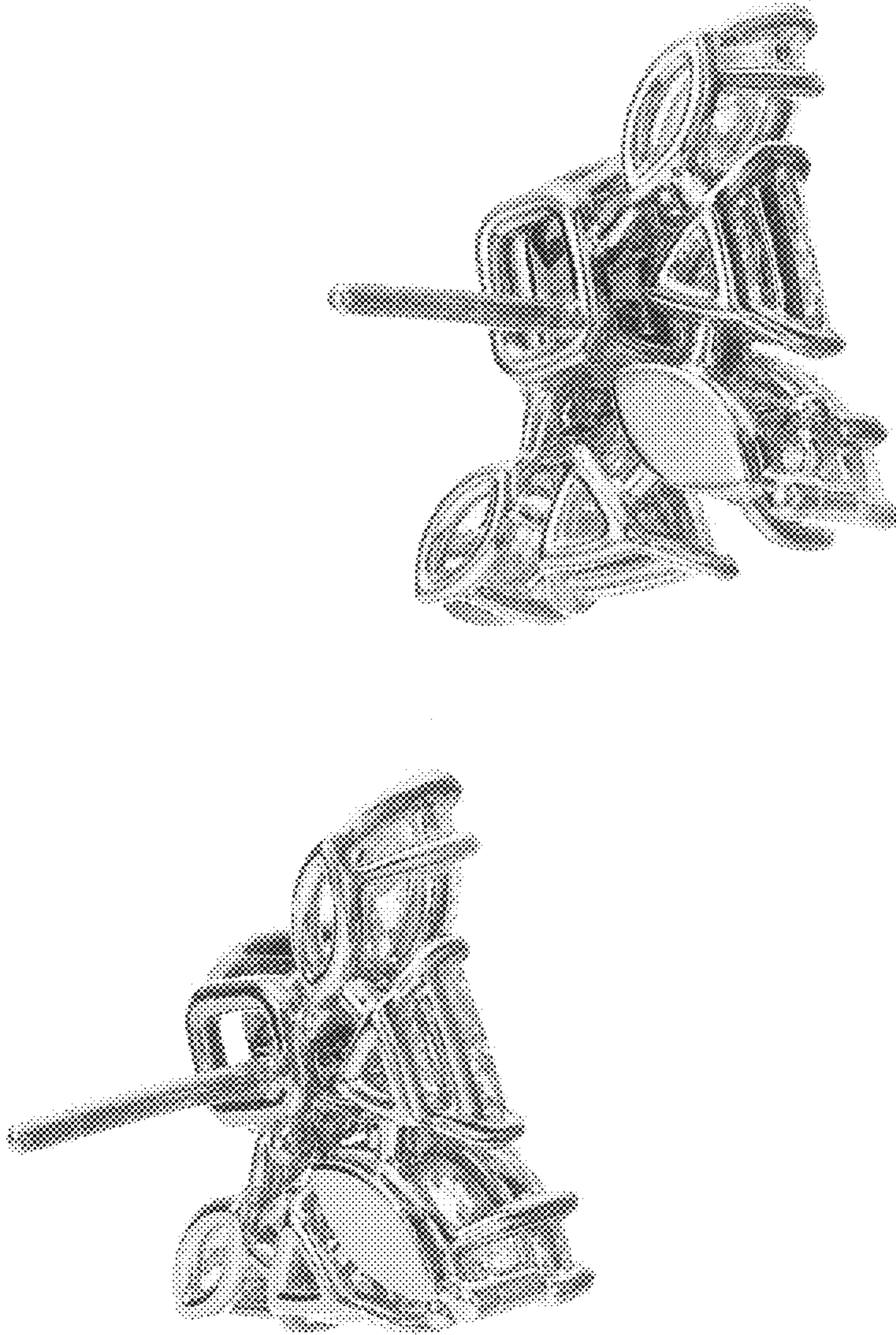


**FIG. 6**



**FIG. 7**





**FIG. 8**