



US00D942296S

(12) **United States Design Patent**
Lehmann et al.

(10) **Patent No.:** **US D942,296 S**

(45) **Date of Patent:** **** Feb. 1, 2022**

(54) **MULTIMEDIA ANTI-TAMPERING DEVICE**

(71) Applicant: **Velocity, A Managed Services Company**, Holland, OH (US)

(72) Inventors: **Brandon Lehmann**, Fremont, OH (US); **Todd Wireman**, Fremont, OH (US)

(73) Assignee: **VELOCITY, A MANAGED SERVICES COMPANY**, Holland, OH (US)

(**) Term: **15 Years**

(21) Appl. No.: **29/735,053**

(22) Filed: **May 18, 2020**

(51) **LOC (13) Cl.** **10-05**

(52) **U.S. Cl.**
USPC **D10/106.9**

(58) **Field of Classification Search**
USPC D10/106.9, 60, 104.1, 104.2, 106.1, D10/106.91-94, 121; D14/230
CPC ... G06K 19/0723; G08B 13/02; B65D 55/028
See application file for complete search history.

(56) **References Cited**

U.S. PATENT DOCUMENTS

D324,514 S *	3/1992	Ishida	D14/358
D344,905 S *	3/1994	Issa	D10/106.1
D345,711 S *	4/1994	Issa	D10/106.1
D347,190 S *	5/1994	Issa	D10/106.1
D348,622 S *	7/1994	Issa	D10/106.1
D350,494 S *	9/1994	Hwang	D10/106.1
D356,517 S *	3/1995	Chui Lak Sang	D10/106.1
D383,689 S *	9/1997	Issa	D10/104.1
D389,763 S *	1/1998	Merritt, III	D10/106.1
D390,830 S *	2/1998	Issa	D10/104.1
D392,944 S *	3/1998	Issa	D10/104.1

D531,172 S *	10/2006	Noro	D14/230
D535,578 S *	1/2007	Sinkfield	D10/104.1
D698,241 S *	1/2014	Fosse	D9/426
D827,573 S *	9/2018	Petty	D13/120
D829,078 S *	9/2018	Orand	D8/333
D877,126 S *	3/2020	DeCastro	D14/230
D901,462 S *	11/2020	Oba	D14/230

FOREIGN PATENT DOCUMENTS

CN 201530456914 * 11/2015 10/5

* cited by examiner

Primary Examiner — George D. Kirschbaum

Assistant Examiner — Lillian Windham

(74) *Attorney, Agent, or Firm* — Michael E. Dockins; Shumaker, Loop & Kendrick, LLP

(57) **CLAIM**

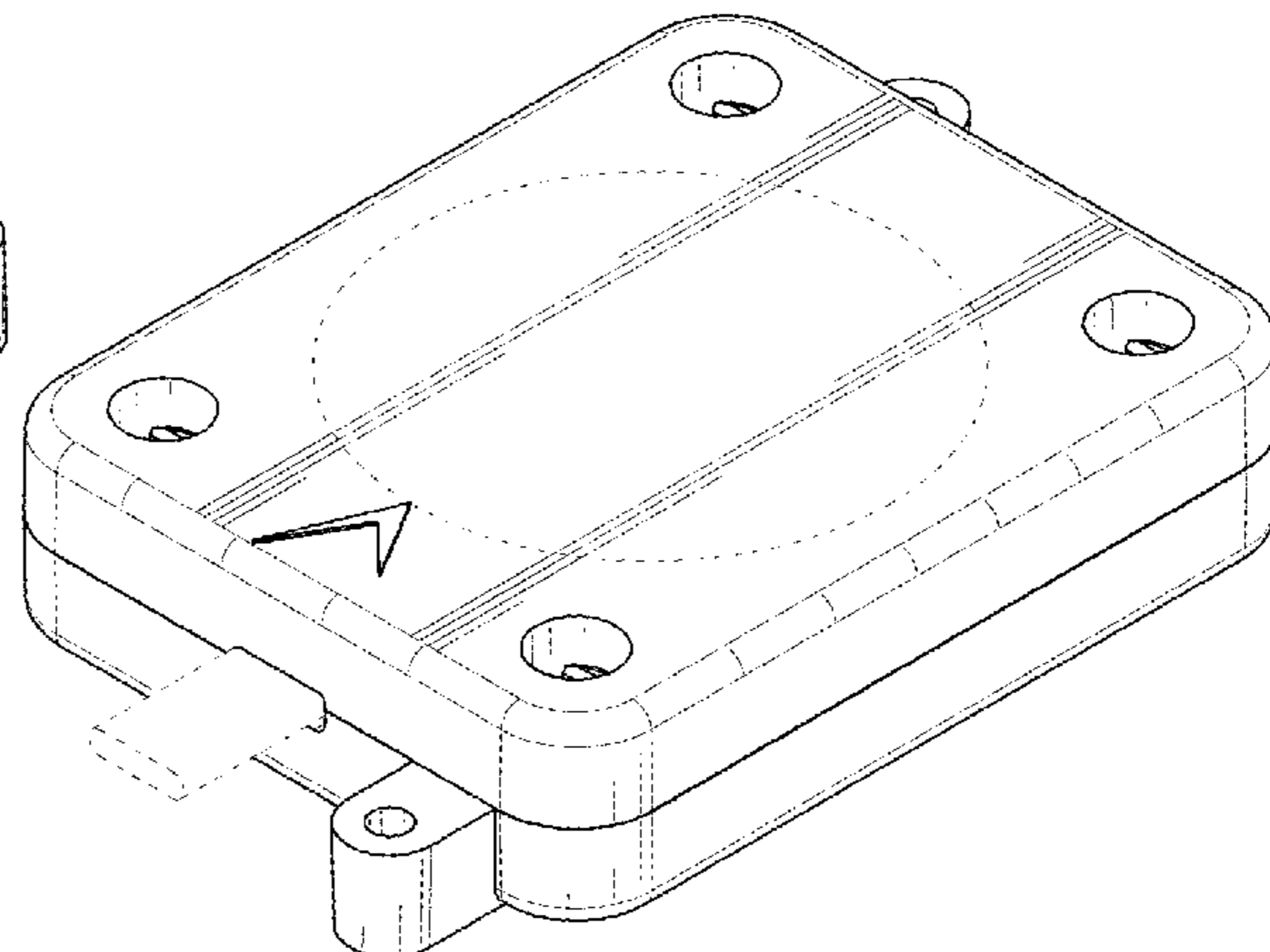
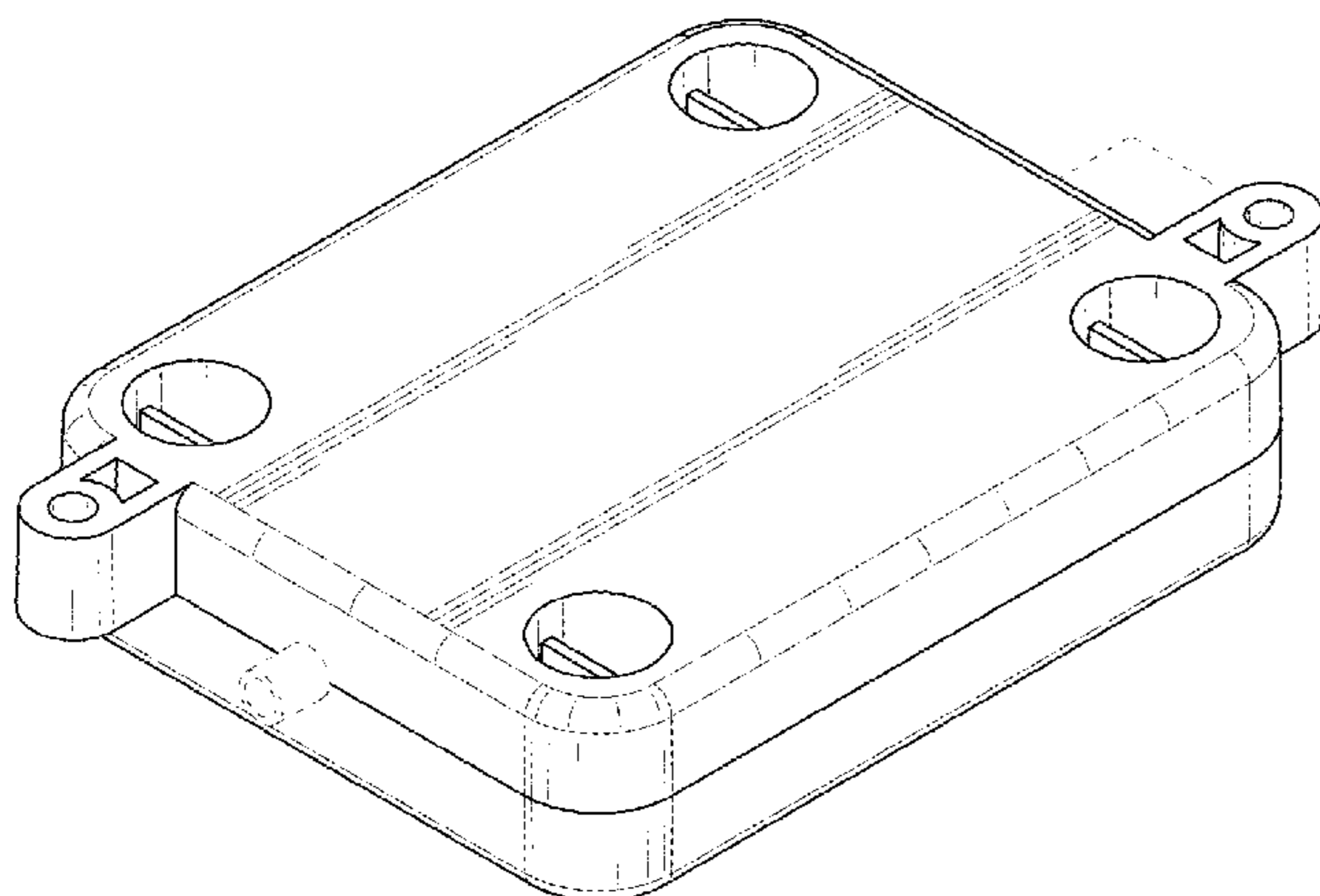
The ornamental design for a multimedia anti-tampering device, as shown and described.

DESCRIPTION

FIG. 1 is a first perspective view of a multimedia anti-tampering device;
FIG. 2 is a second perspective view thereof
FIG. 3 is a bottom plan view thereof;
FIG. 4 is a top plan view thereof;
FIG. 5 is a left side elevational view thereof;
FIG. 6 is a right side elevational view thereof;
FIG. 7 is a rear elevational view thereof; and,
FIG. 8 is a front elevational view thereof.

The ornamental design which is claimed is shown in solid lines in the drawings. The broken line showing is included for the purpose of illustrating portions of the multimedia anti-tampering device and forms no part of the claimed design.

1 Claim, 4 Drawing Sheets



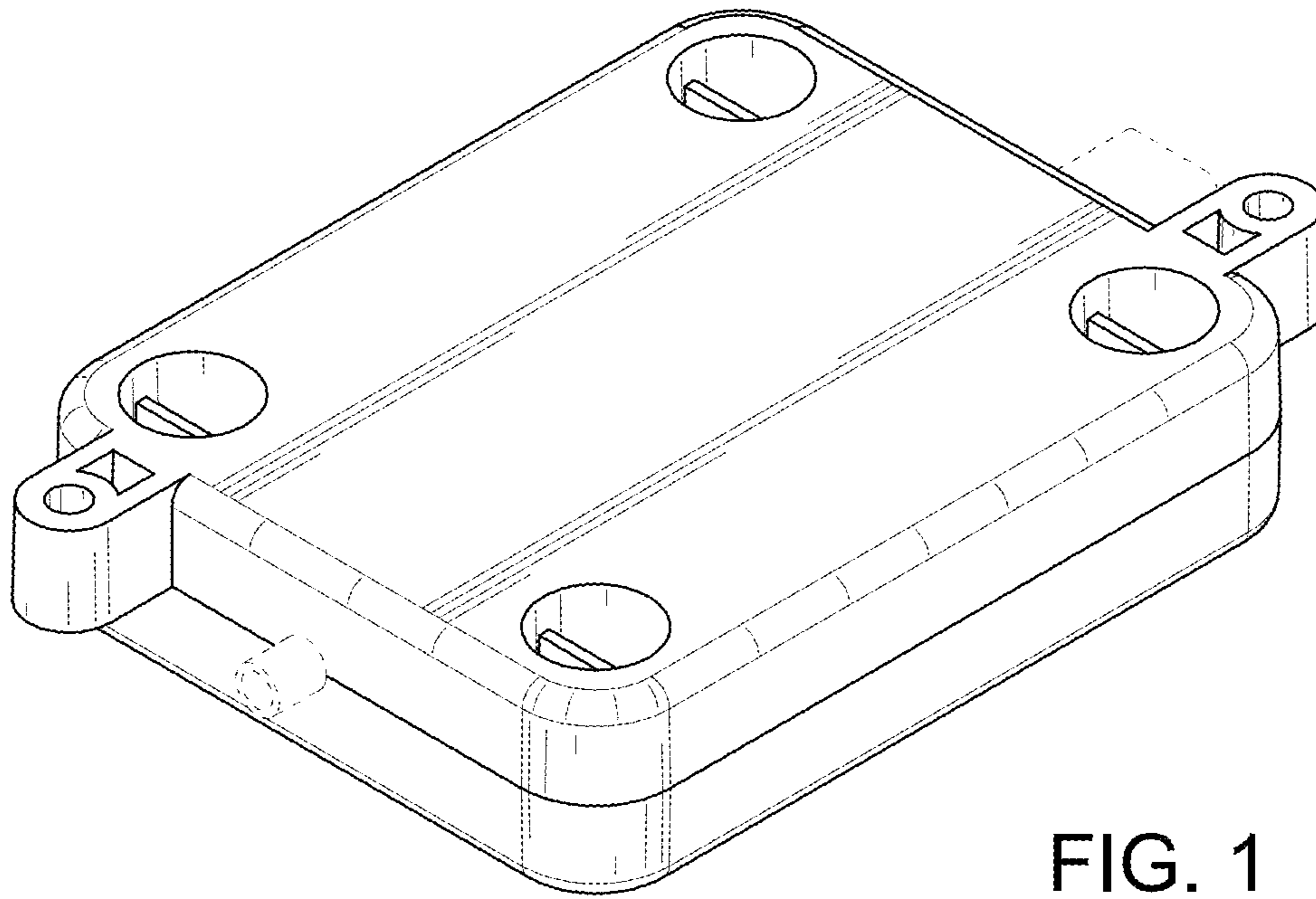


FIG. 1

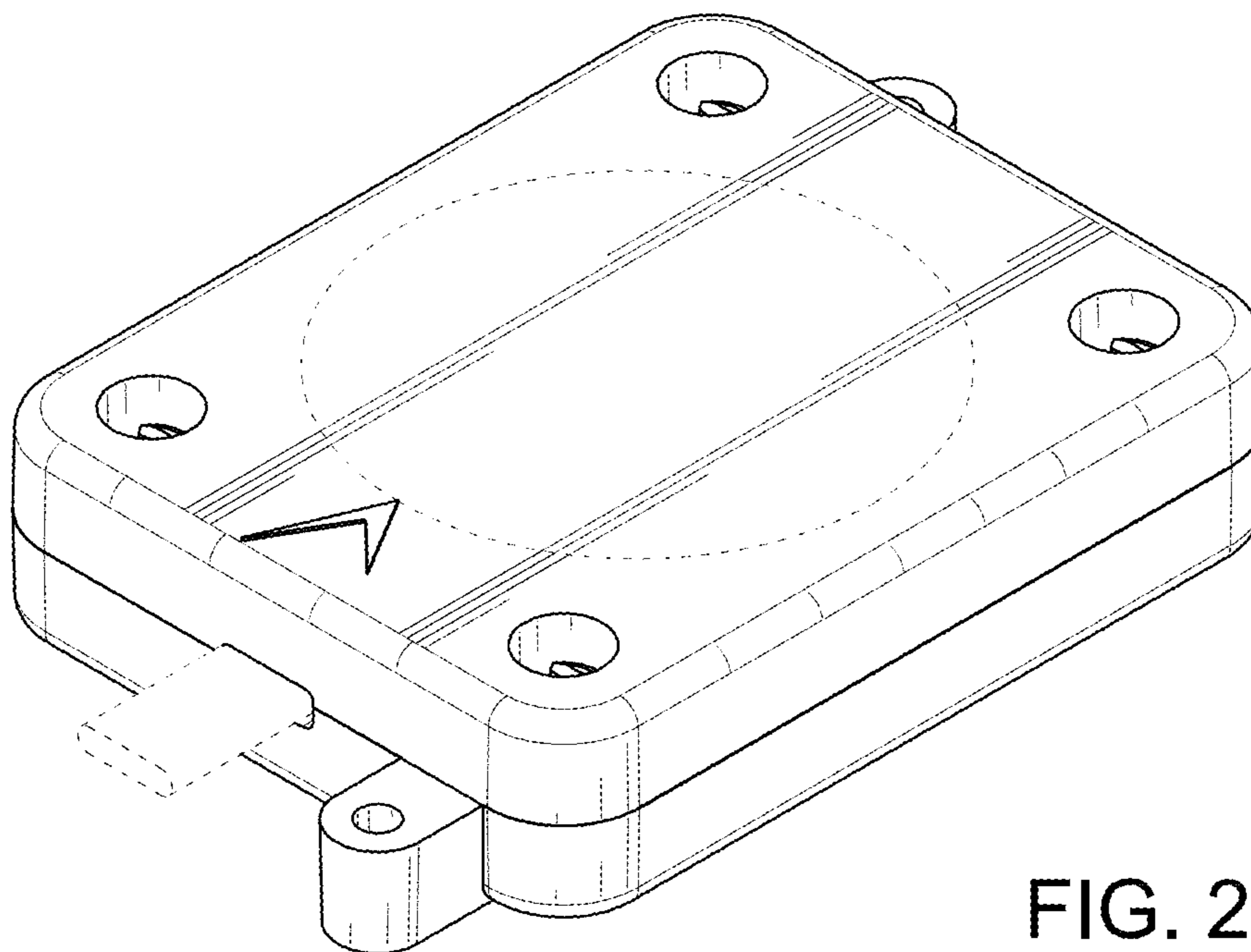


FIG. 2

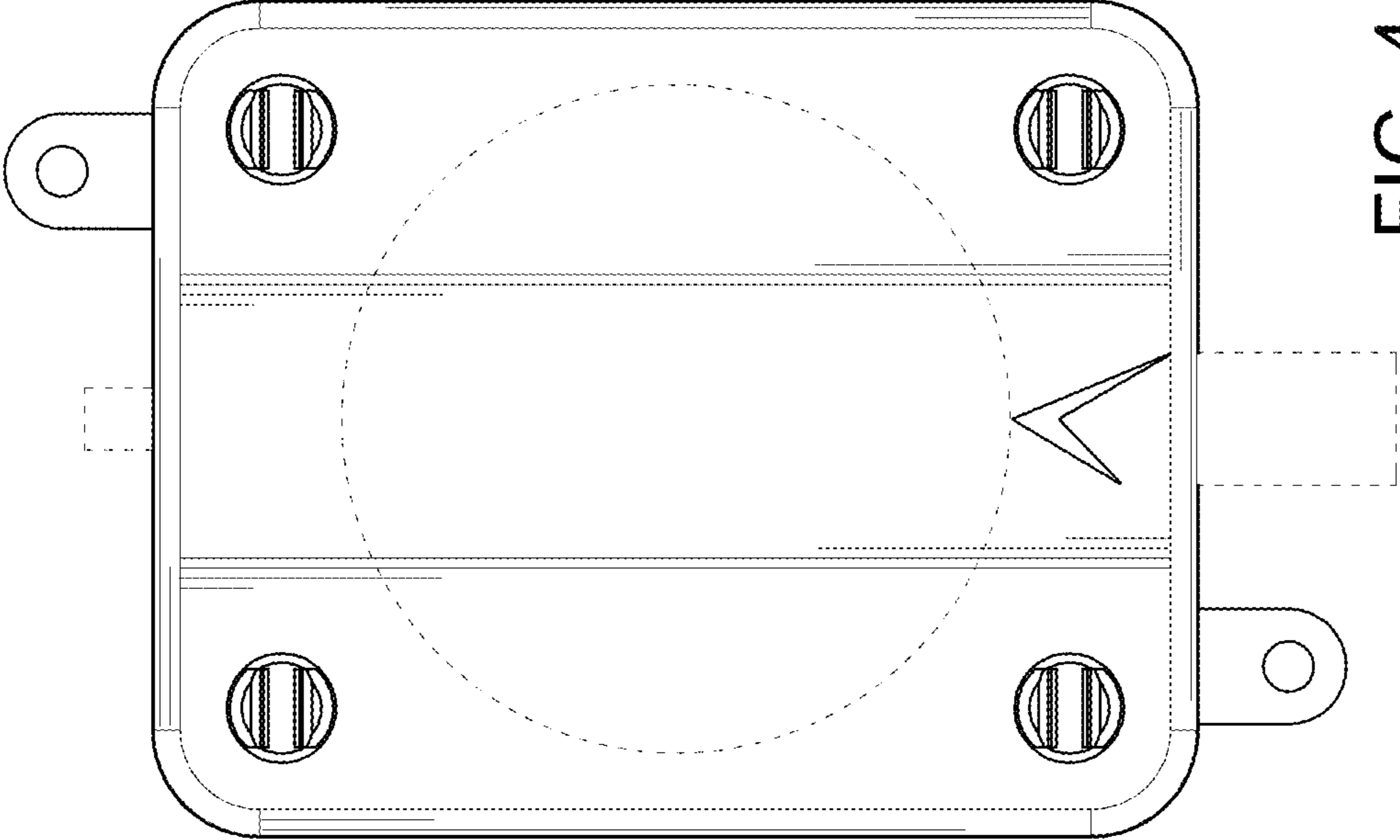


FIG. 3

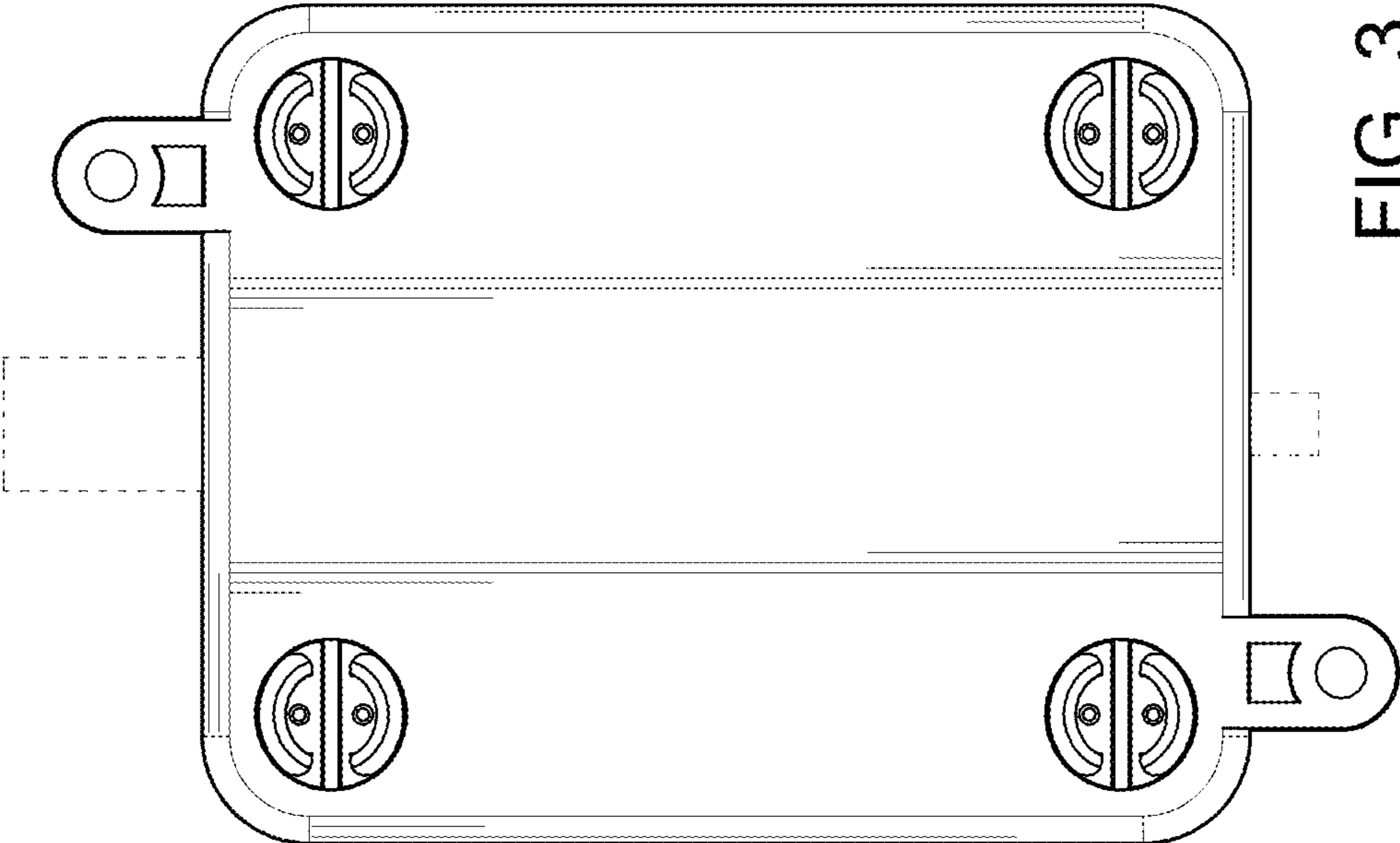


FIG. 4

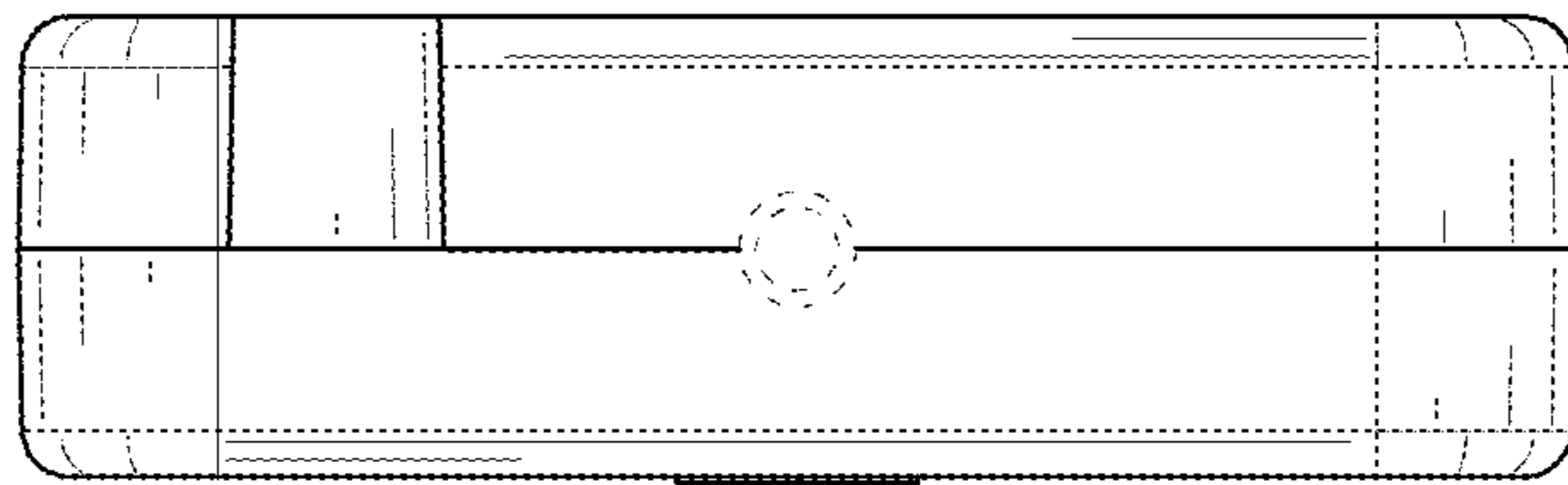


FIG. 5

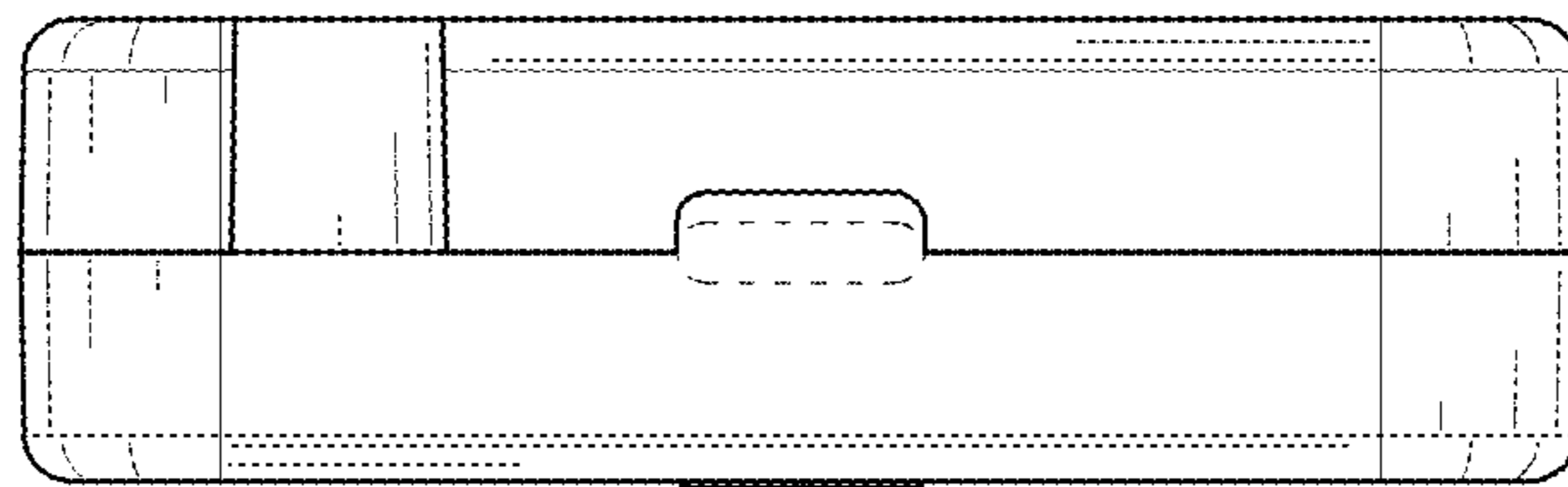


FIG. 6

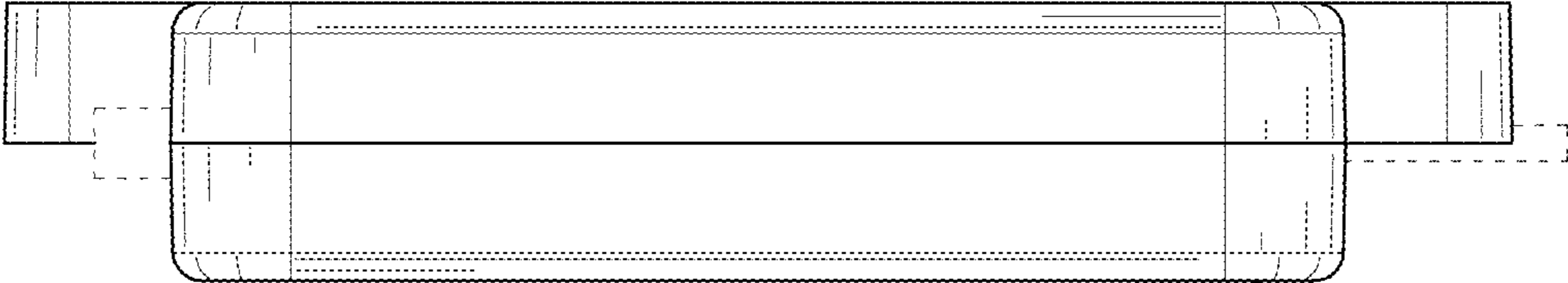


FIG. 7

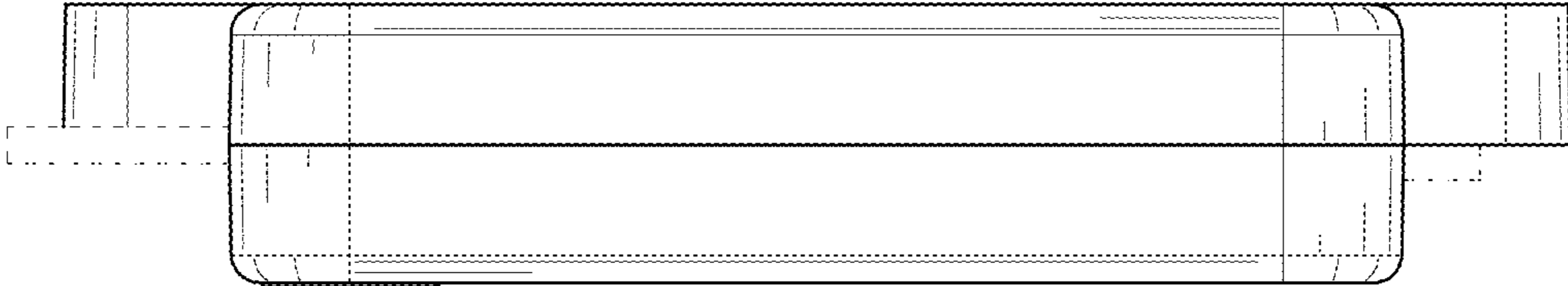


FIG. 8