

US00D942292S

(12) **United States Design Patent**
Meuli

(10) **Patent No.:** **US D942,292 S**
(45) **Date of Patent:** **** Feb. 1, 2022**

(54) **DIFFERENTIAL PRESSURE TRANSMITTER**

- (71) Applicant: **DWYER INSTRUMENTS, INC.**,
Michigan City, IN (US)
- (72) Inventor: **Jeffrey Vern Meuli**, LaPorte, IN (US)
- (73) Assignee: **DWYER INSTRUMENTS, INC.**,
Michigan City, IN (US)

(**) Term: **15 Years**

(21) Appl. No.: **29/737,686**

(22) Filed: **Jun. 11, 2020**

(51) **LOC (13) Cl.** **10-04**

(52) **U.S. Cl.**
USPC **D10/96; D10/97**

(58) **Field of Classification Search**
USPC D10/96-103, 46, 47, 75-79, 80-82, 61,
D10/65, 67, 106.91, 106.9, 106.4
CPC G01L 19/0023; G01L 19/143; G01L
19/0092; G01L 19/086; G01K 13/00;
G01K 1/024; G05D 7/0635; H04L
2012/2841; H04L 12/2827; H04L
2012/285; G01F 23/02; G01F 1/05; G01F
1/22; G01F 1/26; G01F 1/28; G01F
15/06; G01F 23/0015; B60P 3/228; B60P
3/2265; G01P 5/24; G01P 15/00; G01P
1/06

See application file for complete search history.

(56) **References Cited**

U.S. PATENT DOCUMENTS

- D348,017 S * 6/1994 Poleshuk D10/96
- D421,927 S * 3/2000 Binder D10/103
- D560,530 S * 1/2008 Fisher D10/85
- D562,168 S * 2/2008 Johnson D10/96

(Continued)

FOREIGN PATENT DOCUMENTS

- CA 119057 * 1/2007
- CN 300855476 * 12/2008

(Continued)

OTHER PUBLICATIONS

Dwyer, Differential Pressure Transmitter, Date first available Oct. 11, 2012, [online]retrieved Sep. 20, 2021, available from https://www.amazon.com/Dwyer-Differential-Pressure-Transmitter-Background/dp/B009PAM7ES/ref=sr_1_5?dchild=1&keywords=DIFFERENTIAL+PRESSURE+TRANSMITTER&qid=1632154835&s=industrial (Year: 2012).*

(Continued)

Primary Examiner — Keli L Hill

Assistant Examiner — Sara S Sahneh

(74) *Attorney, Agent, or Firm* — Tarolli, Sundheim,
Covell & Tummino LLP

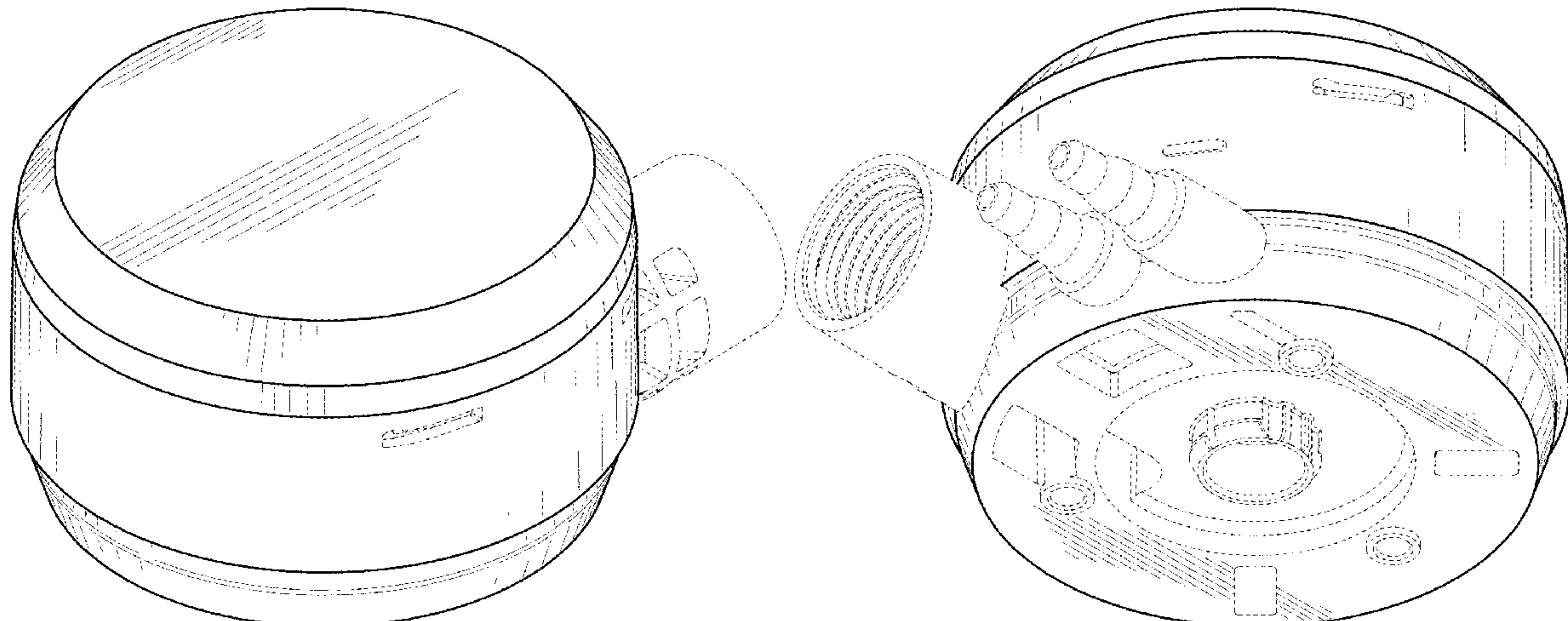
(57) **CLAIM**

The ornamental design for a differential pressure transmitter, as shown and described.

DESCRIPTION

FIG. 1 is a top perspective view of a differential pressure transmitter illustrating our new design.
FIG. 2 is a bottom perspective view of a differential pressure transmitter illustrating our new design.
FIG. 3 is a rear view of a differential pressure transmitter illustrating our new design.
FIG. 4 is a front view of a differential pressure transmitter illustrating our new design.
FIG. 5 is a right side view of a differential pressure transmitter illustrating our new design.
FIG. 6 is a left side view of a differential pressure transmitter illustrating our new design.
FIG. 7 is a top view of a differential pressure transmitter illustrating our new design; and,
FIG. 8 is a bottom view of a differential pressure transmitter illustrating our new design.
The broken lines shown are included for the purpose of illustrating portions of the differential pressure transmitter that form no part of the claimed design.

1 Claim, 4 Drawing Sheets



(56)

References Cited

U.S. PATENT DOCUMENTS

7,412,882 B2 * 8/2008 Lazar G01F 15/063
 73/273
 D582,814 S * 12/2008 Ball D10/96
 D711,267 S * 8/2014 Tsuda D10/96
 D906,144 S * 12/2020 Angus D10/96
 2011/0079303 A1 * 4/2011 Varini B67D 7/78
 137/544
 2012/0090406 A1 * 4/2012 Etter G01F 15/006
 73/861.79
 2014/0260668 A1 * 9/2014 Liu G01F 1/662
 73/861.28
 2015/0276454 A1 * 10/2015 Laursen G01D 11/24
 73/201
 2020/0386590 A1 * 12/2020 Stuyvenberg G01F 15/00

FOREIGN PATENT DOCUMENTS

CN 302349734 * 10/2012
 CN 305955389 * 3/2020

CN 306167456 * 6/2020
 CN 306653923 * 12/2020
 KR 301122644.0000 * 10/2020

OTHER PUBLICATIONS

Dwyer, Digital Pressure Gage, Date first available Oct. 11, 2012, [online]retrieved Sep. 16, 2021, available from https://www.amazon.com/Dwyer-Digital-Pressure-Liquids-Compatible/dp/B009P8YJQ4/ref=sr_1_33?dchild=1&keywords=Dwyer&qid=1631823924&sr=8-33 (Year: 2012).*

Dwyer, Magnehelic Differential Pressure Gage, Date first available Oct. 11, 2012, [online]retrieved Sep. 16, 2021, available from https://www.amazon.com/Dwyer-Magnehelic-Differential-Pressure-Gauge/dp/B009P9EF62/ref=pd_sbs_6/134-5564337-2927451?pd_rd_w=ch5Tq&pf_rd_p=0a3ad226-8a77-4898-9a99-63ffeb1aef90&p (Year: 2012).*

Dwyer, Series DH3 Digihelic® Differential Pressure Controller, Date first available Dec. 2018, [online]retrieved Sep. 20, 2021, available from dwyer-inst.com (Year: 2018).*

* cited by examiner

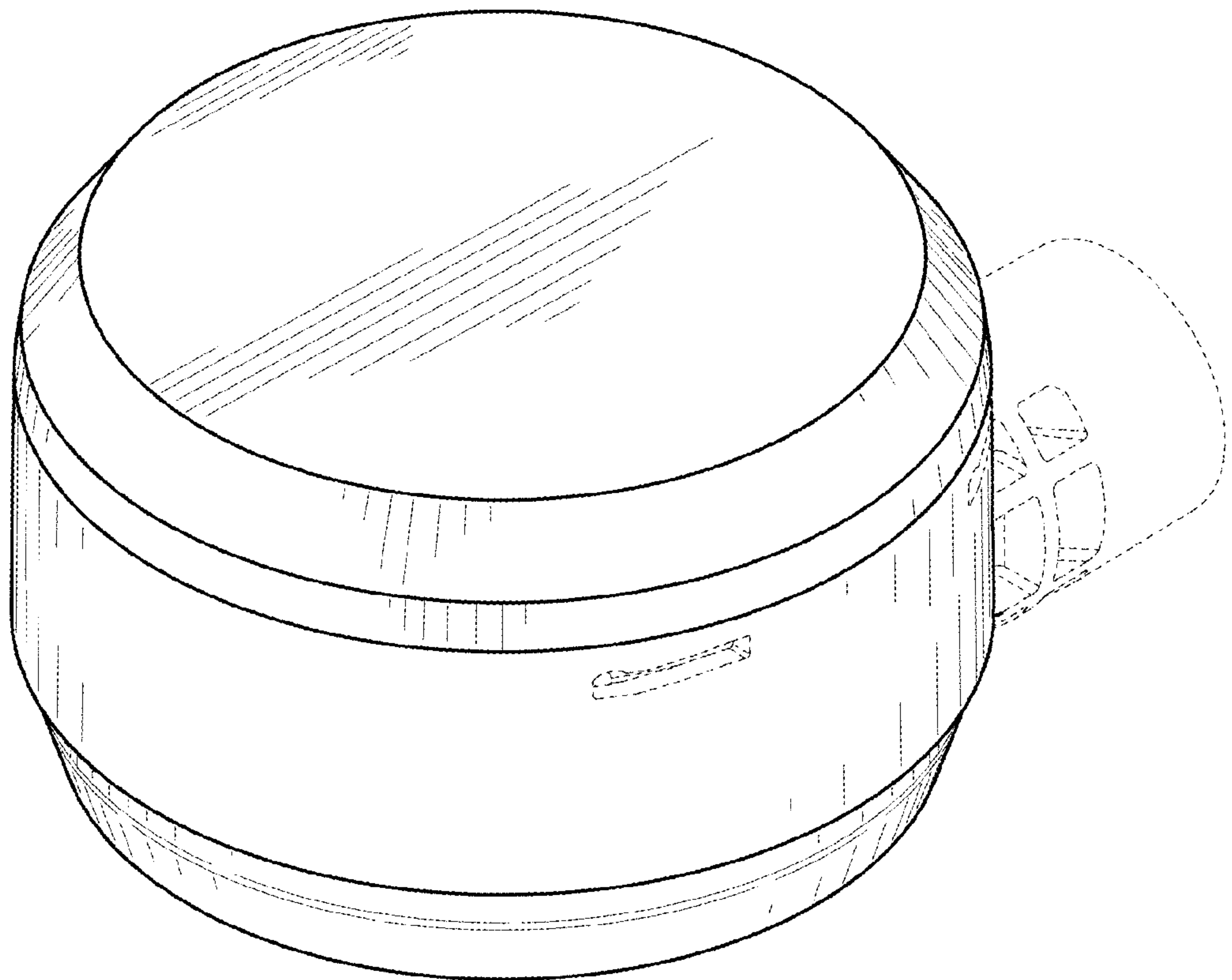


Fig. 1

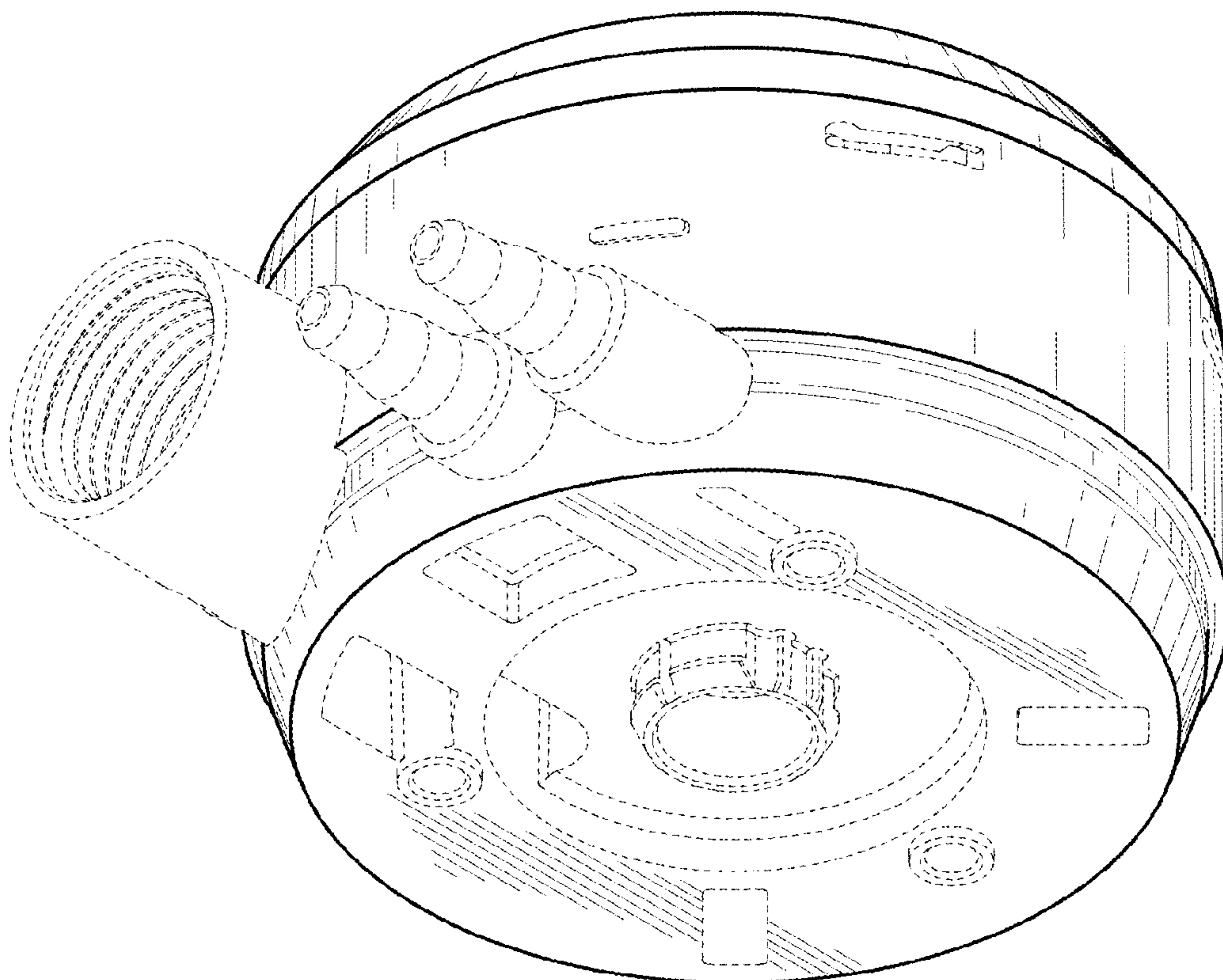


Fig. 2

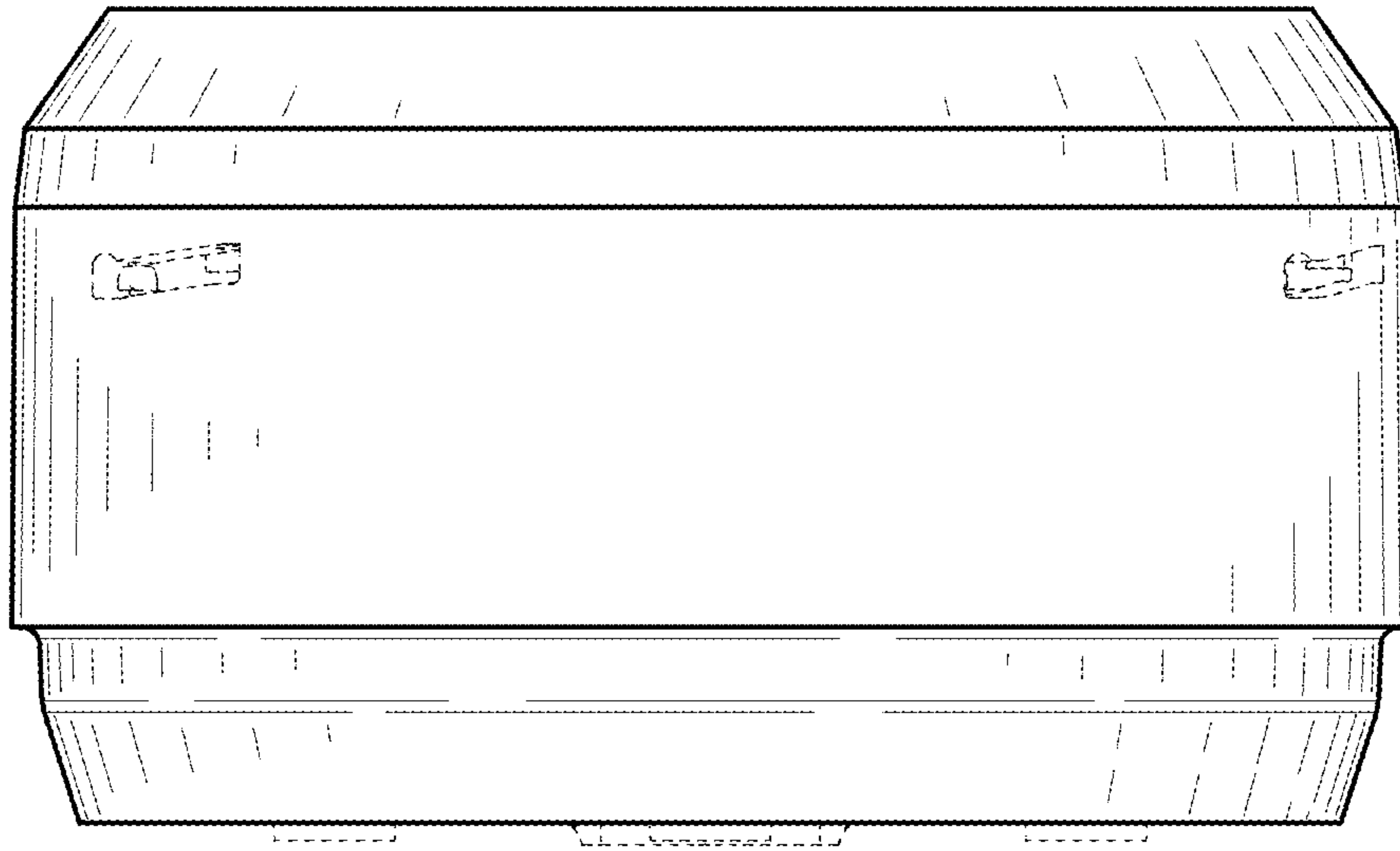


Fig. 3

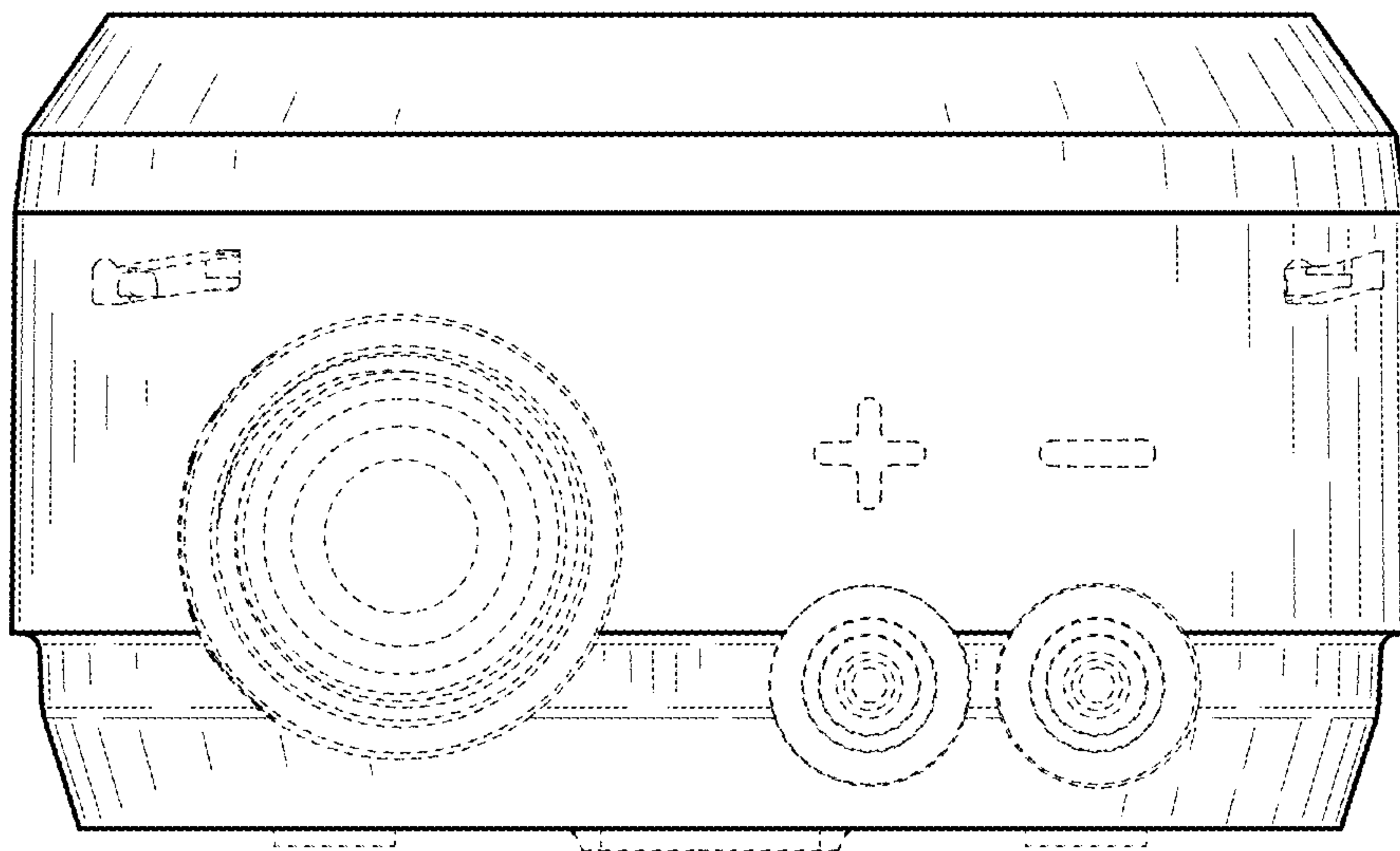


Fig. 4

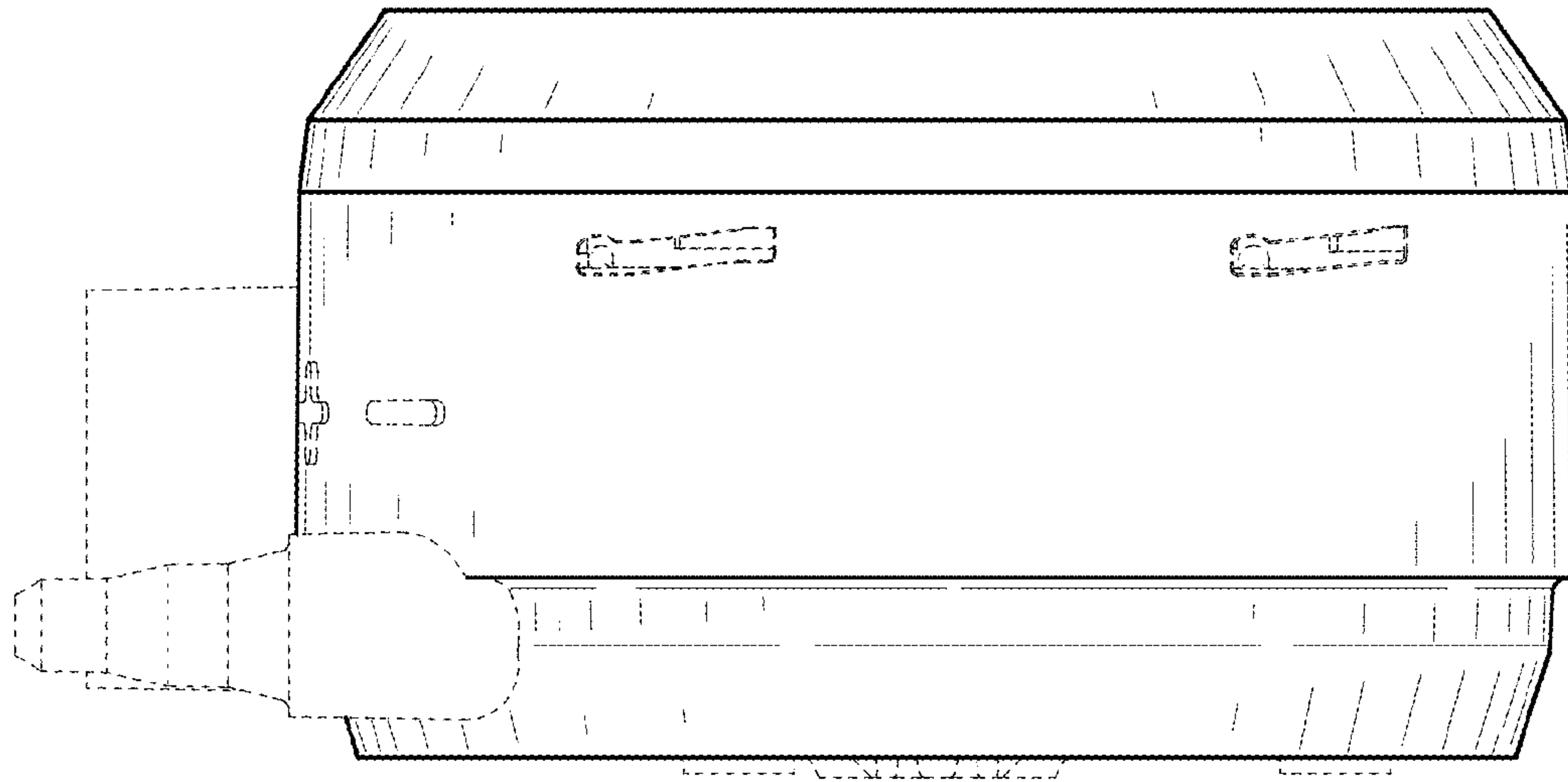


Fig. 5

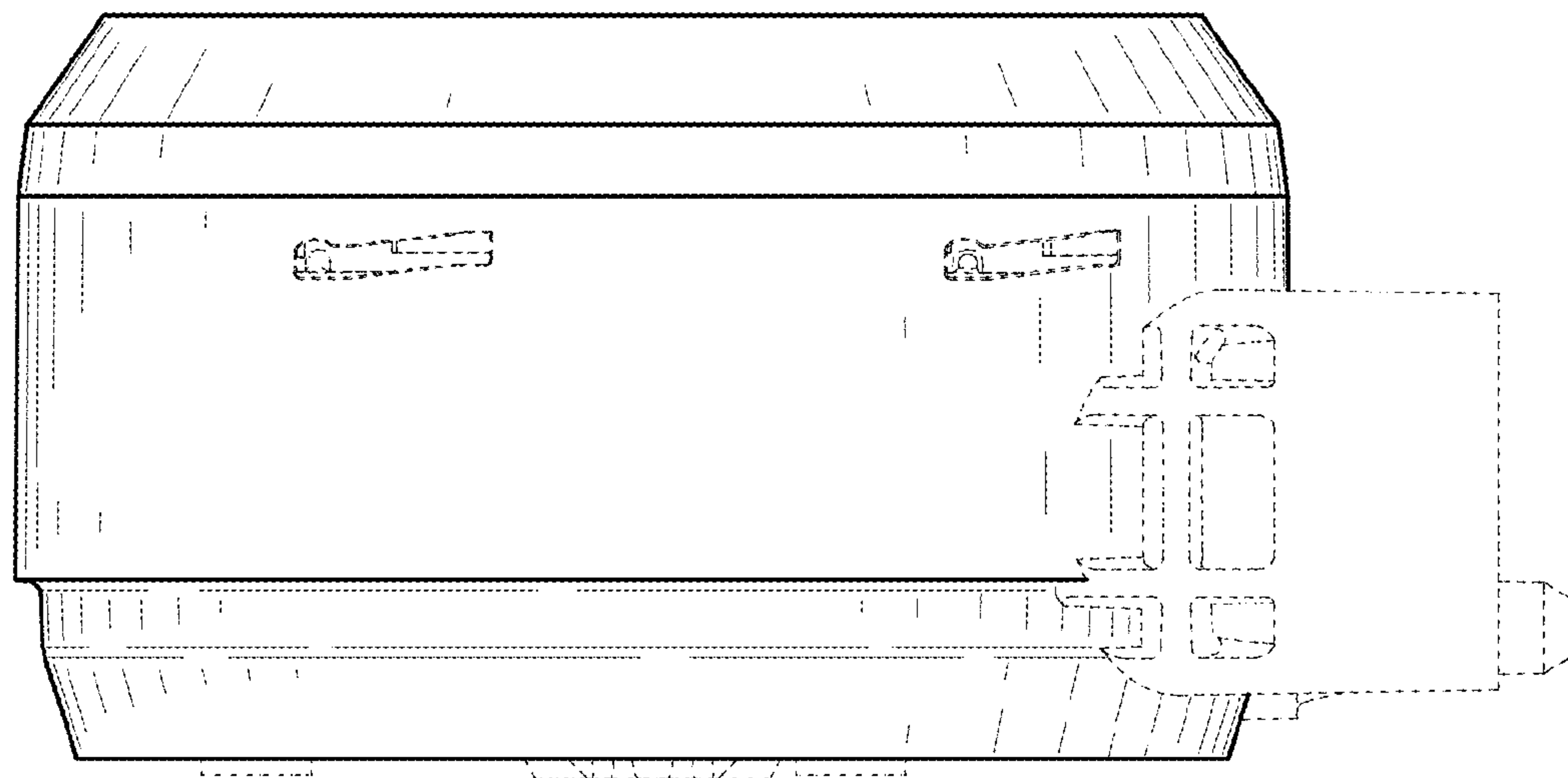


Fig. 6

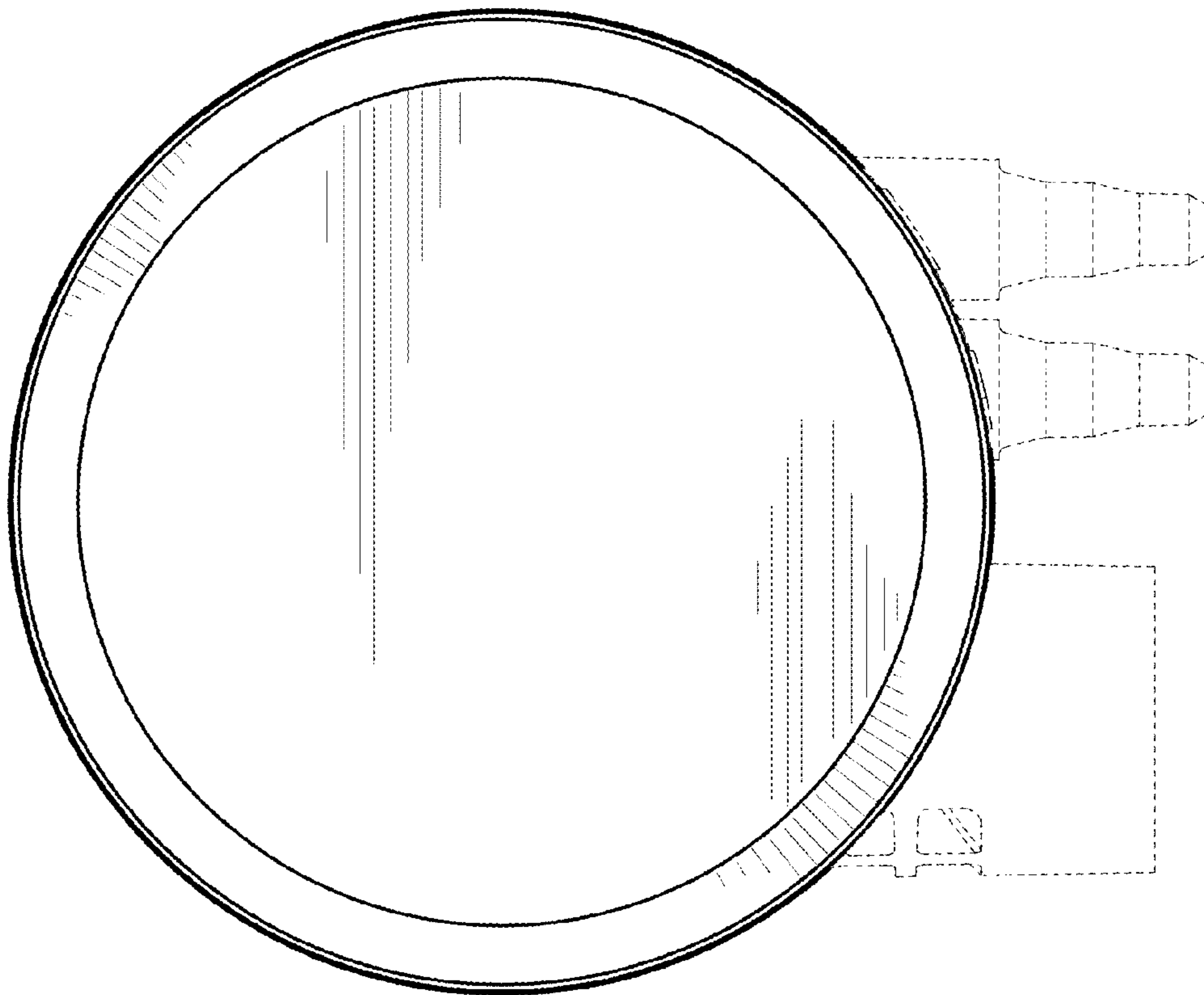


Fig. 7

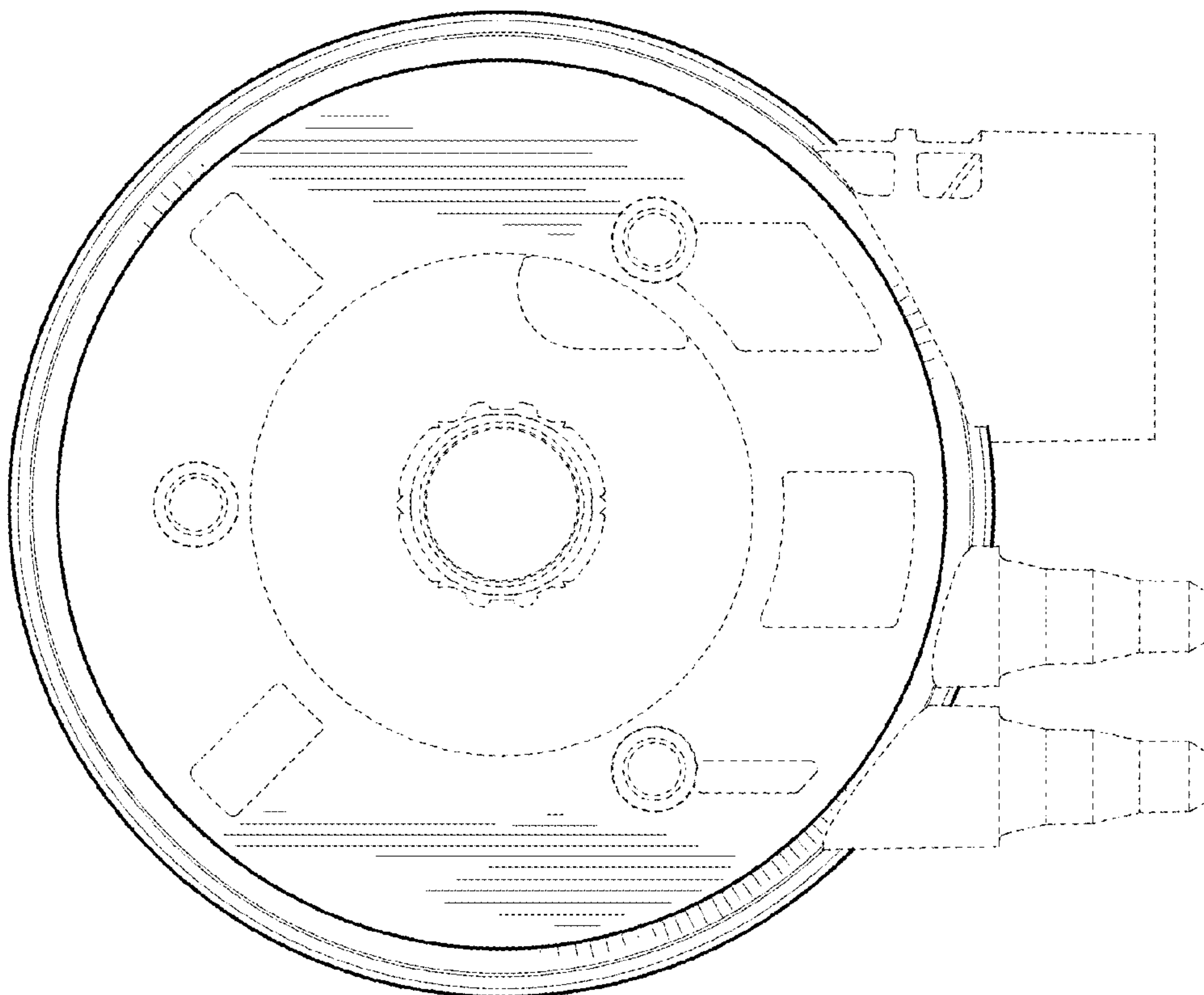


Fig. 8