

US00D942291S

(12) **United States Design Patent**
Qiu

(10) **Patent No.:** **US D942,291 S**

(45) **Date of Patent:** **** Feb. 1, 2022**

(54) **ELECTRONIC BALANCE**

(71) Applicant: **Yilian Qiu**, Guangdong (CN)

(72) Inventor: **Yilian Qiu**, Guangdong (CN)

(**) Term: **15 Years**

(21) Appl. No.: **29/707,665**

(22) Filed: **Sep. 30, 2019**

(51) **LOC (13) Cl.** **10-04**

(52) **U.S. Cl.**
USPC **D10/91**

(58) **Field of Classification Search**
USPC D10/90, 91

CPC G01G 19/40; G01G 19/41; G01G 19/413;
G01G 19/414; G01G 19/4144; G01G
19/42; G01G 23/3728; G01G 23/3735;
G01G 20/208; G01G 21/28; G01G
21/283; G01G 21/286; G01G 21/30;
G01G 1/18; G01G 1/185; G01G 1/20;
G01G 1/22; G01G 1/24; G01G 1/243;
G01G 1/246; G01G 1/26; G01G 1/28;
G01G 1/29; G01G 1/30; G01G 1/32;
G01G 1/34; G01G 1/36; G01G 1/38;
G01G 1/40; G01G 1/42; G06Q 20/208

See application file for complete search history.

(56) **References Cited**

U.S. PATENT DOCUMENTS

D523,365 S * 6/2006 Kajimoto D10/91
D578,420 S * 10/2008 Kesselman D10/91

D578,421 S * 10/2008 Kesselman D10/91
D586,679 S * 2/2009 Kurata D10/91
D588,032 S * 3/2009 Kesselman D10/91
D596,518 S * 7/2009 Kesselman D10/91
D679,208 S * 4/2013 Depauw D10/91
D702,144 S * 4/2014 Kobayakawa G01G 21/28
D10/91
9,903,752 B2 * 2/2018 Pan G01G 21/28
D848,885 S * 5/2019 Xie D10/91

* cited by examiner

Primary Examiner — Antoine Duval Davis

(57) **CLAIM**

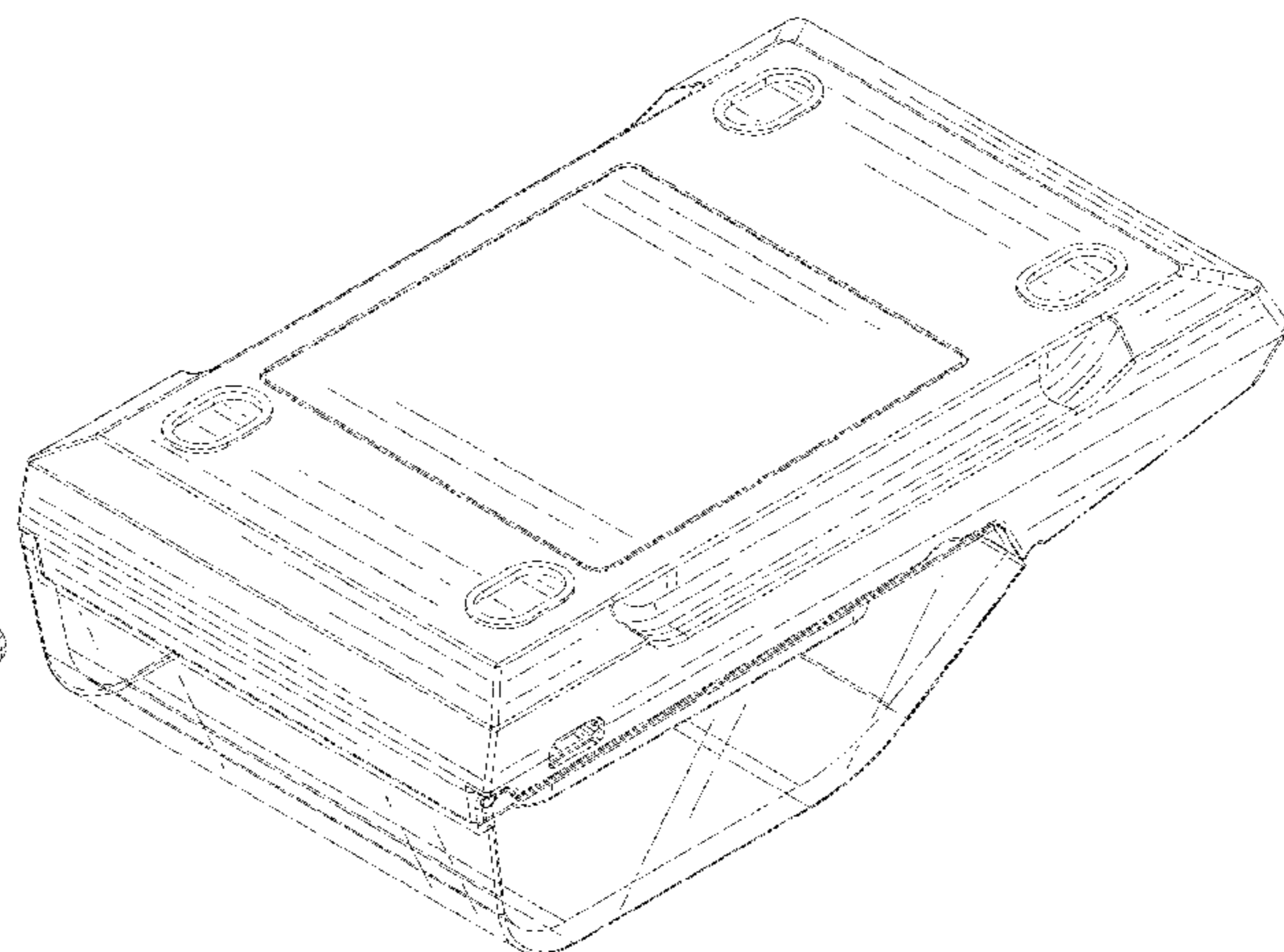
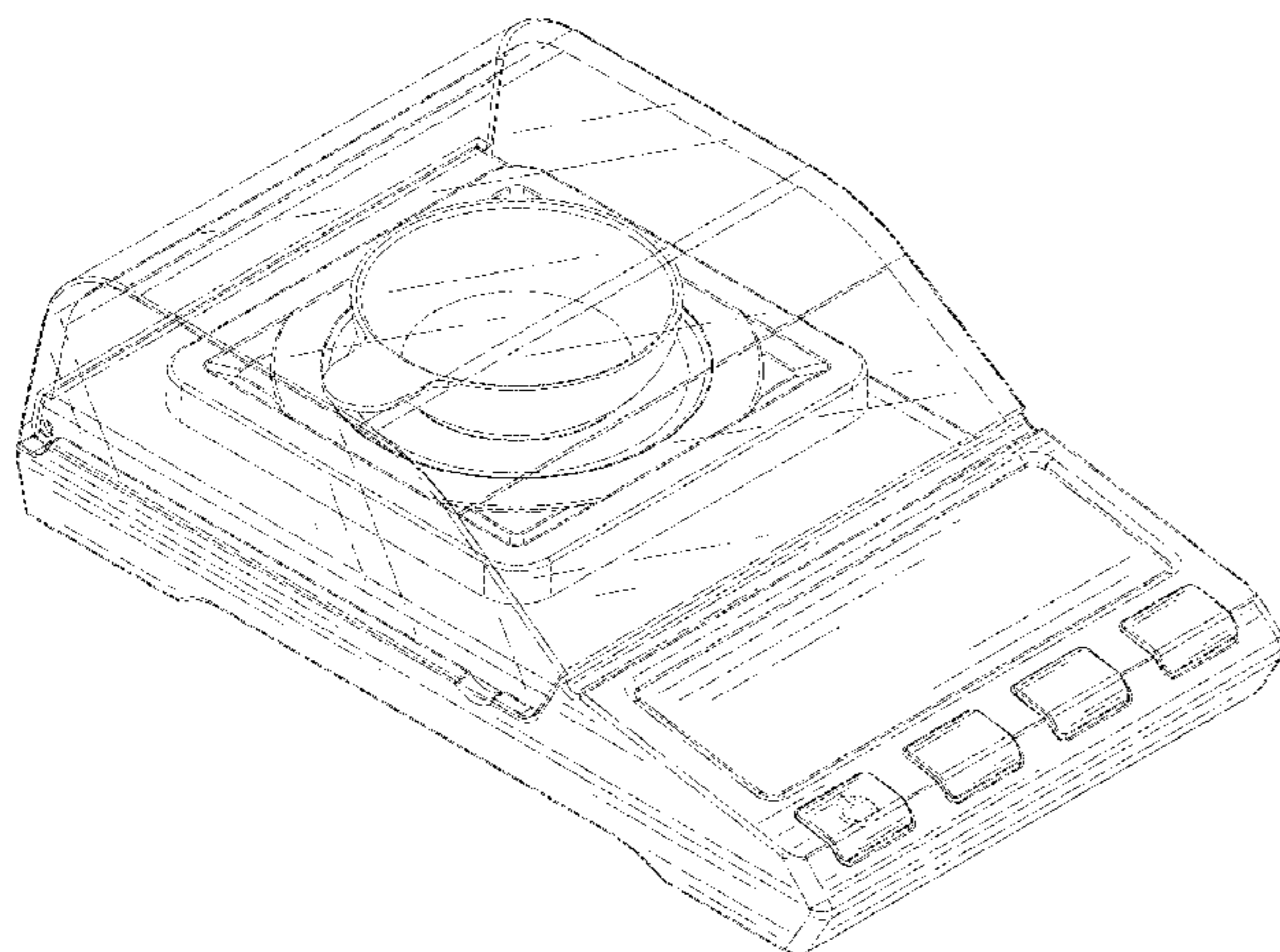
The ornamental design for an electronic balance, as shown and described.

DESCRIPTION

FIG. 1 is a perspective view of the top, front and left side of an electronic balance showing my new design;
FIG. 2 is another perspective view of the bottom, back and right side thereof;
FIG. 3 is a perspective view similar to FIG. 1 with a cover opened;
FIG. 4 is a front elevation view thereof;
FIG. 5 is a back elevation view thereof;
FIG. 6 is a left side view thereof;
FIG. 7 is a right side view thereof;
FIG. 8 is a top plan view thereof; and,
FIG. 9 is a bottom plan view thereof.

The broken lines in the drawing depict environmental subject matter only and form no part of the claimed design.

1 Claim, 9 Drawing Sheets



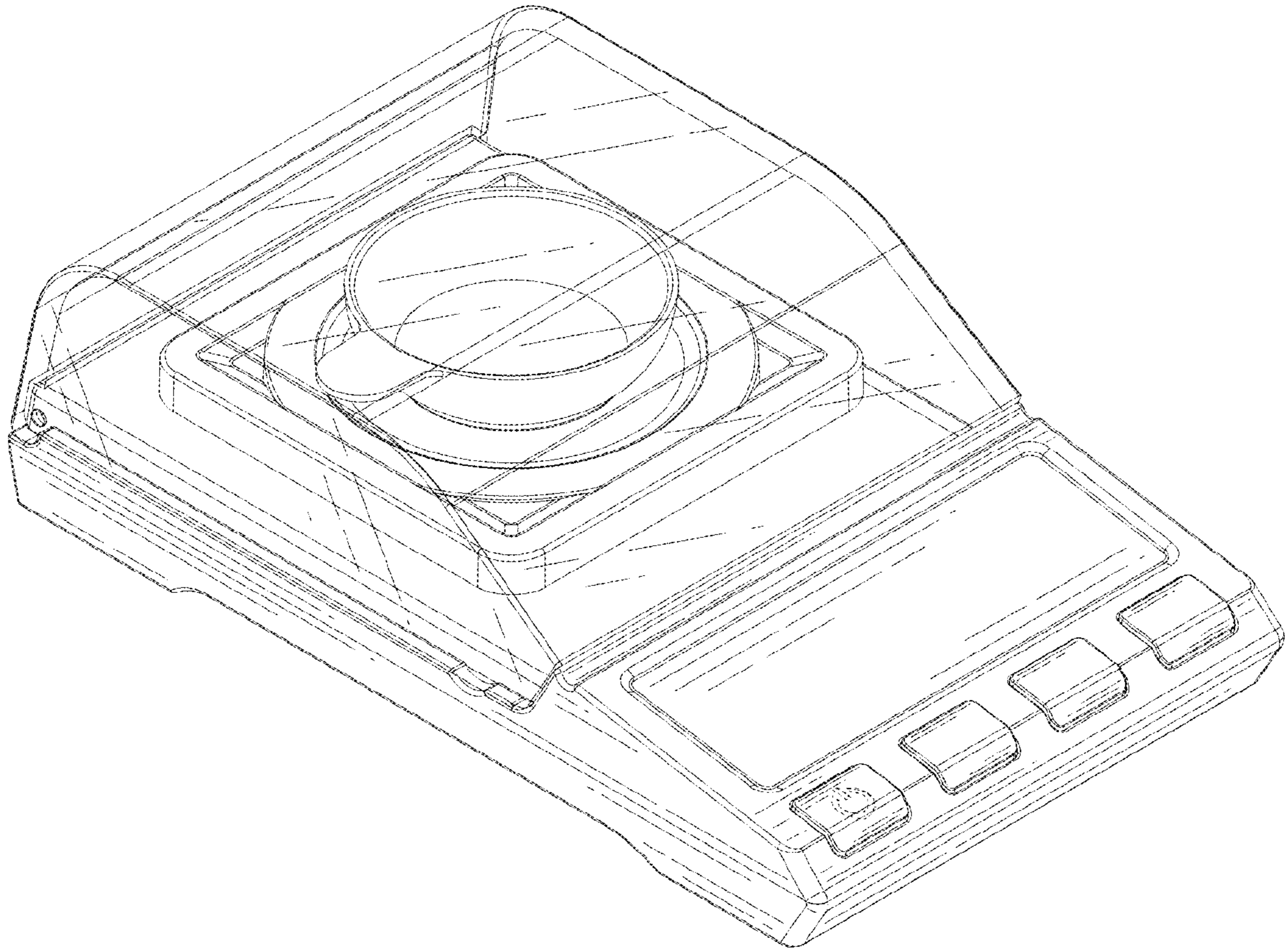


FIG. 1

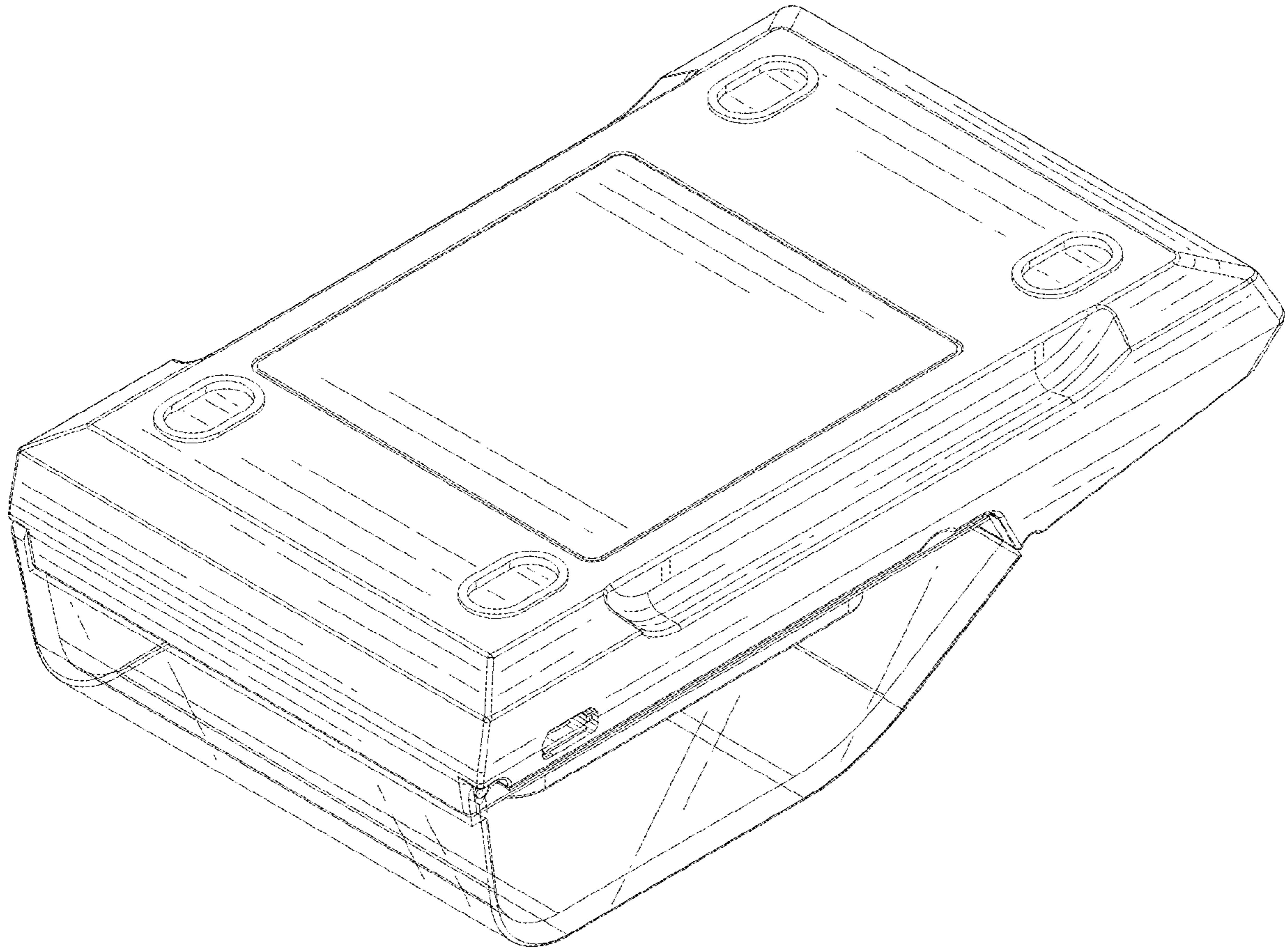


FIG. 2

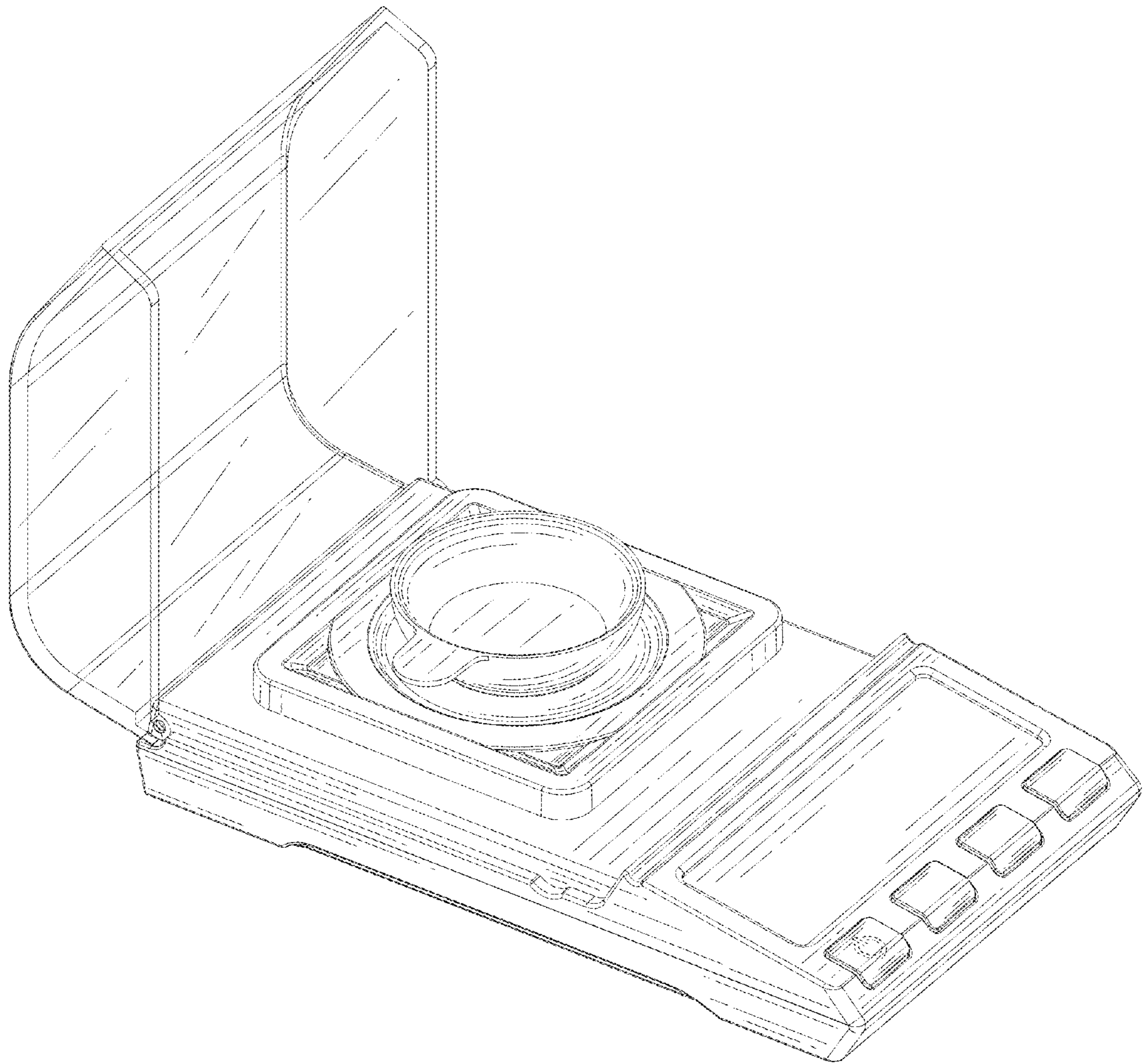


FIG. 3

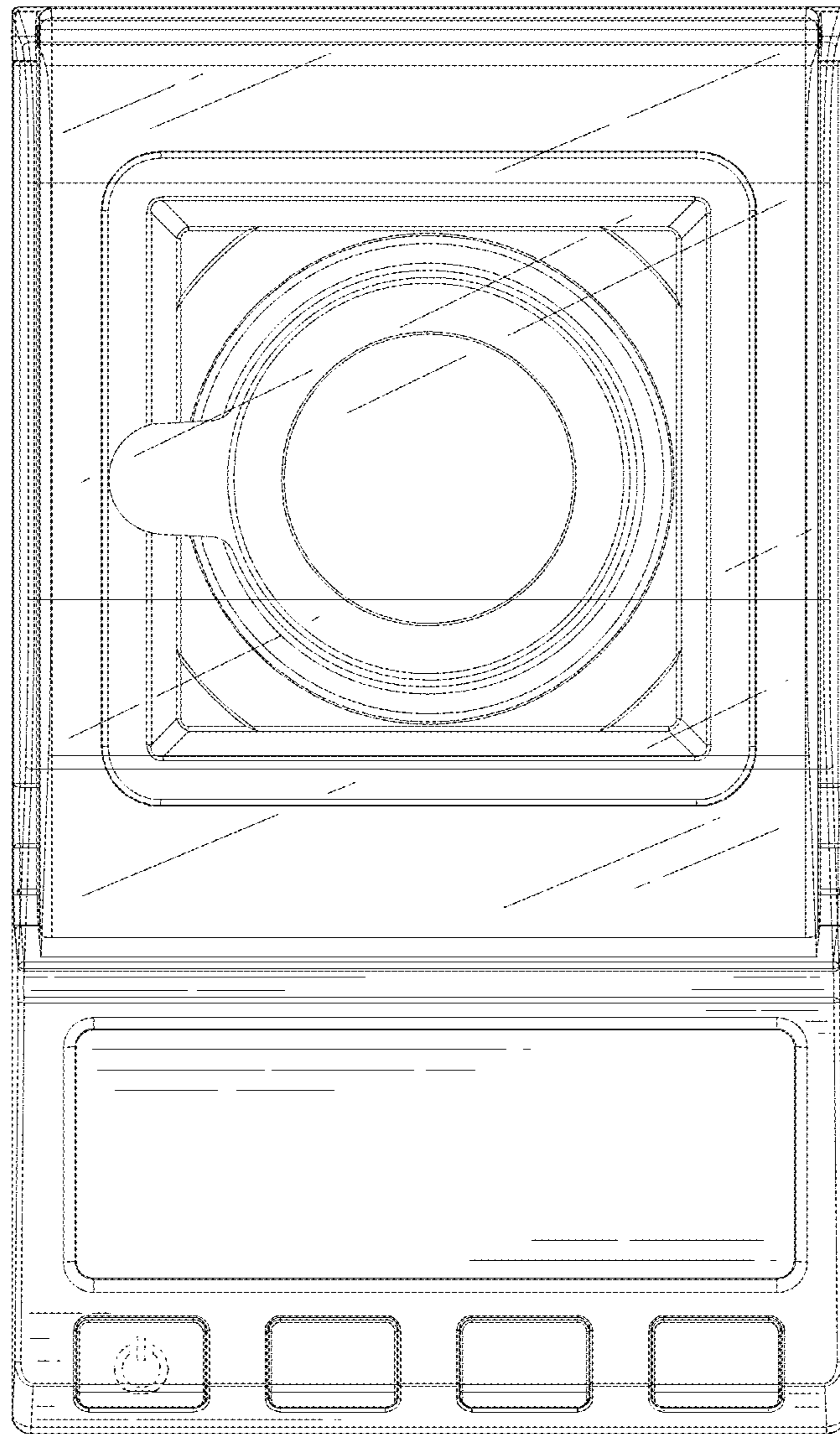


FIG. 4

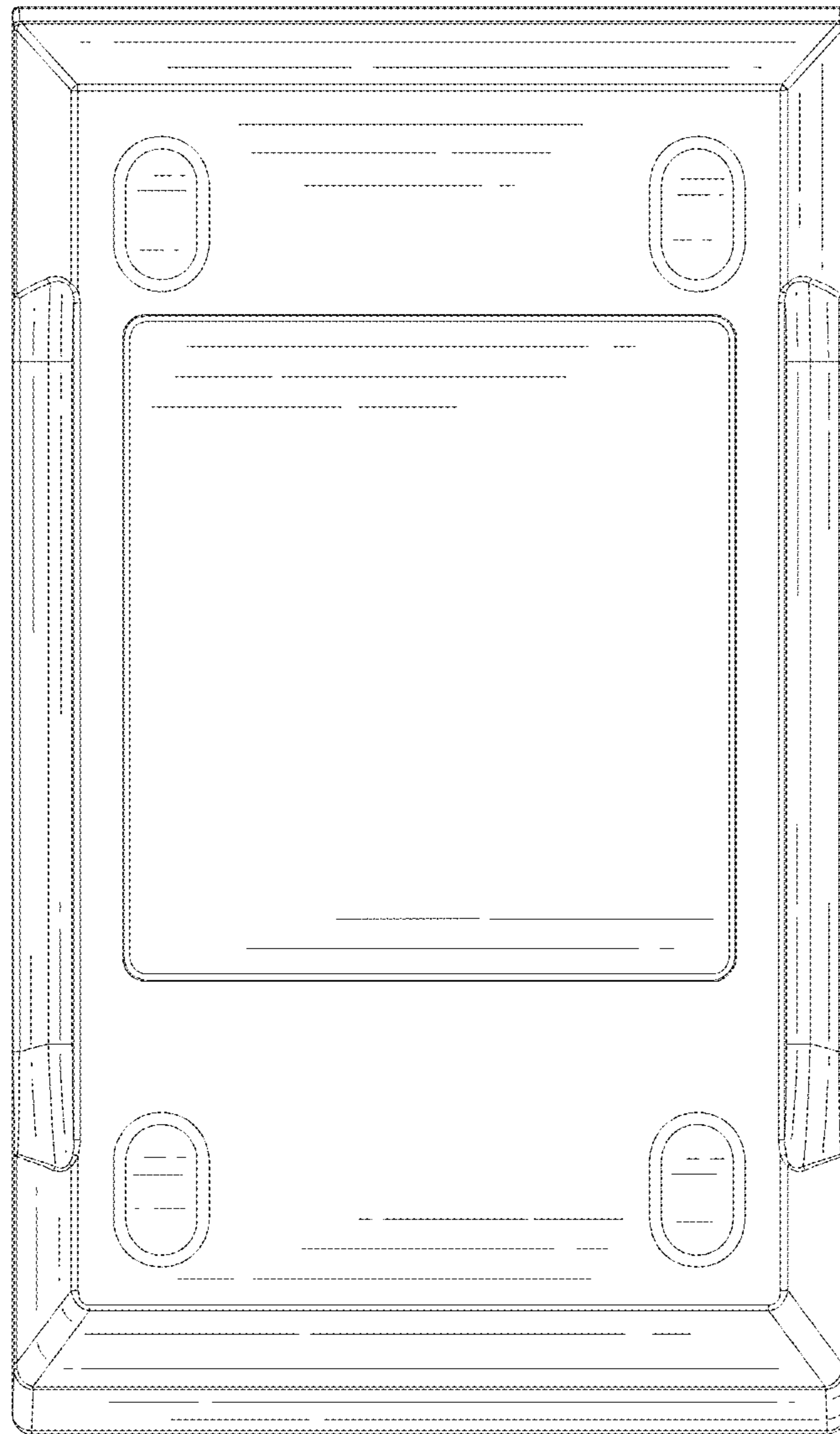


FIG. 5

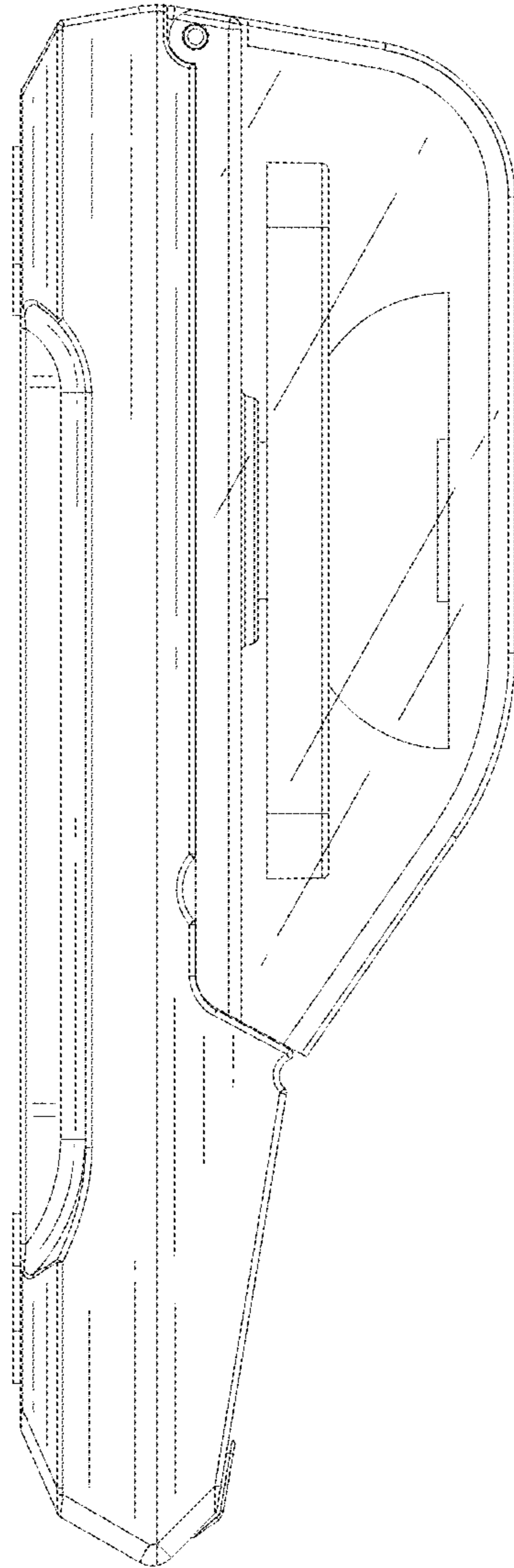


FIG. 6

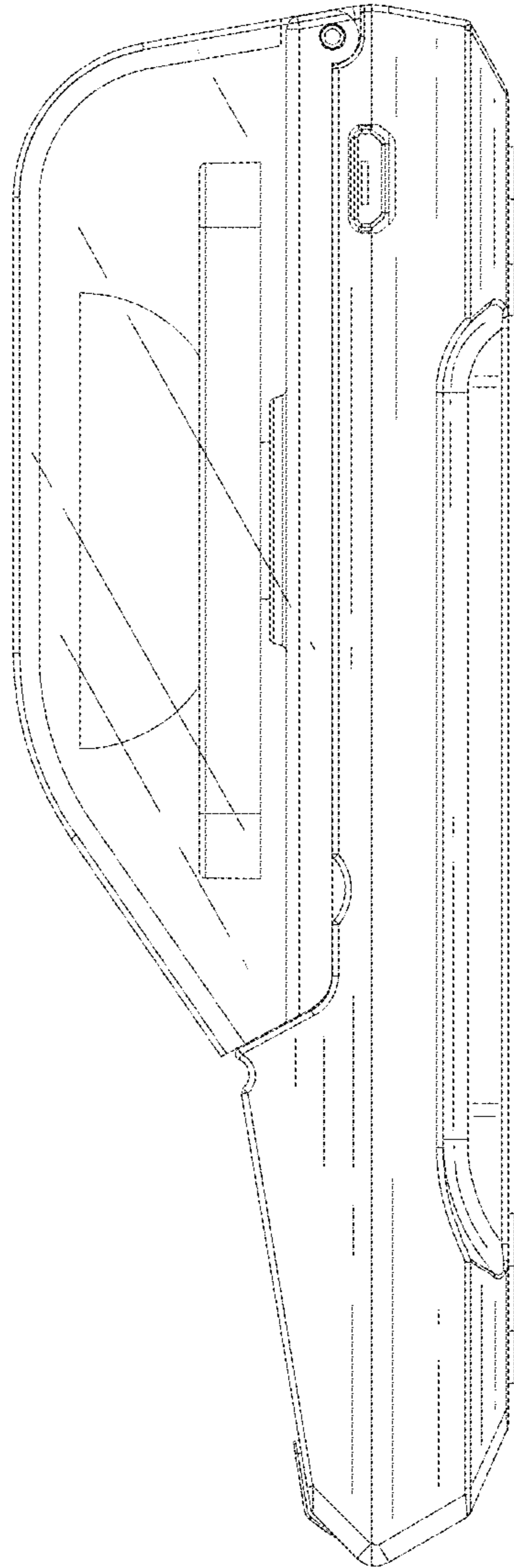


FIG. 7

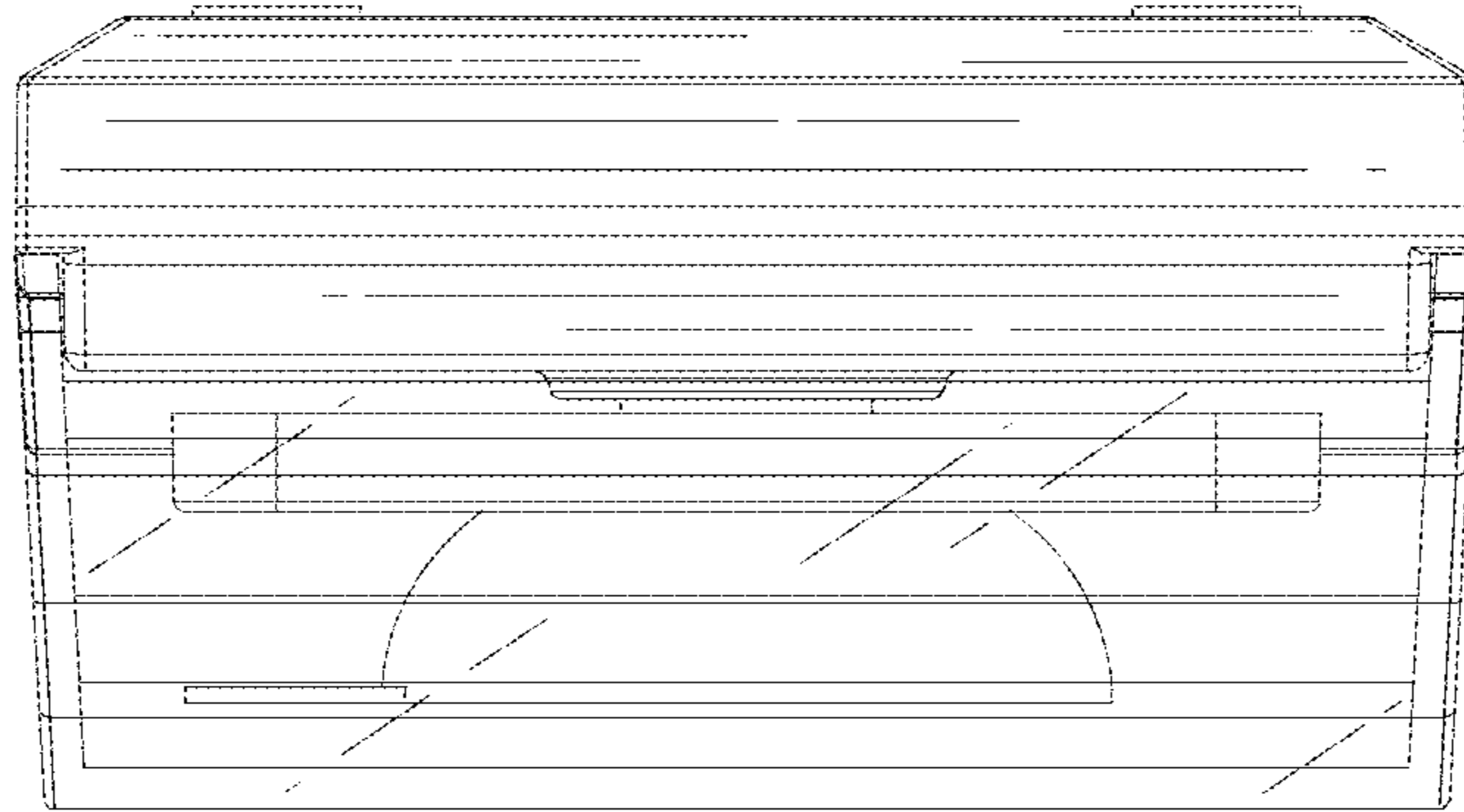


FIG. 8

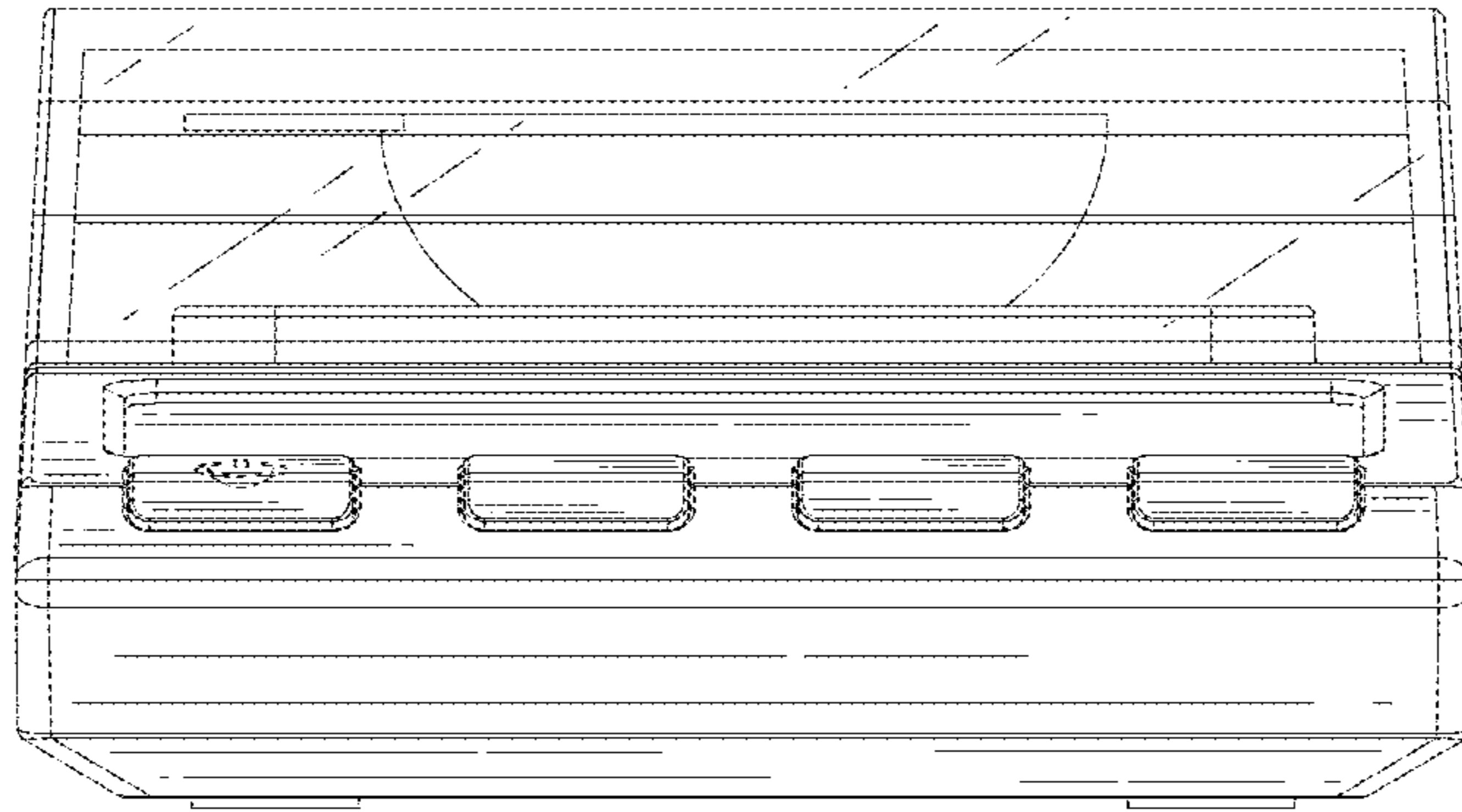


FIG. 9