

US00D942289S

(12) **United States Design Patent** (10) **Patent No.:** **US D942,289 S**
Shen (45) **Date of Patent:** **** Feb. 1, 2022**

(54) **OBDII DIAGNOSTIC INTERFACE**
(71) Applicant: **SHENZHEN CHEBOTONG TECHNOLOGY CO., LTD**, Shenzhen (CN)
(72) Inventor: **Changyun Shen**, Shenzhen (CN)
(73) Assignee: **SHENZHEN CHEBOTONG TECHNOLOGY CO., LTD**, Shenzhen (CN)

(**) Term: **15 Years**

(21) Appl. No.: **29/739,831**

(22) Filed: **Jun. 29, 2020**

(51) **LOC (13) Cl.** **10-04**

(52) **U.S. Cl.**
USPC **D10/78; D14/357**

(58) **Field of Classification Search**
USPC D14/356, 357, 358, 361, 362, 365, 367, D14/370, 388, 389, 432, 434, 240, 242, D14/299, 125, 129, 130, 140, 155, 168, D14/188, 496, 474, 483, 484, 203.1, D14/203.3, 203.6, 238.1, 300, 301, 314, D14/433; D13/103, 107, 108, 123, 152, D13/162, 162.1, 163, 168, 184, 199, 110; D10/46, 78, 80

CPC . H04W 4/44; H04W 4/80; G07C 5/08; G07C 5/008; G07C 5/0808; G07C 5/0858; G06F 17/00; G06Q 10/20

See application file for complete search history.

(56) **References Cited**

U.S. PATENT DOCUMENTS

D224,740 S * 9/1972 Galang et al. D13/156
3,909,099 A * 9/1975 Winkler H01R 13/562
439/295
D262,966 S * 2/1982 Schudel D14/239
4,990,099 A * 2/1991 Marin H01R 13/642
439/284

D327,879 S * 7/1992 Lou D14/433
D331,711 S * 12/1992 Cervas D10/78
D331,740 S * 12/1992 Kaplan D13/156
D331,908 S * 12/1992 Hollander D13/133
D336,467 S * 6/1993 Pooley D13/147
D390,536 S * 2/1998 Austin D13/156
D414,476 S * 9/1999 Hibino D14/358
D441,743 S * 5/2001 Uehara D14/125
D457,194 S * 5/2002 Goto D13/147
D464,997 S * 10/2002 Goto D21/333

(Continued)

OTHER PUBLICATIONS

ScanTool OBDLink LX Bluetooth-obd2-shop. (online) 1 pg. Available at least as early as Nov. 29, 2016. [Retrieved Jul. 28, 2021] https://www.obd2-shop.eu/product_info.php/products_id/410/language/en.*

(Continued)

Primary Examiner — Marie D. Fast Horse
(74) *Attorney, Agent, or Firm* — Bayramoglu Law Offices LLC

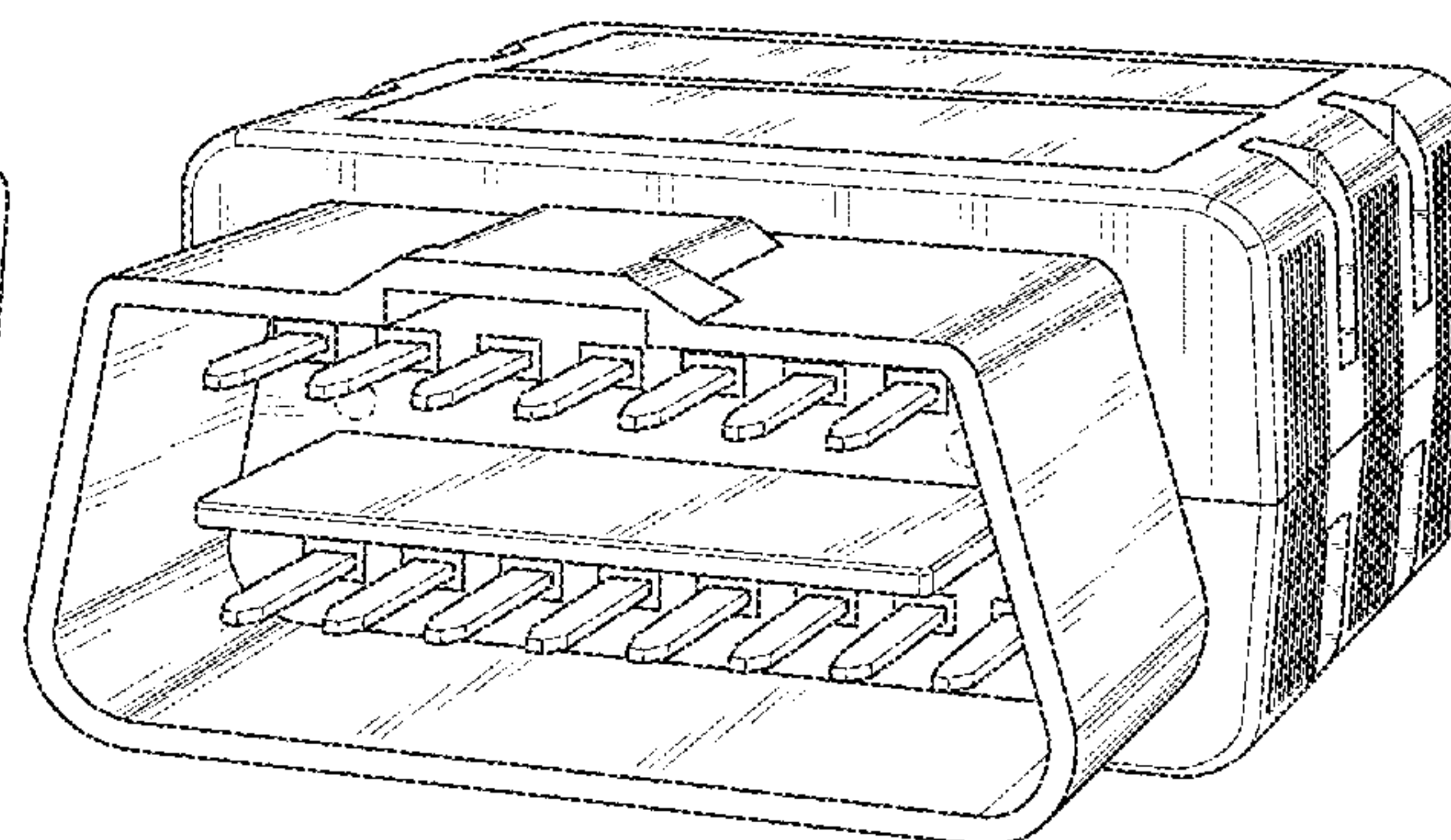
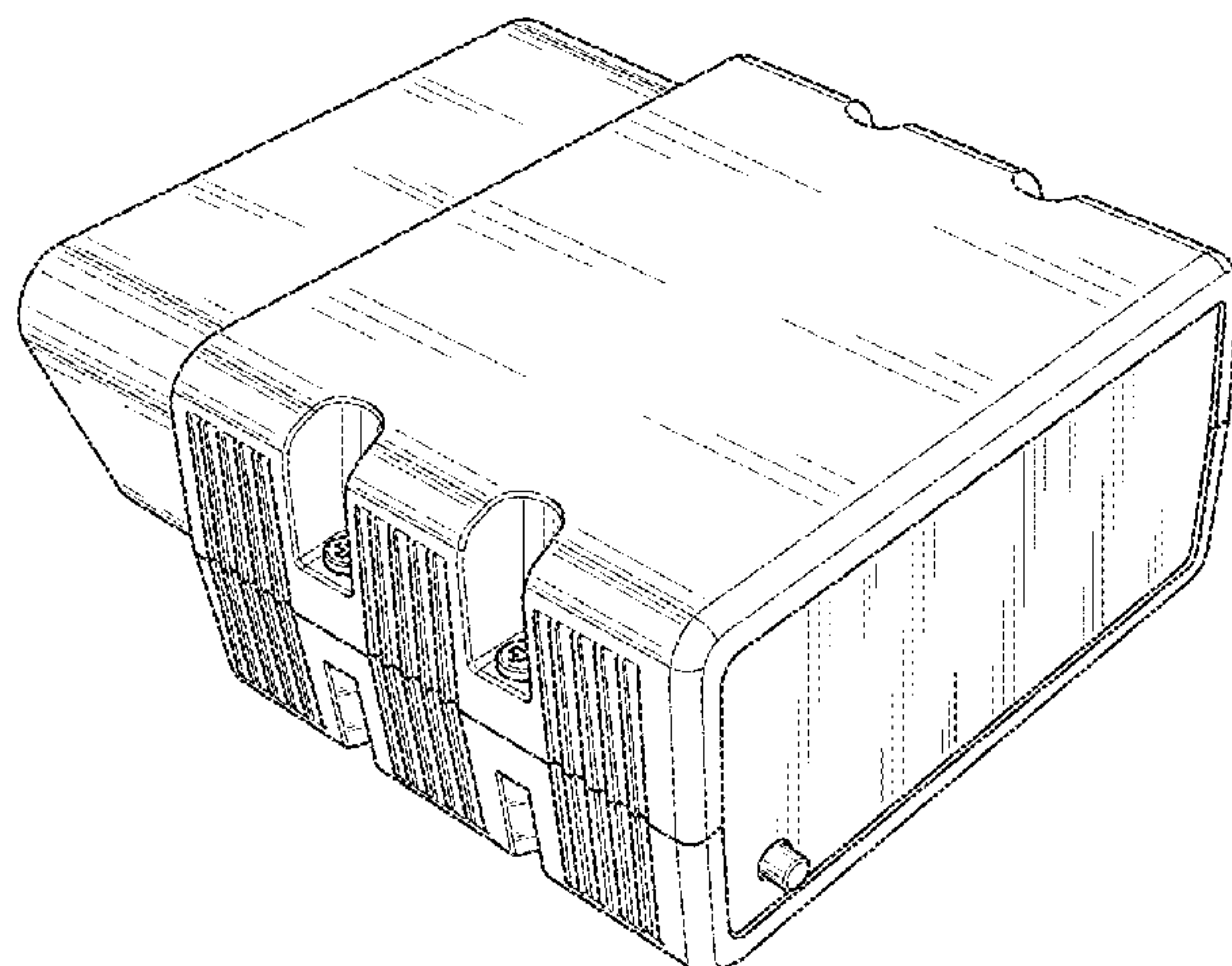
(57) **CLAIM**

The ornamental design for an OBDII diagnostic interface, as shown and described.

DESCRIPTION

FIG. 1 is a top, front and right perspective view of an OBDII diagnostic interface showing my new design;
FIG. 2 is a front view thereof;
FIG. 3 is a top view thereof;
FIG. 4 is a bottom view thereof;
FIG. 5 is a right side view thereof;
FIG. 6 is a left side view thereof; and,
FIG. 7 is a bottom, rear and left perspective view thereof.
The broken lines depict portions of the OBDII diagnostic interface in which the design is embodied that form no part of the claimed design.

1 Claim, 7 Drawing Sheets



(56)

References Cited

U.S. PATENT DOCUMENTS

D500,291 S * 12/2004 Byrne D13/147
 D500,755 S * 1/2005 Chung D14/240
 D512,687 S * 12/2005 Baker D13/133
 D513,252 S * 12/2005 Wang D14/357
 D515,507 S * 2/2006 Byrne D13/147
 D519,924 S * 5/2006 Baker D13/133
 D571,241 S * 6/2008 Andreasen D10/78
 D578,065 S * 10/2008 Baker D13/133
 D596,635 S * 7/2009 Owens D14/358
 7,584,030 B1 * 9/2009 Graham H01R 13/665
 701/33.2
 D612,807 S * 3/2010 Mancini D13/133
 D615,039 S * 5/2010 Mancini D13/133
 D665,748 S * 8/2012 Baker D13/133
 8,480,433 B2 * 7/2013 Huang B60R 16/0232
 439/620.21
 D709,836 S * 7/2014 Casagrande D13/156
 D716,803 S * 11/2014 Neumann D14/358
 D724,977 S * 3/2015 Browning D10/80
 D738,317 S * 9/2015 Hagarty D13/156
 D742,379 S * 11/2015 Haidar D14/383
 D755,790 S * 5/2016 Salvatori D14/433
 D765,082 S * 8/2016 Allen, Sr. D14/433
 D765,083 S * 8/2016 Breitweiser D14/435.1
 9,419,392 B2 * 8/2016 Kirkpatrick H01R 13/6683
 D771,573 S * 11/2016 Lowchareonkul D13/156
 9,595,789 B1 * 3/2017 Ehrman H01R 24/68
 D785,570 S * 5/2017 Fischer D13/138.1
 D806,040 S * 12/2017 Morris D13/147
 D810,696 S * 2/2018 Hagarty D13/156
 D813,159 S * 3/2018 Vinciarelli D13/110
 D820,787 S * 6/2018 Hoffart D13/133
 D825,568 S * 8/2018 Morris D14/433
 D826,172 S * 8/2018 Morris D13/147

D826,864 S * 8/2018 Hoffart D13/147
 D828,838 S * 9/2018 Morris D14/433
 D837,152 S * 1/2019 Wegerer D13/110
 D837,734 S * 1/2019 Vinciarelli D13/110
 D851,090 S * 6/2019 Tak D14/433
 D856,178 S * 8/2019 Hou D10/80
 D865,639 S * 11/2019 Adams, III D12/400
 D865,640 S * 11/2019 Adams, III D12/400
 D873,773 S * 1/2020 Cao D13/133
 D873,774 S * 1/2020 Cao D13/133
 10,535,261 B2 * 1/2020 Alqahtani G08G 1/096725
 D881,877 S * 4/2020 Montanari D14/356
 D888,052 S * 6/2020 Manoharan D14/357
 D901,471 S * 11/2020 Siminoff D14/240
 D908,090 S * 1/2021 Link D13/133
 D910,566 S * 2/2021 Eckstein D14/433
 D913,236 S * 3/2021 Li D13/120
 D923,499 S * 6/2021 Lee D10/78
 2004/0171309 A1 * 9/2004 Baker H01R 13/6456
 439/680
 2012/0258627 A1 * 10/2012 Huang H01R 31/005
 439/620.21
 2014/0052531 A1 * 2/2014 Kent G06Q 30/02
 705/14.49
 2019/0371169 A1 * 12/2019 Alqahtani B60W 30/146

OTHER PUBLICATIONS

OBDDLink LX . . . is it worth the money, (online video) 1 pg. Posted Dec. 27, 2016 [Retrieved Jul. 28, 2021] <https://www.youtube.com/watch?v=umo49O4wLAc>.
 Vlinker MC V2.2 Bluetooth 3.0 Car OBD Fault Diagnosis Detector. 8 pgs. Available as early as Mfr date: Sep. 1, 2019 [Oct. 13, 2021] <https://alexnl.com/product/vlinker-mc-v2-2-bluetooth-3-0-car-obd-fault-diagnosis-detector/>.

* cited by examiner

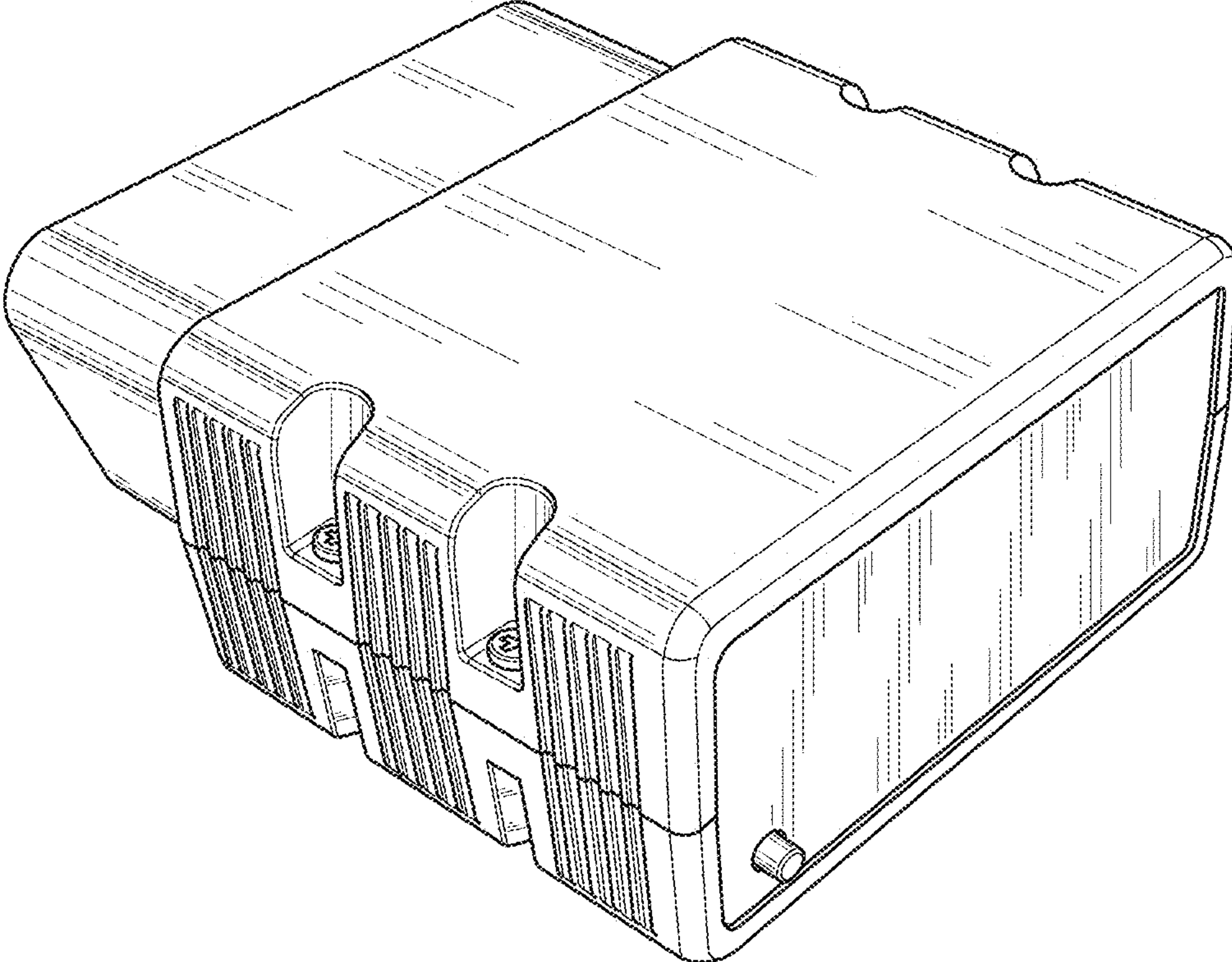


FIG. 1

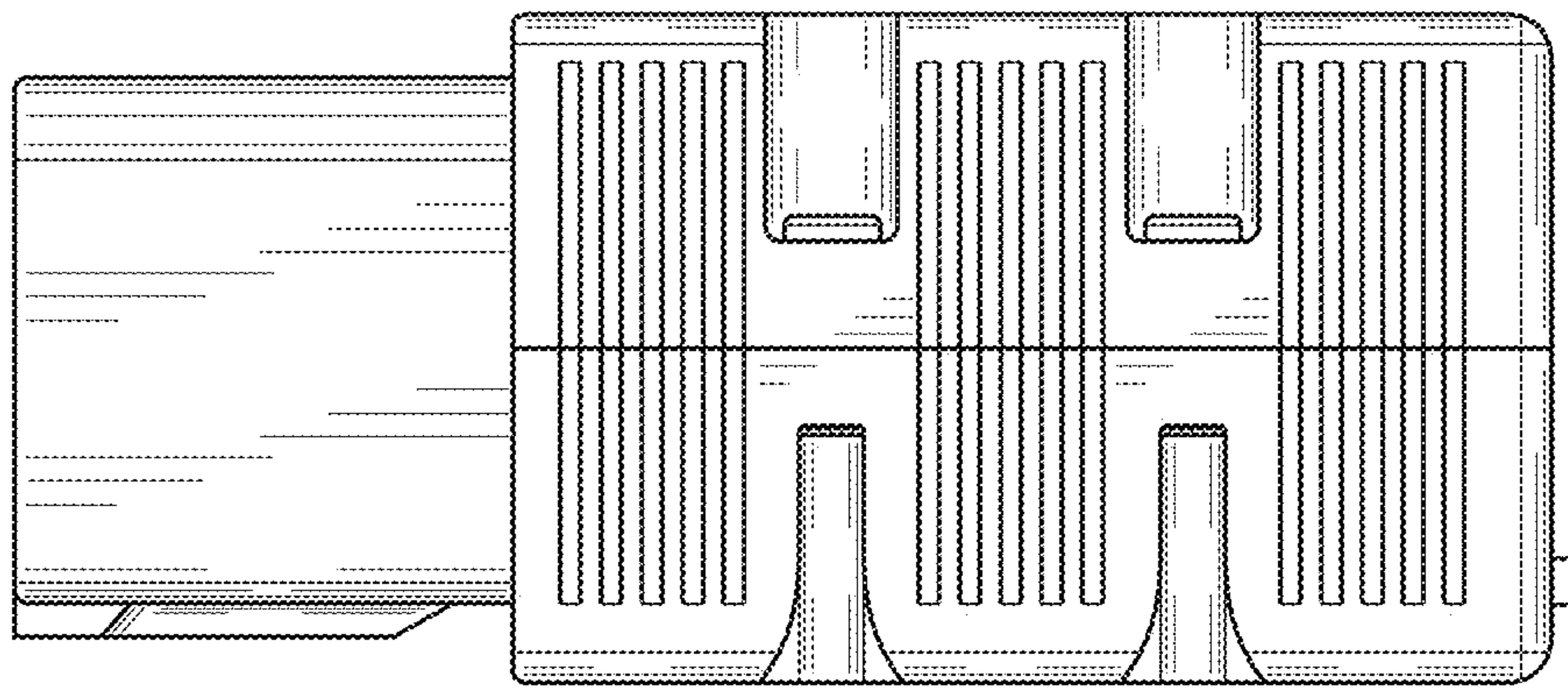


FIG. 2

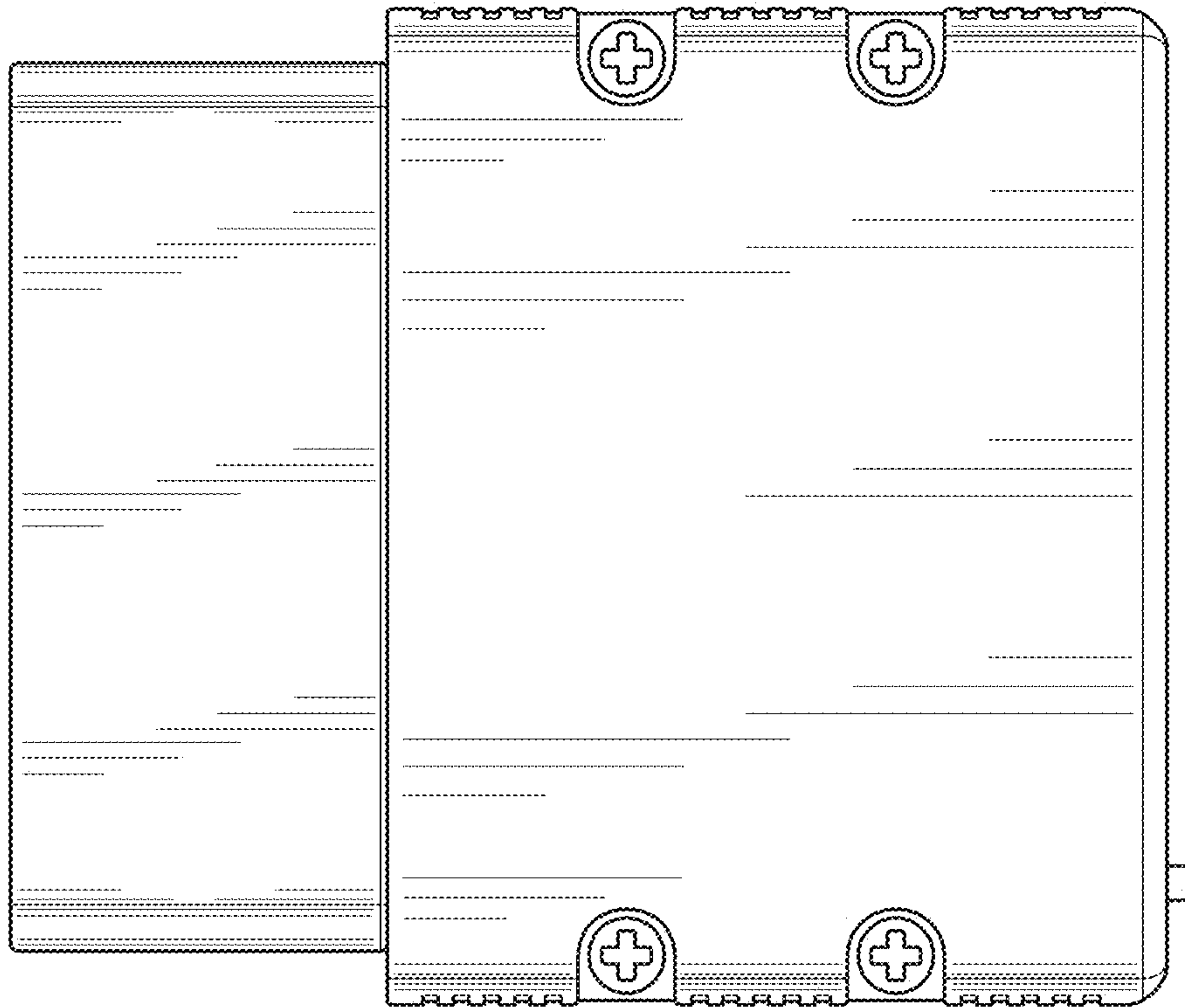


FIG. 3

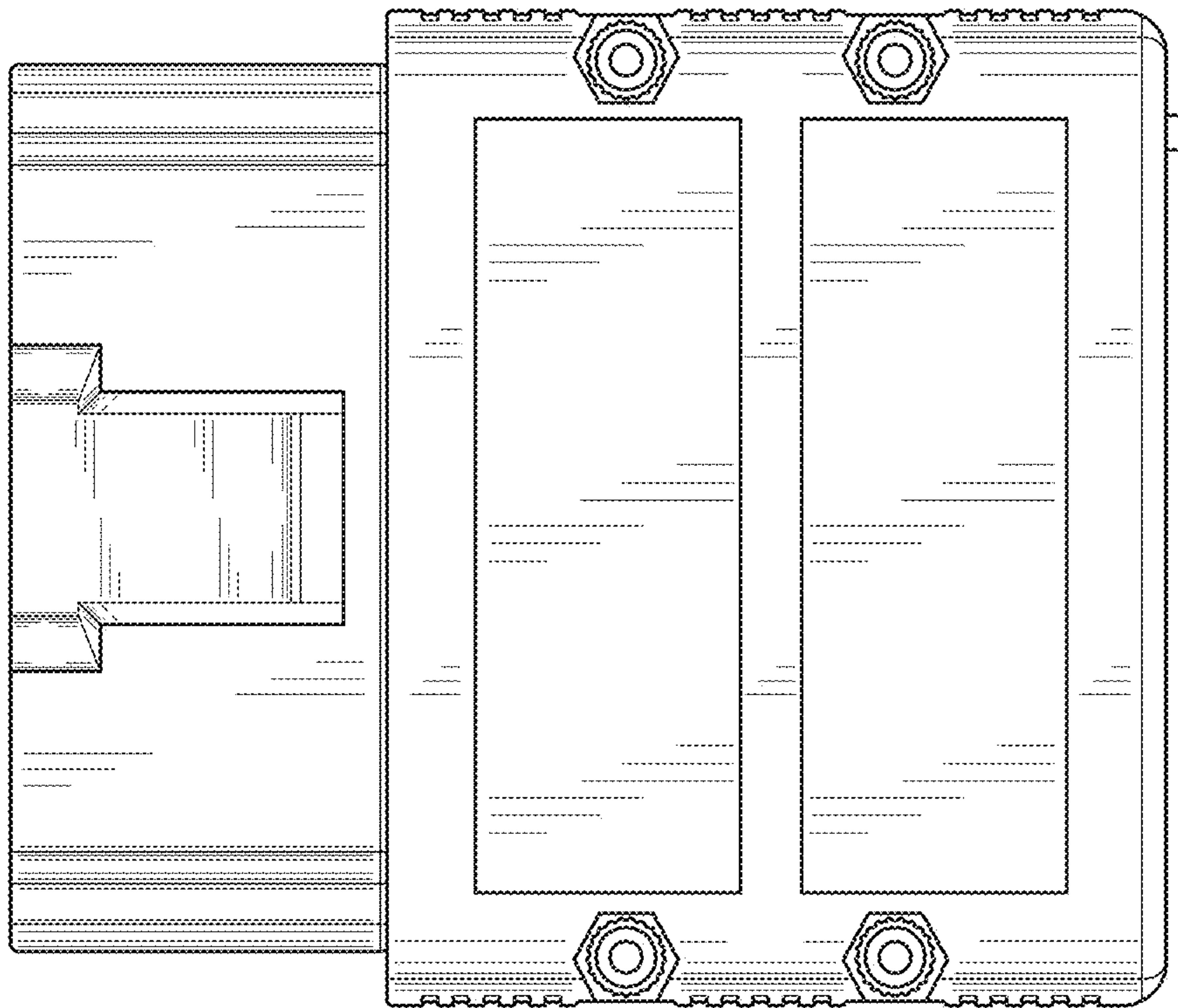


FIG. 4

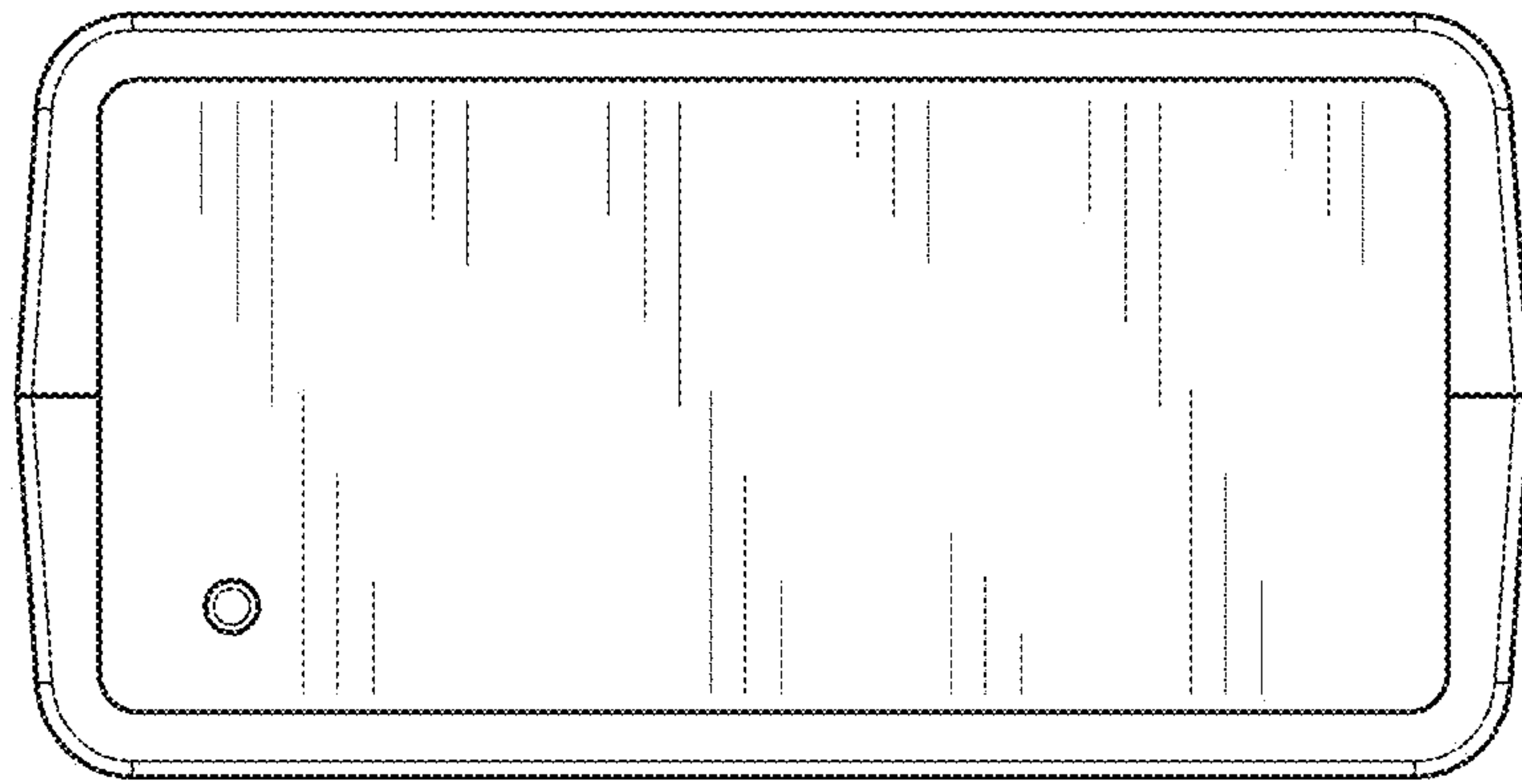


FIG. 5

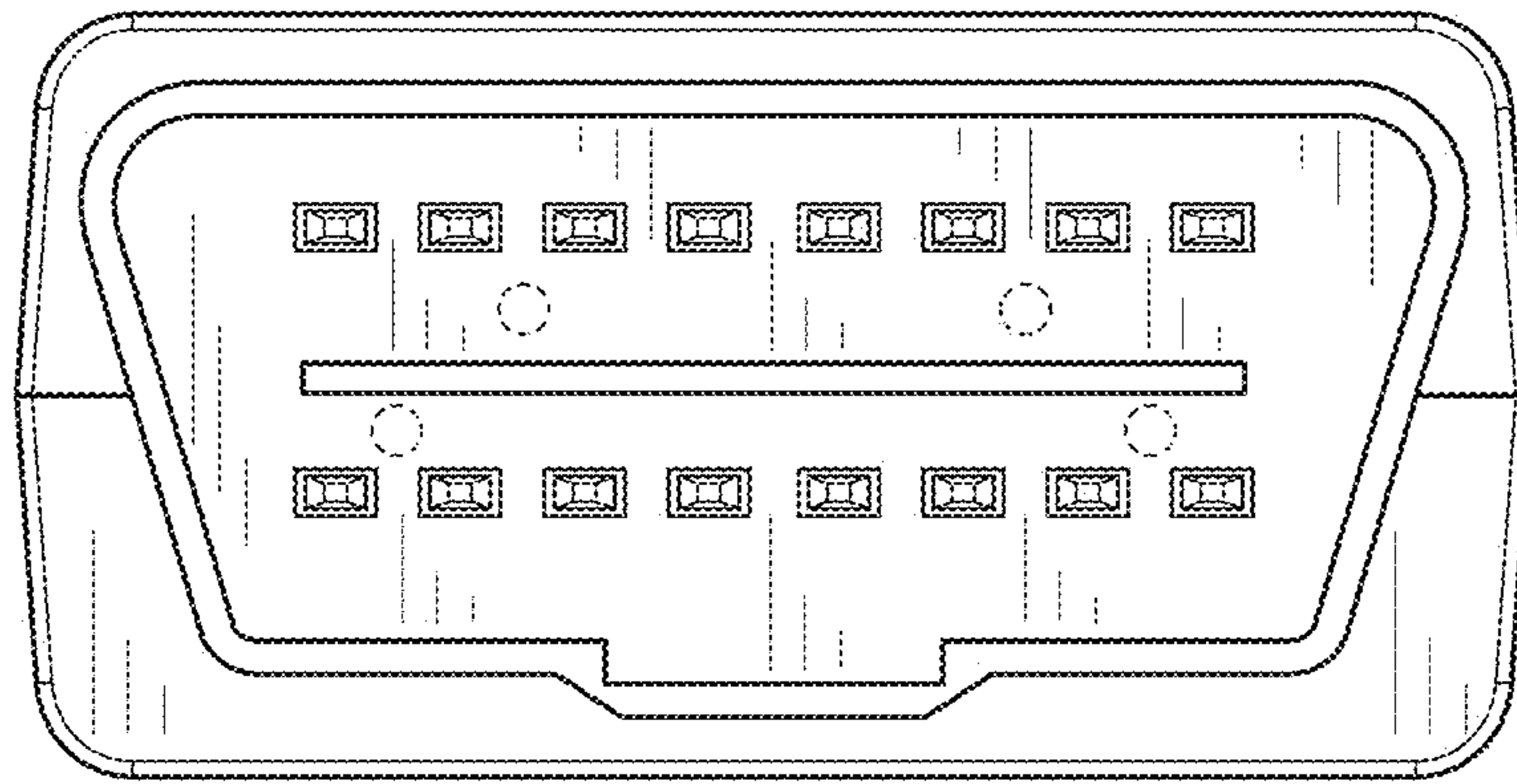


FIG. 6

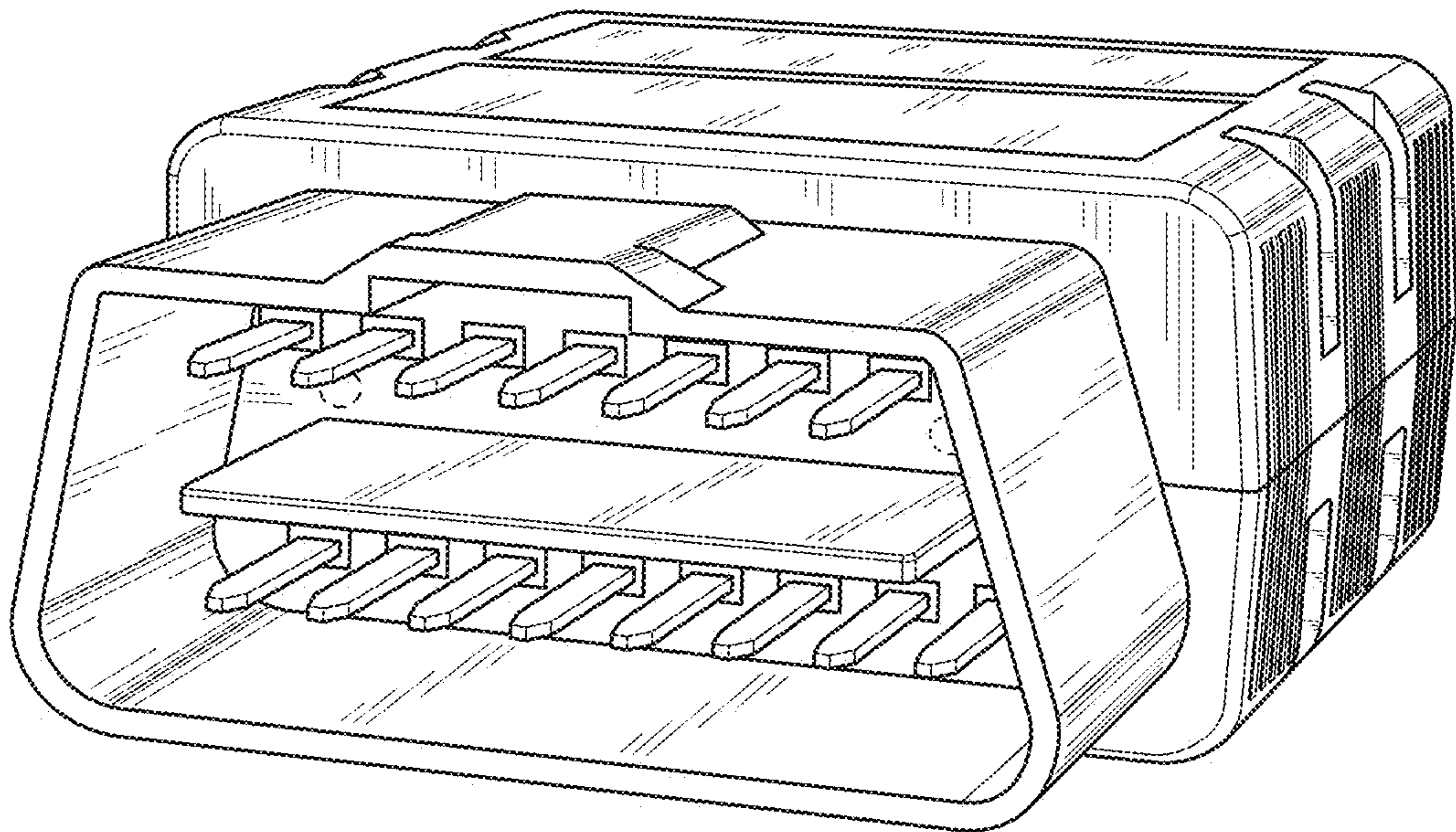


FIG. 7