



US00D942287S

(12) **United States Design Patent** (10) **Patent No.:** **US D942,287 S**
Lan (45) **Date of Patent:** **** Feb. 1, 2022**

(54) **SIGNAL DETECTOR**
(71) Applicant: **Jinhe Lan**, Guangdong (CN)
(72) Inventor: **Jinhe Lan**, Guangdong (CN)
(**) Term: **15 Years**

D922,230 S * 6/2021 Lan D10/104.1
D923,597 S * 6/2021 Nishikawa D14/137
D931,128 S * 9/2021 Li D10/78

(21) Appl. No.: **29/703,339**

(22) Filed: **Aug. 27, 2019**

(51) **LOC (13) Cl.** **10-04**

(52) **U.S. Cl.**
USPC **D10/78**

(58) **Field of Classification Search**
USPC D10/75, 78, 104.1, 65; D14/137
See application file for complete search history.

(56) **References Cited**

U.S. PATENT DOCUMENTS

D726,035 S * 4/2015 Perez D10/65
D750,992 S * 3/2016 Perez D10/104.1
D794,587 S * 8/2017 Page D14/137
D831,600 S * 10/2018 Aihsan D14/137
D854,434 S * 7/2019 Blair D10/78
D854,953 S * 7/2019 Blair D10/78
D882,540 S * 4/2020 Giessel D14/137
D894,863 S * 9/2020 Zheng D14/155
D900,655 S * 11/2020 Rocholl Gullon D10/78
D904,211 S * 12/2020 Giessel D10/75
D912,553 S * 3/2021 Thurnherr D10/75
D915,233 S * 4/2021 Giessel D10/104.1

OTHER PUBLICATIONS

https://www.amazon.com/Detector-Wireless-Signal-Listening-Scanner/dp/B07B93347H?ref=ast_sto_dp (Year: 2018).*
<https://www.brickhousesecurity.com/counter-surveillance/digital-rf/> (Year: 2019).*

* cited by examiner

Primary Examiner — George D. Kirschbaum

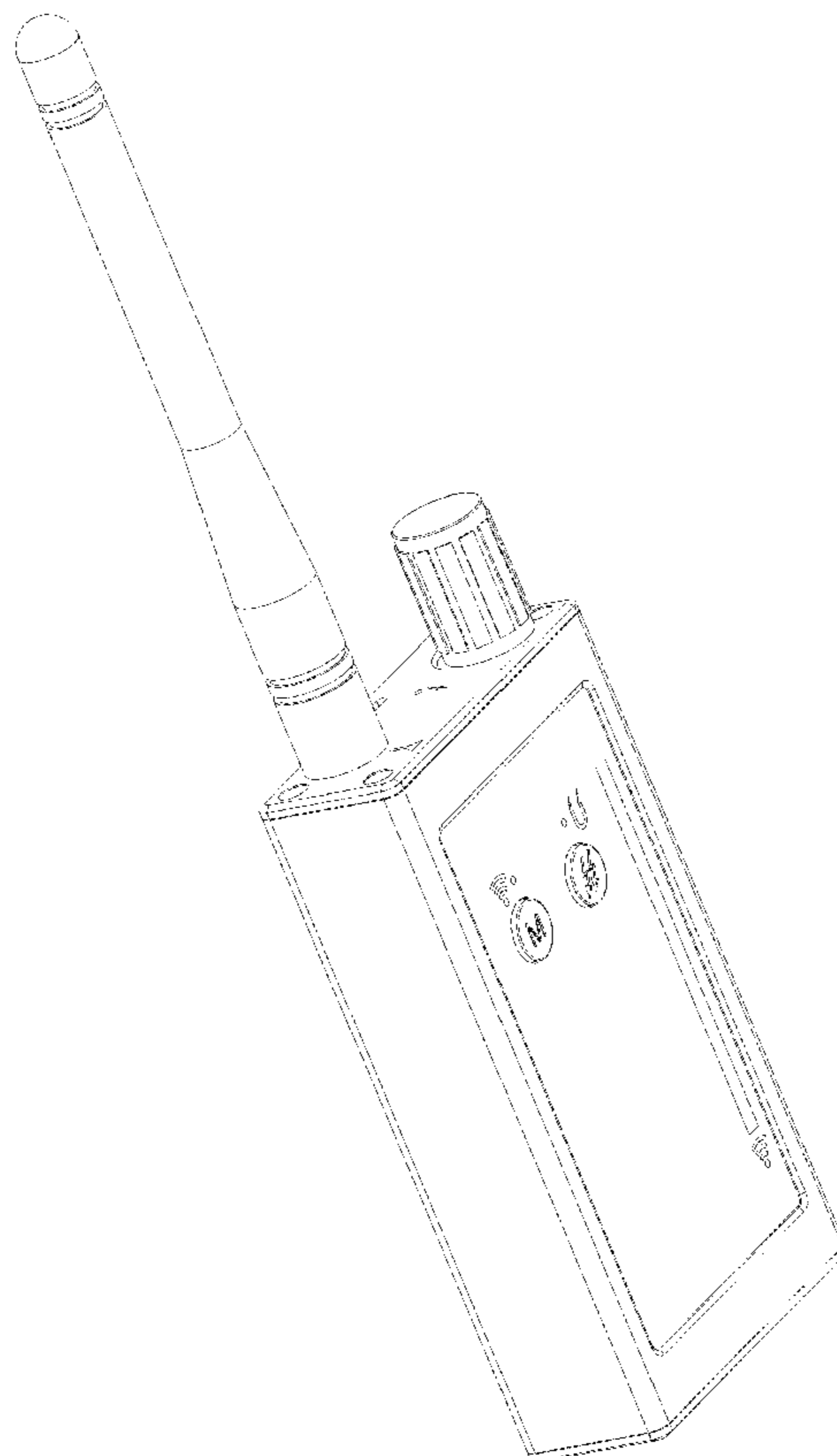
(57) **CLAIM**

The ornamental design for a signal detector, as shown and described.

DESCRIPTION

FIG. 1 is a front elevational view of a signal detector showing my new design;
FIG. 2 is a rear elevational view thereof;
FIG. 3 is a left side view thereof;
FIG. 4 is a right side view thereof;
FIG. 5 is a top plan view thereof;
FIG. 6 is a bottom plan view thereof;
FIG. 7 is a perspective view thereof; and,
FIG. 8 is another perspective view thereof.
The broken lines shown in signal detector form no part of the claimed design.

1 Claim, 7 Drawing Sheets



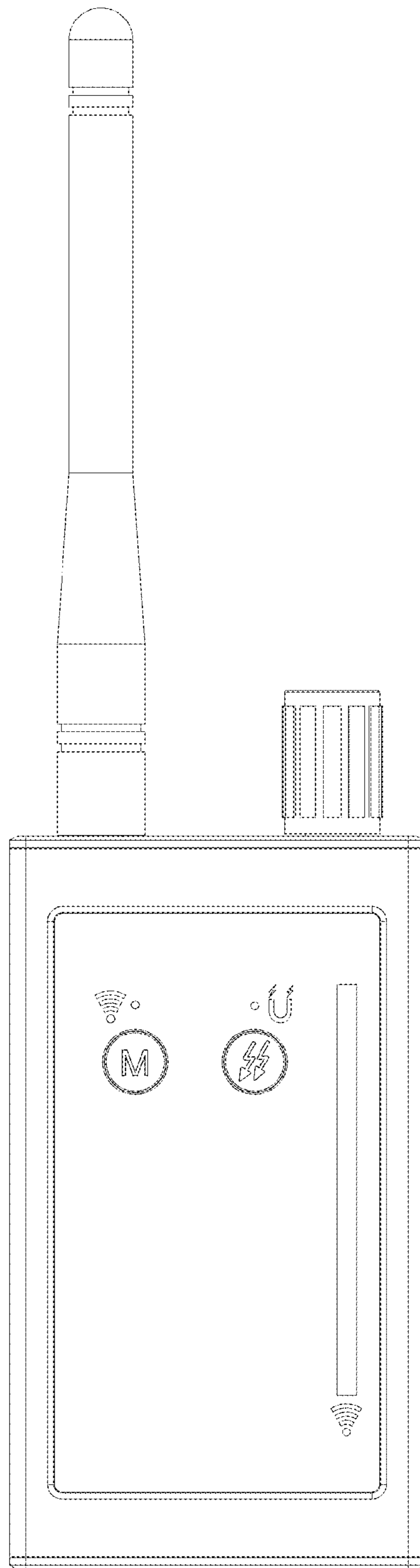


Fig. 1

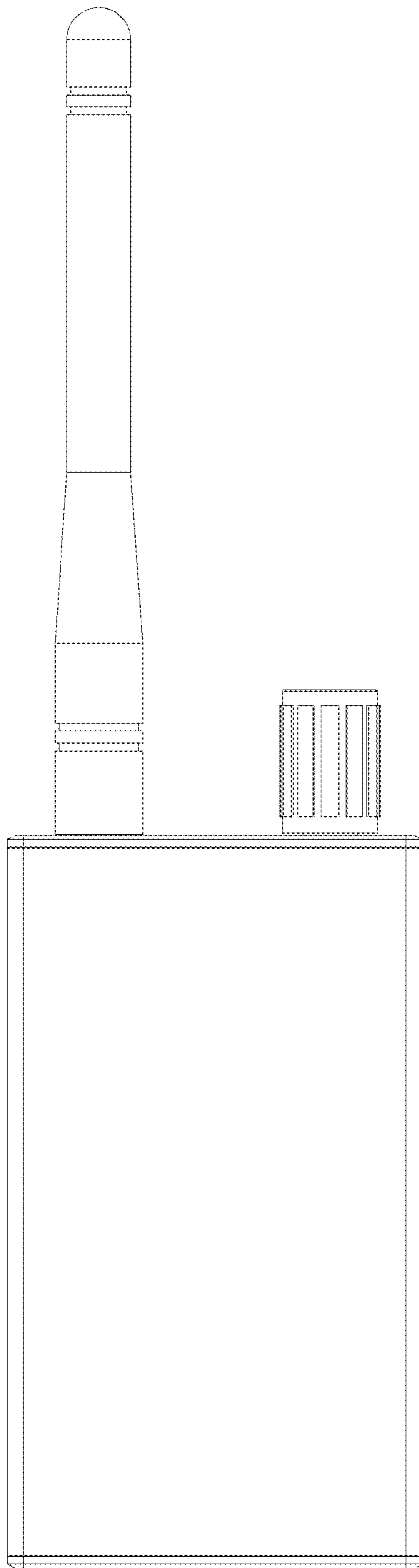


Fig. 2

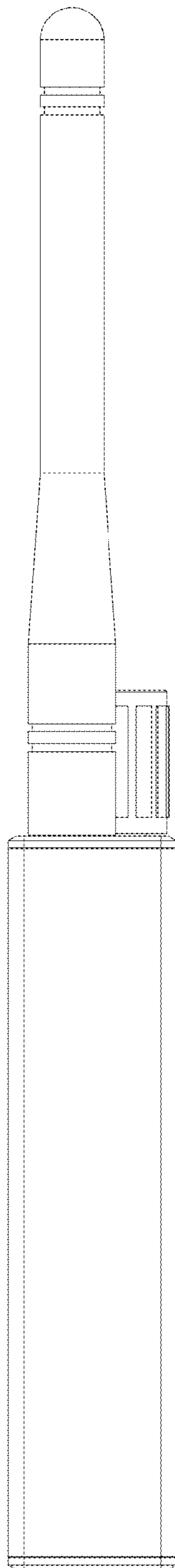


Fig. 3

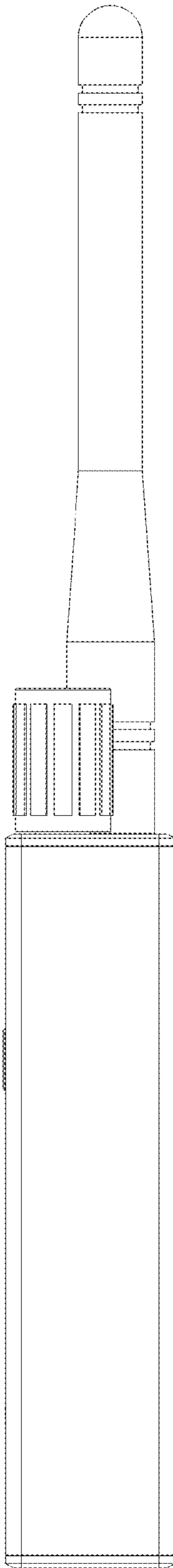


Fig. 4

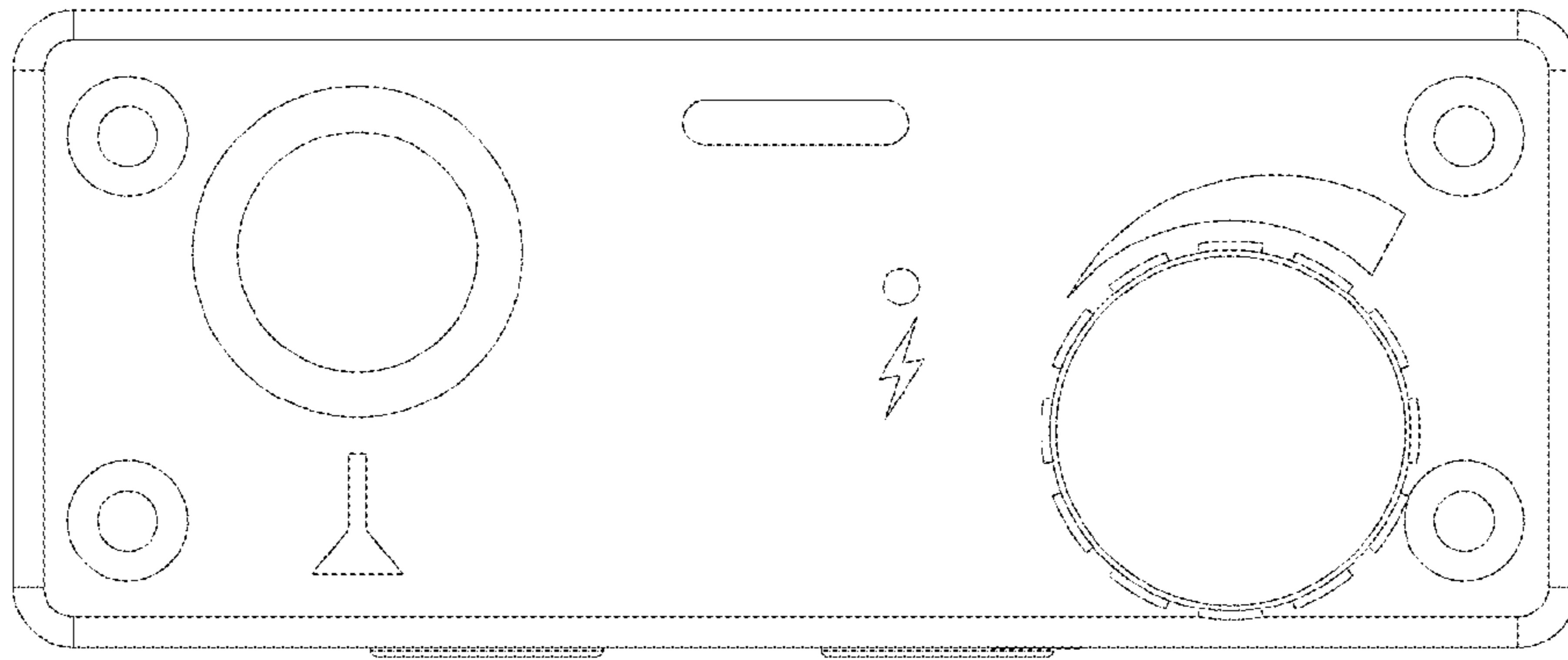


Fig. 5

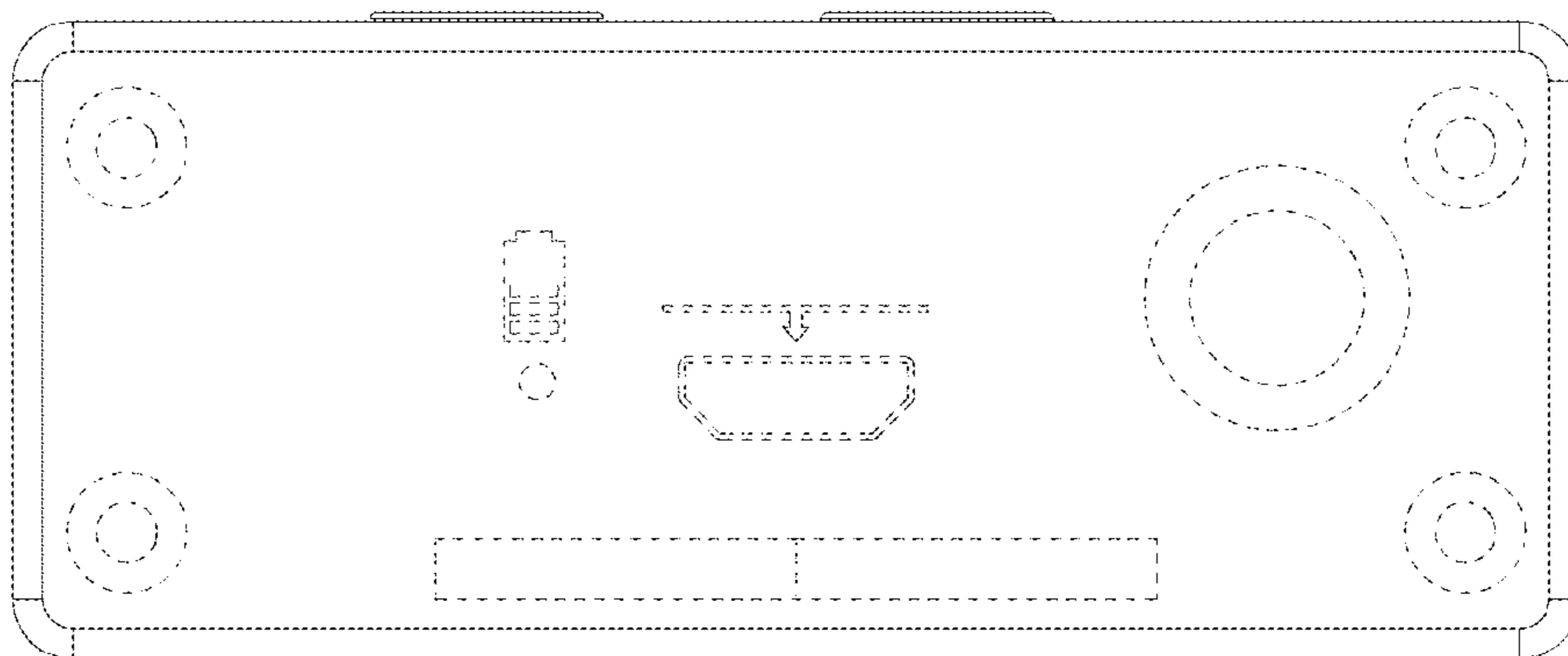


Fig. 6

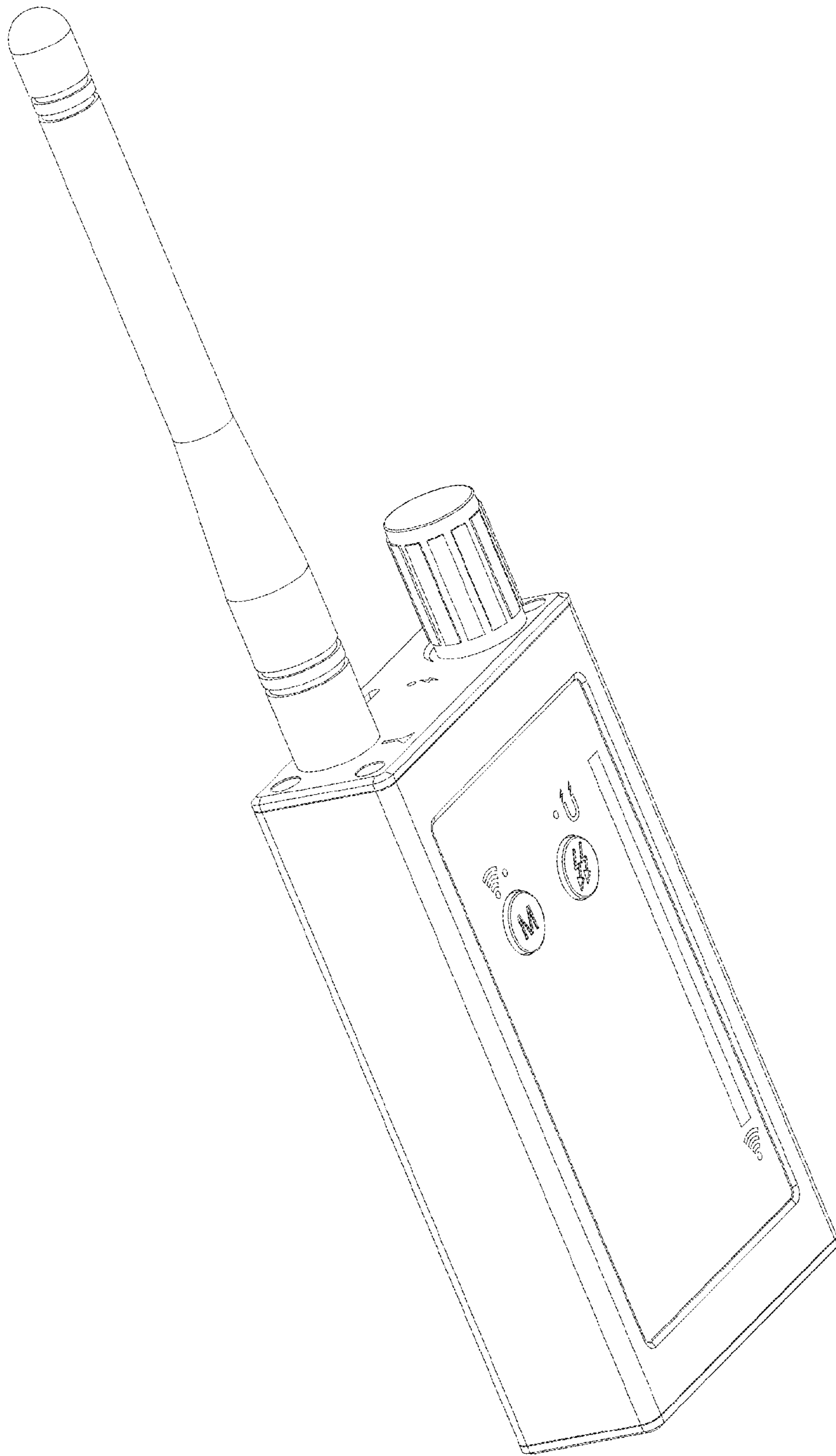


Fig. 7

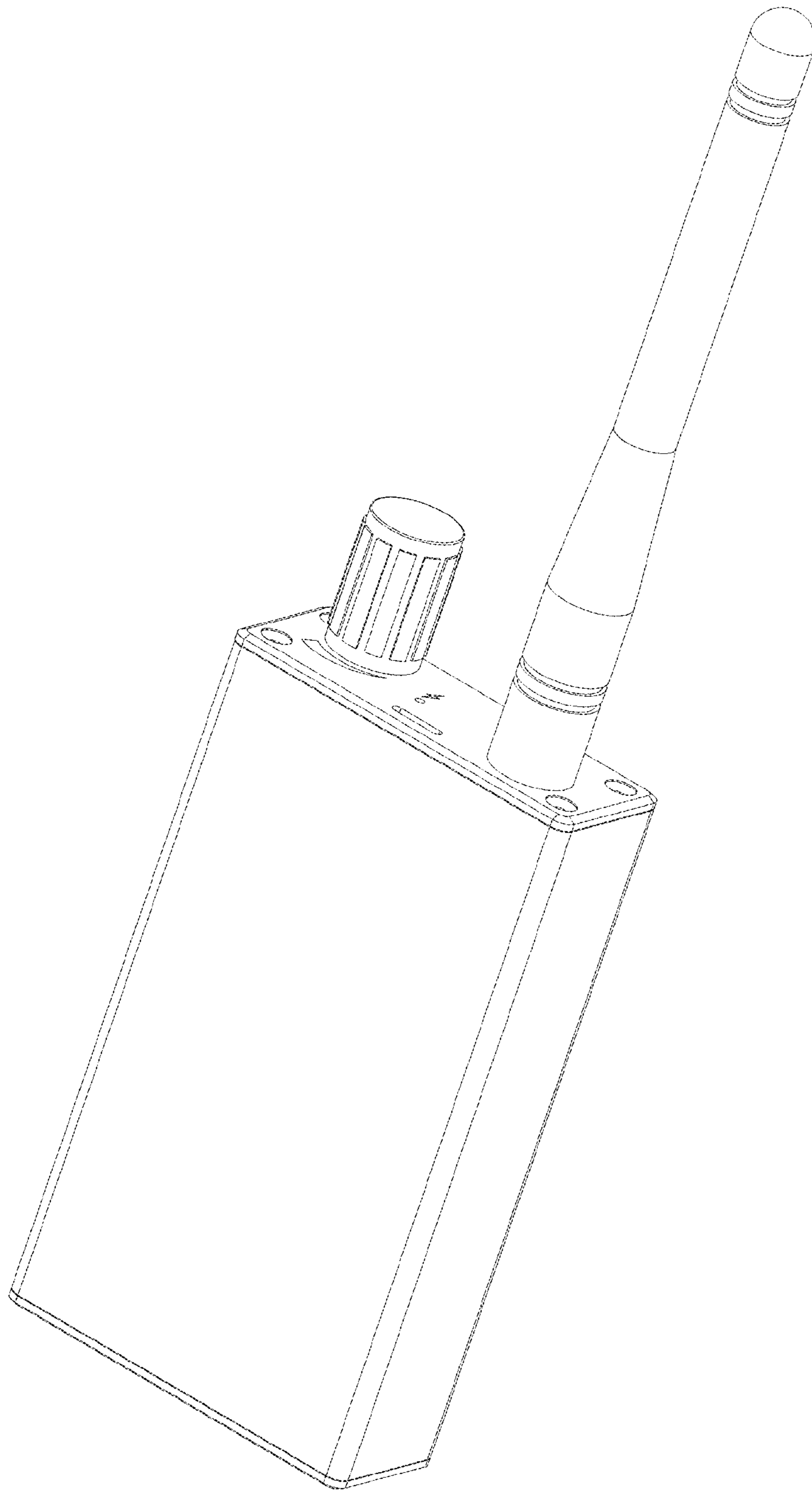


Fig. 8