



US00D942286S

(12) **United States Design Patent**
Burns et al.

(10) **Patent No.:** **US D942,286 S**
(45) **Date of Patent:** **** Feb. 1, 2022**

(54) **MOTION SENSOR**

(71) Applicant: **Amazon Technologies, Inc.**, Seattle, WA (US)
(72) Inventors: **Thomas Burns**, Boston, MA (US);
Mark Graziani, Amesbury, MA (US);
Sunny Kim, Woodbury, NY (US)
(73) Assignee: **Amazon Technologies, Inc.**, Seattle, WA (US)

(**) Term: **15 Years**
(21) Appl. No.: **29/715,973**
(22) Filed: **Dec. 5, 2019**

Related U.S. Application Data

(62) Division of application No. 29/660,342, filed on Aug. 20, 2018, now Pat. No. Des. 871,240.
(51) **LOC (13) Cl.** **10-04**
(52) **U.S. Cl.**
USPC **D10/70**
(58) **Field of Classification Search**
USPC D10/70, 106.6
CPC .. G01P 13/00; G01P 13/0006; G01P 13/0013;
G01P 13/002; G01P 13/0026; G01P 13/0033;
G01P 13/004; G01P 13/0046; G01P 13/0053;
G01P 13/006; G01P 13/0066; G01P 13/0073;
G01P 13/008; G01P 13/0086; G01P 13/0093; G08B 21/00;
G08B 21/02; G08B 21/0202; G08B 21/0205;
G08B 21/0208; G08B 21/0211; G08B 21/0213;
G08B 21/0216; G08B 21/0219; G08B 21/0222;
G08B 21/0225; G08B 21/0227; G08B 21/023;
G08B 21/0233; G08B 21/0236; G08B 21/0238;
G08B 21/0241; G08B 21/0244; G08B 21/0247;
G08B 21/025; G08B 21/0252; G08B 21/0258;
G08B 21/0261;
(Continued)

(56) **References Cited**

U.S. PATENT DOCUMENTS
5,835,103 A * 11/1998 Butler G09G 5/42
345/531
D614,979 S * 5/2010 McNames D10/65
(Continued)
Primary Examiner — Antoine Duval Davis
(74) *Attorney, Agent, or Firm* — Lee & Hayes, P.C.

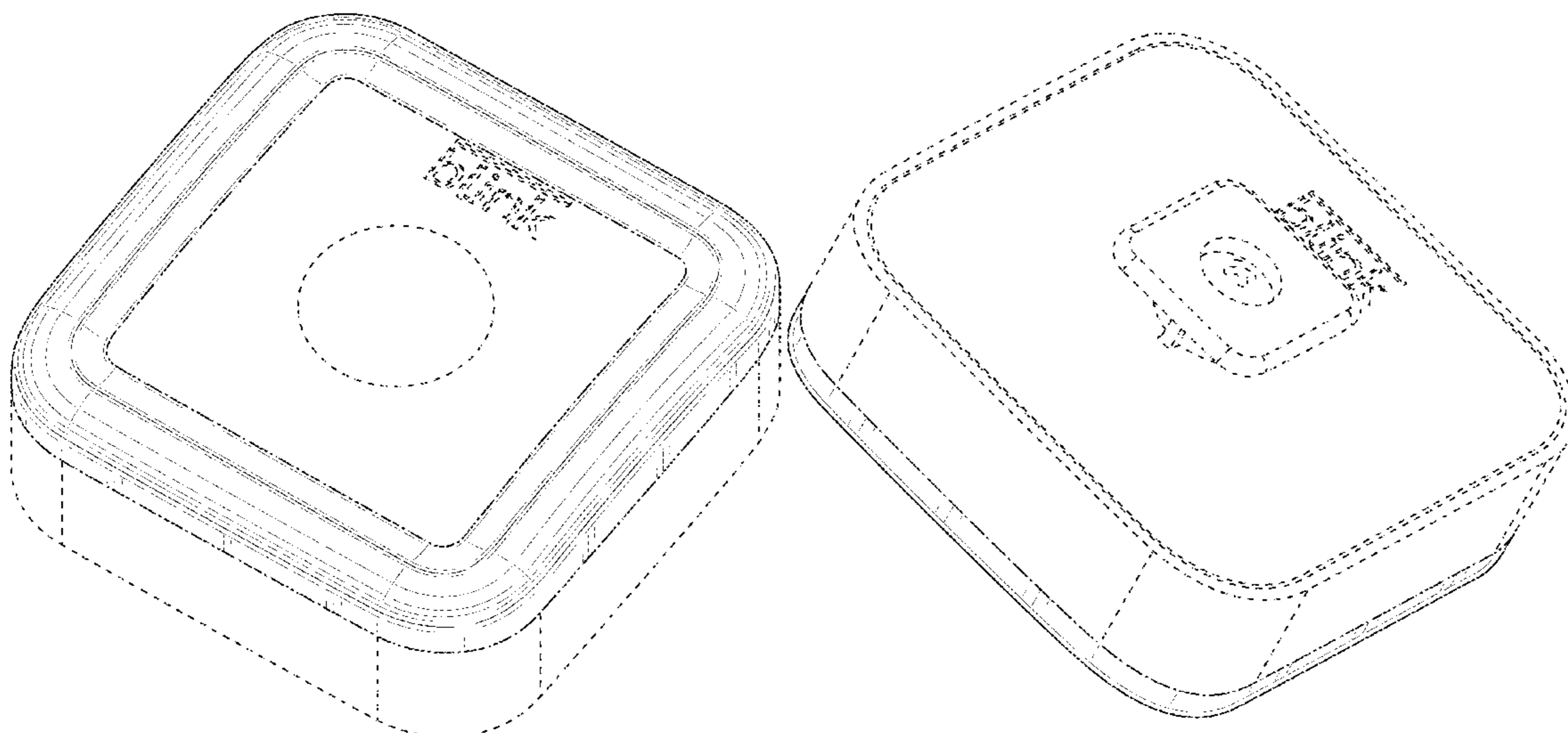
(57) **CLAIM**

The ornamental design for a motion sensor, as shown and described.

DESCRIPTION

FIG. 1 is a front, bottom, right-side perspective view of a motion sensor;
FIG. 2 is a back, bottom, left-side perspective view thereof;
FIG. 3 is a front elevation view thereof;
FIG. 4 is a back elevation view thereof;
FIG. 5 is a left-side elevation view thereof;
FIG. 6 is a right-side elevation view thereof;
FIG. 7 is a top plan view thereof;
FIG. 8 is a bottom plan view thereof;
FIG. 9 is a cross-sectional view of the motion sensor taken along the line 9-9 shown in FIG. 3. No claim is made to the internal features of the motion sensor and/or thickness of the housing of the motion sensor; and,
FIG. 10 is a cross-sectional view of the motion sensor taken along the line 10-10 shown in FIG. 3. No claim is made to the internal features of the motion sensor and/or thickness of the housing of the motion sensor.
The dashed broken lines depict portions of the motion sensor that form no part of the claimed design. The dot-dashed broken lines represent boundaries designating portions of the claimed motion sensor and form no part of the claimed design.

1 Claim, 10 Drawing Sheets



(58) **Field of Classification Search**

CPC G08B 21/0263; G08B 21/0266; G08B 21/0269; G08B 21/0272; G08B 21/0275; G08B 21/0277; G08B 21/028; G08B 21/0283; G08B 21/0286; G08B 21/0288; G08B 21/0291; G08B 21/0194; G08B 21/0297; G08B 21/04; G08B 21/0407; G08B 21/0415; G08B 21/0423; G08B 21/043; G08B 21/0438; G08B 21/0446; G08B 21/0453; G08B 21/0461; G08B 21/0469; G08B 21/0476; G08B 21/0484; G08B 21/0492; G08B 21/06; G08B 21/08; G08B 21/082; G08B 21/084; G08B 21/086; G08B 21/088; G08B 21/10; G08B 21/12; G08B 21/14; G08B 21/16; G08B 21/18; G08B 21/182; G08B 21/185; G08B 21/187; G08B 21/20; G08B 21/22; G08B 21/24; G08B 21/245; G08B 23/00; G08B 13/00; G08B 13/02; G08B 13/04; G08B 13/06; G08B 13/08; G08B 13/10; G08B 13/12; G08B 13/122; G08B 13/124; G08B 13/126; G08B 13/028; G08B 13/14; G08B 13/1409; G08B 13/1418; G08B 13/1427; G08B 13/1436; G08B 13/1445; G08B 13/1454; G08B 13/1463; G08B 13/1472; G08B 13/1481; G08B 13/149; G08B 13/16; G08B 13/1609; G08B 13/1618; G08B 13/1627; G08B 13/1636; G08B 13/1645; G08B 13/1654; G08B 13/1663; G08B 13/1672; G08B 13/1681; G08B 13/169; G08B 13/18; G08B 13/181; G08B 13/183; G08B 13/184; G08B 13/186; G08B 13/187; G08B 13/189; G08B 13/1895; G08B 13/19; G08B 13/191; G08B 13/193; G08B 13/194; G08B 13/196; G08B 13/19602; G08B 13/19604; G08B 13/19606; G08B 13/19608; G08B 13/1961; G08B 13/19613; G08B 13/19615; G08B 13/19617; G08B 13/19619; G08B 13/19621; G08B 13/19623; G08B 13/19626; G08B 13/19628; G08B 13/1963; G08B 13/19632; G08B 13/19634; G08B 13/19636; G08B 13/19639; G08B 13/19641; G08B 13/19643; G08B

13/19645; G08B 13/19647; G08B 13/1965; G08B 13/19652; G08B 13/19654; G08B 13/19656; G08B 13/19658; G08B 13/1966; G08B 13/19663; G08B 13/19665; G08B 13/19667; G08B 13/19669; G08B 13/19671; G08B 13/19673; G08B 13/19676; G08B 13/19678; G08B 13/1968; G08B 13/19682; G08B 13/19684; G08B 13/19686; G08B 13/19689; G08B 13/19691; G08B 13/19693; G08B 13/19695; G08B 13/19697; G08B 13/20; G08B 13/22; G08B 13/24; G08B 13/2402; G08B 13/2405; G08B 13/2408; G08B 13/2411; G08B 13/2414; G08B 13/2417; G08B 13/242; G08B 13/2422; G08B 13/2425; G08B 13/2428; G08B 13/2431; G08B 13/2434; G08B 13/2437; G08B 13/244; G08B 13/2442; G08B 13/2445; G08B 13/2448; G08B 13/2451; G08B 31/2454; G08B 13/2457; G08B 13/246; G08B 13/2462; G08B 13/2465; G08B 13/2468; G08B 13/2471; G08B 13/2474; G08B 13/2477; G08B 13/248; G08B 13/2482; G08B 13/2485; G08B 13/2488; G08B 13/2491; G08B 13/2494; G08B 13/2497; G08B 13/26; G08B 13/128; G08B 13/2492

See application file for complete search history.

(56)

References Cited

U.S. PATENT DOCUMENTS

8,436,731 B2 * 5/2013 Davis G08B 13/1436 340/540
 D683,634 S * 6/2013 Hayakawa D10/46
 D693,248 S * 11/2013 Anderssen D10/65
 D693,249 S * 11/2013 Anderssen D10/65
 D778,185 S * 2/2017 Ookawa D10/70
 D825,359 S * 8/2018 Lee D10/70
 D842,724 S * 3/2019 Vandenbussche D10/70
 D843,862 S * 3/2019 Bellows D10/70
 D850,627 S * 6/2019 Purani D24/186
 D858,321 S * 9/2019 Recker D10/70
 D876,253 S * 2/2020 Fagnot D10/70
 D881,047 S * 4/2020 Recker D10/70

* cited by examiner

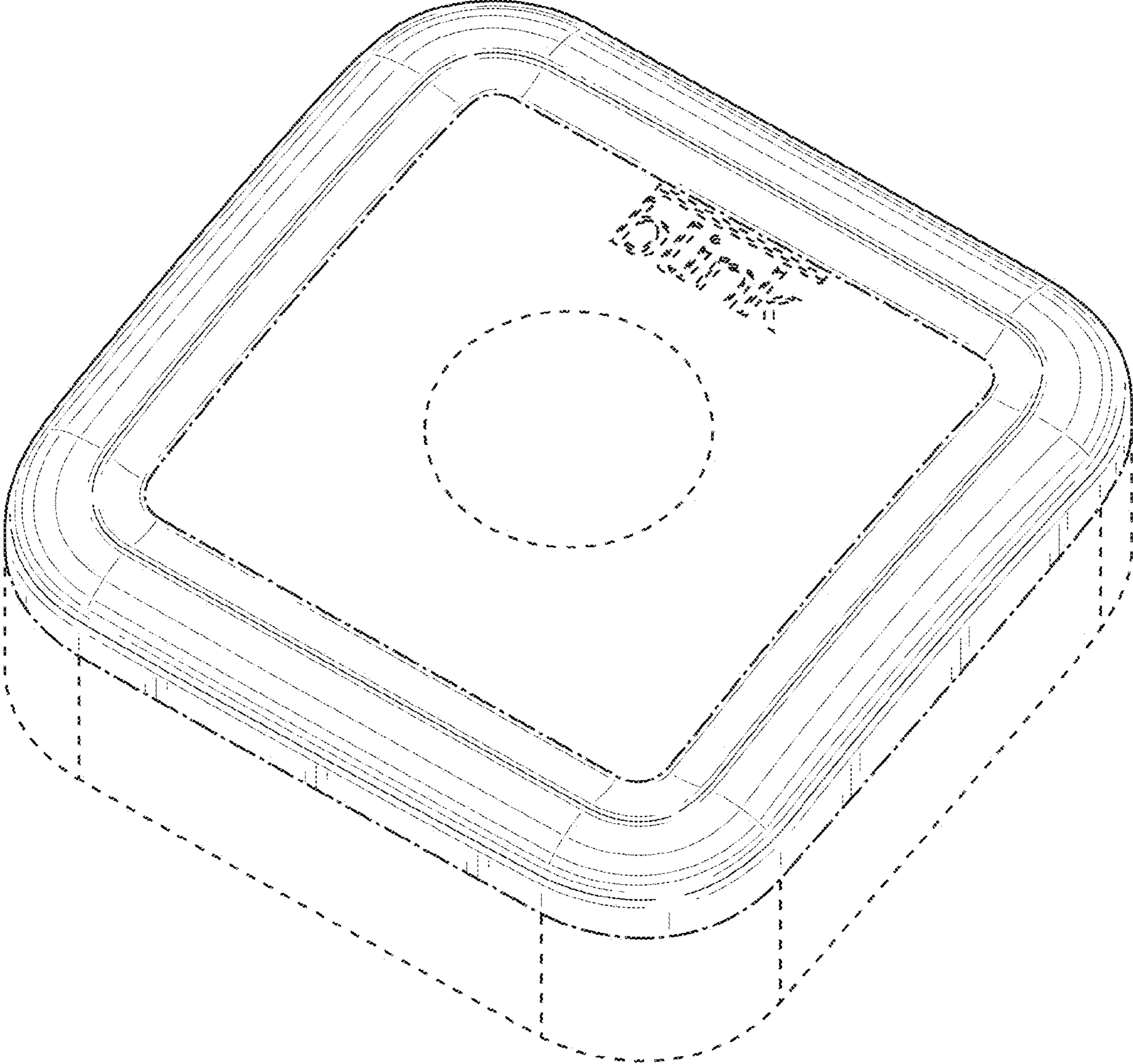


FIG. 1



FIG. 2

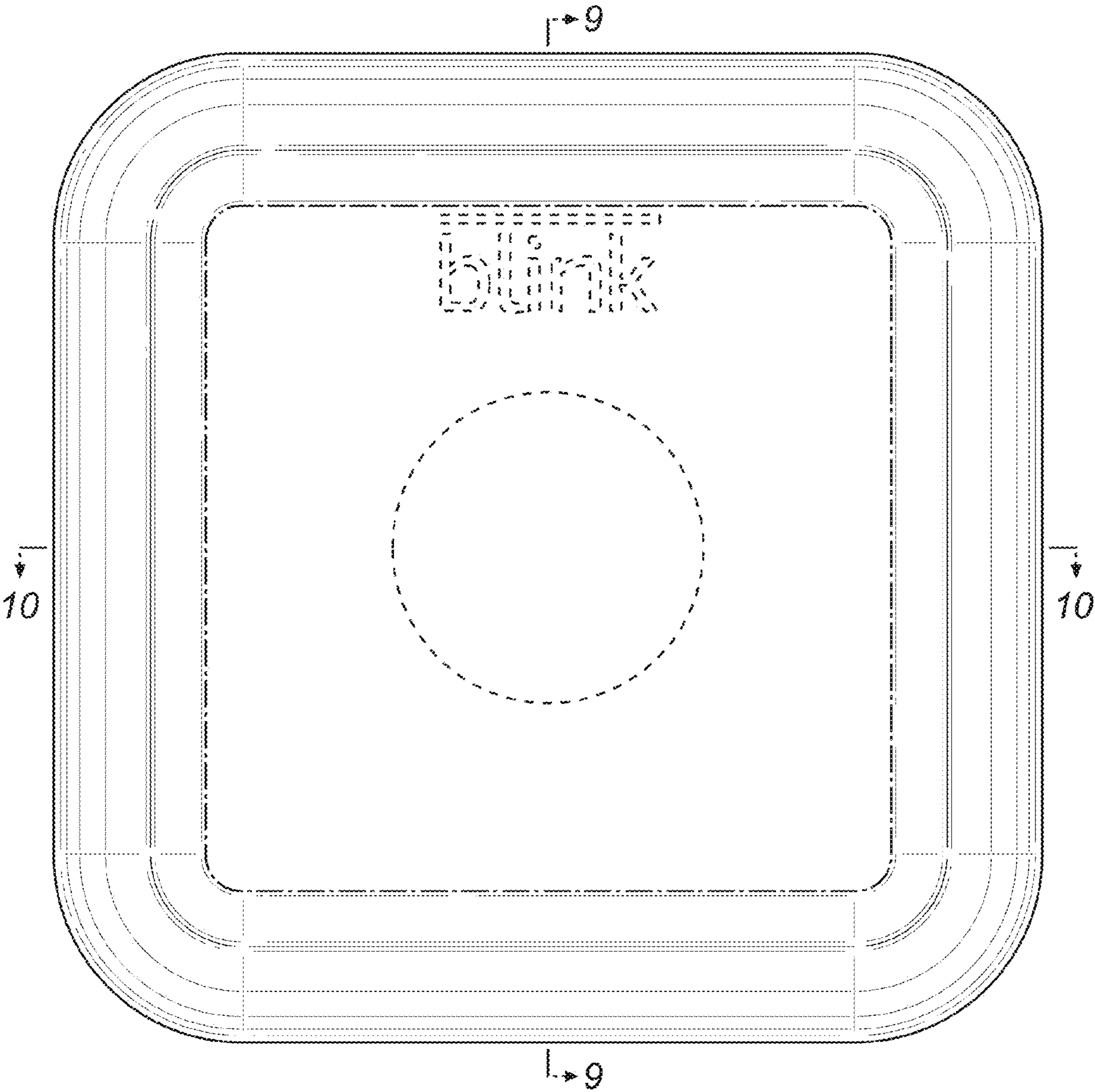


FIG. 3

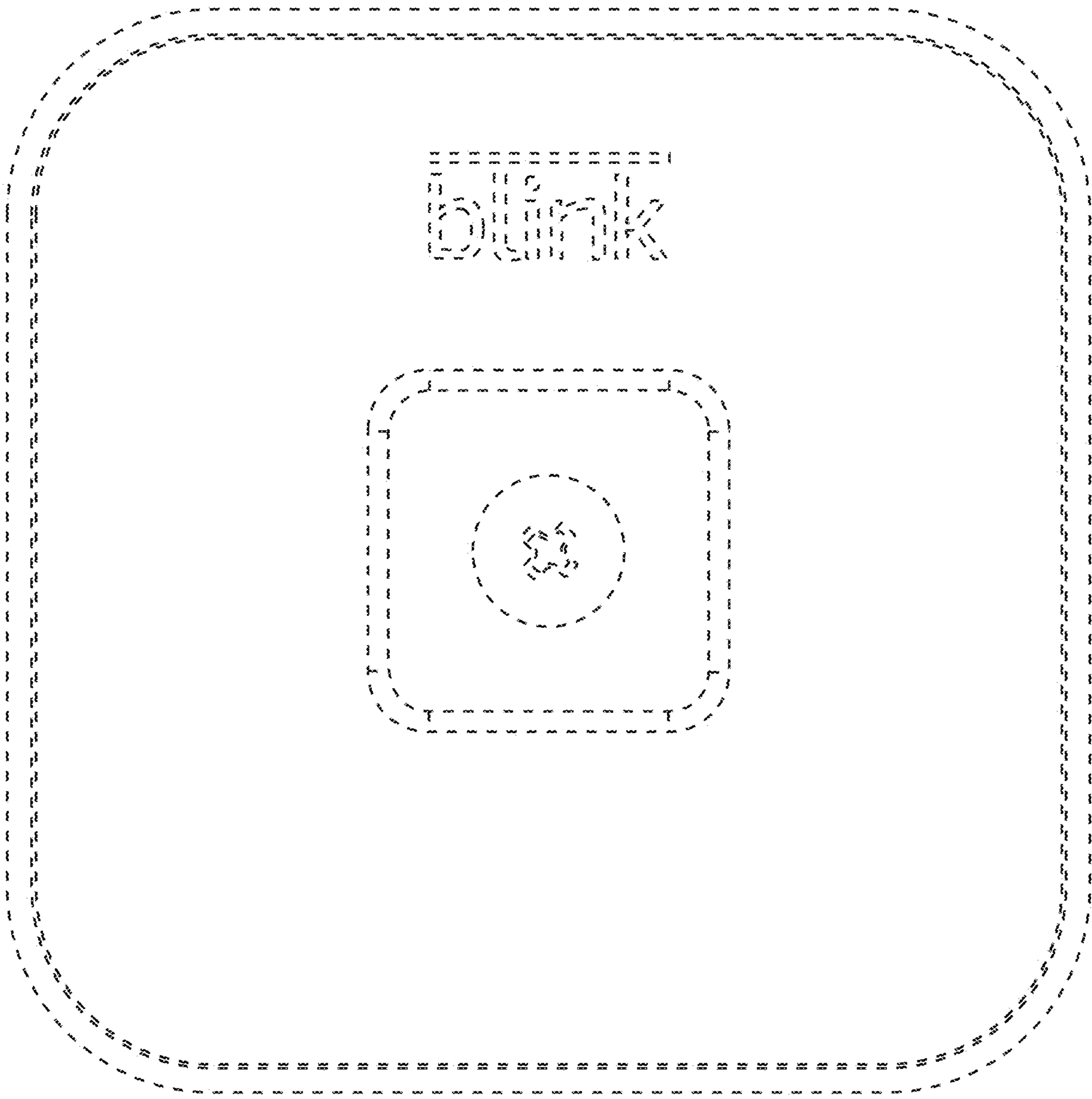


FIG. 4

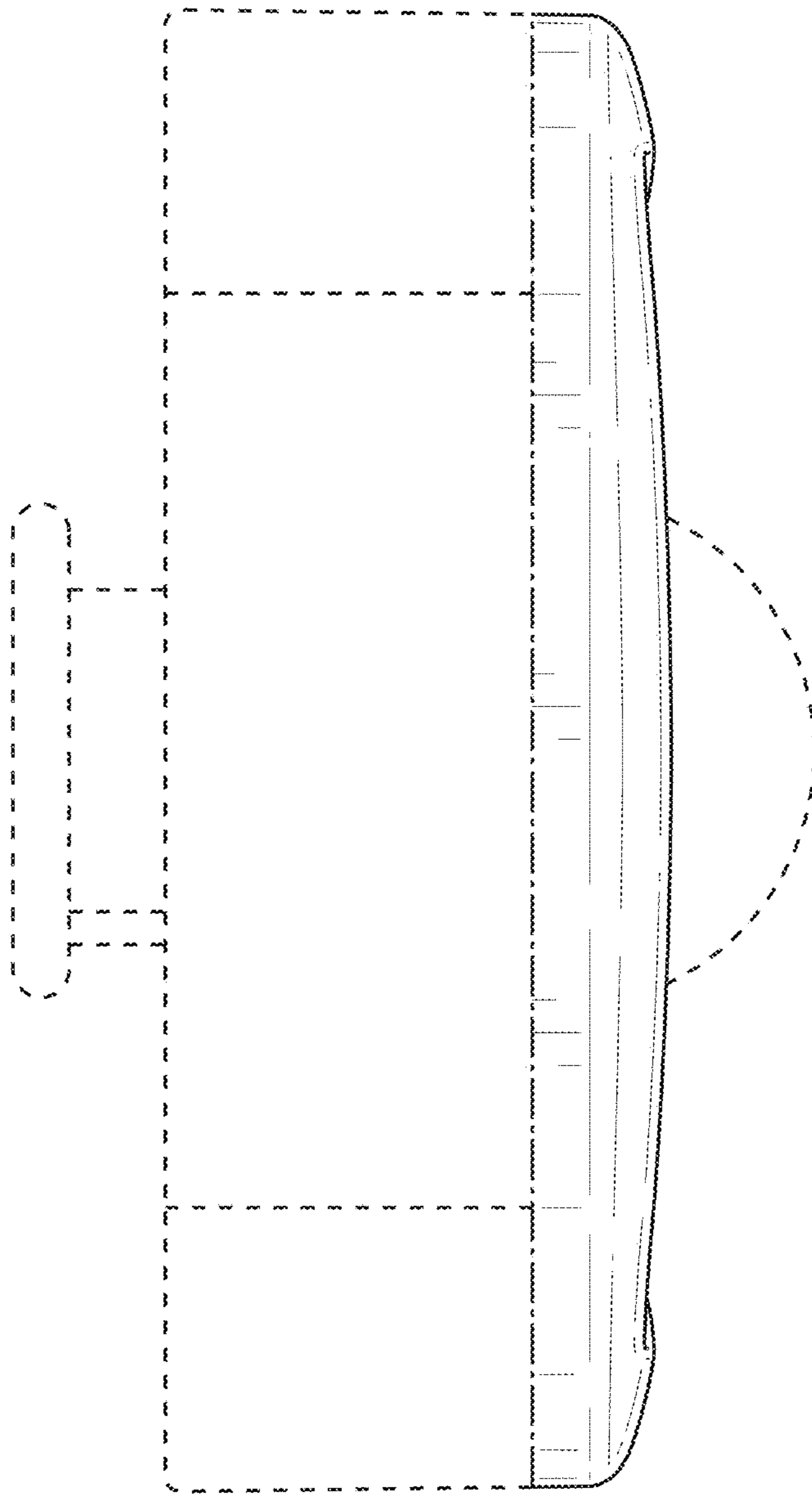


FIG. 5

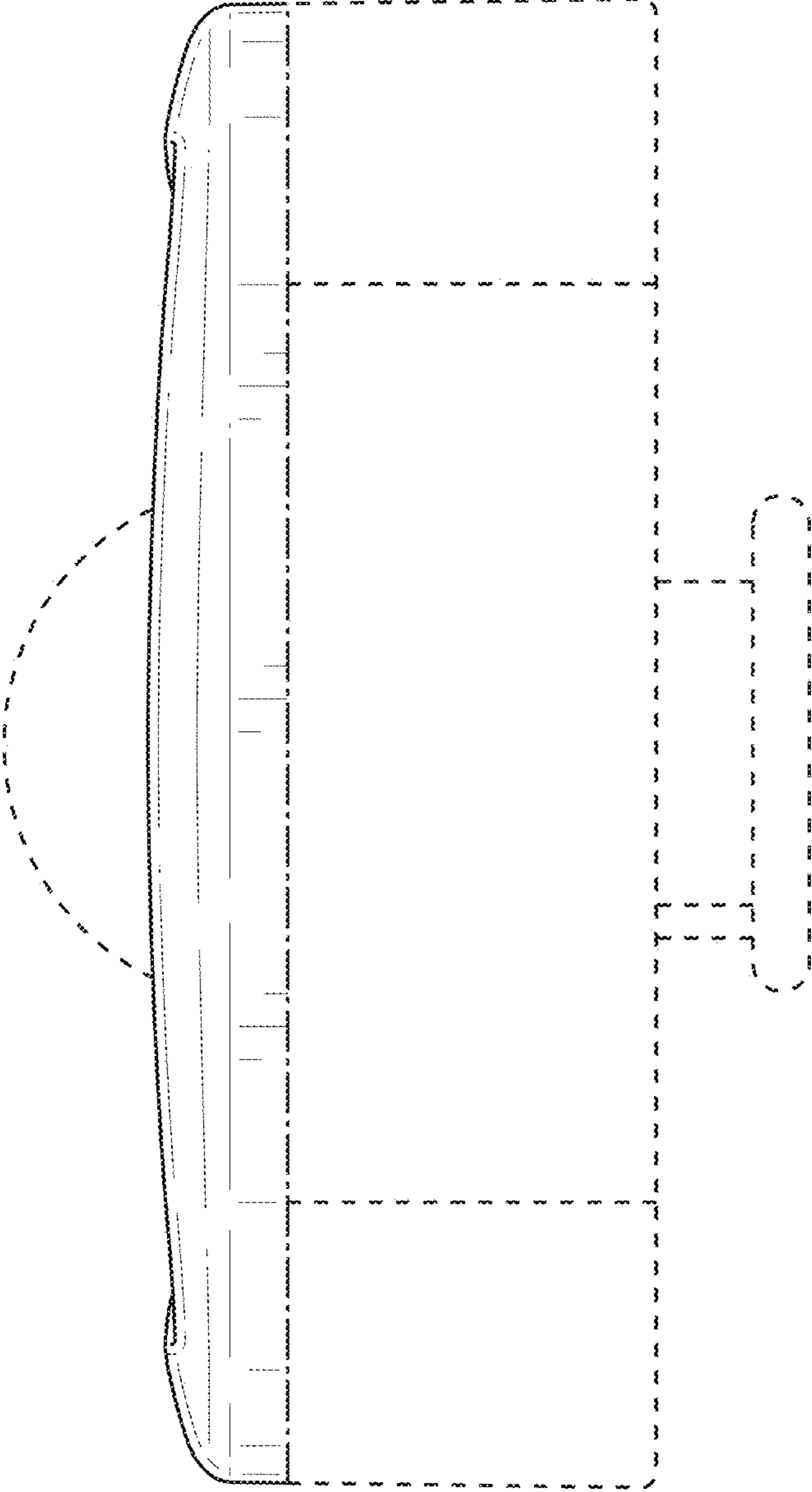


FIG. 6

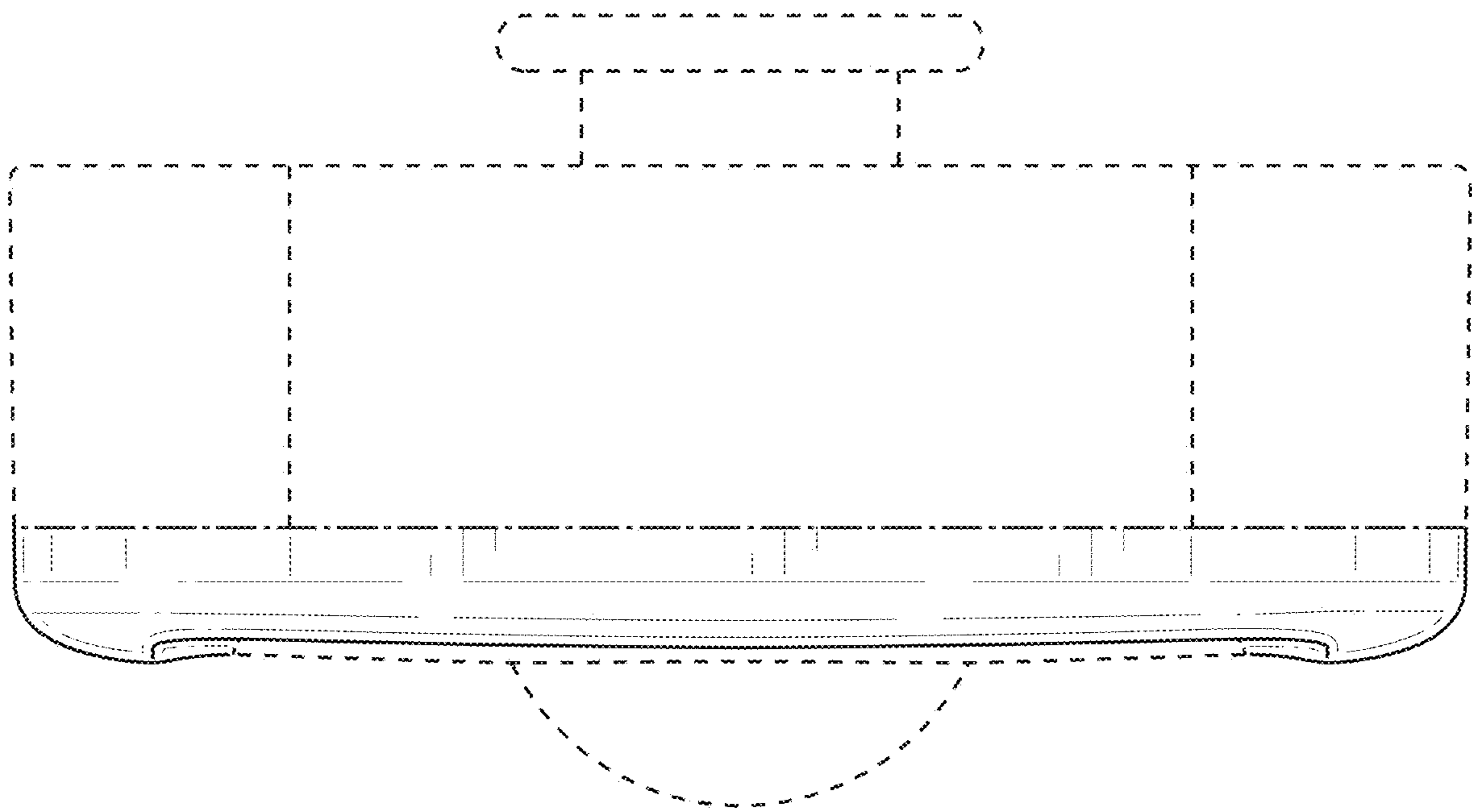


FIG. 7

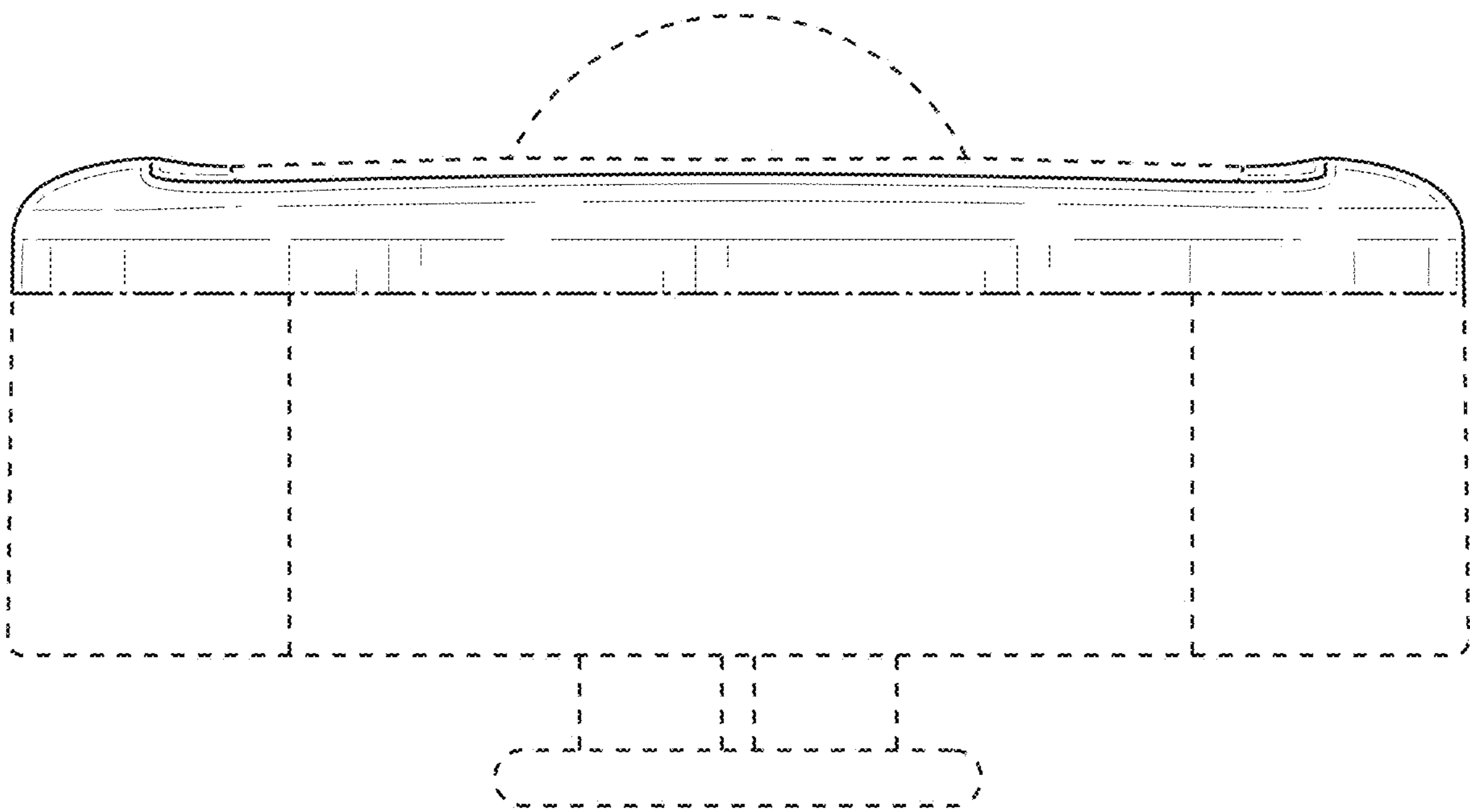


FIG. 8

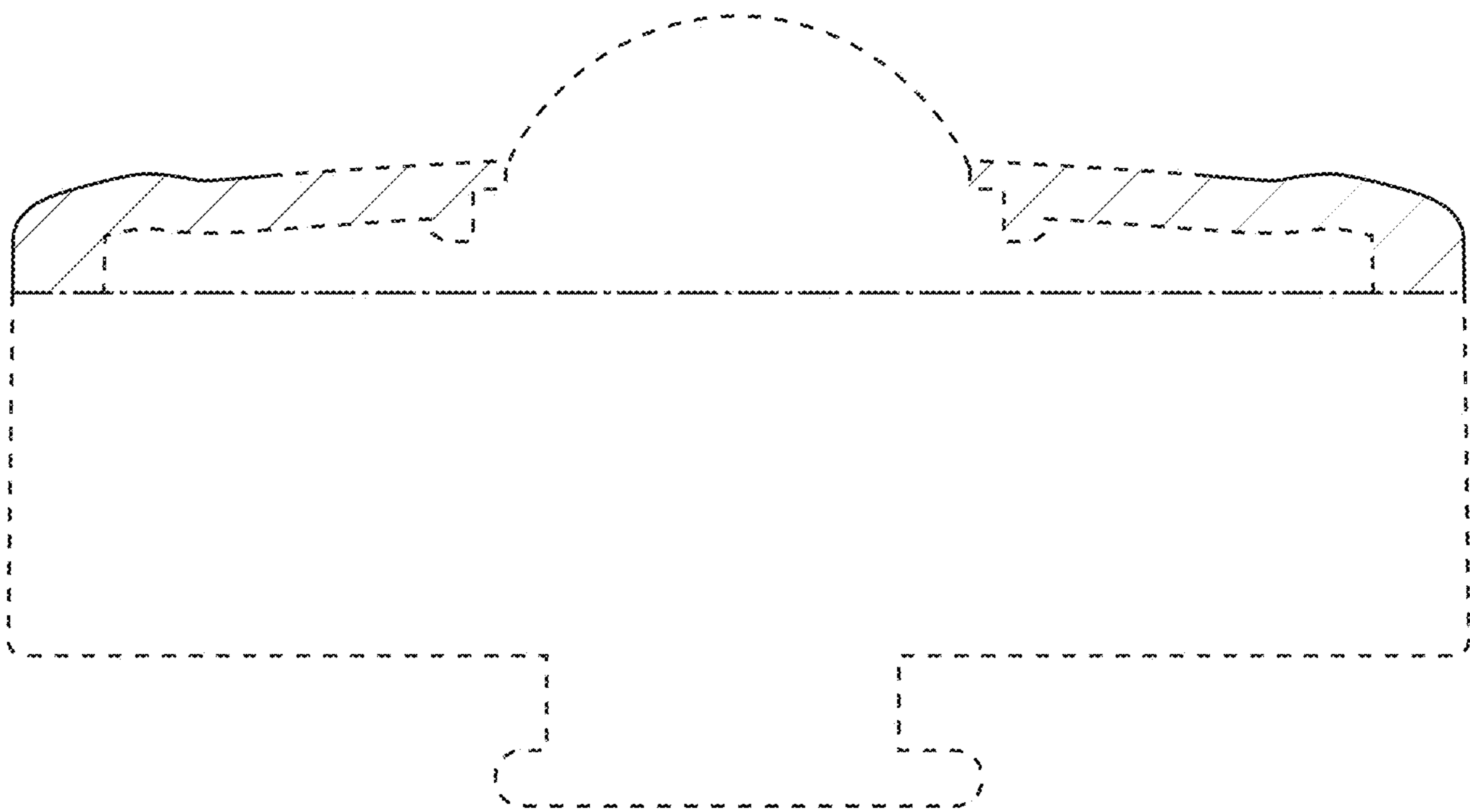


FIG. 9

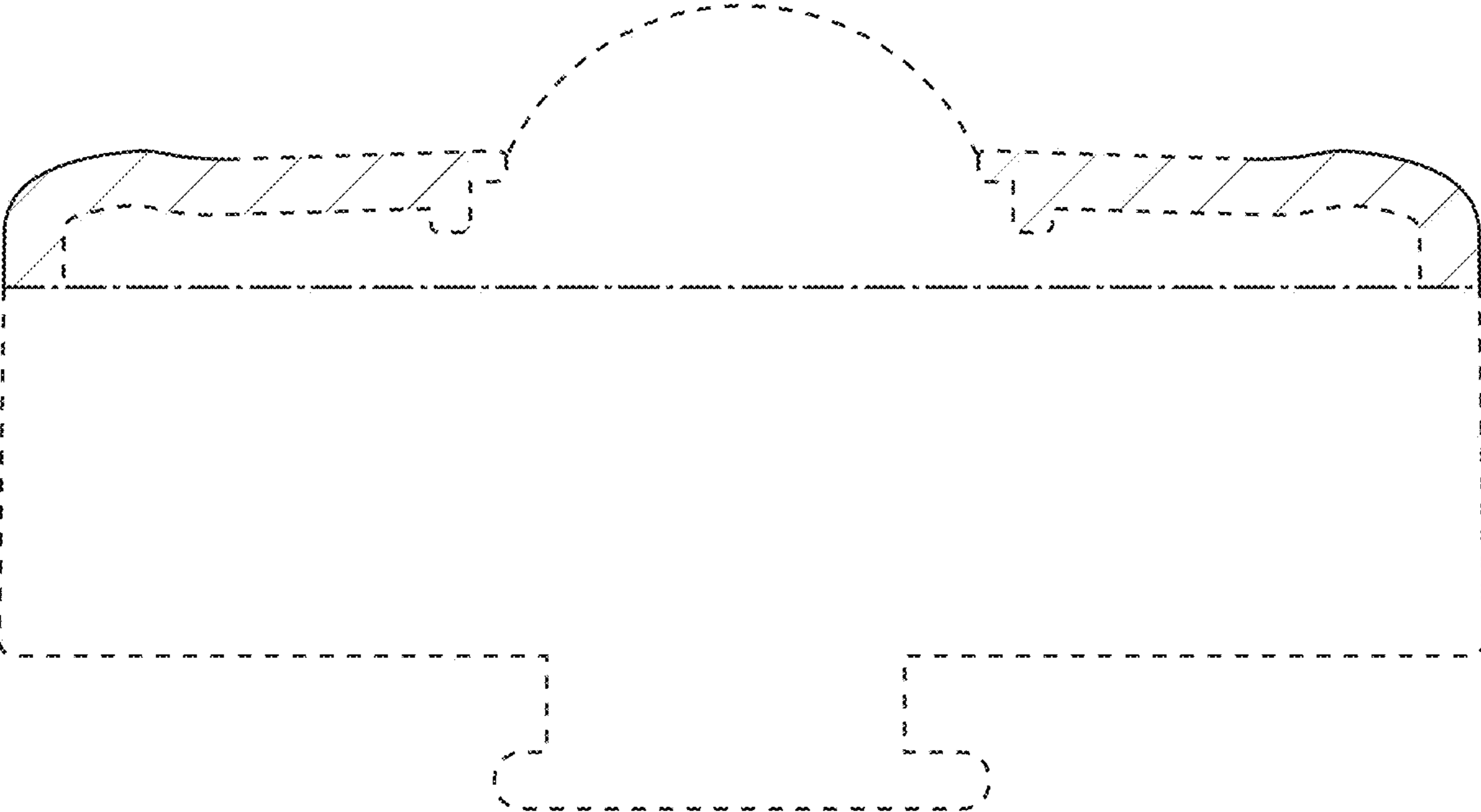


FIG. 10