

US00D942284S

(12) **United States Design Patent**  
**Burns et al.**

(10) **Patent No.:** **US D942,284 S**  
(45) **Date of Patent:** **\*\* Feb. 1, 2022**

(54) **MOTION SENSOR**

21/0269; G08B 21/0272; G08B 21/0275;  
G08B 21/0277; G08B 21/028; G08B  
(Continued)

(71) Applicant: **Amazon Technologies, Inc.**, Seattle,  
WA (US)

(72) Inventors: **Thomas Burns**, Boston, MA (US);  
**Mark Graziani**, Amesbury, MA (US);  
**Sunny Kim**, Woodbury, NY (US)

(73) Assignee: **Amazon Technologies, Inc.**, Seattle,  
WA (US)

(\*\*) Term: **15 Years**

(21) Appl. No.: **29/715,942**

(22) Filed: **Dec. 5, 2019**

**Related U.S. Application Data**

(62) Division of application No. 29/660,342, filed on Aug.  
20, 2018, now Pat. No. Des. 871,240.

(51) **LOC (13) Cl.** ..... **10-04**

(52) **U.S. Cl.**  
USPC ..... **D10/70**

(58) **Field of Classification Search**

USPC ..... D10/70, 106.6  
CPC .. G01P 13/00; G01P 13/0006; G01P 13/0013;  
G01P 13/002; G01P 13/0026; G01P  
13/0033; G01P 13/004; G01P 13/0046;  
G01P 13/0053; G01P 13/006; G01P  
13/0066; G01P 13/0073; G01P 13/008;  
G01P 13/0086; G01P 13/0093; G08B  
21/00; G08B 21/02; G08B 21/0202;  
G08B 21/0205; G08B 21/0208; G08B  
21/0211; G08B 21/0213; G08B 21/0216;  
G08B 21/0219; G08B 21/0222; G08B  
21/0225; G08B 21/0227; G08B 21/023;  
G08B 21/0233; G08B 21/0236; G08B  
21/0238; G08B 21/0241; G08B 21/0244;  
G08B 21/02047; G08B 21/025; G08B  
21/0252; G08B 21/0258; G08B 21/0261;  
G08B 21/0263; G08B 21/0266; G08B

(56) **References Cited**

**U.S. PATENT DOCUMENTS**

5,835,103 A \* 11/1998 Butler ..... G09G 5/42  
345/531  
D614,979 S \* 5/2010 McNames ..... D10/65  
(Continued)

*Primary Examiner* — Antoine Duval Davis

(74) *Attorney, Agent, or Firm* — Lee & Hayes, P.C.

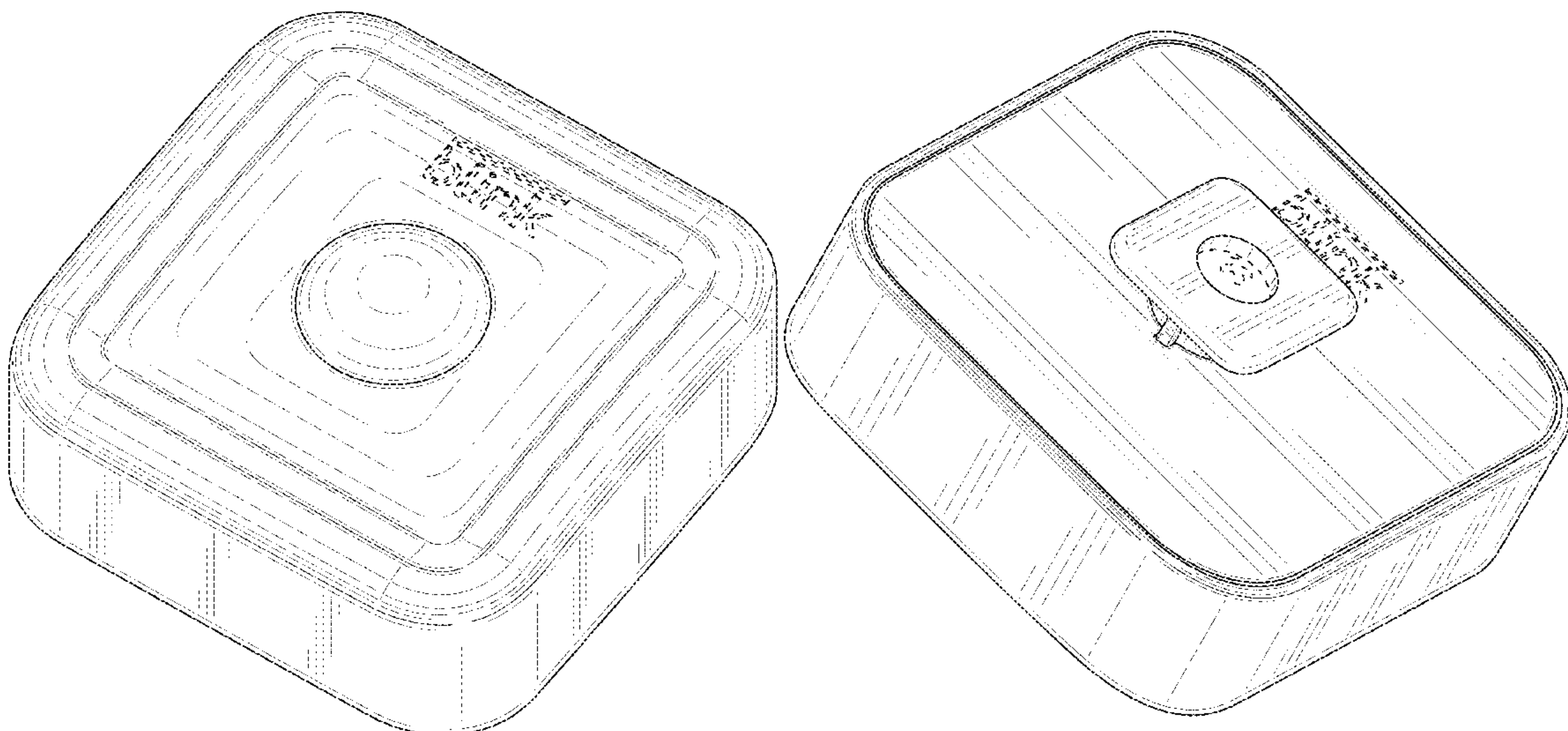
(57) **CLAIM**

The ornamental design for a motion sensor, as shown and  
described.

**DESCRIPTION**

FIG. 1 is a front, bottom, right-side perspective view of a  
motion sensor;  
FIG. 2 is a back, bottom, left-side perspective view thereof;  
FIG. 3 is a front elevation view thereof;  
FIG. 4 is a back elevation view thereof;  
FIG. 5 is a left-side elevation view thereof;  
FIG. 6 is a right-side elevation view thereof;  
FIG. 7 is a top plan view thereof;  
FIG. 8 is a bottom plan view thereof;  
FIG. 9 is a cross-sectional view of the motion sensor taken  
along the line 9-9 shown in FIG. 3. No claim is made to the  
internal features of the motion sensor and/or thickness of the  
housing of the motion sensor; and,  
FIG. 10 is a cross-sectional view of the motion sensor taken  
along the line 10-10 shown in FIG. 3. No claim is made to  
the internal features of the motion sensor and/or thickness of  
the housing of the motion sensor.  
The dashed broken lines depict portions of the motion sensor  
that form no part of the claimed design.

**1 Claim, 10 Drawing Sheets**



(58) **Field of Classification Search**

CPC ..... 21/0283; G08B 21/0286; G08B 21/0288;  
 G08B 21/0291; G08B 21/0194; G08B  
 21/0297; G08B 21/04; G08B 21/0407;  
 G08B 21/0415; G08B 21/0423; G08B  
 21/043; G08B 21/0438; G08B 21/0446;  
 G08B 21/0453; G08B 21/0461; G08B  
 21/0469; G08B 21/0476; G08B 21/0484;  
 G08B 21/0492; G08B 21/06; G08B  
 21/08; G08B 21/082; G08B 21/084;  
 G08B 21/086; G08B 21/088; G08B  
 21/10; G08B 21/12; G08B 21/14; G08B  
 21/16; G08B 21/18; G08B 21/182; G08B  
 21/185; G08B 21/187; G08B 21/20;  
 G08B 21/22; G08B 21/24; G08B 21/245;  
 G08B 23/00; G08B 13/00; G08B 13/02;  
 G08B 13/04; G08B 13/06; G08B 13/08;  
 G08B 13/10; G08B 13/12; G08B 13/122;  
 G08B 13/124; G08B 13/126; G08B  
 13/028; G08B 13/14; G08B 13/1409;  
 G08B 13/1418; G08B 13/1427; G08B  
 13/1436; G08B 13/1445; G08B 13/1454;  
 G08B 13/1463; G08B 13/1472; G08B  
 13/1481; G08B 13/149; G08B 13/16;  
 G08B 13/1609; G08B 13/1618; G08B  
 13/1627; G08B 13/1636; G08B 13/1645;  
 G08B 13/1654; G08B 13/1663; G08B  
 13/1672; G08B 13/1681; G08B 13/169;  
 G08B 13/18; G08B 13/181; G08B  
 13/183; G08B 13/184; G08B 13/186;  
 G08B 13/187; G08B 13/189; G08B  
 13/1895; G08B 13/19; G08B 13/191;  
 G08B 13/193; G08B 13/194; G08B  
 13/196; G08B 13/19602; G08B 13/19604;  
 G08B 13/19606; G08B 13/19608; G08B  
 13/1961; G08B 13/19613; G08B  
 13/19615; G08B 13/19617; G08B  
 13/19619; G08B 13/19621; G08B  
 13/19623; G08B 13/19626; G08B  
 13/19628; G08B 13/1963; G08B  
 13/19632; G08B 13/19634; G08B  
 13/19636; G08B 13/19639; G08B  
 13/19641; G08B 13/19643; G08B  
 13/19645; G08B 13/19647; G08B

13/1965; G08B 13/19652; G08B  
 13/19654; G08B 13/19656; G08B  
 13/19658; G08B 13/1966; G08B  
 13/19663; G08B 13/19665; G08B  
 13/19667; G08B 13/19669; G08B  
 13/19671; G08B 13/19673; G08B  
 13/19676; G08B 13/19678; G08B  
 13/1968; G08B 13/19682; G08B  
 13/19684; G08B 13/19686; G08B  
 13/19689; G08B 13/19691; G08B  
 13/19693; G08B 13/19695; G08B  
 13/19697; G08B 13/20; G08B 13/22;  
 G08B 13/24; G08B 13/2402; G08B  
 13/2405; G08B 13/2408; G08B 13/2411;  
 G08B 13/2414; G08B 13/2417; G08B  
 13/242; G08B 13/2422; G08B 31/2425;  
 G08B 13/2428; G08B 13/2431; G08B  
 13/2434; G08B 13/2437; G08B 13/244;  
 G08B 13/2442; G08B 13/2445; G08B  
 13/2448; G08B 13/2451; G08B 13/2454;  
 G08B 13/2457; G08B 13/246; G08B  
 13/2462; G08B 13/2465; G08B 13/2468;  
 G08B 13/2471; G08B 13/2474; G08B  
 13/2477; G08B 13/248; G08B 13/2482;  
 G08B 13/2485; G08B 13/2488; G08B  
 13/2491; G08B 13/2494; G08B 13/2497;  
 G08B 13/26

See application file for complete search history.

(56)

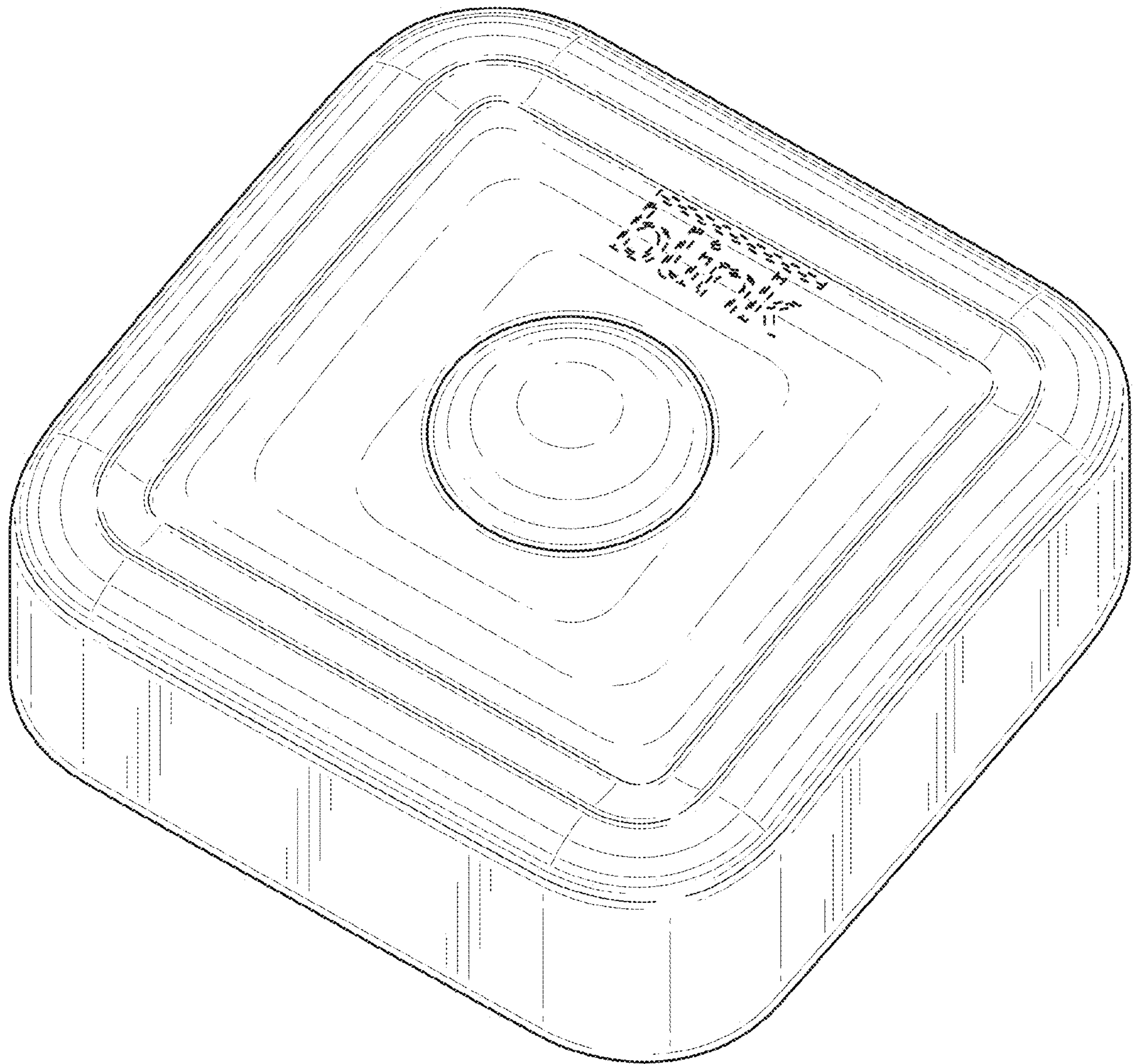
**References Cited**

U.S. PATENT DOCUMENTS

8,436,731 B2 \* 5/2013 Davis ..... G08B 13/1436  
 340/540  
 D683,634 S \* 6/2013 Hayakawa ..... D10/46  
 D693,248 S \* 11/2013 Anderssen ..... D10/65  
 D693,249 S \* 11/2013 Anderssen ..... D10/65  
 D778,185 S \* 2/2017 Ookawa ..... D10/70  
 D825,359 S \* 8/2018 Lee ..... D10/70  
 D842,724 S \* 3/2019 Vandebussche ..... D10/70  
 D843,862 S \* 3/2019 Bellows ..... D10/70  
 D850,627 S \* 6/2019 Purani ..... D24/186  
 D858,321 S \* 9/2019 Recker ..... D10/70  
 D876,253 S \* 2/2020 Fagnot ..... D10/70  
 D881,047 S \* 4/2020 Recker ..... D10/70

\* cited by examiner

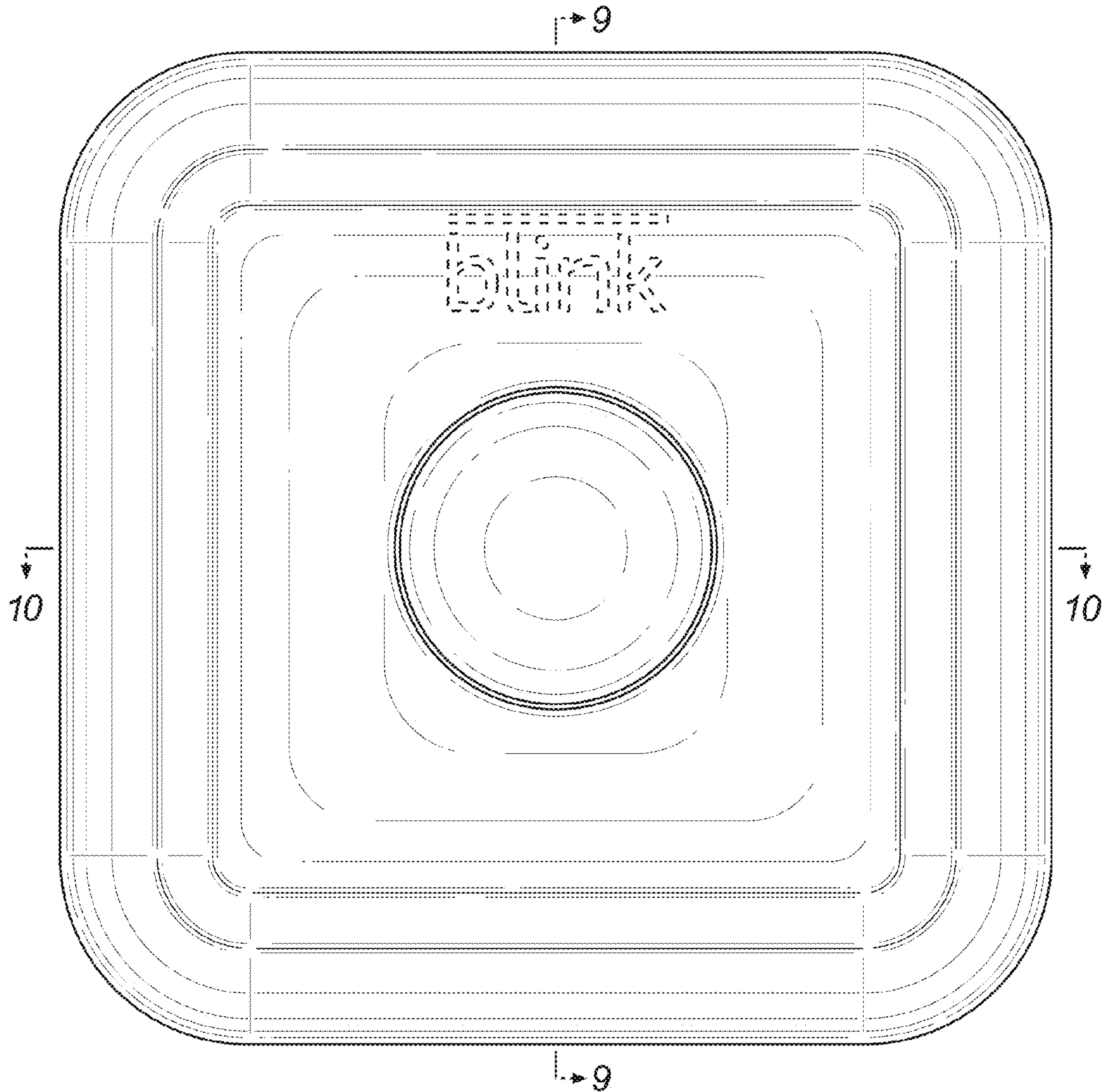




**FIG. 1**

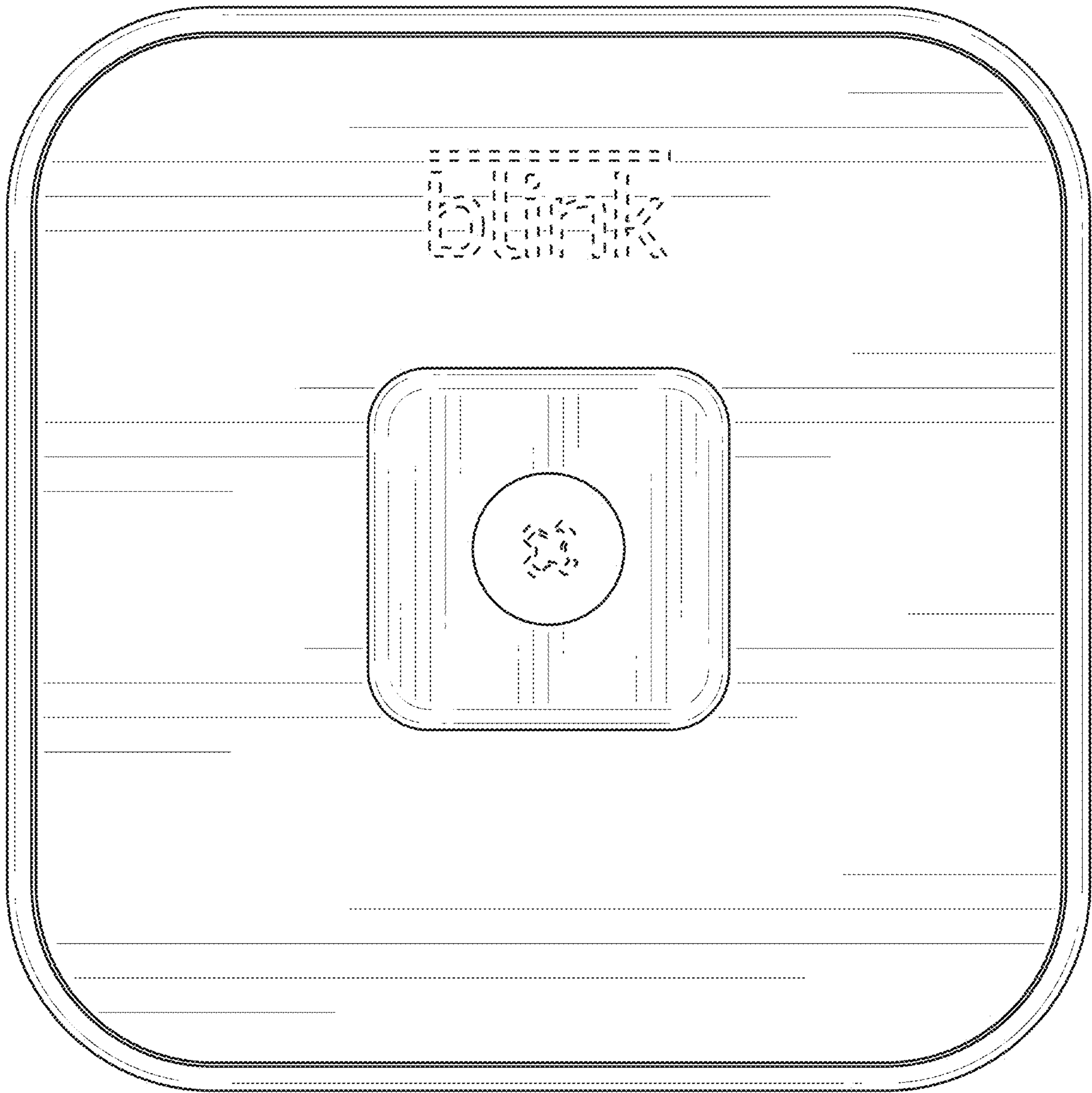


**FIG. 2**

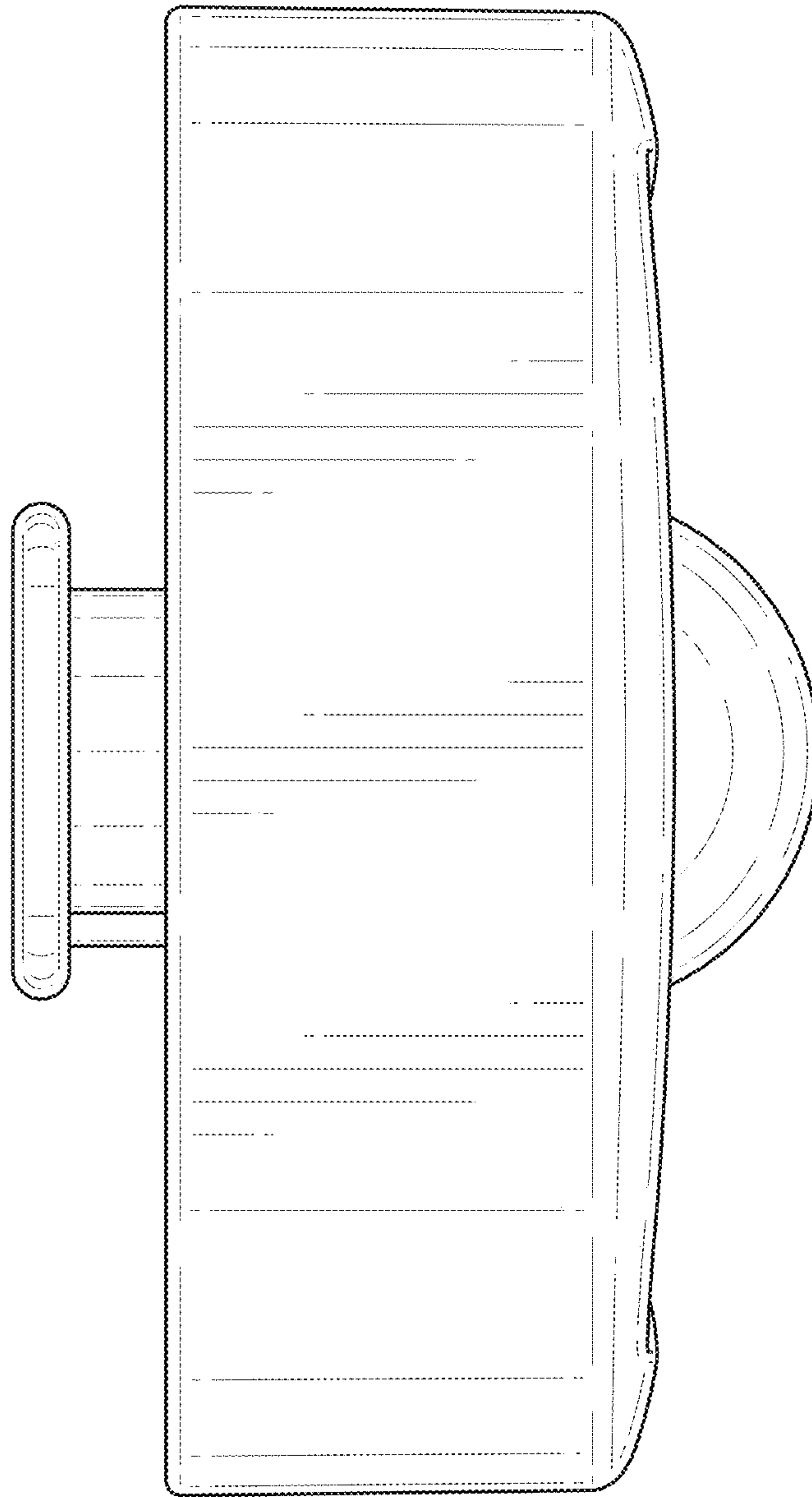


**FIG. 3**

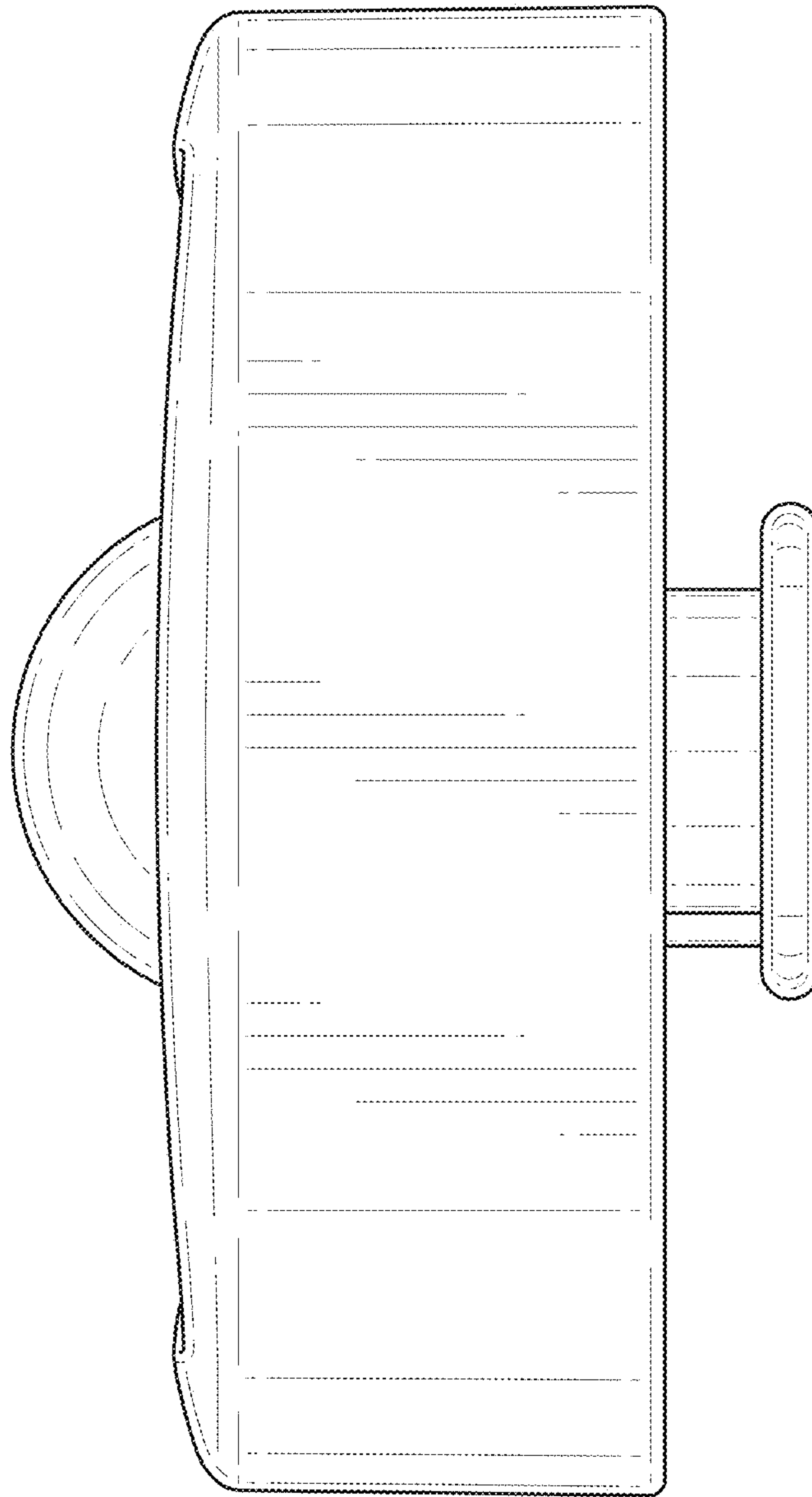




**FIG. 4**

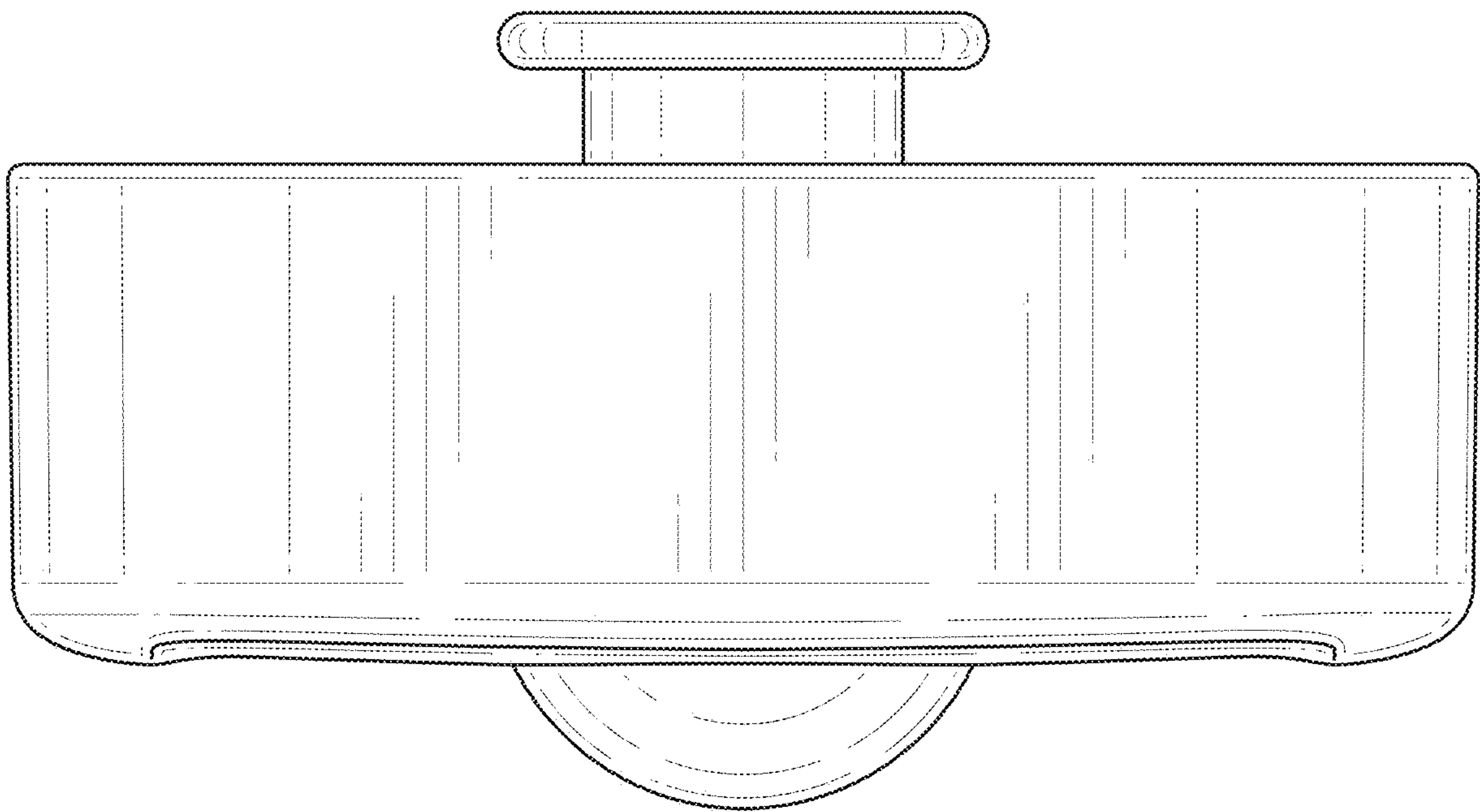


**FIG. 5**

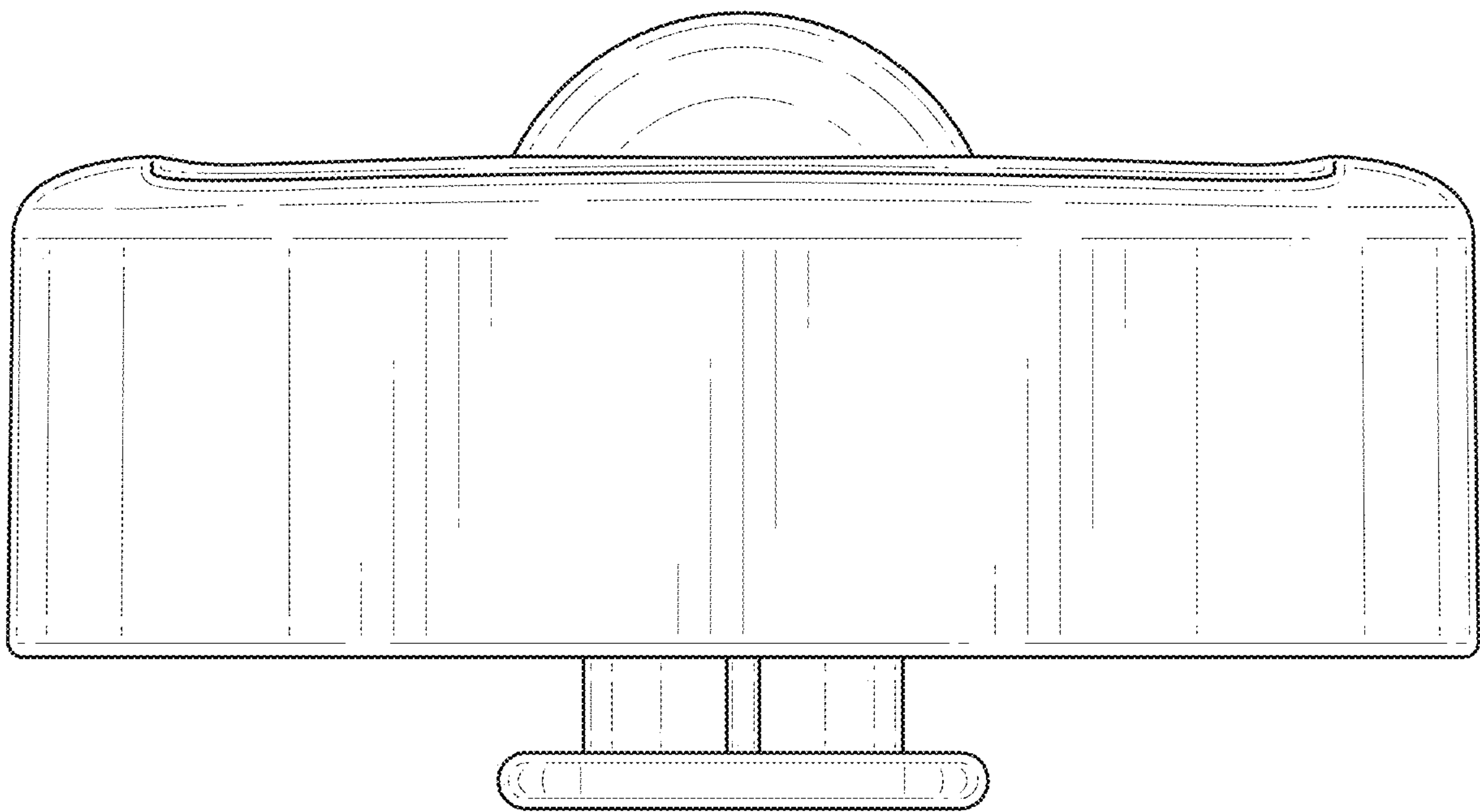


**FIG. 6**

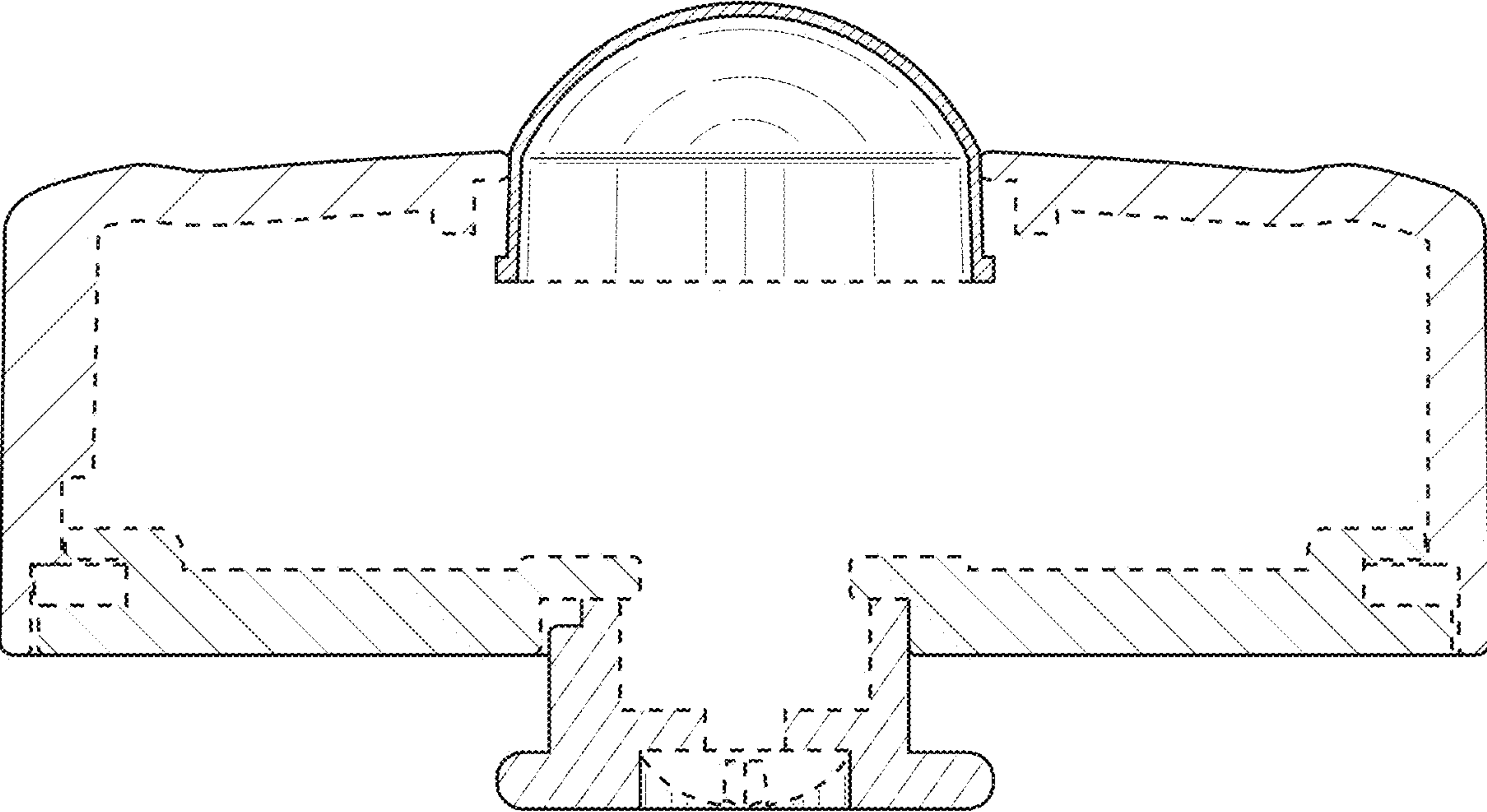




**FIG. 7**

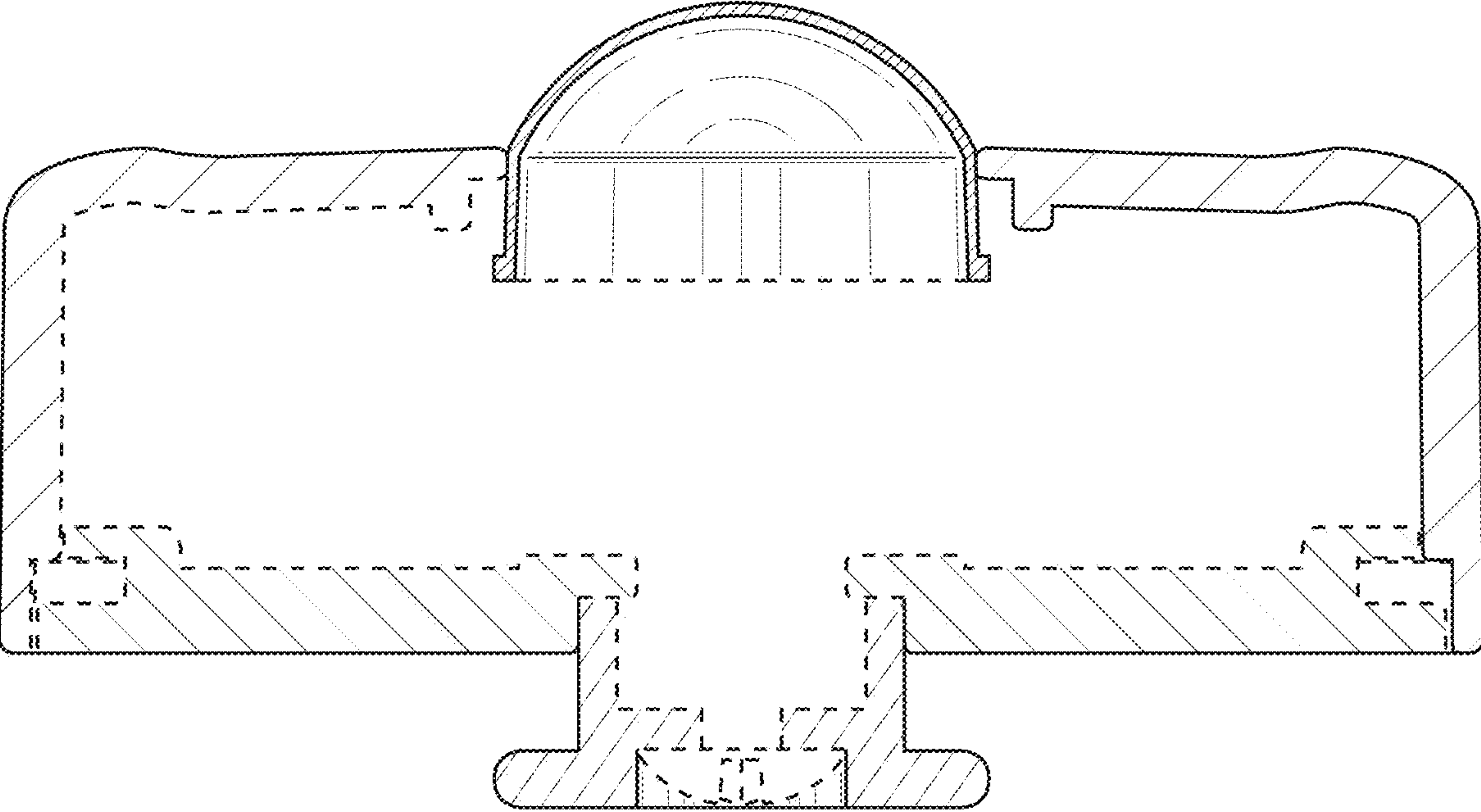


**FIG. 8**



**FIG. 9**





**FIG. 10**