



US00D942283S

(12) **United States Design Patent** (10) **Patent No.:** **US D942,283 S**
Anno et al. (45) **Date of Patent:** **** Feb. 1, 2022**

- (54) **REMOTE CONTROLLER FOR AIR CONDITIONER** D563,805 S * 3/2008 Miyazato D10/65
7,567,212 B2 * 7/2009 Inoue H01Q 1/08
343/702
- (71) Applicant: **FUJITSU GENERAL LIMITED,** D643,318 S * 8/2011 Morrow D10/50
Kawasaki (JP) D645,365 S * 9/2011 Abduelal D10/65
D648,642 S * 11/2011 Wallaert D10/50
- (72) Inventors: **Hiroki Anno,** Kawasaki (JP); **Masaaki** D678,084 S * 3/2013 Beland D10/50
Miyata, Kawasaki (JP) D702,227 S * 4/2014 Washiyama D14/341
D733,591 S * 7/2015 Golden D10/50
D744,433 S * 12/2015 Baumgartner D13/162
D772,864 S * 11/2016 Musch D14/341
- (73) Assignee: **FUJITSU GENERAL LIMITED,** D882,528 S * 4/2020 Fariello D13/162
Kawasaki (JP) D894,021 S * 8/2020 Smith D10/50
D907,633 S * 1/2021 Li D14/358
- (**) Term: **15 Years** 2004/0245352 A1 * 12/2004 Smith G05D 23/1904
236/94
- (21) Appl. No.: **29/734,654** 2010/0171889 A1 * 7/2010 Pantel G02F 1/133308
349/1
- (22) Filed: **May 14, 2020** 2014/0300567 A1 * 10/2014 Inata G06F 3/016
345/173

- (30) **Foreign Application Priority Data**
- Nov. 18, 2019 (JP) 2019-025519
- (51) **LOC (13) Cl.** **10-04**
- (52) **U.S. Cl.**
- USPC **D10/60; D14/218**
- (58) **Field of Classification Search**
- USPC D10/52, 15, 50, 60, 57, 75, 69, 56, 65,
D10/81, 78, 66; D14/307, 130, 218;
D16/130; D13/118, 110, 108; 307/11;
D24/217, 163
- CPC ... G01C 1/00; G01C 1/14; G01C 1/06; G01C
3/08; G01C 15/008; G01S 7/4817; G01S
7/4808; G01S 17/08; G01S 17/42; H05K
5/00; H05K 5/02; H05K 5/0247; H05K
7/00; H05K 7/20; H05K 7/20136; H05K
7/20154; H05K 7/209; H02M 7/00;
H02M 7/003; H02M 2001/009; H02J
7/0042; Y10T 307/367
- See application file for complete search history.

- (56) **References Cited**
- U.S. PATENT DOCUMENTS**
- D491,560 S * 6/2004 Hsu Li D14/371
- D532,791 S * 11/2006 Kim D14/203.7

* cited by examiner

Primary Examiner — L. A. Grabenstetter
Assistant Examiner — Antoinette Martine Suiter
(74) *Attorney, Agent, or Firm* — Sughrue Mion, PLLC

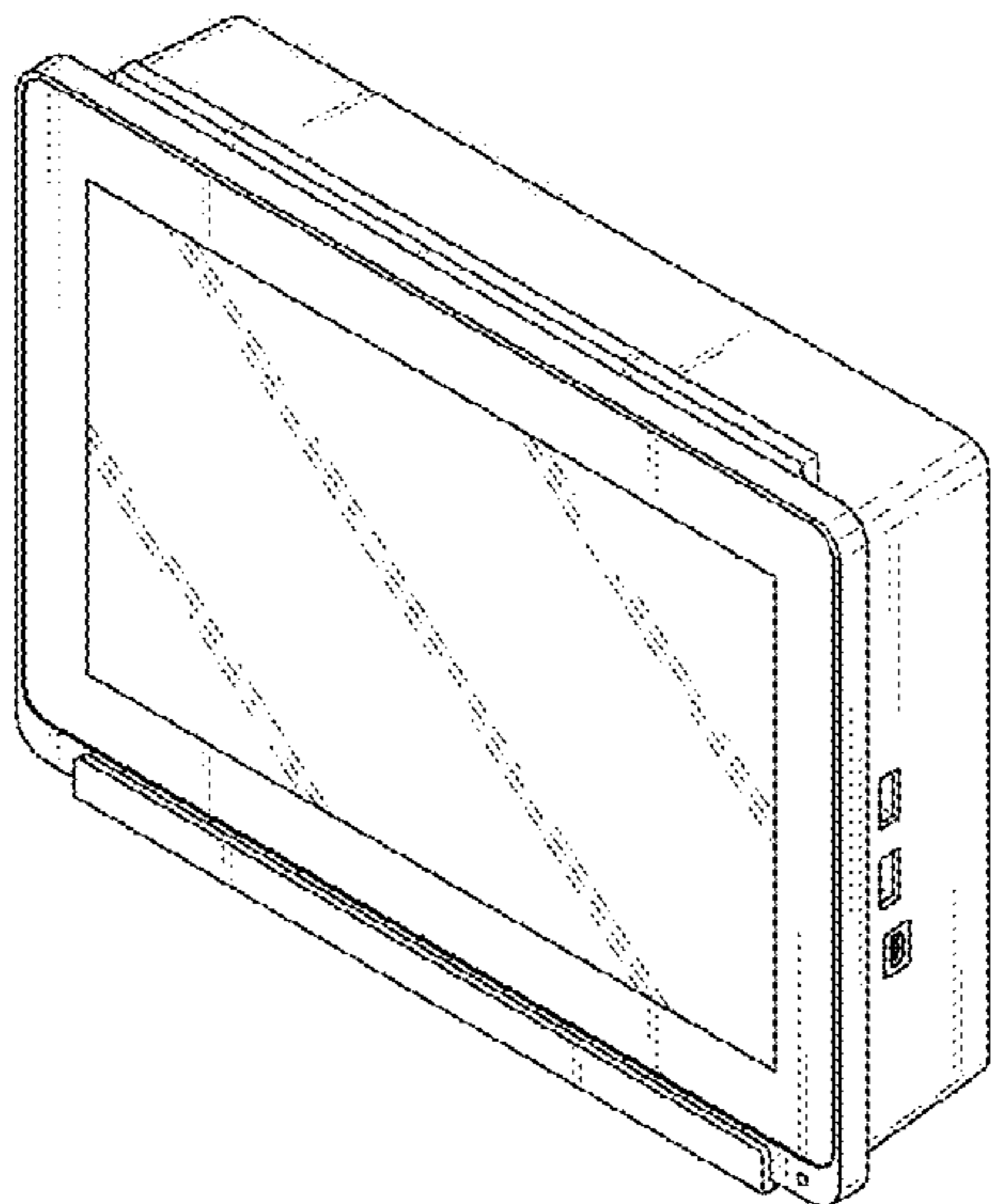
(57) **CLAIM**

The ornamental design for a remote controller for air conditioner, as shown and described.

DESCRIPTION

FIG. 1 is a perspective view of a remote controller for air conditioner showing our new design;
FIG. 2 is a front view thereof;
FIG. 3 is a rear view thereof;
FIG. 4 is a left side view thereof;
FIG. 5 is a right side view thereof;
FIG. 6 is a top view thereof; and,
FIG. 7 is a bottom view thereof.

1 Claim, 5 Drawing Sheets



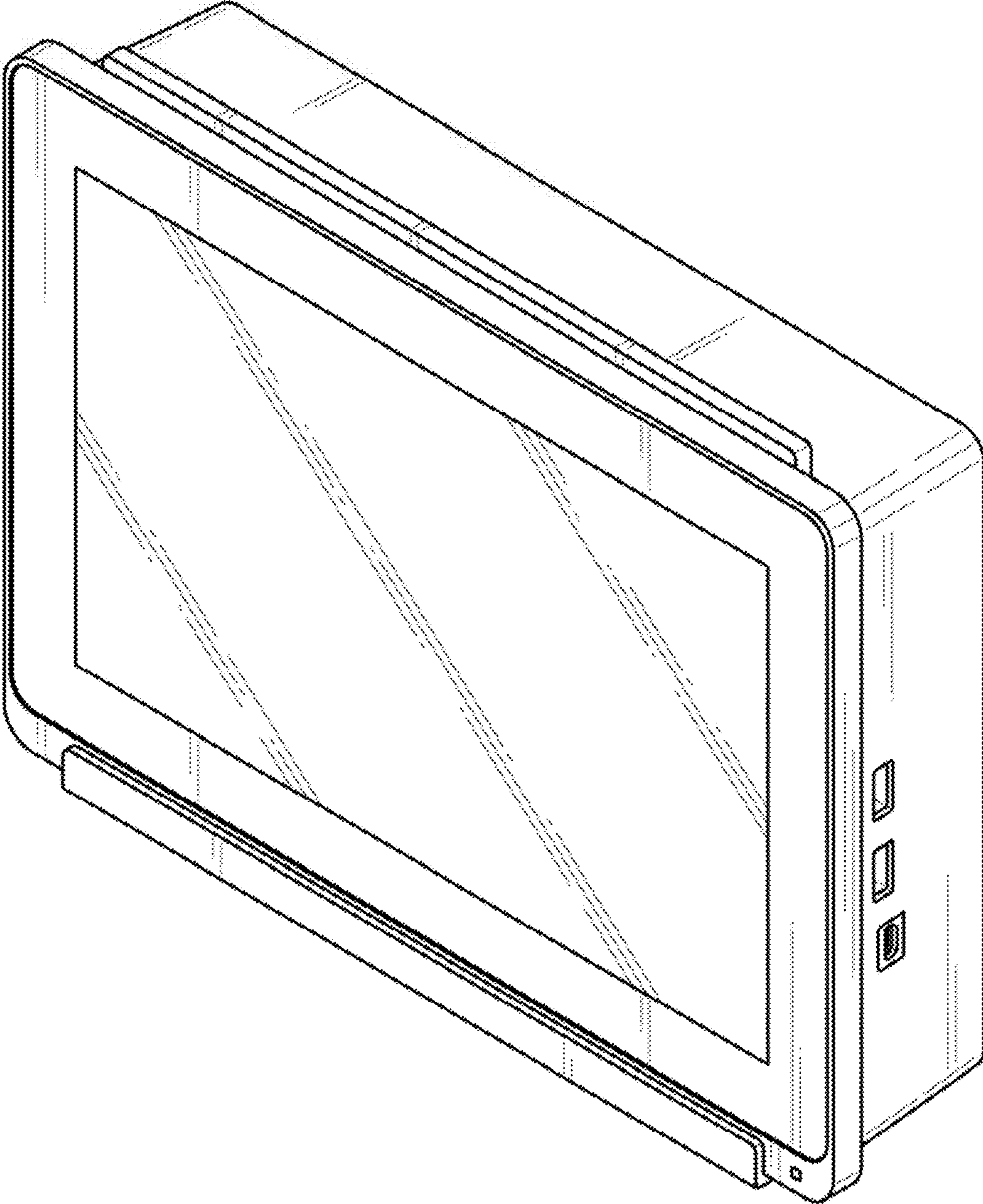


FIG. 1

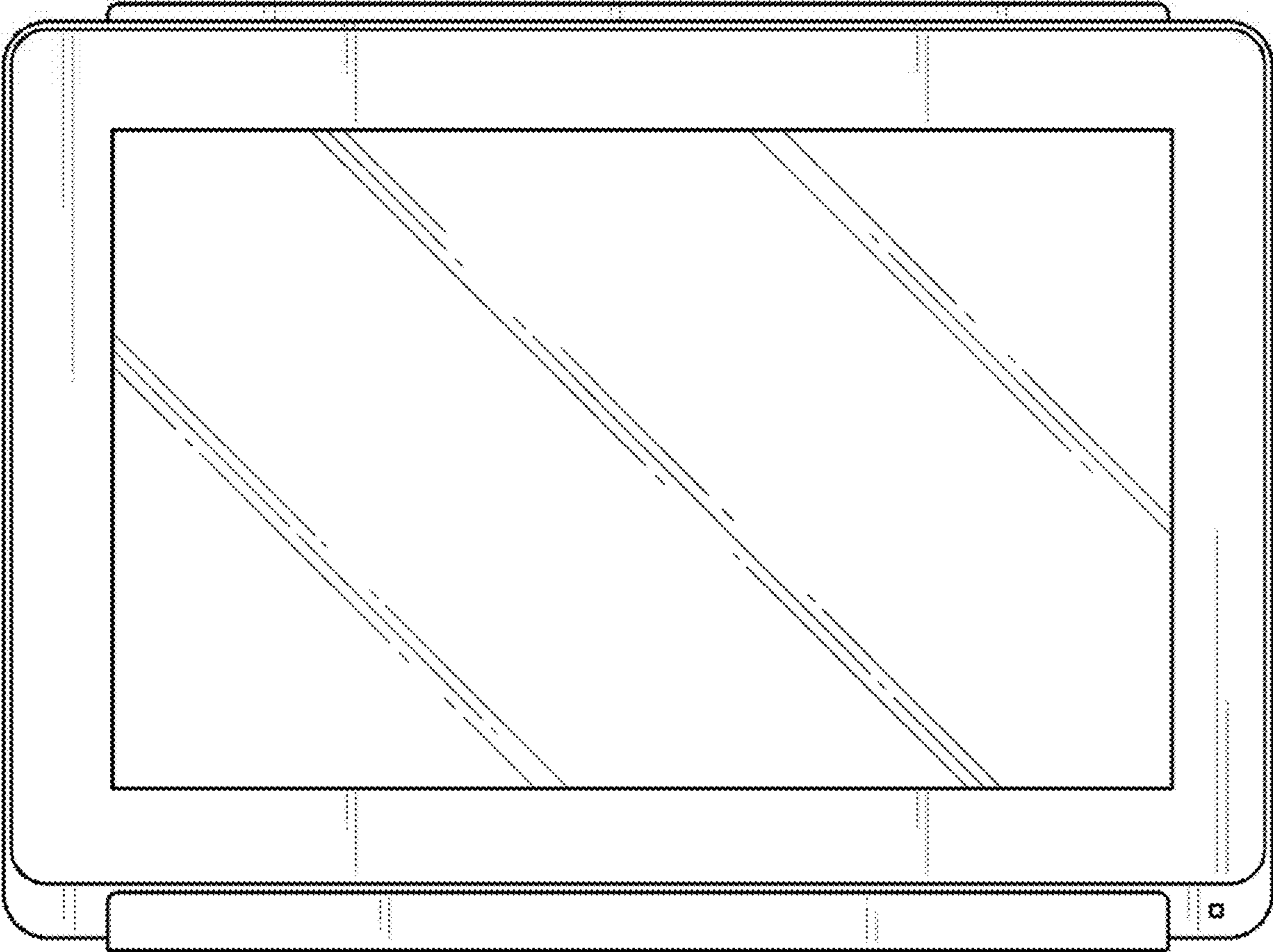


FIG. 2

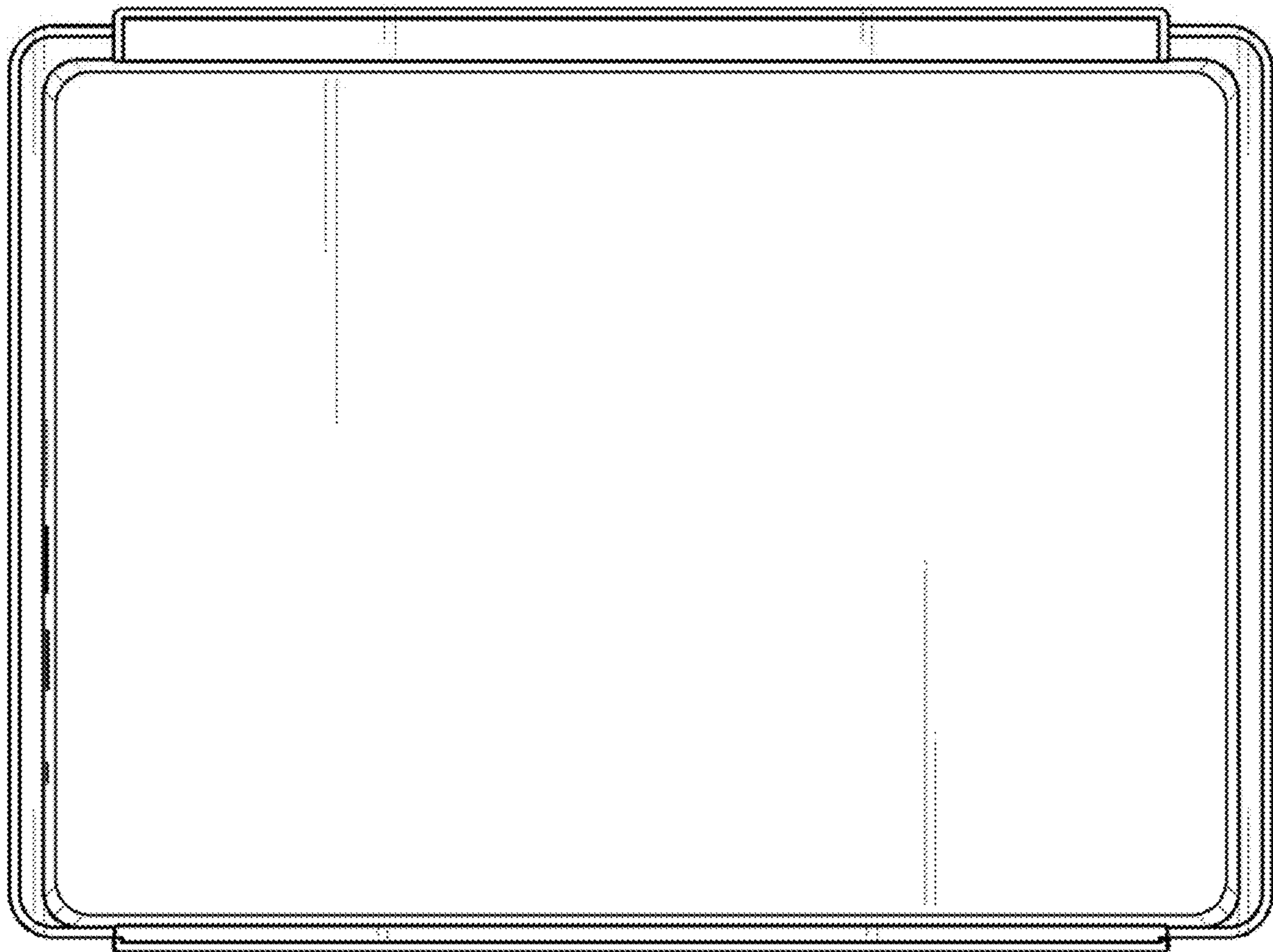


FIG. 3

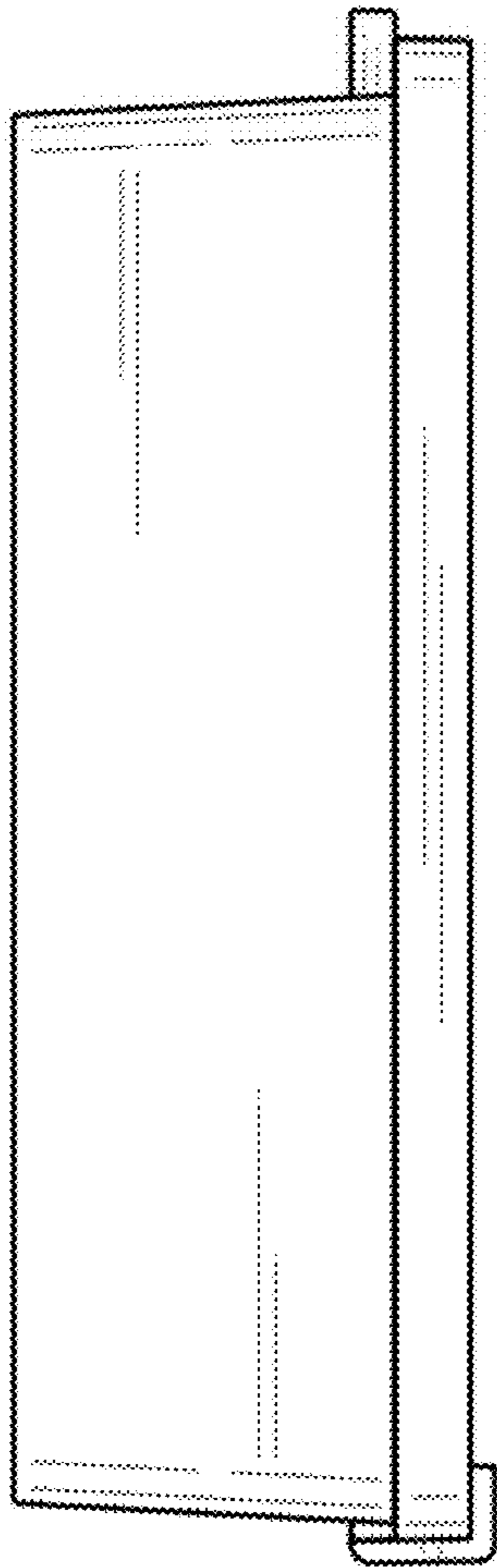


FIG. 4

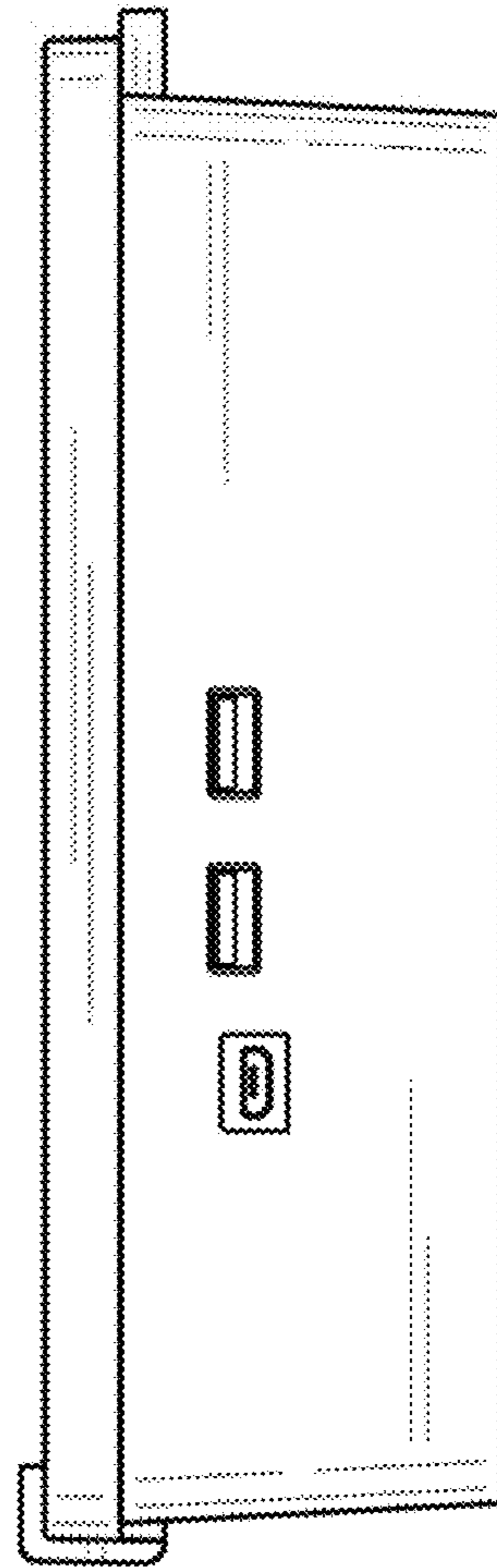


FIG. 5

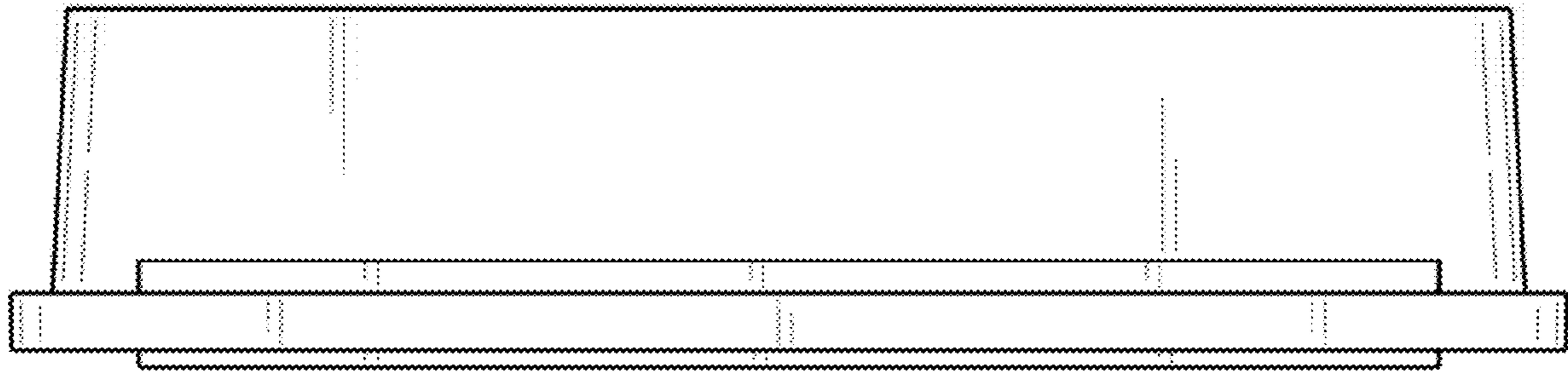


FIG. 6

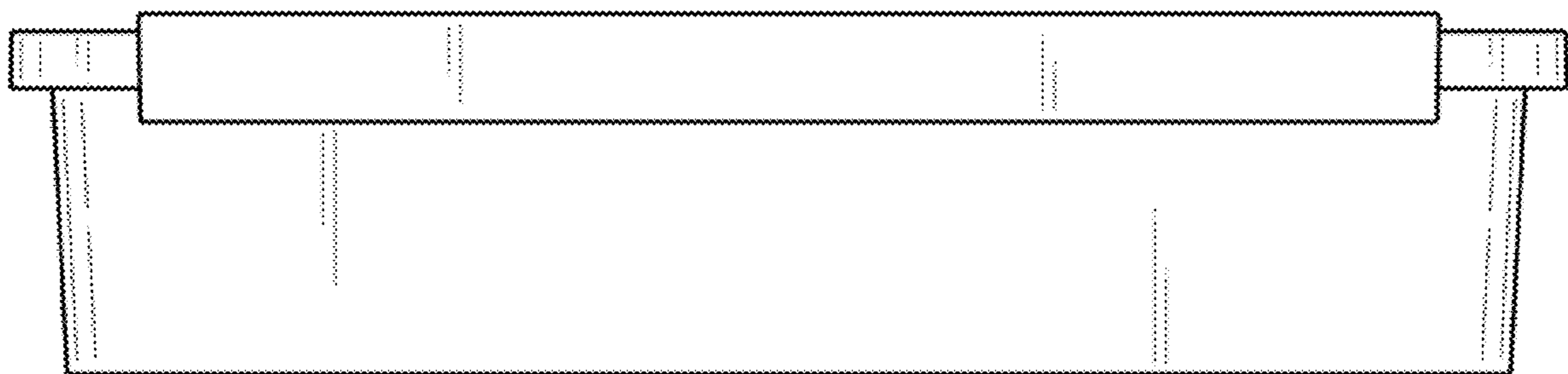


FIG. 7