



US00D942281S

(12) **United States Design Patent**
Kim et al.

(10) **Patent No.:** **US D942,281 S**
(45) **Date of Patent:** **** Feb. 1, 2022**

(54) **AIR QUALITY MONITORING DEVICE**

D742,263 S * 11/2015 Thiele D10/81
D768,012 S * 10/2016 Kim D10/52
D790,367 S * 6/2017 Krafft D10/52

(71) Applicant: **Bitfinder, Inc.**, San Francisco, CA (US)

(72) Inventors: **Bosung Kim**, Palo Alto, CA (US);
Dukhyun Yun, Seoul (KR); **Kevin Cho**, Pleasanton, CA (US); **Ronald Ro**, Sunnyvale, CA (US)

(73) Assignee: **Bitfinder, Inc.**, San Francisco, CA (US)

(**) Term: **15 Years**

(21) Appl. No.: **29/719,182**

(22) Filed: **Dec. 31, 2019**

(51) **LOC (13) Cl.** **10-04**

(52) **U.S. Cl.**

USPC **D10/52**

(58) **Field of Classification Search**

USPC D10/52, 53, 81
CPC G01N 1/22-2294; G01N 2001/2217-2297;
G01N 25/56; G01N 27/122; G01N
33/004-0075; H04B 17/23

See application file for complete search history.

(56) **References Cited**

U.S. PATENT DOCUMENTS

7,511,809 B2 * 3/2009 Schneider G01N 1/2273
356/301
D734,187 S * 7/2015 Nakajima D10/81

OTHER PUBLICATIONS

Awair 2nd Edition YouTube <https://www.youtube.com/watch?v=wHNqPbrlpMM> Posted Oct. 8, 2018 (Year: 2018).
Awair Element monitors air quality for your smart home 9to5Toys <https://9to5toys.com/2019/11/20/awair-element/> Posted Nov. 20, 2019 (Year: 2019).*

* cited by examiner

Primary Examiner — Leanne Was-Englehart

(57) **CLAIM**

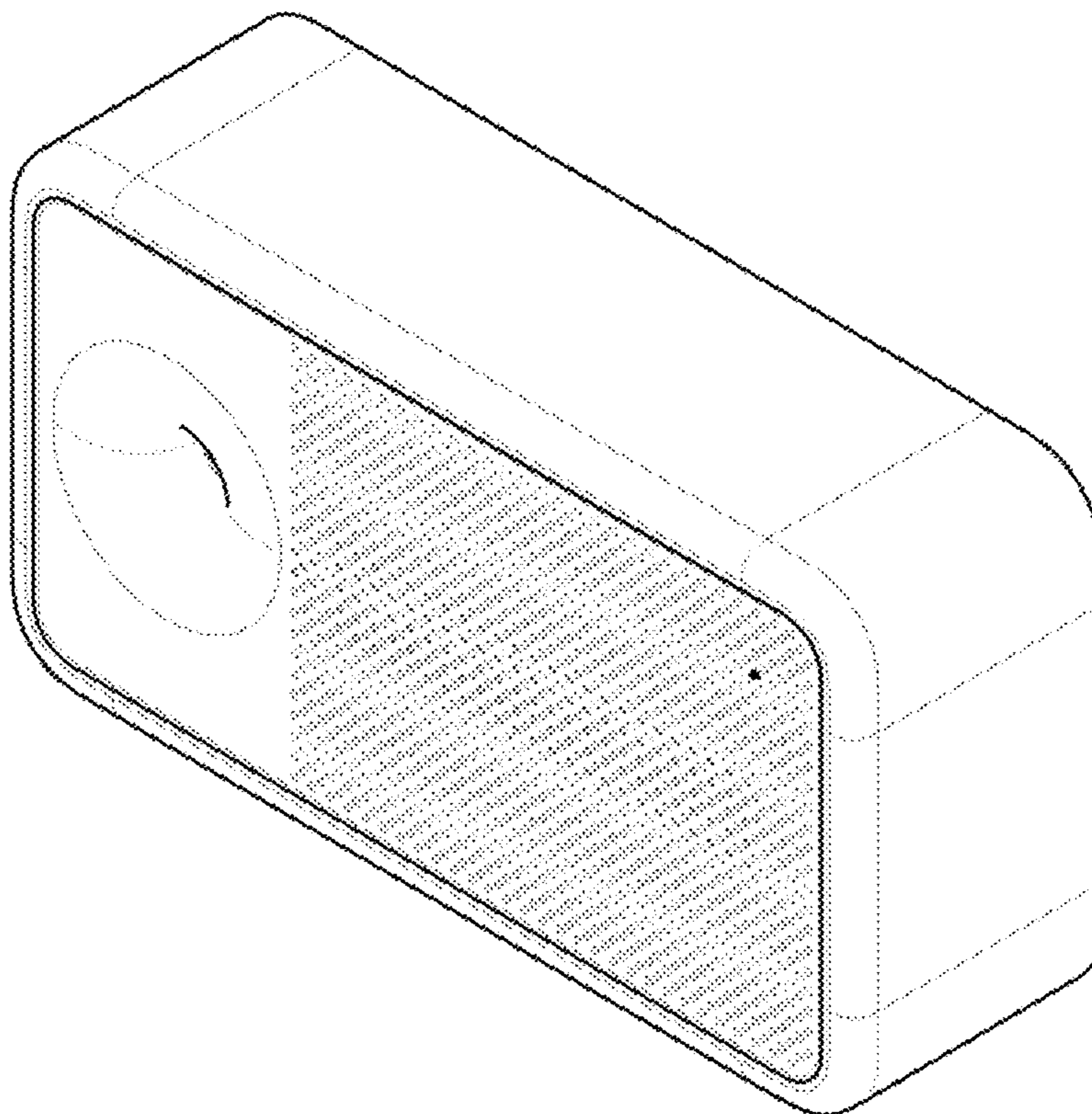
The ornamental design for an air quality monitoring device, as shown and described.

DESCRIPTION

FIG. 1 is a front perspective view of an air quality monitoring device showing our new design;
FIG. 2 is a front view thereof;
FIG. 3 is a rear view thereof;
FIG. 4 is a left-side view thereof;
FIG. 5 is a right-side view thereof;
FIG. 6 is a top plan view thereof;
FIG. 7 is a bottom plan view thereof; and,
FIG. 8 is a rear perspective view thereof.

The broken lines shown in FIG. 2 depict portions of the air quality monitoring device that form no part of the claimed design.

1 Claim, 6 Drawing Sheets



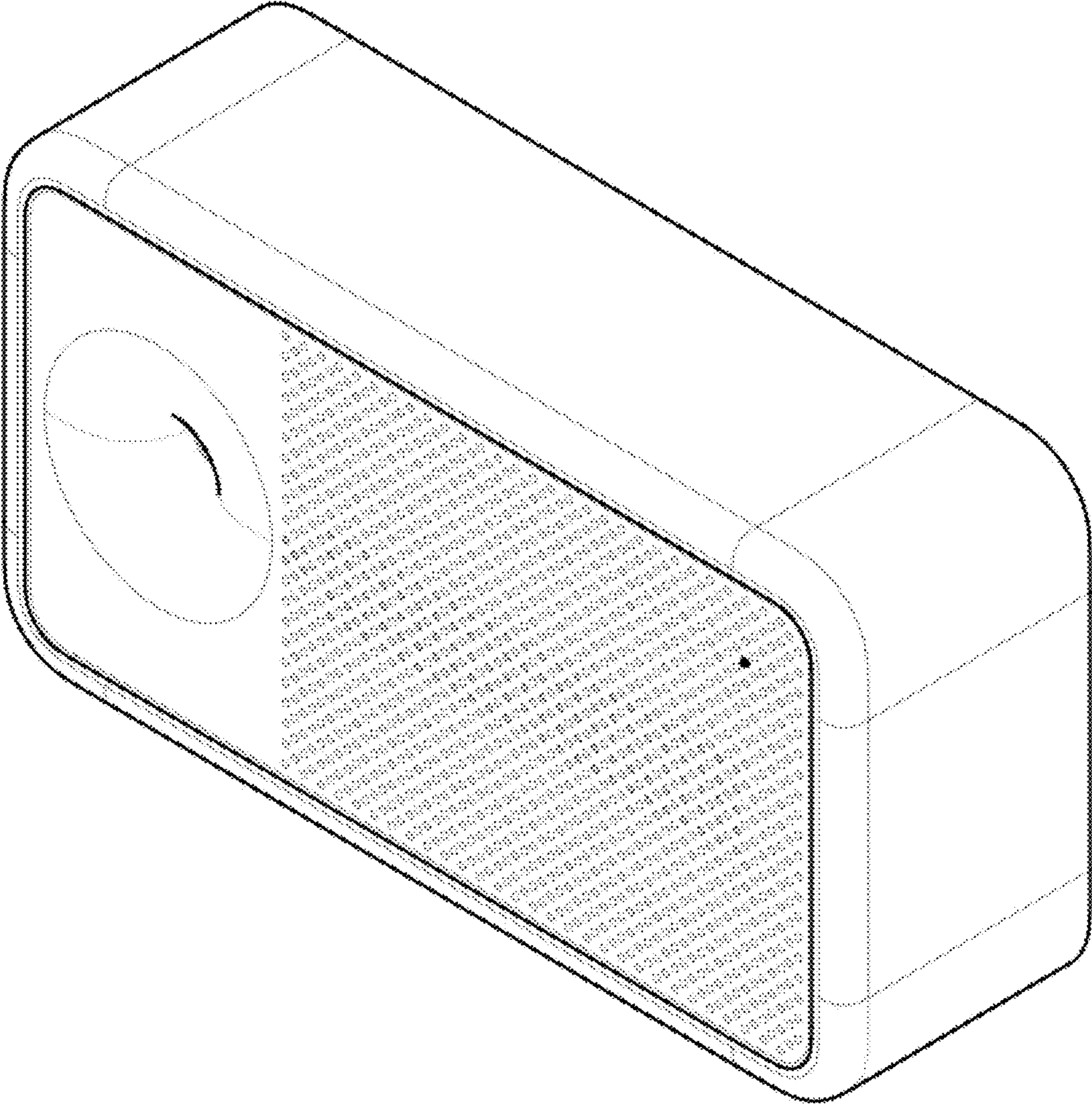


FIG. 1

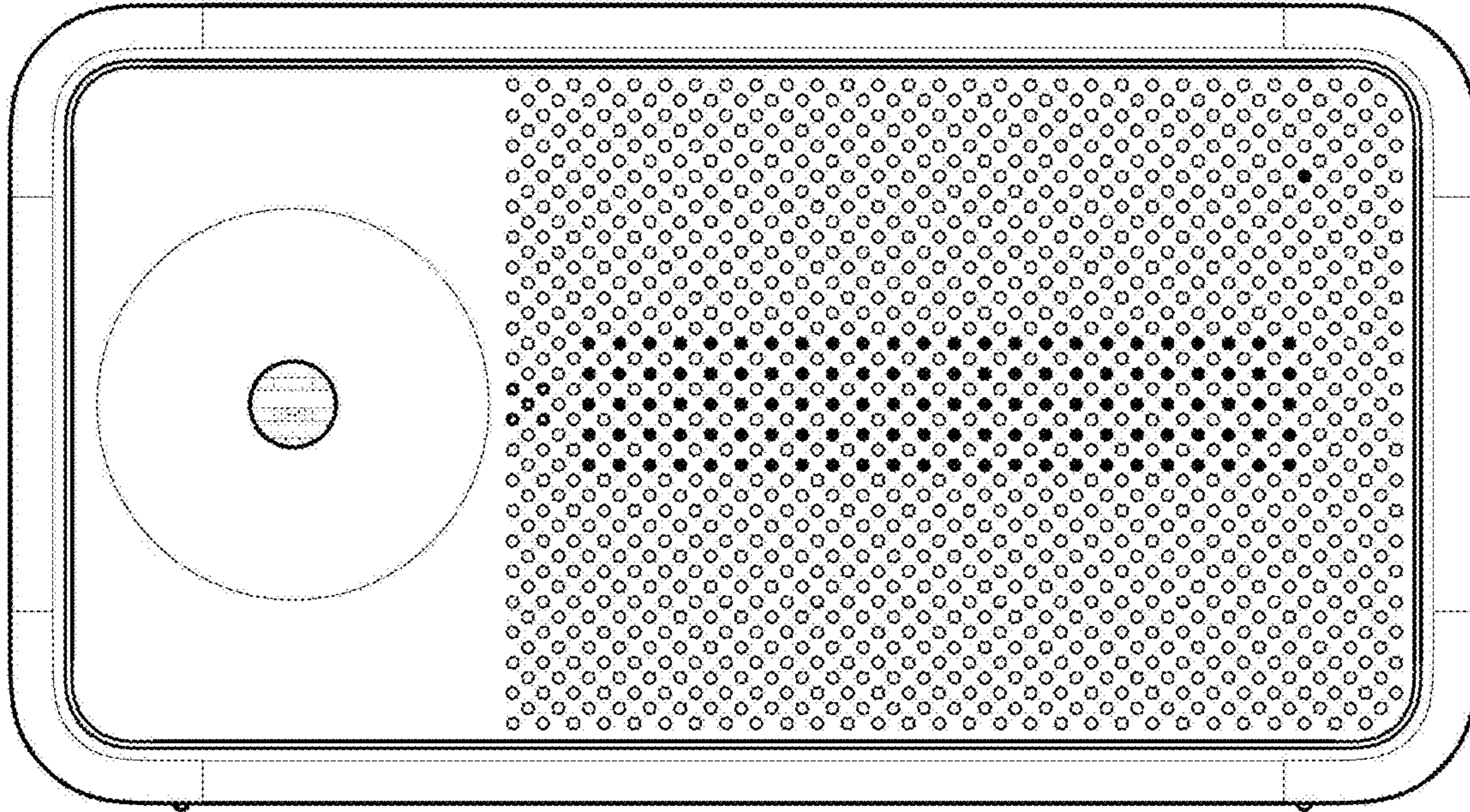


FIG. 2

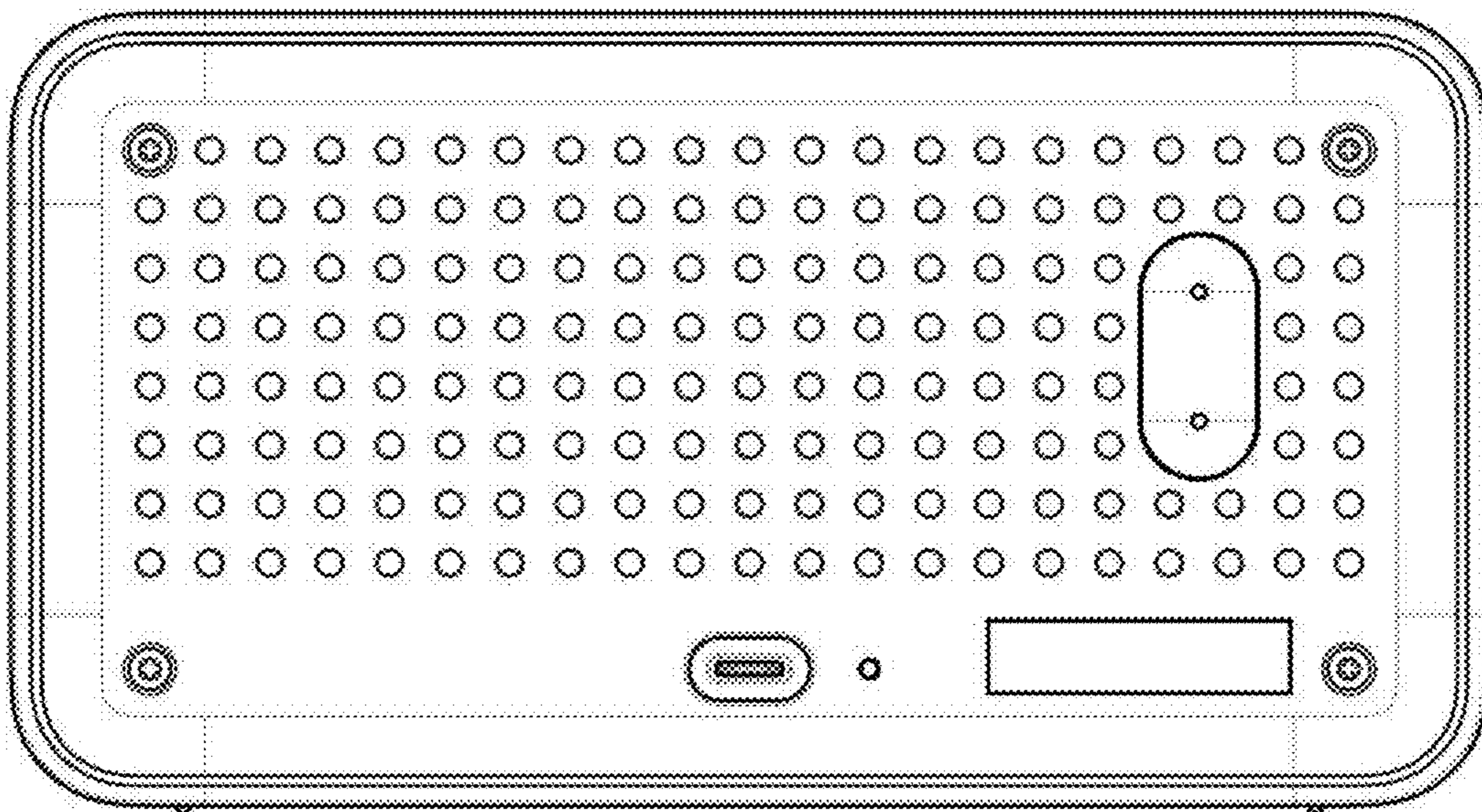


FIG. 3

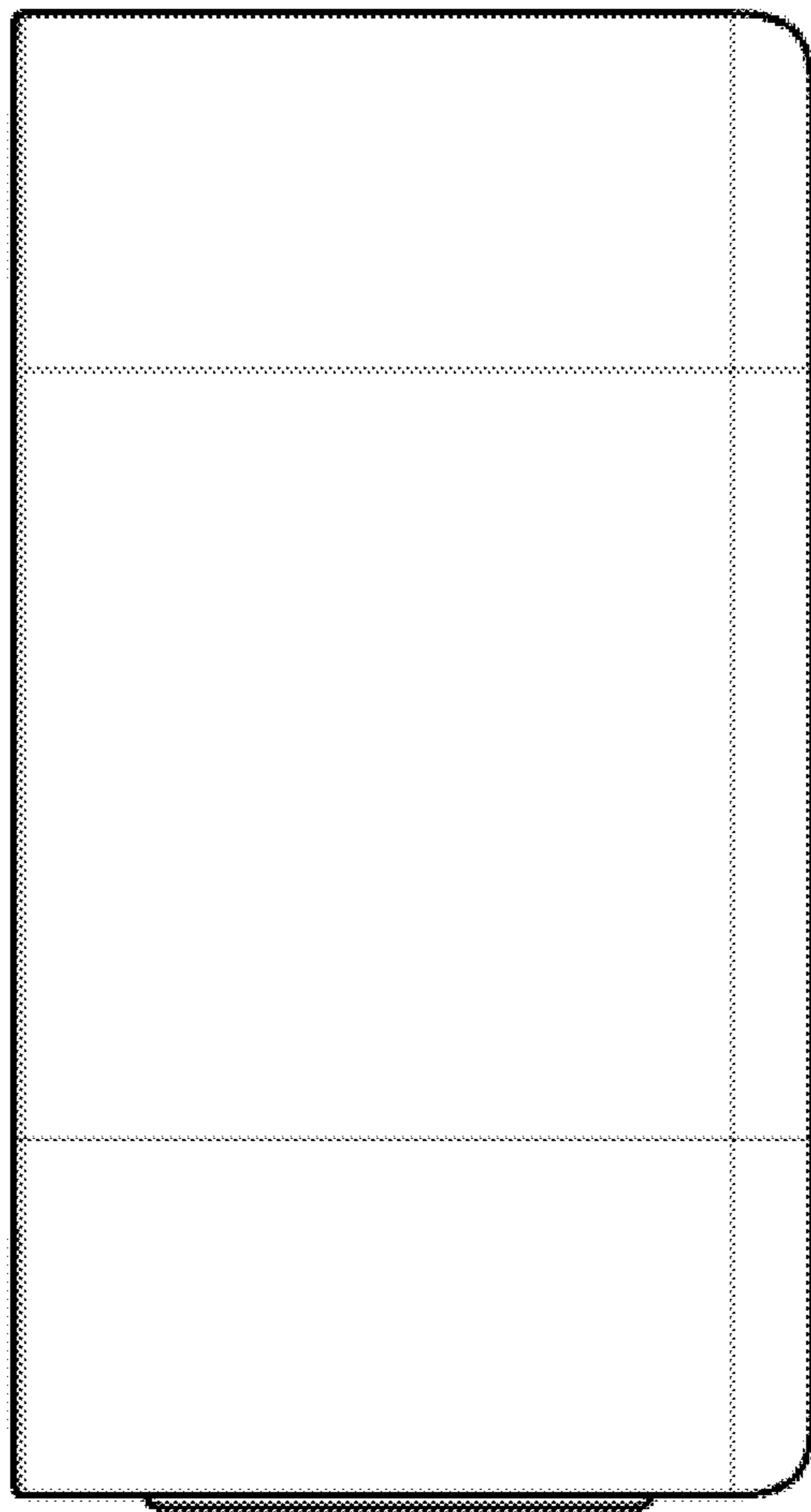


FIG. 4

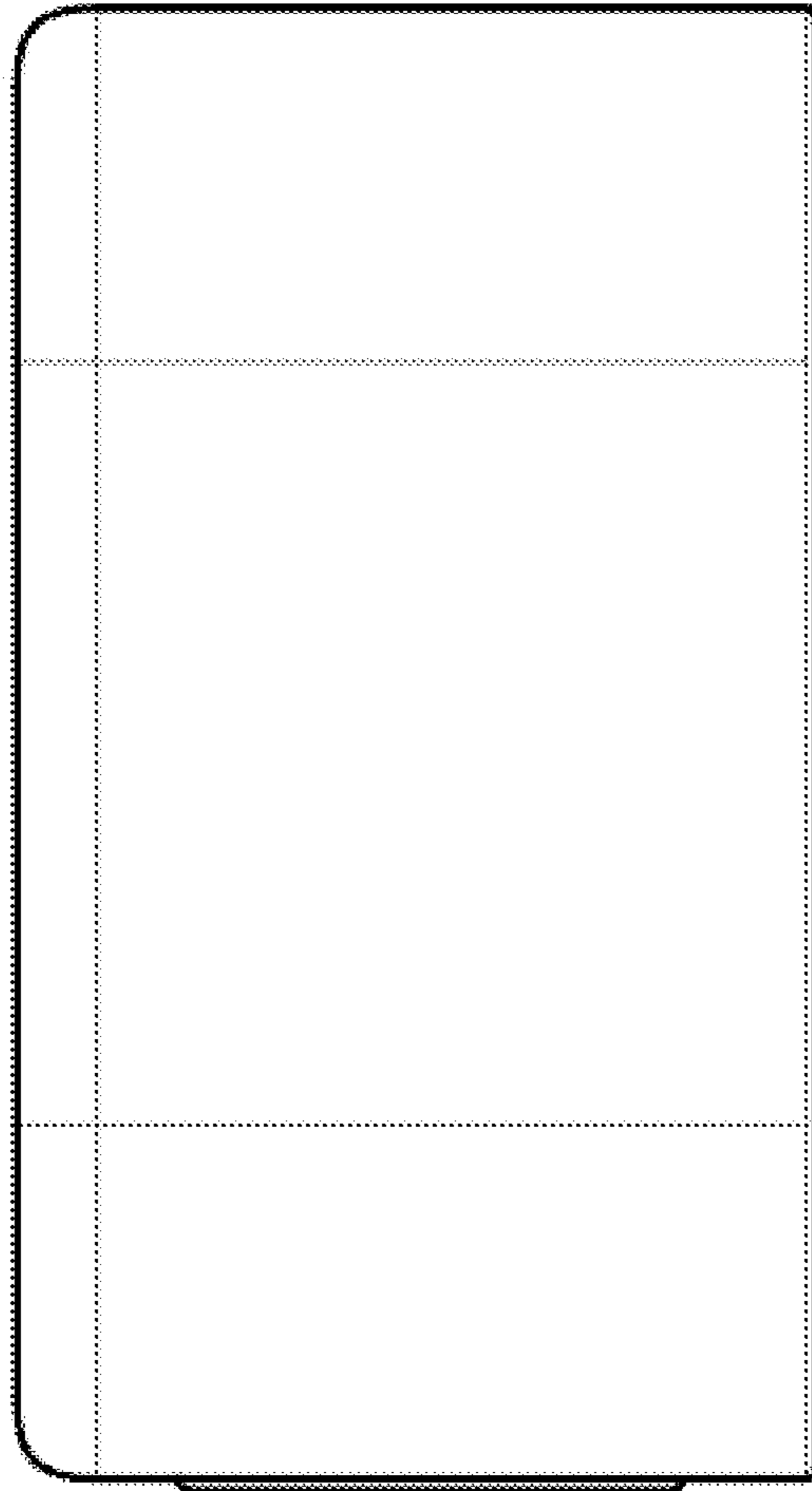


FIG. 5

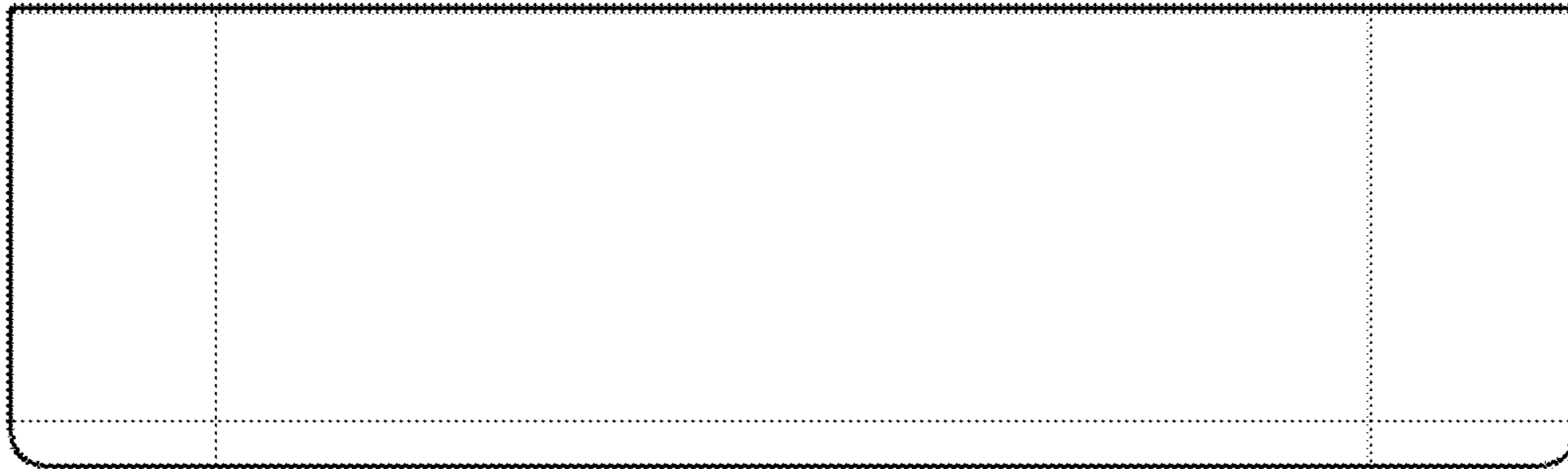


FIG. 6

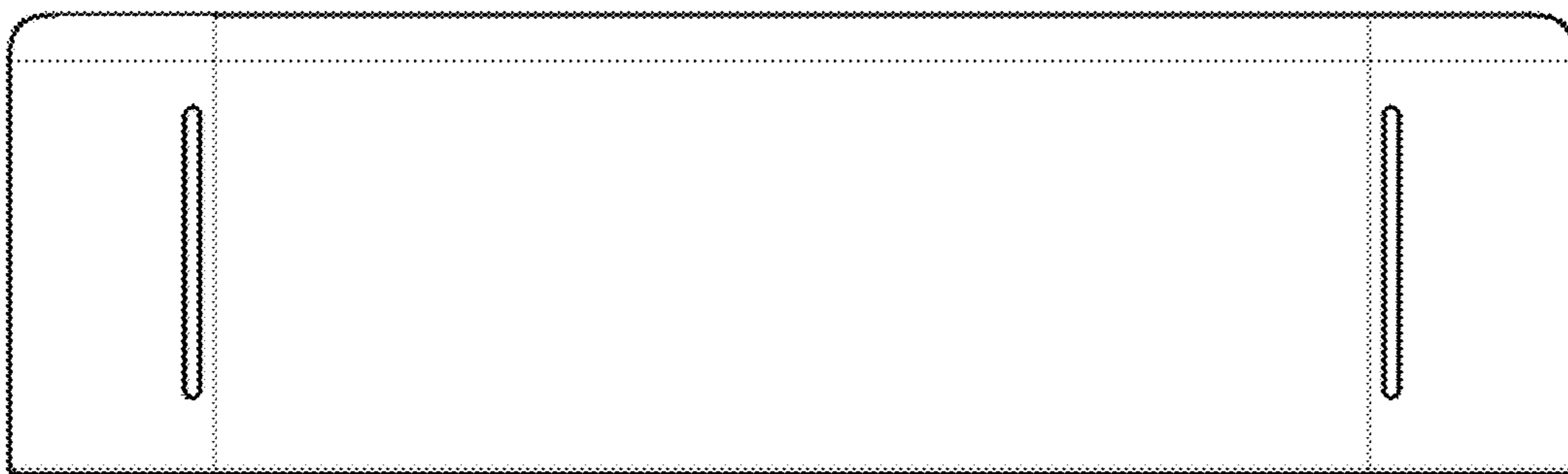


FIG. 7

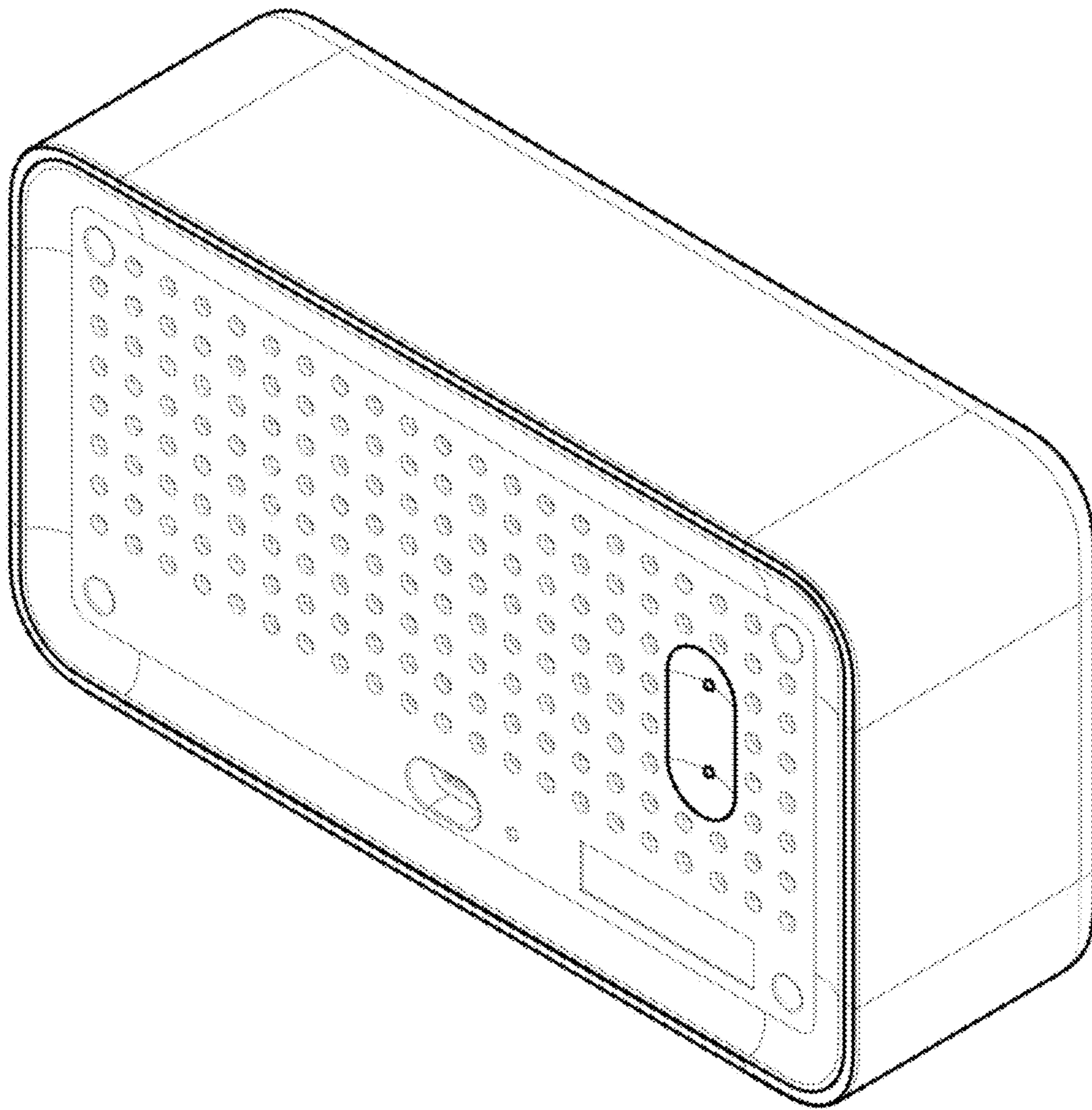


FIG. 8