



US00D942279S

(12) **United States Design Patent**  
**Zhang**

(10) **Patent No.:** **US D942,279 S**

(45) **Date of Patent:** **\*\* Feb. 1, 2022**

(54) **METAL DETECTOR**

(71) Applicant: **Shanghai 21st Century Electronic Equipment Co., LTD.**, Shanghai (CN)

(72) Inventor: **Yueling Zhang**, Shanghai (CN)

(73) Assignee: **SHANGHAI 21ST CENTURY ELECTRONIC EQUIPMENT CO., LTD.**, Shanghai (CN)

(\*\*) Term: **15 Years**

(21) Appl. No.: **29/778,307**

(22) Filed: **Apr. 12, 2021**

(51) **LOC (13) Cl.** ..... **10-04**

(52) **U.S. Cl.**  
USPC ..... **D10/47**

(58) **Field of Classification Search**  
USPC ..... D10/47

CPC ... G01V 3/00; G01V 3/02; G01V 3/04; G01V 3/06; G01V 3/08; G01V 3/081; G01V 3/082; G01V 3/083; G01V 2003/084; G01V 2003/085; G01V 2003/086; G01V 3/087; G01V 3/088; G01V 3/10; G01V 3/101; G01V 3/102; G01V 3/104; G01V 3/105; G01V 3/107; G01V 3/108; G01V 3/12; G01V 3/14; G01V 3/15; G01V 3/16; G01V 3/165; G01V 3/17; G01V 3/175; G01V 3/18; G01V 3/20; G01V 3/22; G01V 3/24; G01V 3/26; G01V 3/265; G01V 3/28; G01V 3/30; G01V 3/32; G01V 3/34; G01V 3/36; G01V 3/38; G01V 3/40

See application file for complete search history.

(56) **References Cited**

U.S. PATENT DOCUMENTS

|              |        |                     |        |
|--------------|--------|---------------------|--------|
| D756,247 S   | 5/2016 | Pollock et al.      |        |
| D844,462 S   | 4/2019 | Griffin et al.      |        |
| D881,037 S   | 4/2020 | Zhang               |        |
| D889,999 S * | 7/2020 | Qin .....           | D10/47 |
| D920,139 S * | 5/2021 | Newport-Peace ..... | D10/47 |

\* cited by examiner

*Primary Examiner* — Antoine Duval Davis

(74) *Attorney, Agent, or Firm* — Bayramoglu Law Offices LLC

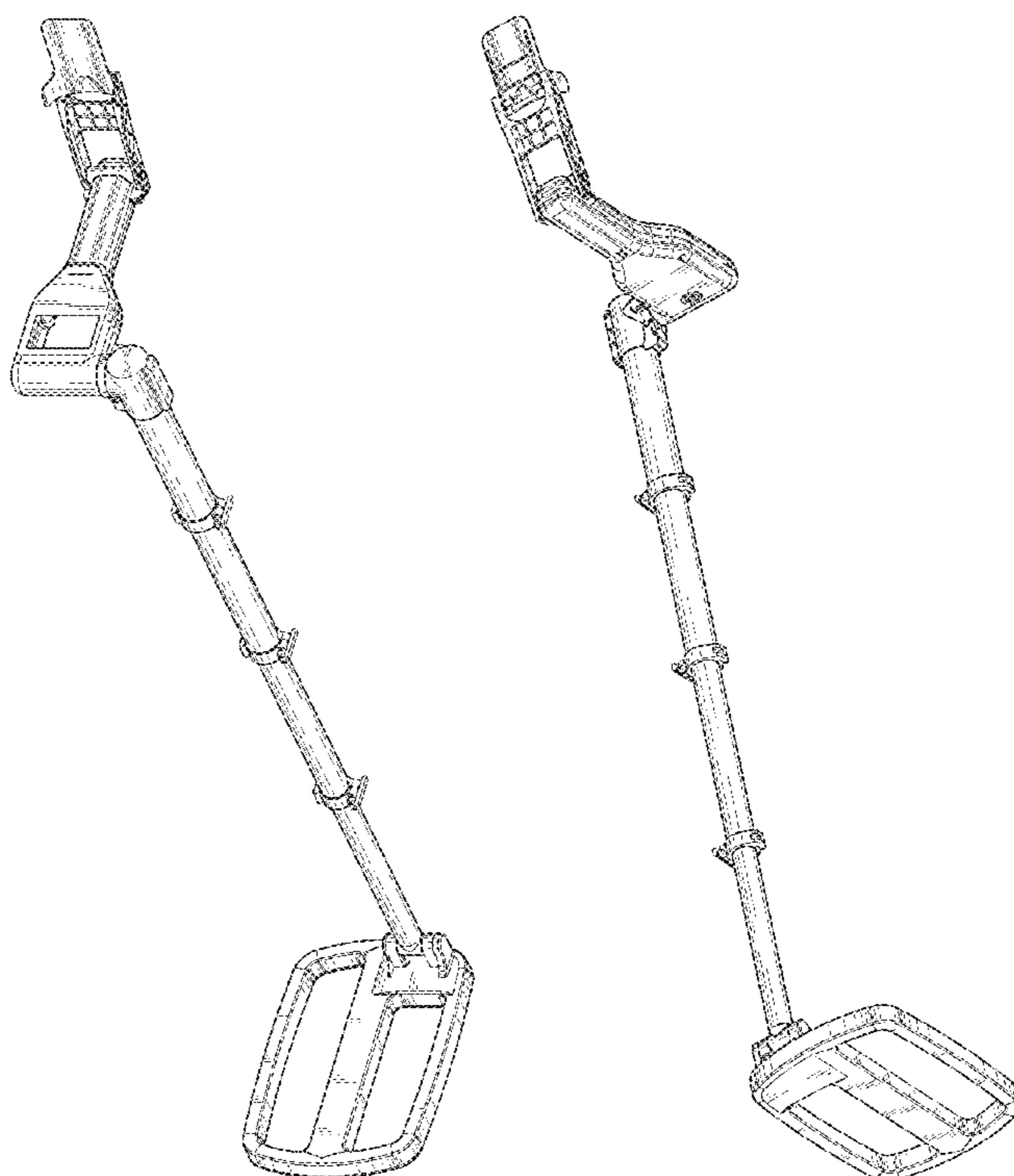
(57) **CLAIM**

The ornamental design for a metal detector, as shown and described.

**DESCRIPTION**

FIG. 1 is a top, front and right perspective view of a metal detector showing my new design;  
FIG. 2 is a front view thereof;  
FIG. 3 is a rear view thereof;  
FIG. 4 is a right side view thereof;  
FIG. 5 is a left side view thereof;  
FIG. 6 is a top view thereof;  
FIG. 7 is a bottom view thereof;  
FIG. 8 is a bottom, rear and left perspective view thereof;  
and,  
FIG. 9 is an enlarged view thereof in a folded configuration.

**1 Claim, 9 Drawing Sheets**



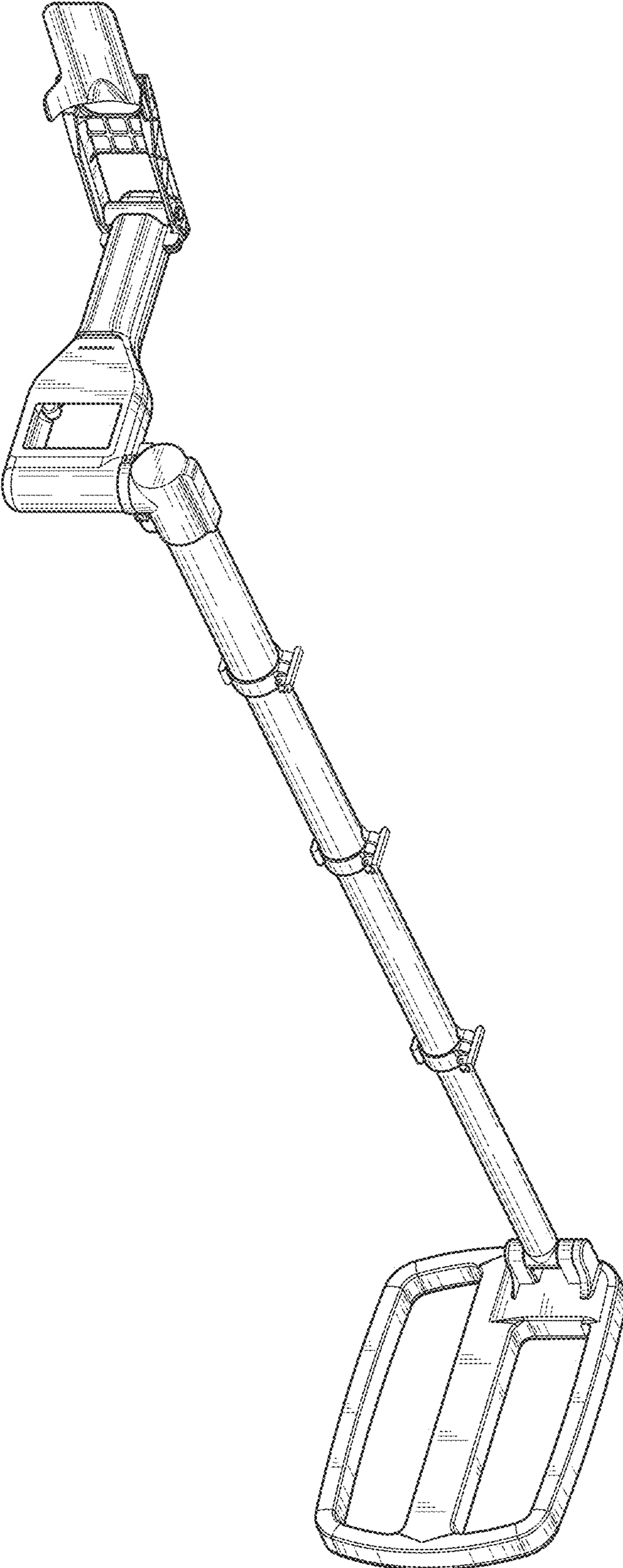


Fig. 1

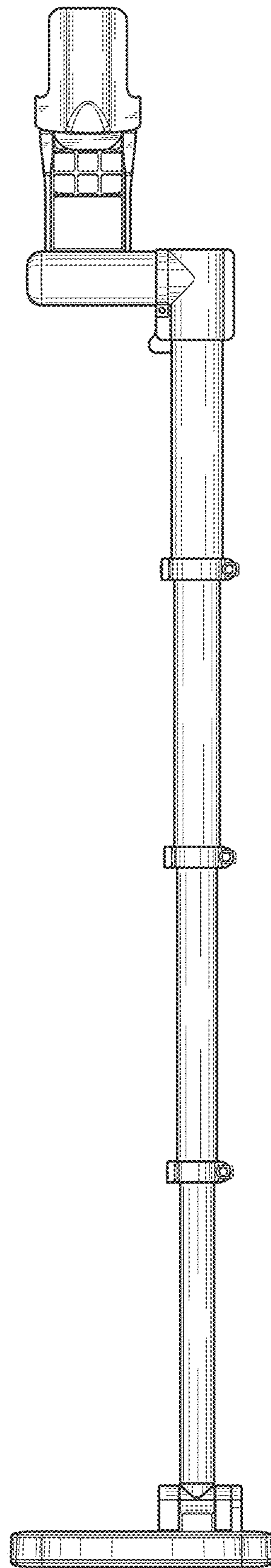


Fig. 2

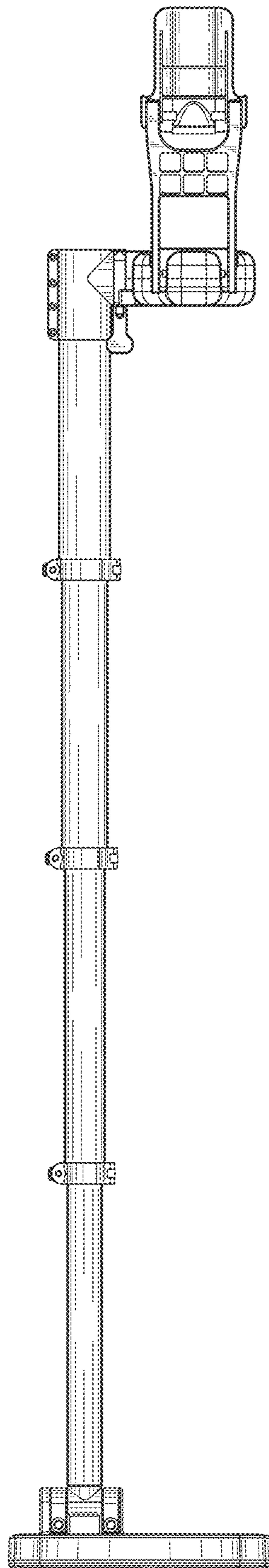


Fig. 3

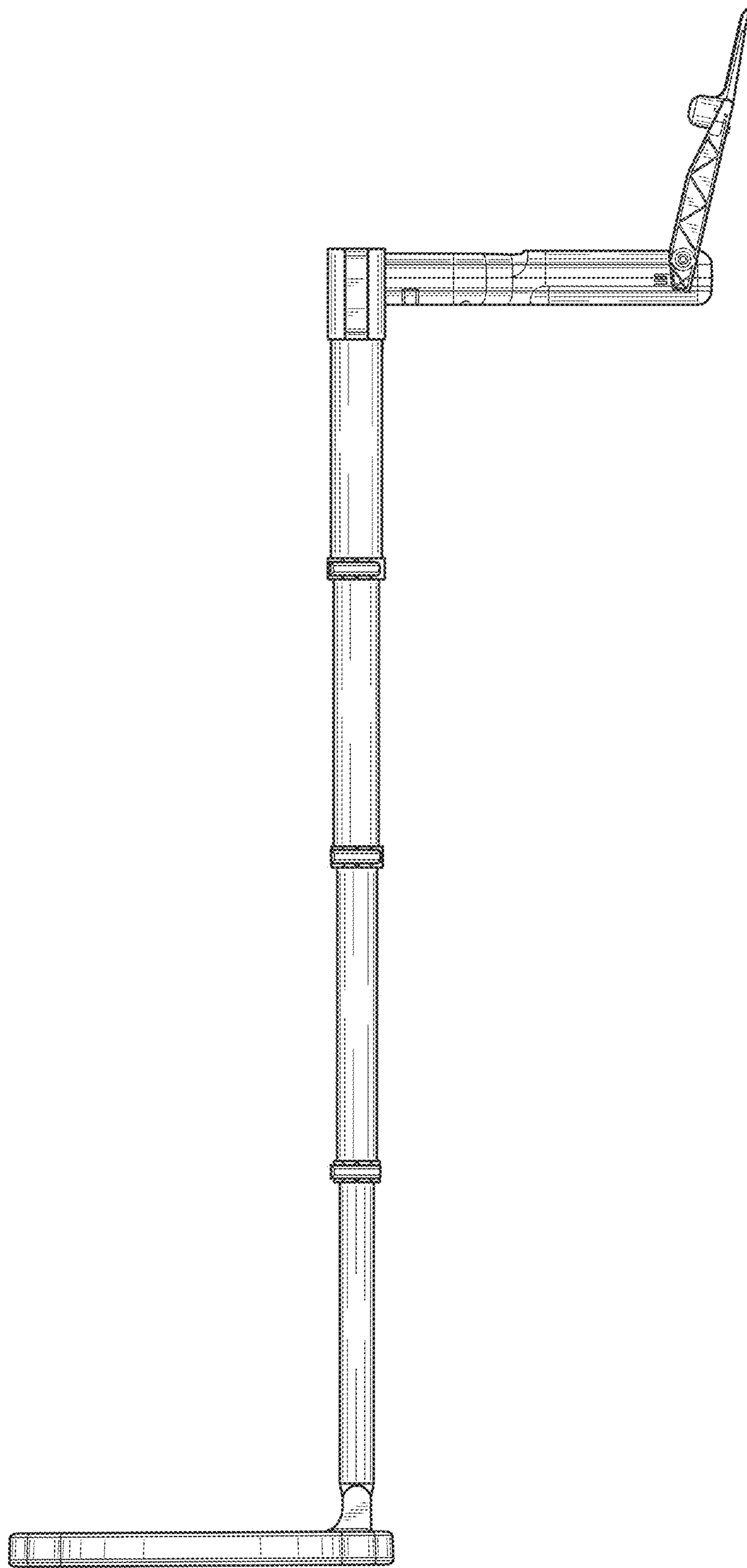


Fig. 4

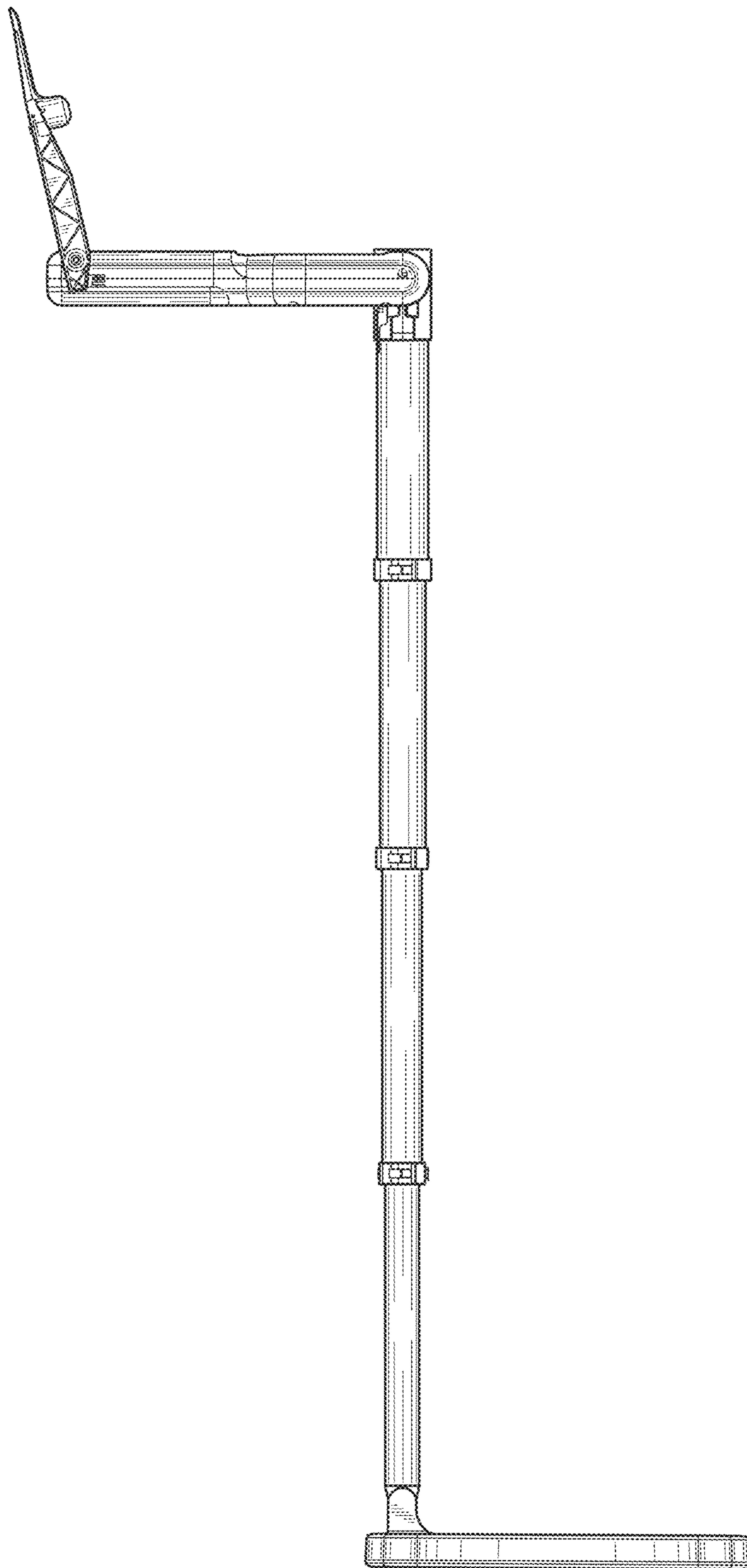


Fig. 5

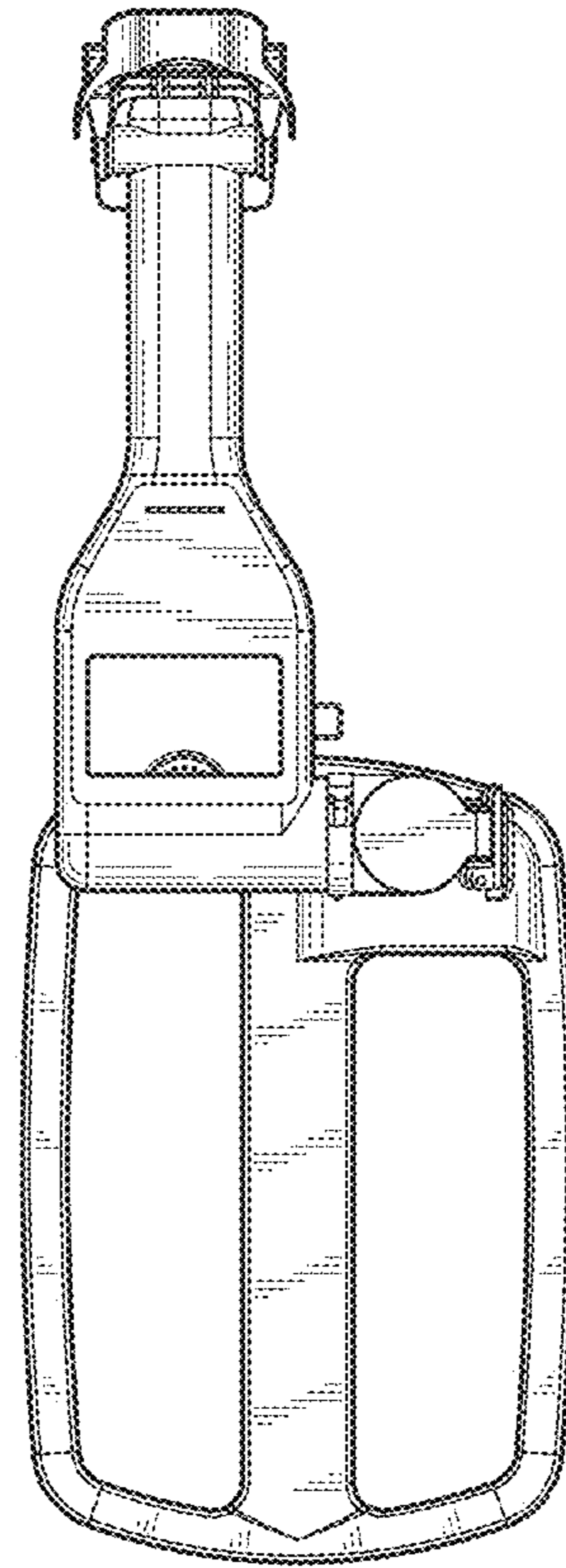


Fig. 6

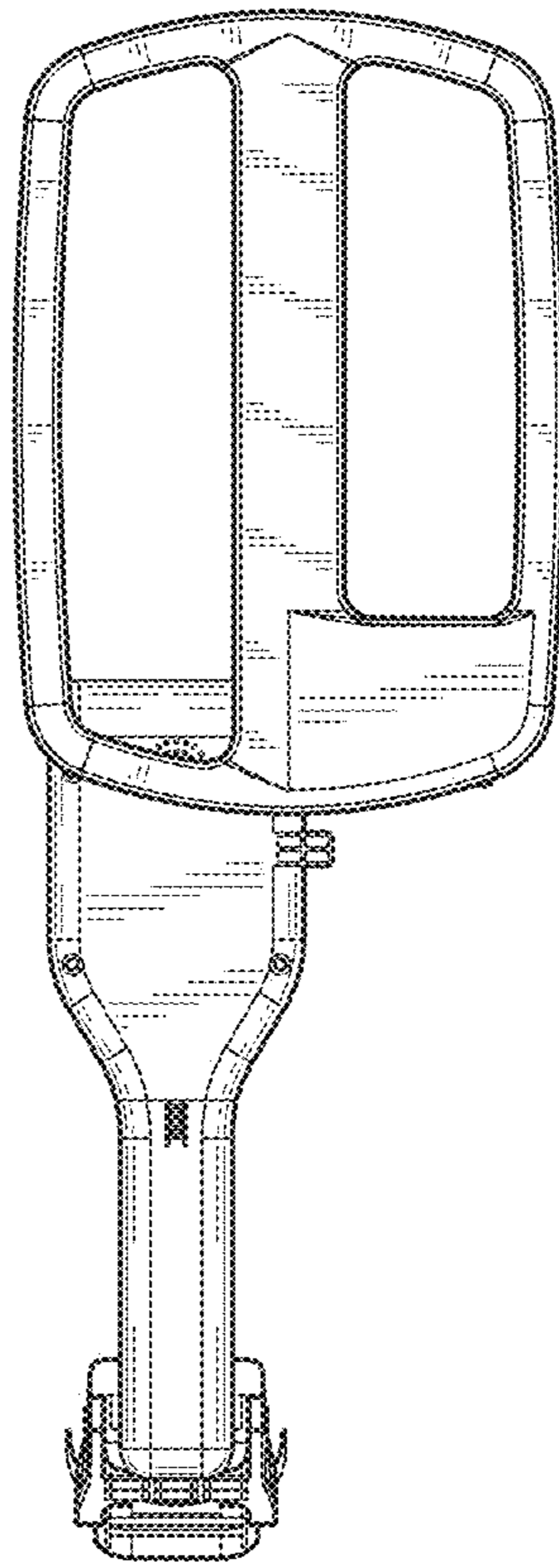


Fig. 7



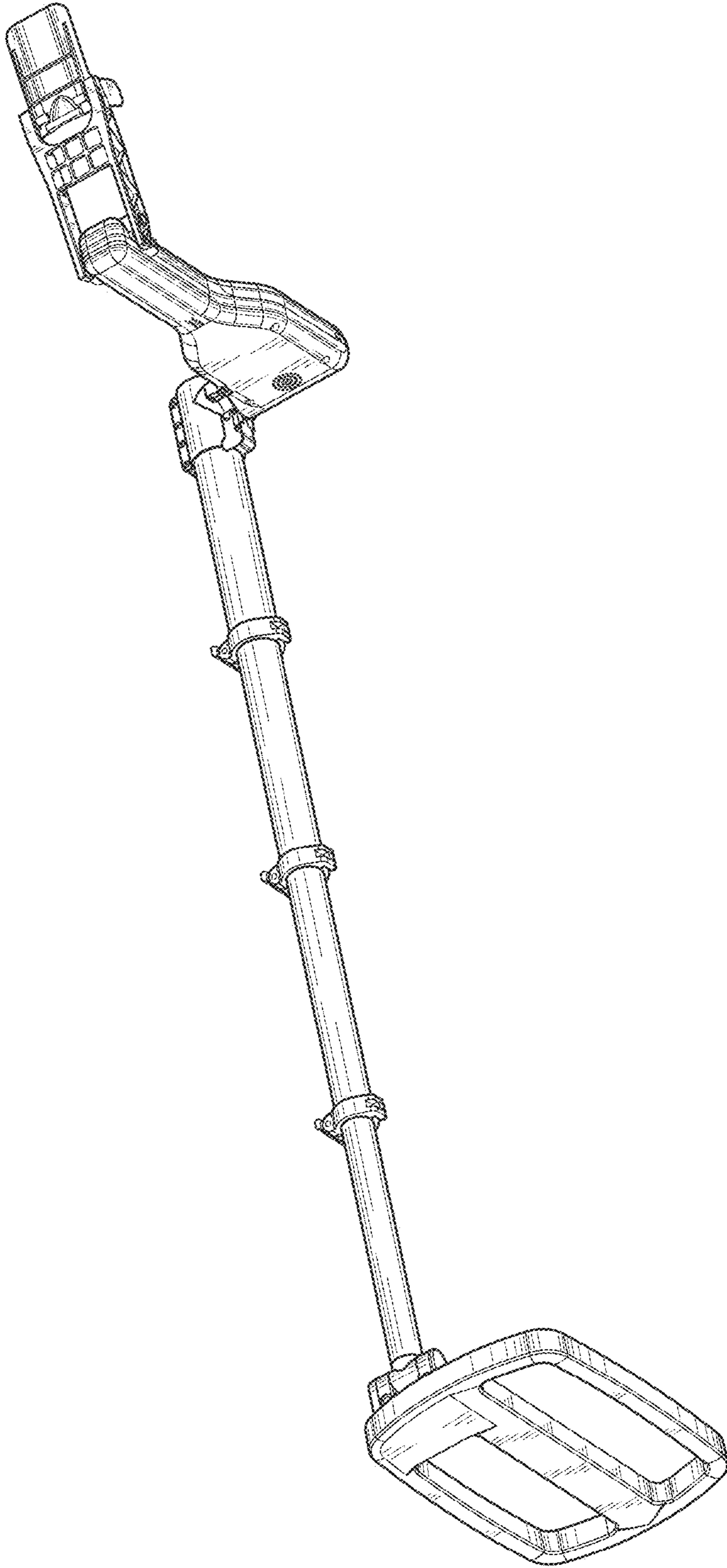


Fig. 8

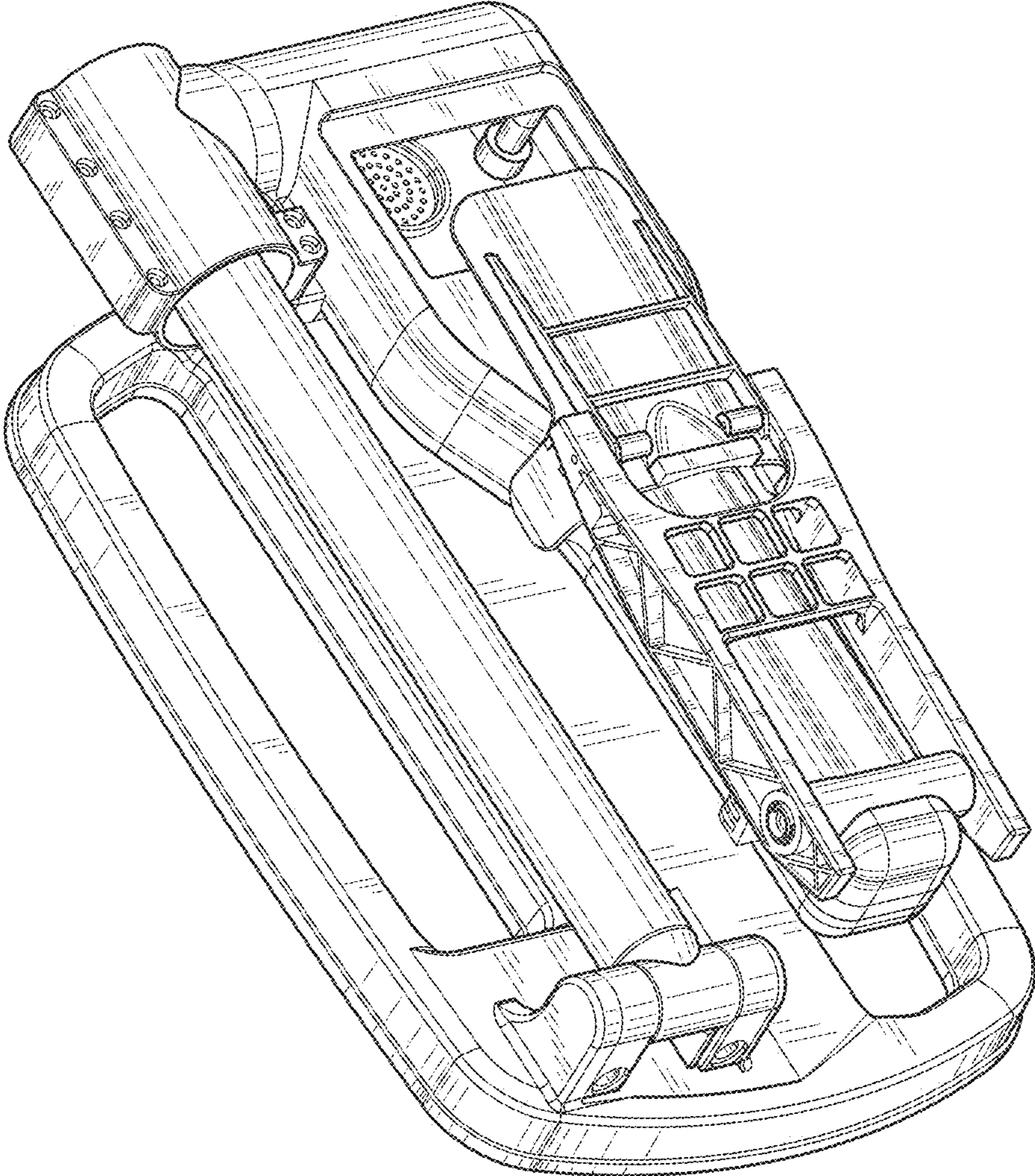


Fig. 9