

US00D942276S

(12) **United States Design Patent**
Delle Cese et al.

(10) **Patent No.:** **US D942,276 S**
(45) **Date of Patent:** **** Feb. 1, 2022**

(54) **COMBINED CHARGER WITH PACKAGING**

(21) Appl. No.: **29/738,996**

(71) Applicant: **Apple Inc.**, Cupertino, CA (US)

(22) Filed: **Jun. 22, 2020**

(72) Inventors: **Francesca Amor Delle Cese**, San Francisco, CA (US); **Lorraine Y. Tang**, San Francisco, CA (US); **Bhautik H. Mehta**, Mountain View, CA (US); **Mark T. Uyeda**, Campbell, CA (US); **Alissa Anderson**, San Francisco, CA (US); **Jonathan Berk**, Mountain View, CA (US); **Margaret Madigan Burke**, Sunnyvale, CA (US); **Jack Wanderman**, San Francisco, CA (US); **Kevin Scott Fetterman**, Los Altos, CA (US); **Jody Akana**, San Francisco, CA (US); **Bartley K. Andre**, Palo Alto, CA (US); **Shota Aoyagi**, San Francisco, CA (US); **Anthony Michael Ashcroft**, San Francisco, CA (US); **Jeremy Bataillon**, San Francisco, CA (US); **Daniel J. Coster**, San Francisco, CA (US); **Daniele De Iuliis**, San Francisco, CA (US); **M. Evans Hankey**, San Francisco, CA (US); **Julian Hoenig**, San Francisco, CA (US); **Richard P. Howarth**, San Francisco, CA (US); **Jonathan P. Ive**, San Francisco, CA (US); **Duncan Robert Kerr**, San Francisco, CA (US); **Marc A. Newson**, London (GB); **Matthew Dean Rohrbach**, San Francisco, CA (US); **Peter Russell-Clarke**, San Francisco, CA (US); **Benjamin Andrew Shaffer**, San Jose, CA (US); **Mikael Silvano**, San Francisco, CA (US); **Christopher J. Stringer**, Woodside, CA (US); **Eugene Antony Whang**, San Francisco, CA (US); **Rico Zörkendörfer**, San Francisco, CA (US)

(73) Assignee: **Apple Inc.**, Cupertino, CA (US)

(**) Term: **15 Years**

Related U.S. Application Data

(63) Continuation of application No. 29/681,908, filed on Feb. 28, 2019, now Pat. No. Des. 887,828, which is (Continued)

(51) **LOC (13) Cl.** **09-03**

(52) **U.S. Cl.**
USPC **D9/715**

(58) **Field of Classification Search**
USPC D9/414-418, 419, 431-433, 737, 721, D9/456, 715, 711; D13/153
(Continued)

(56) **References Cited**

U.S. PATENT DOCUMENTS

3,796,304 A * 3/1974 Blais B65D 75/02
206/702
5,311,990 A * 5/1994 Kalinski B65D 25/04
206/370

(Continued)

Primary Examiner — Rhea Shields

(74) *Attorney, Agent, or Firm* — Sterne, Kessler, Goldstein & Fox P.L.L.C.

(57) **CLAIM**

The ornamental design for a combined charger with packaging, as shown and described.

DESCRIPTION

FIG. 1 is a top front exploded perspective view of a combined charger with packaging showing the claimed design;

FIG. 2 is a top front perspective view of the charger of FIG. 1;

FIG. 3 is a front view thereof;

FIG. 4 is a rear view thereof;

FIG. 5 is a right side view thereof;

(Continued)

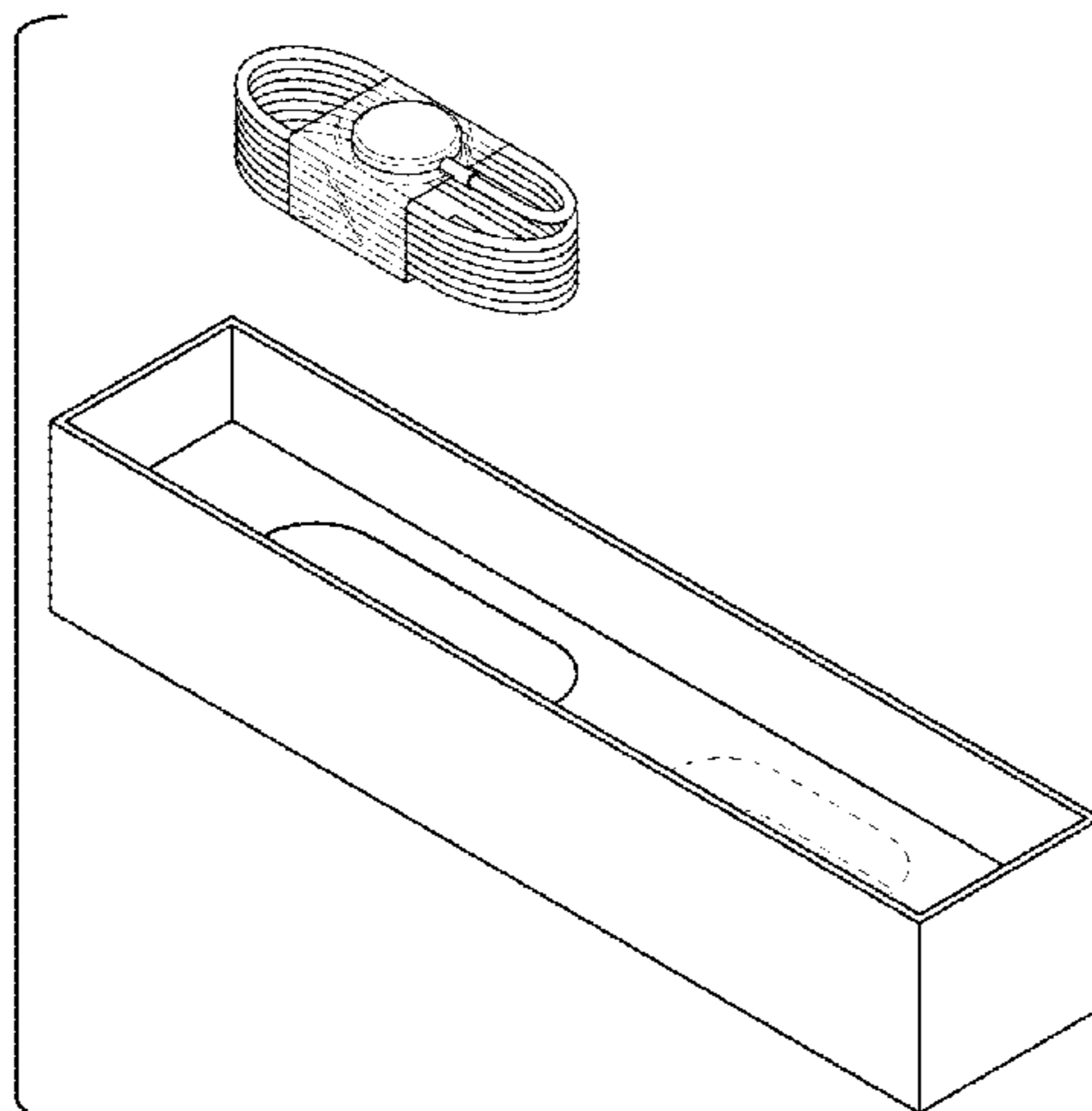


FIG. 6 is a left side view thereof;
 FIG. 7 is a top view thereof;
 FIG. 8 is a bottom view thereof;
 FIG. 9 is a top front perspective view of the packaging base of FIG. 1;
 FIG. 10 is a front view thereof;
 FIG. 11 is a rear view thereof;
 FIG. 12 is a left side view thereof;
 FIG. 13 is a right side view thereof;
 FIG. 14 is a top view thereof; and,
 FIG. 15 is a bottom view thereof.
 The broken lines in the figures show portions of the combined charger with packaging that form no part of the claimed design.

1 Claim, 9 Drawing Sheets

Related U.S. Application Data

a continuation of application No. 29/643,333, filed on Apr. 6, 2018, now Pat. No. Des. 842,091, which is a continuation of application No. 29/588,231, filed on Dec. 19, 2016, now Pat. No. Des. 814,919, which is a continuation of application No. 29/519,936, filed on Mar. 9, 2015, now Pat. No. Des. 774,899, which is a continuation-in-part of application No. 29/519,821, filed on Mar. 9, 2015, now Pat. No. Des. 779,932.

(58) **Field of Classification Search**

CPC A61B 50/30; B65D 85/04; B65D 5/5061;
 B65D 27/14; B65D 5/241; B65D 5/0254;
 B65D 75/02; B65B 7/16

See application file for complete search history.

(56)

References Cited

U.S. PATENT DOCUMENTS

D464,875	S	*	10/2002	Koppang	D9/711
D509,147	S	*	9/2005	Selby	D9/715
D694,243	S	*	11/2013	Akana	D14/433
D696,144	S	*	12/2013	Akana	D9/715
D704,072	S	*	5/2014	Akana	D9/721
D704,073	S	*	5/2014	Akana	D9/721
D706,643	S	*	6/2014	Akana	D9/721
D712,748	S	*	9/2014	Akana	D9/721
D713,738	S	*	9/2014	Akana	D9/721
D713,740	S	*	9/2014	Akana	D9/721
D735,131	S		7/2015	Akana et al.		
D736,618	S	*	8/2015	Andre	D9/432
D768,008	S	*	10/2016	Akana	D9/721
D800,549	S	*	10/2017	Delle Cese	D9/419
D802,414	S	*	11/2017	Delle Cese	D9/419
D806,537	S	*	1/2018	Cernokus	D9/432
10,005,573	B2	*	6/2018	Miros	B65B 7/16
10,081,485	B2		9/2018	Cernokus et al.		
D876,242	S	*	2/2020	Akana	D9/737
D887,989	S	*	6/2020	Birgers	D13/153
D892,061	S	*	8/2020	Birgers	D13/153
D896,085	S	*	9/2020	Fudetani	D9/456
D902,032	S	*	11/2020	Cernokus	D9/433
D906,838	S	*	1/2021	Burmeister	D9/721
D914,517	S	*	3/2021	David	D9/737
D917,303	S	*	4/2021	Akana	D9/721
D921,492	S	*	6/2021	Uyeda	D9/715
2003/0159969	A1	*	8/2003	McMichael	A61B 50/30 206/570
2007/0051662	A1	*	3/2007	Millar-Sax	B65D 5/0254 206/702
2008/0093430	A1	*	4/2008	Wethington	B65D 5/241 229/106
2016/0264297	A1	*	9/2016	Cernokus	B65D 5/5061
2017/0355499	A1	*	12/2017	Cheng	B65D 85/04
2018/0273262	A1	*	9/2018	Mccarren	B65D 85/04

* cited by examiner

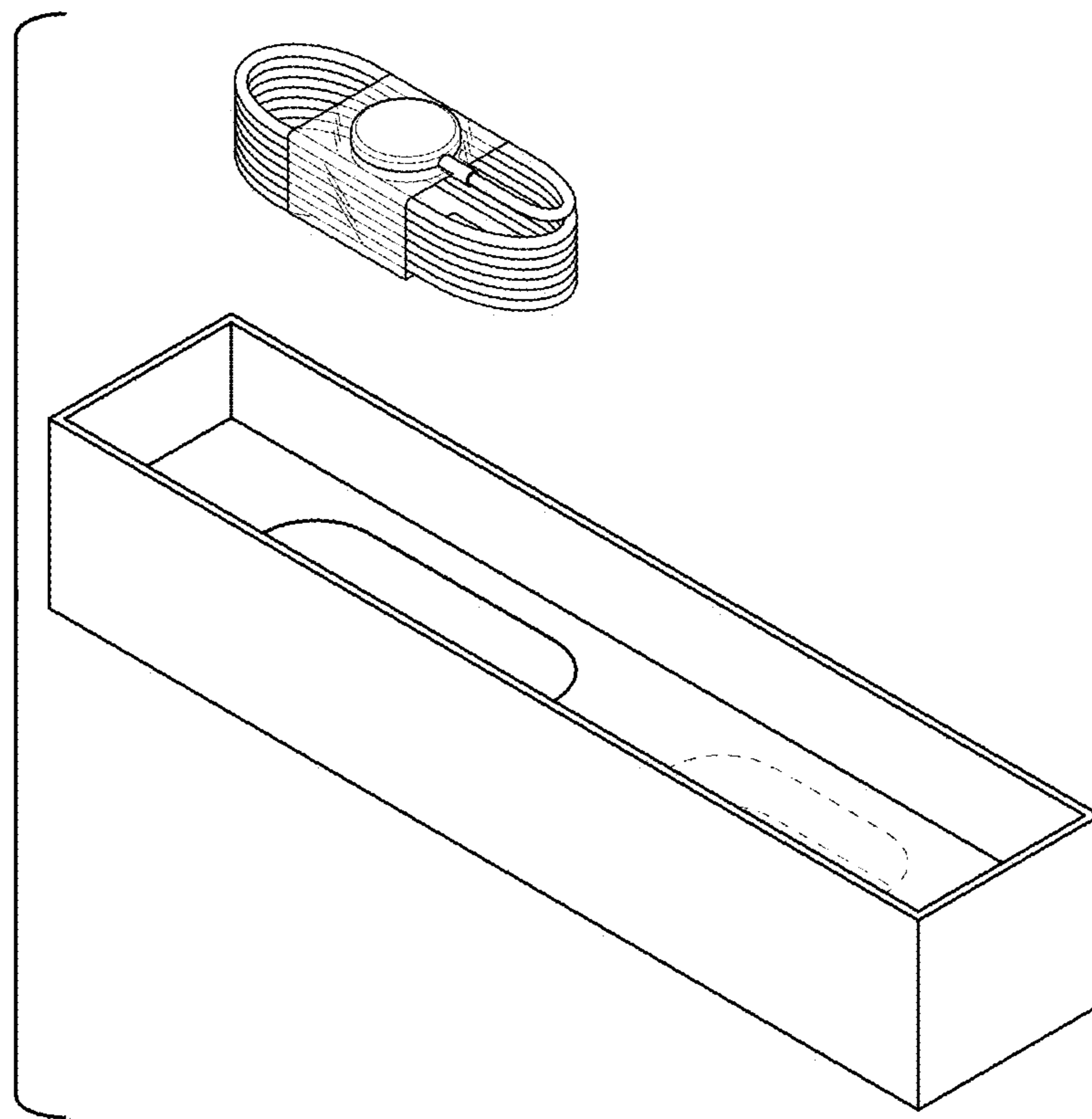


FIG. 1

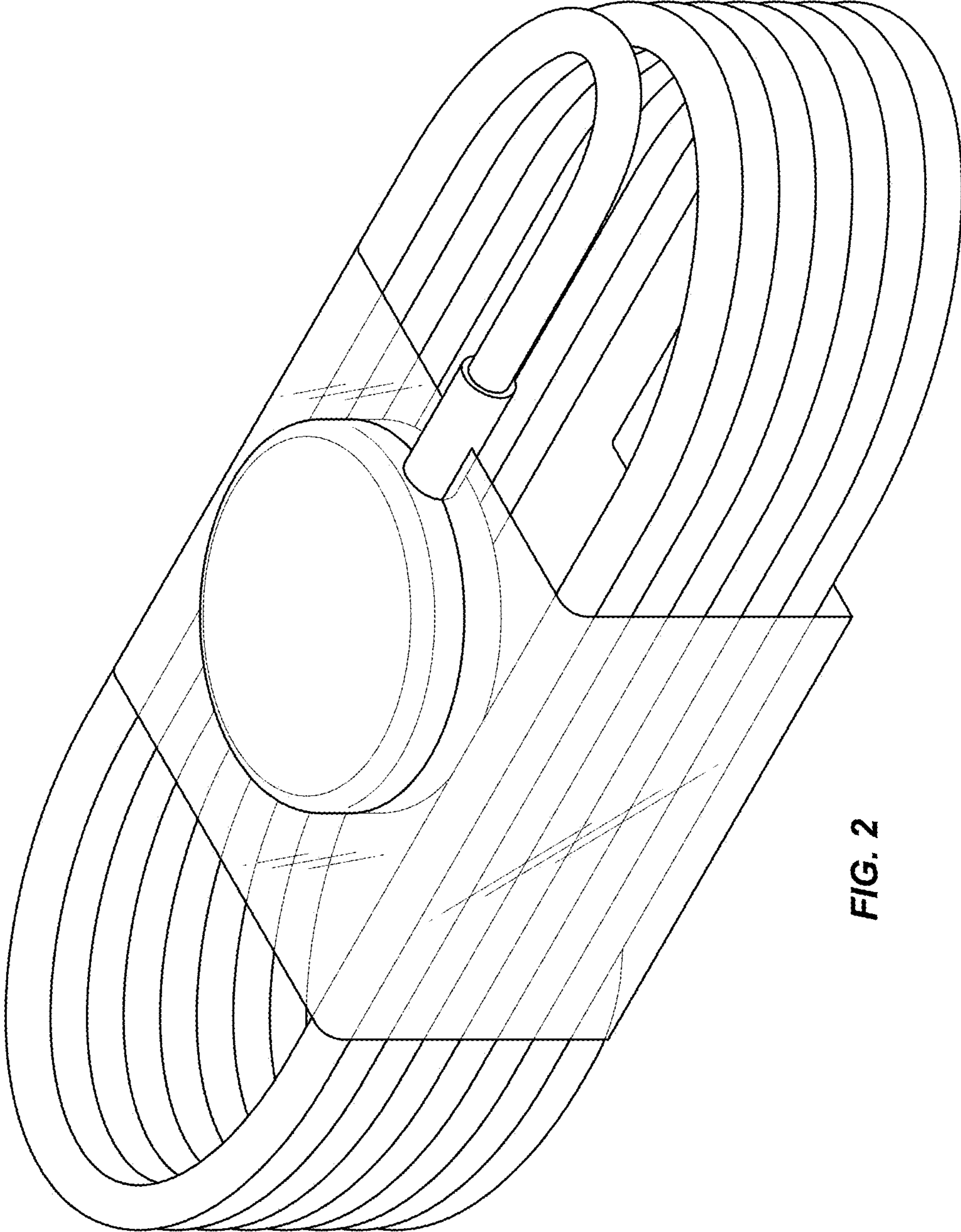


FIG. 2

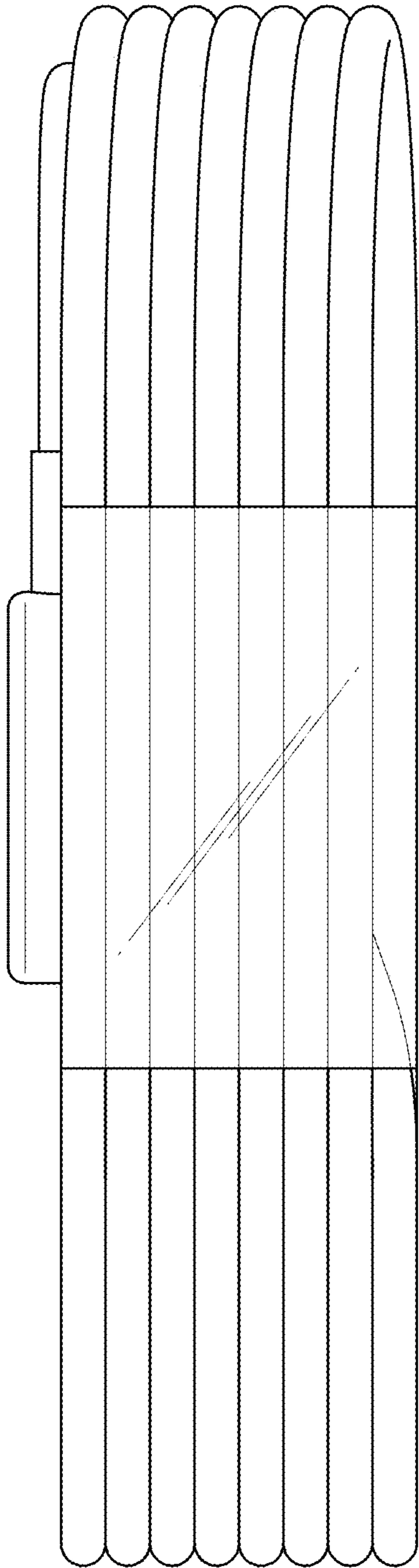


FIG. 3

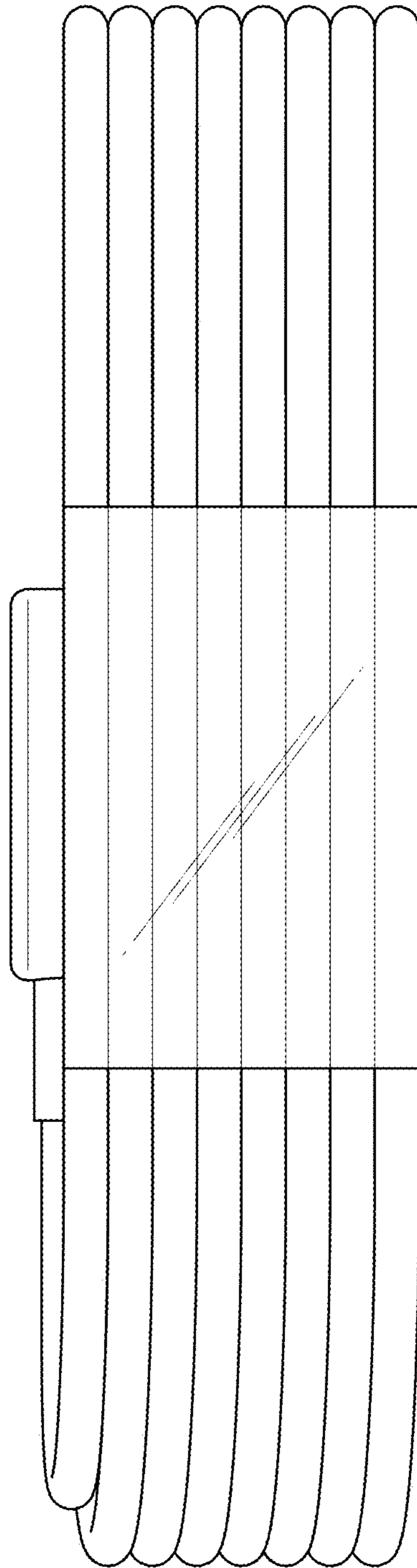


FIG. 4

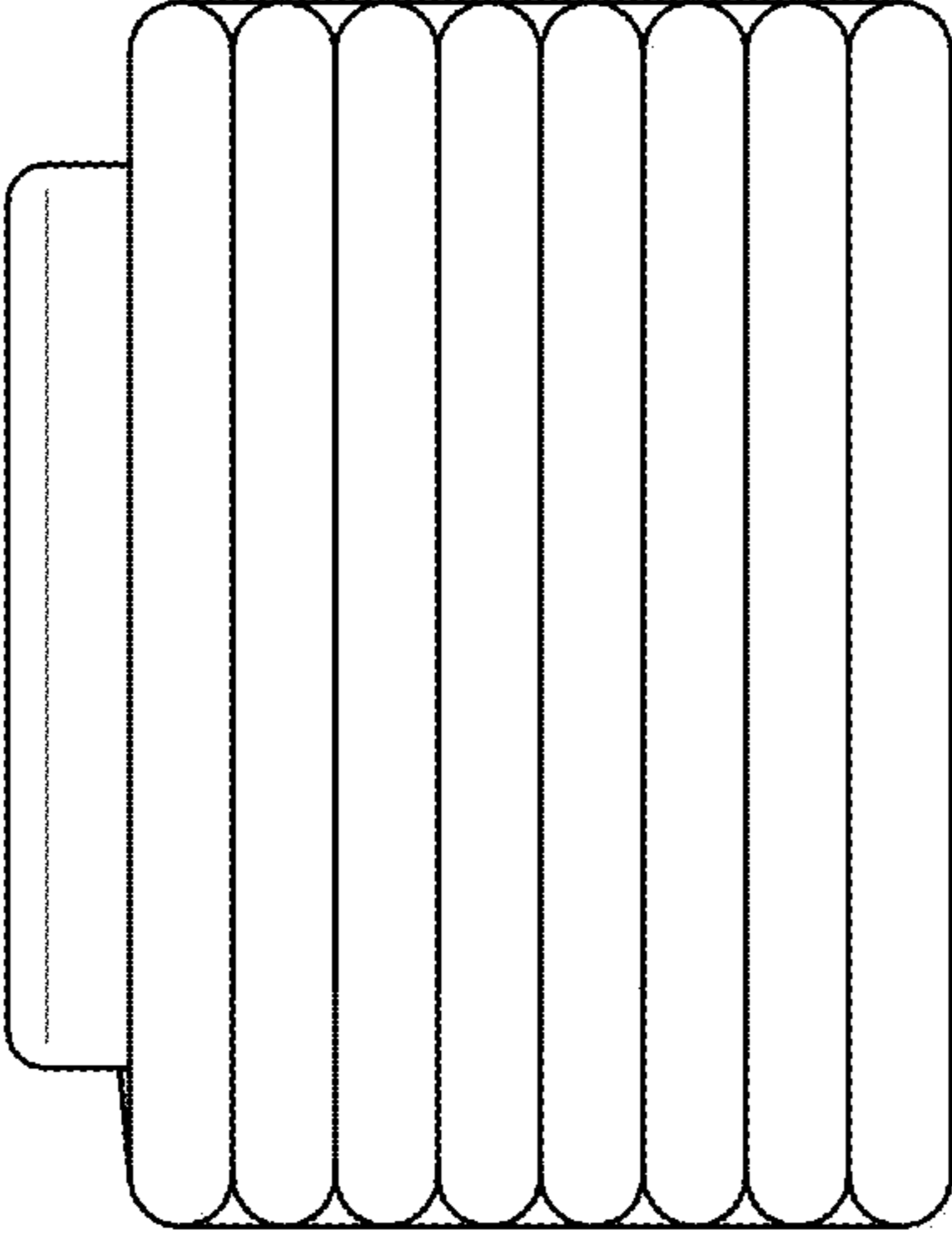


FIG. 6

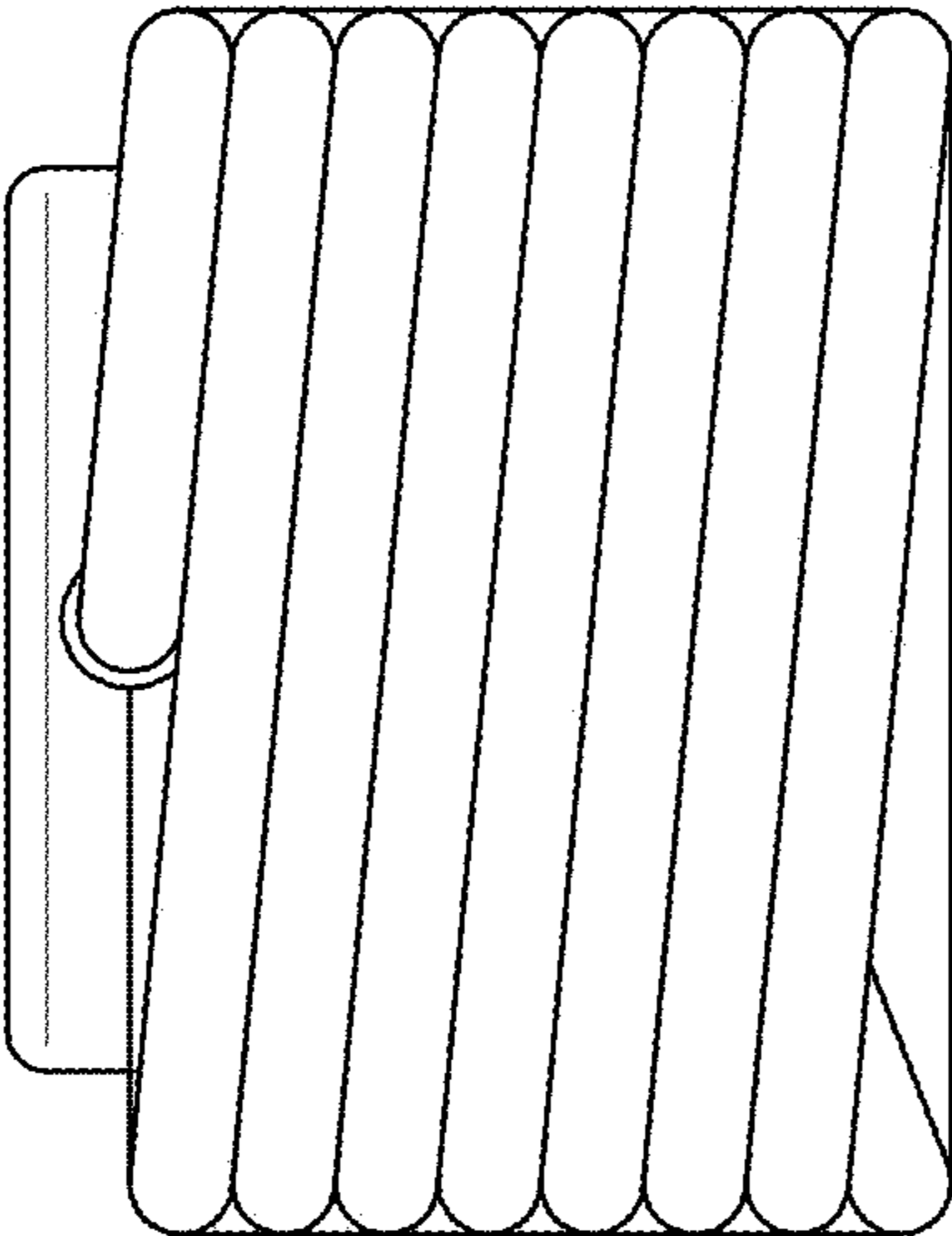


FIG. 5

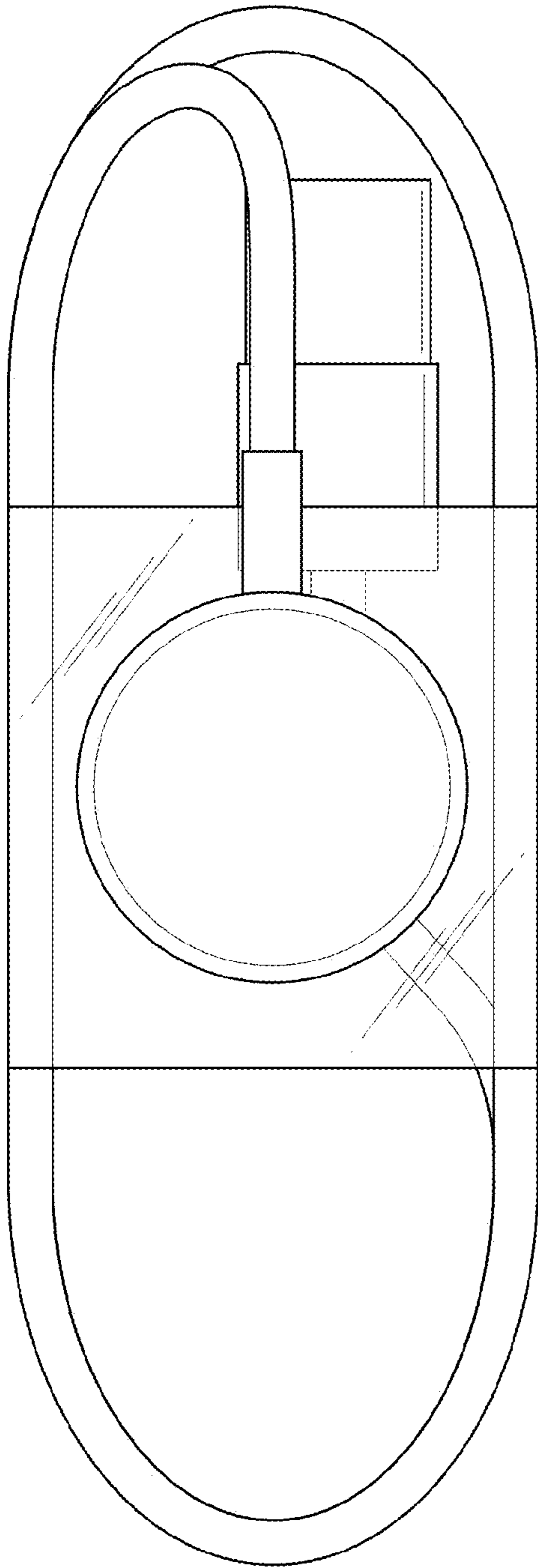


FIG. 7

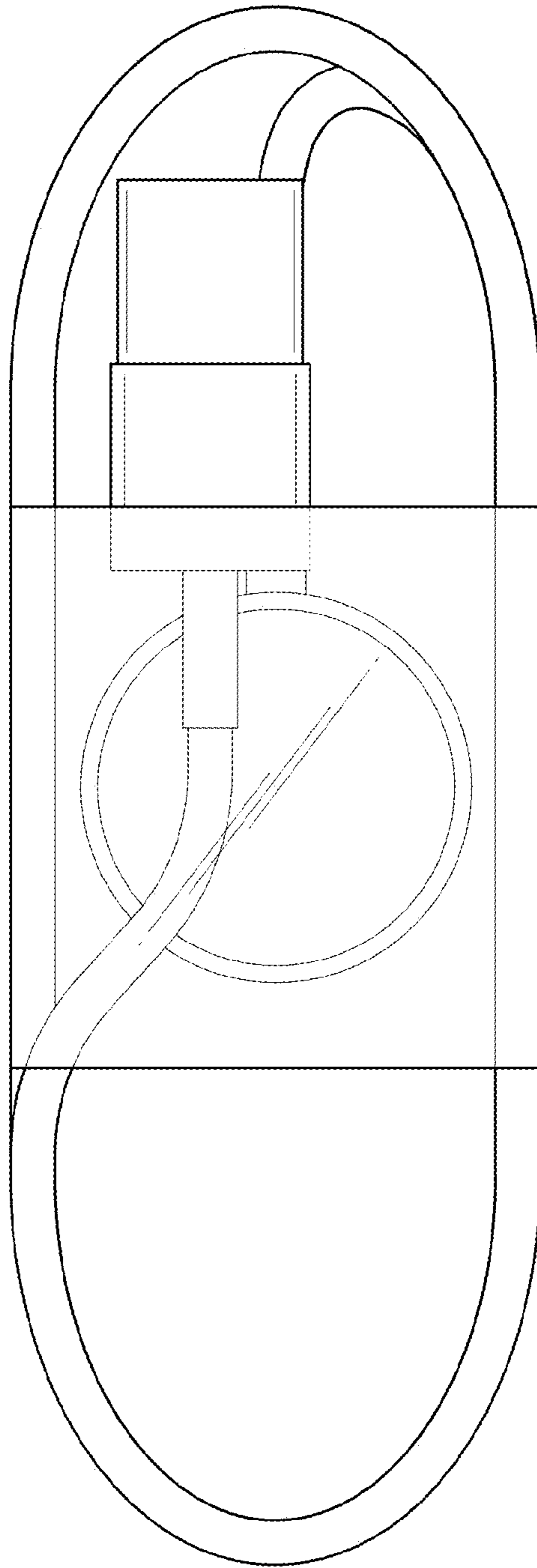


FIG. 8

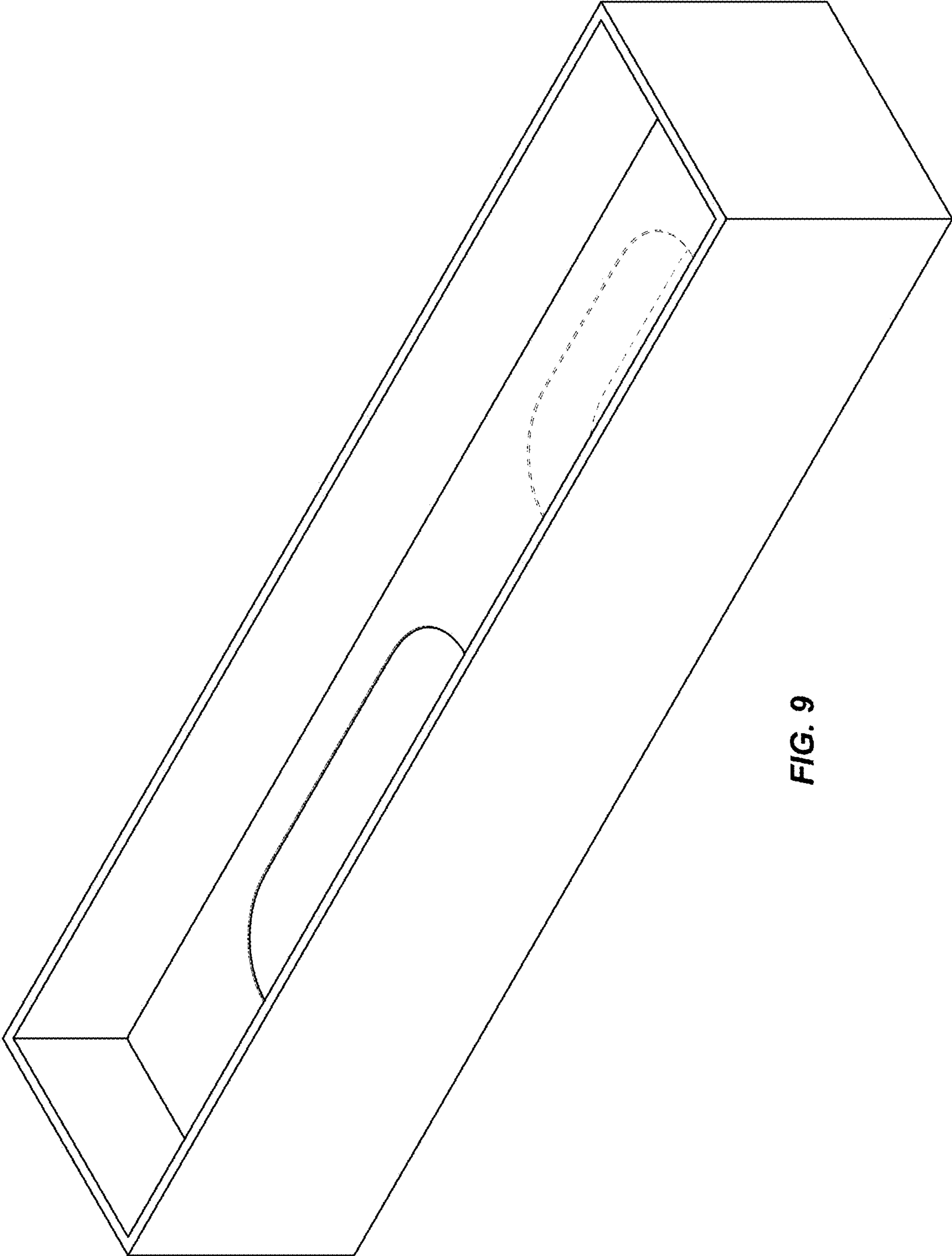


FIG. 9

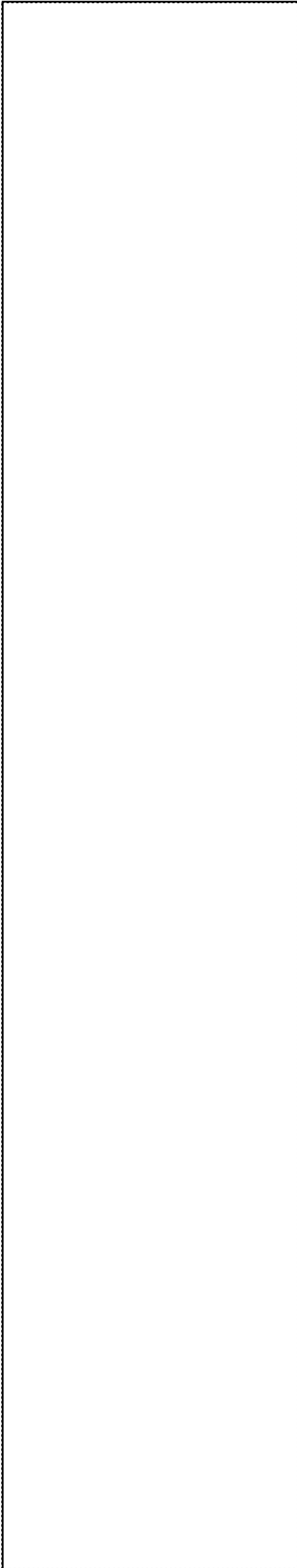


FIG. 10

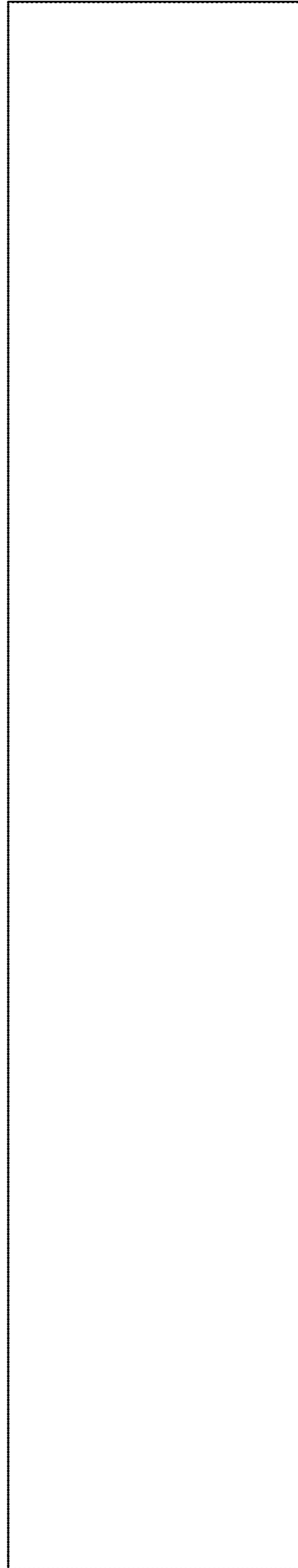


FIG. 11

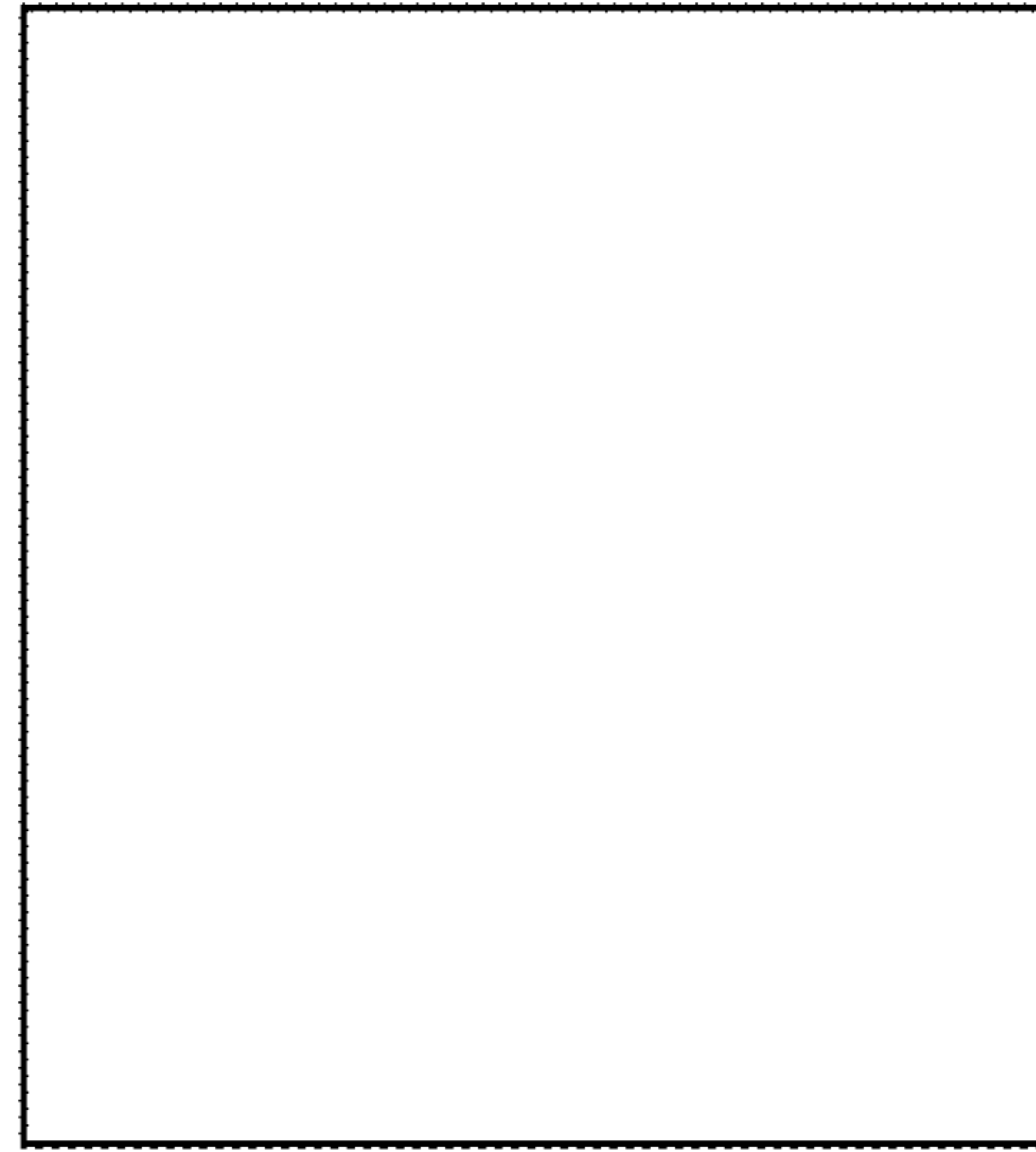


FIG. 13

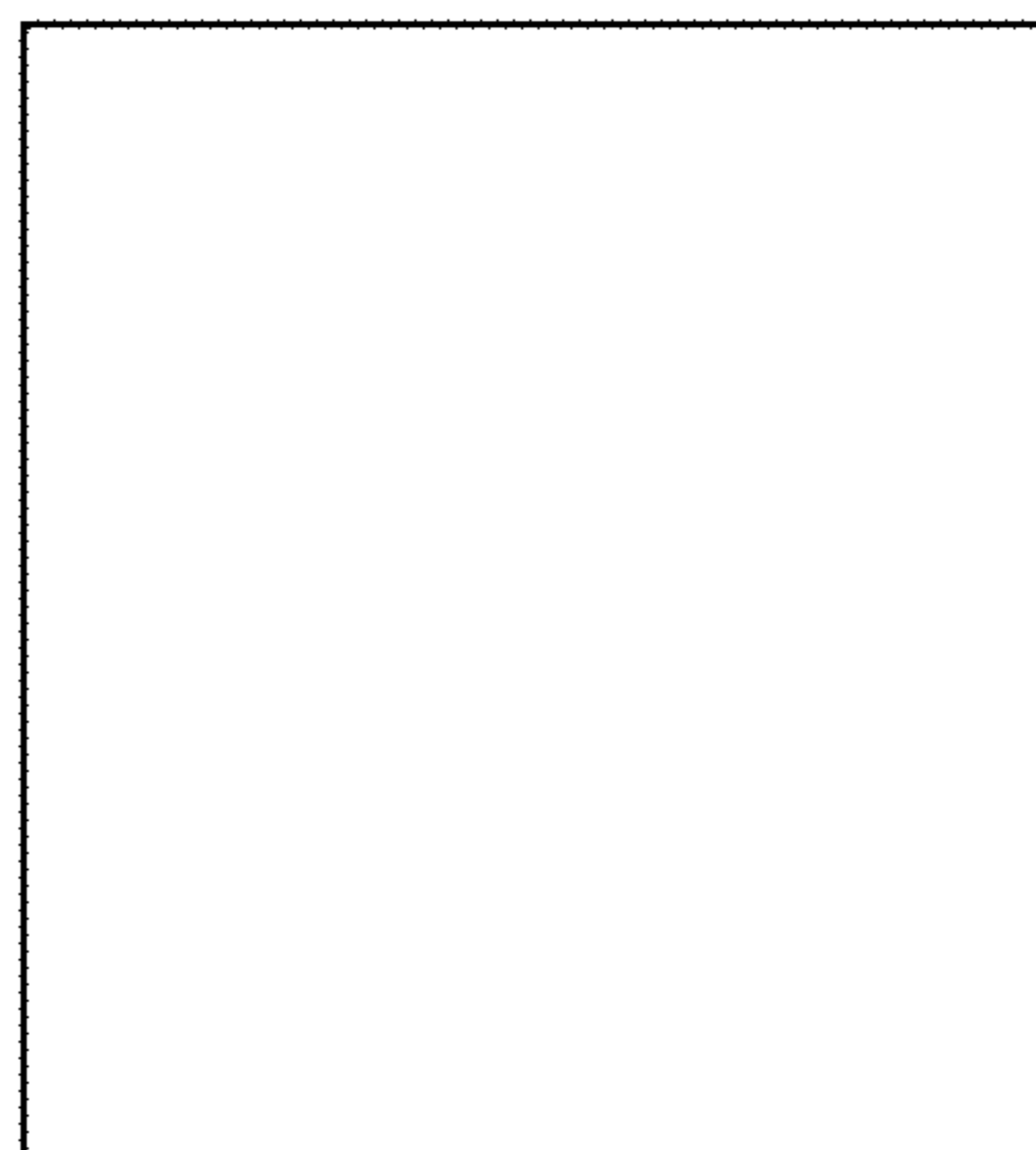


FIG. 12

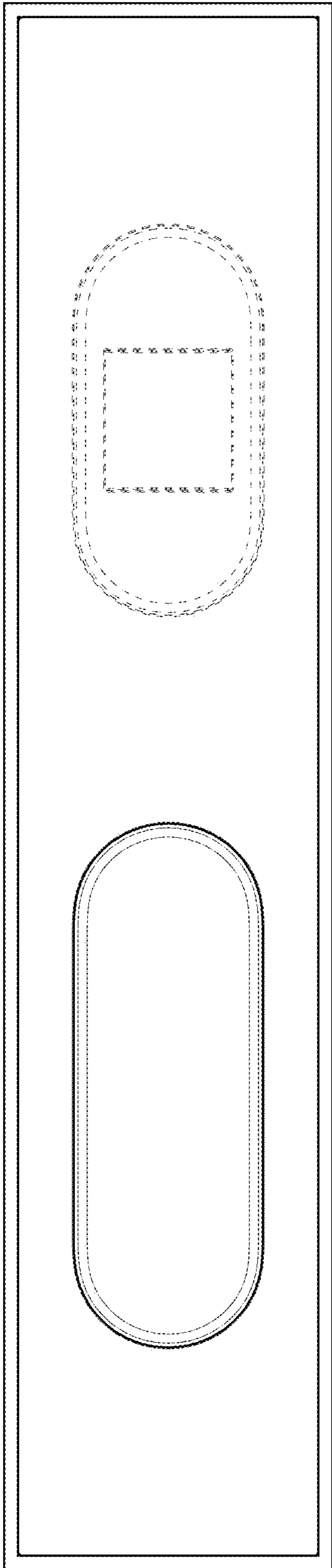


FIG. 14

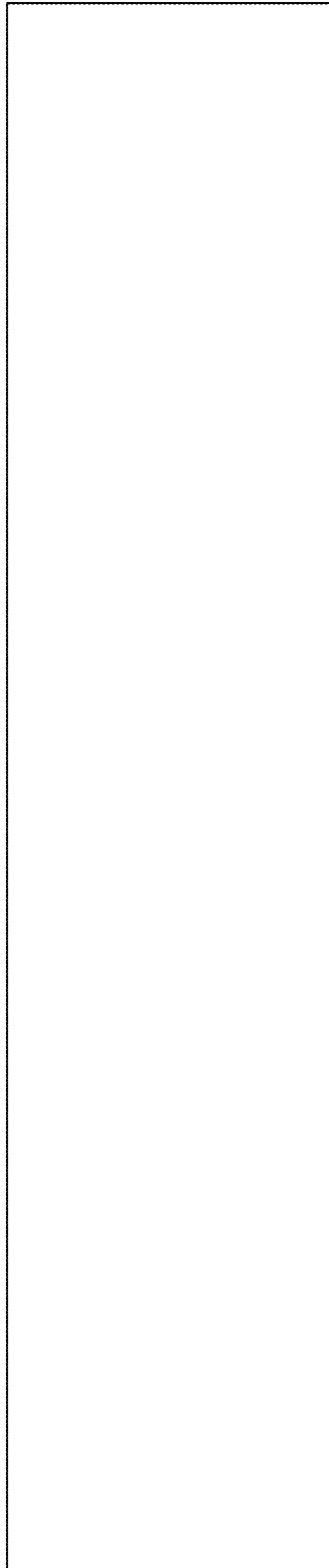


FIG. 15