



US00D942273S

(12) **United States Design Patent** (10) **Patent No.:** **US D942,273 S**  
**Bravman et al.** (45) **Date of Patent:** **\*\* Feb. 1, 2022**

(54) **BOTTLE CAP**

(56) **References Cited**

(71) Applicant: **Billie, Inc.**, New York, NY (US)

U.S. PATENT DOCUMENTS

(72) Inventors: **Jason Bravman**, New York, NY (US);  
**Georgina Gooley**, Brooklyn, NY (US);  
**Julia Nimocks**, Brooklyn, NY (US);  
**Noemie Le Coz**, Brooklyn, NY (US);  
**Dylan Johnson**, Brooklyn, NY (US);  
**Dilan Walpola**, Plano, TX (US); **Daniel Nelson**, Plano, TX (US)

D105,858 S \* 8/1937 Fleisch ..... D9/453  
D138,313 S \* 7/1944 Derham ..... D9/453  
D144,101 S \* 3/1946 Botelho ..... D28/85  
D152,625 S \* 2/1949 Kronman ..... D9/453  
D156,193 S \* 11/1949 Baron ..... D9/453  
D184,083 S \* 12/1958 Crabbe ..... D9/453  
D296,672 S \* 7/1988 Bouthillier ..... D9/436  
D453,109 S \* 1/2002 Piquet ..... D9/451  
D478,393 S \* 8/2003 Alduby ..... D26/118  
D693,683 S \* 11/2013 Ramsey ..... D9/453  
D739,083 S \* 9/2015 Ho ..... D28/85  
D782,312 S \* 3/2017 Soriano Tato ..... D9/453  
D793,172 S \* 8/2017 Medina ..... D7/624.2  
D869,275 S \* 12/2019 Taunk ..... D9/453

(73) Assignee: **Billie, Inc.**, New York, NY (US)

(\*\*) Term: **15 Years**

(Continued)

(21) Appl. No.: **29/719,084**

FOREIGN PATENT DOCUMENTS

(22) Filed: **Dec. 31, 2019**

JP D1391114 \* 6/2010

(51) **LOC (13) Cl.** ..... **09-07**

(52) **U.S. Cl.**

OTHER PUBLICATIONS

USPC ..... **D9/452**

Fluted Silver Cap: Site Visited [May 19, 2021]. Available from Internet URL: <https://nextgenguitars.ca/products/fluted-silver-cap-knob-small-choose-colour.html>.\*

(58) **Field of Classification Search**

USPC ..... D7/509, 510, 511, 624.1, 387, 391, 392, D7/392.1, 393, 396.1, 396, 2, 400, 561, D7/396.4, 401.1; D9/434, 435, 439, 445, D9/447, 451, 452, 454; D23/259, 260, D23/261, 209, 210; D24/162, 127; D28/76, 85, 91.1; D8/300, 303, 321, D8/322; D26/118, 119, 125, 122, 130  
CPC ... B65D 1/00; B65D 1/02; B65D 1/10; B65D 1/46; B65D 2585/56; B65D 2585/545; B65D 41/00; B65D 41/38; B65D 41/56; B65D 41/62; B65D 47/00; B65D 47/06; B65D 47/08; B65D 23/00; B65D 51/1694; B65D 43/0212; B65D 43/0208; B65D 2543/00046; B65D 2543/00092; B65D 1/24; B65D 25/04; B65D 43/09; B65D 43/16; A61J 1/00; A61J 1/1412; A61J 1/02

*Primary Examiner* — Catherine S Posthauer  
(74) *Attorney, Agent, or Firm* — Lowenstein Sandler LLP

(57) **CLAIM**

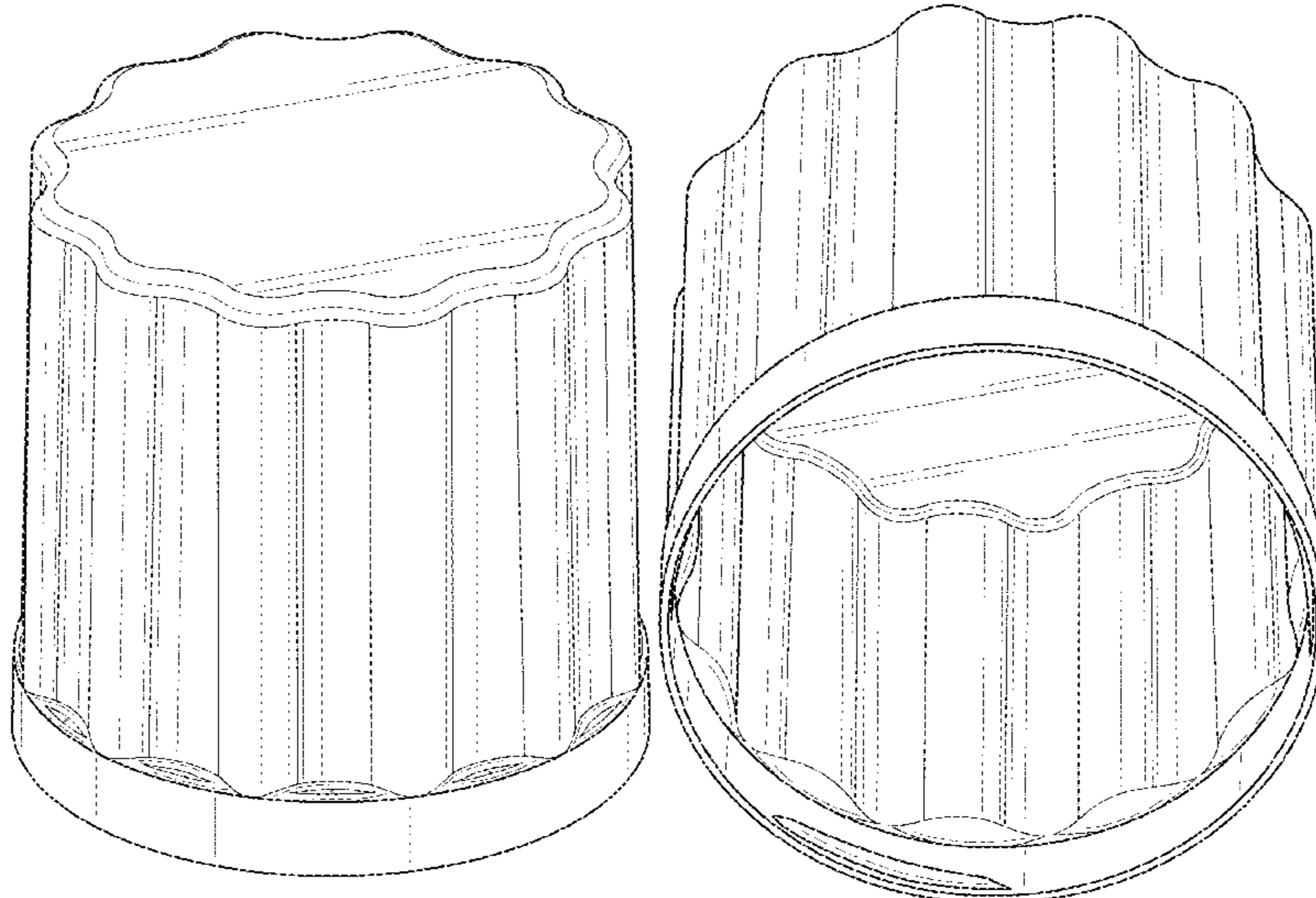
The ornamental design for a bottle cap, as shown and described.

**DESCRIPTION**

FIG. 1 is an outer perspective view of a bottle cap in accordance with the present invention; FIG. 2 is an inner perspective view thereof; FIG. 3 is an elevation view thereof; FIG. 4 is a top plan view thereof; and, FIG. 5 is a bottom plan view thereof.

See application file for complete search history.

**1 Claim, 4 Drawing Sheets**



(56)

**References Cited**

U.S. PATENT DOCUMENTS

D884,474 S \* 5/2020 Pinard ..... D9/452  
D889,263 S \* 7/2020 Scharf ..... D9/452  
D903,493 S \* 12/2020 Tian ..... D9/453

\* cited by examiner

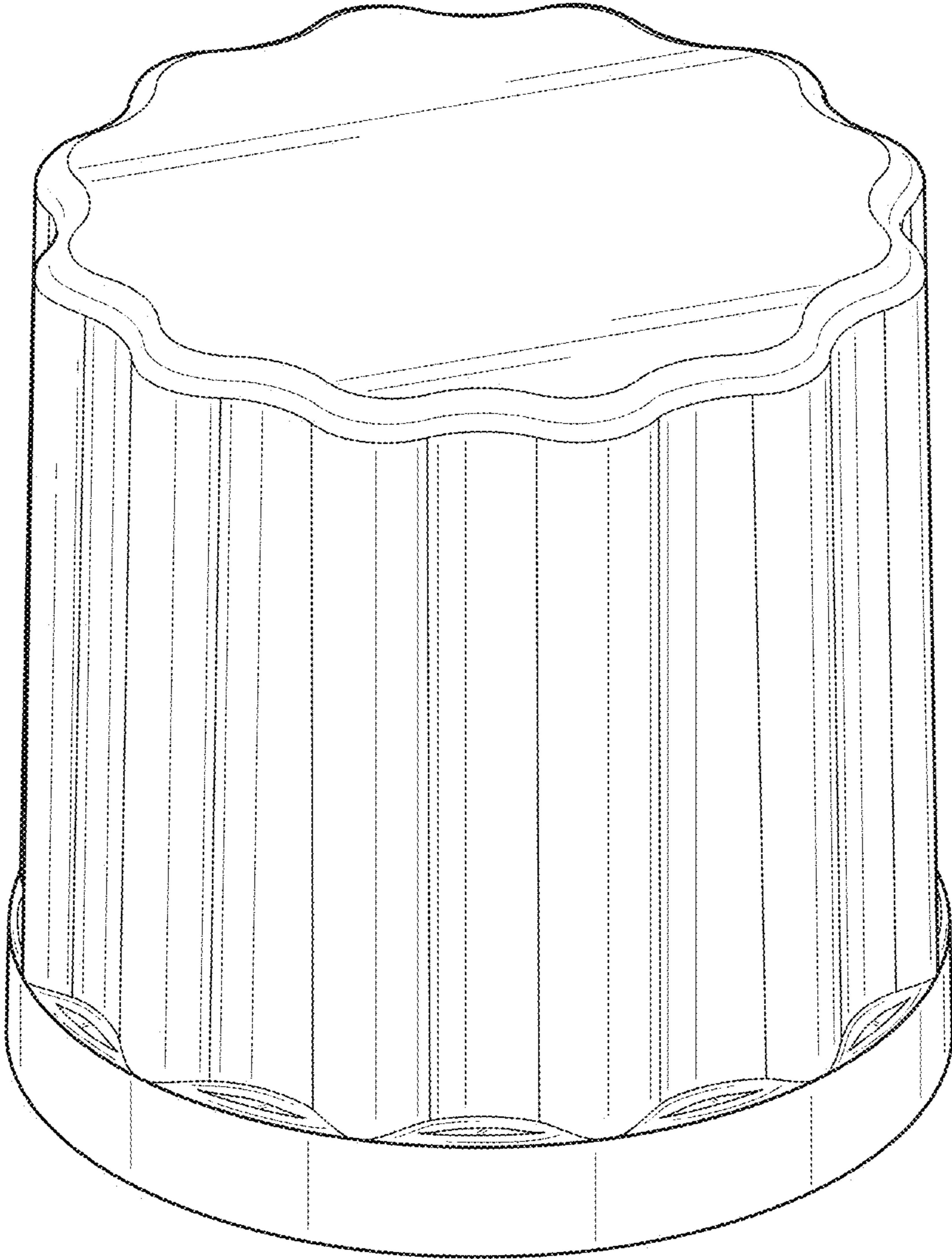


FIG. 1

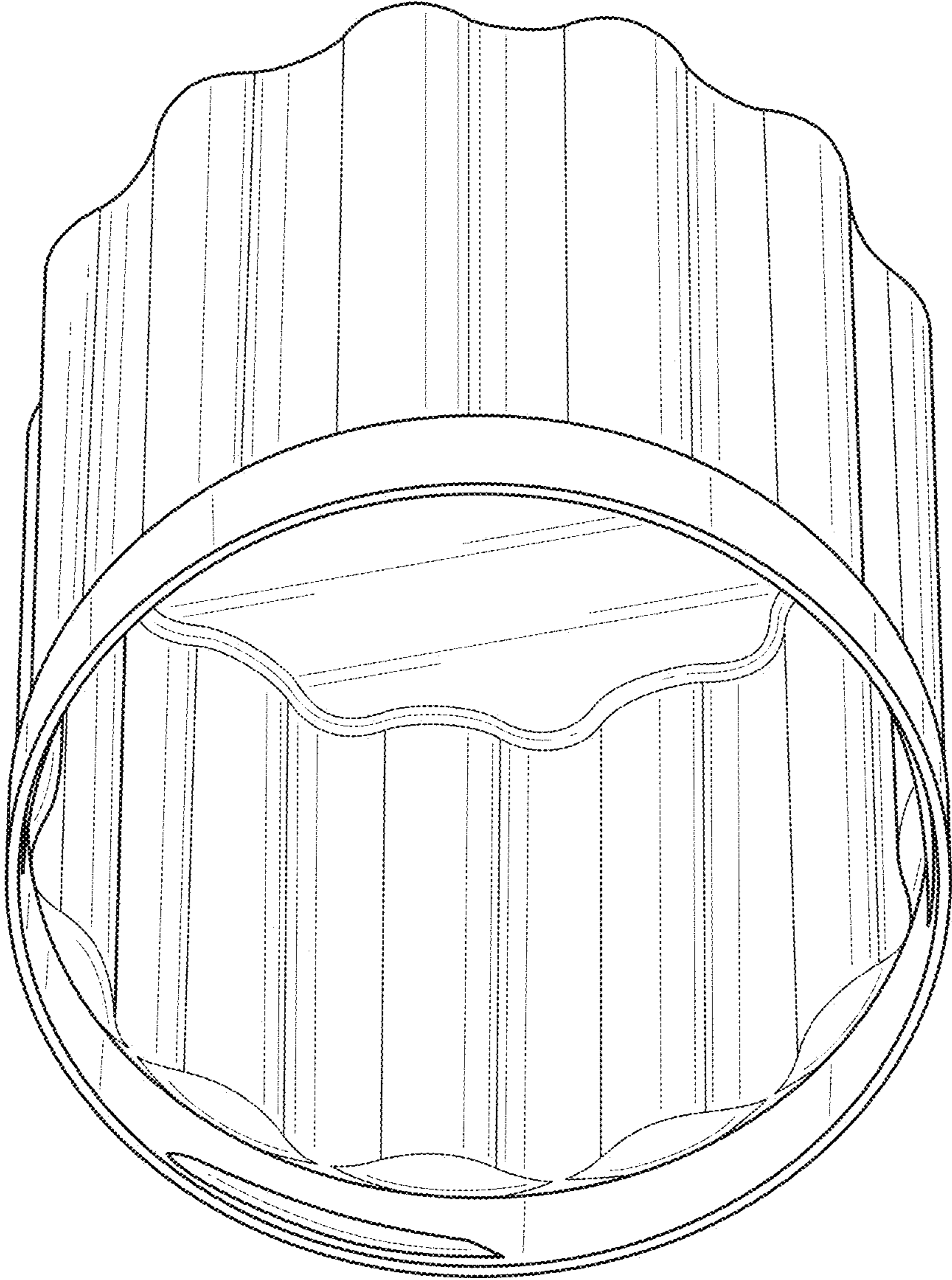


FIG. 2

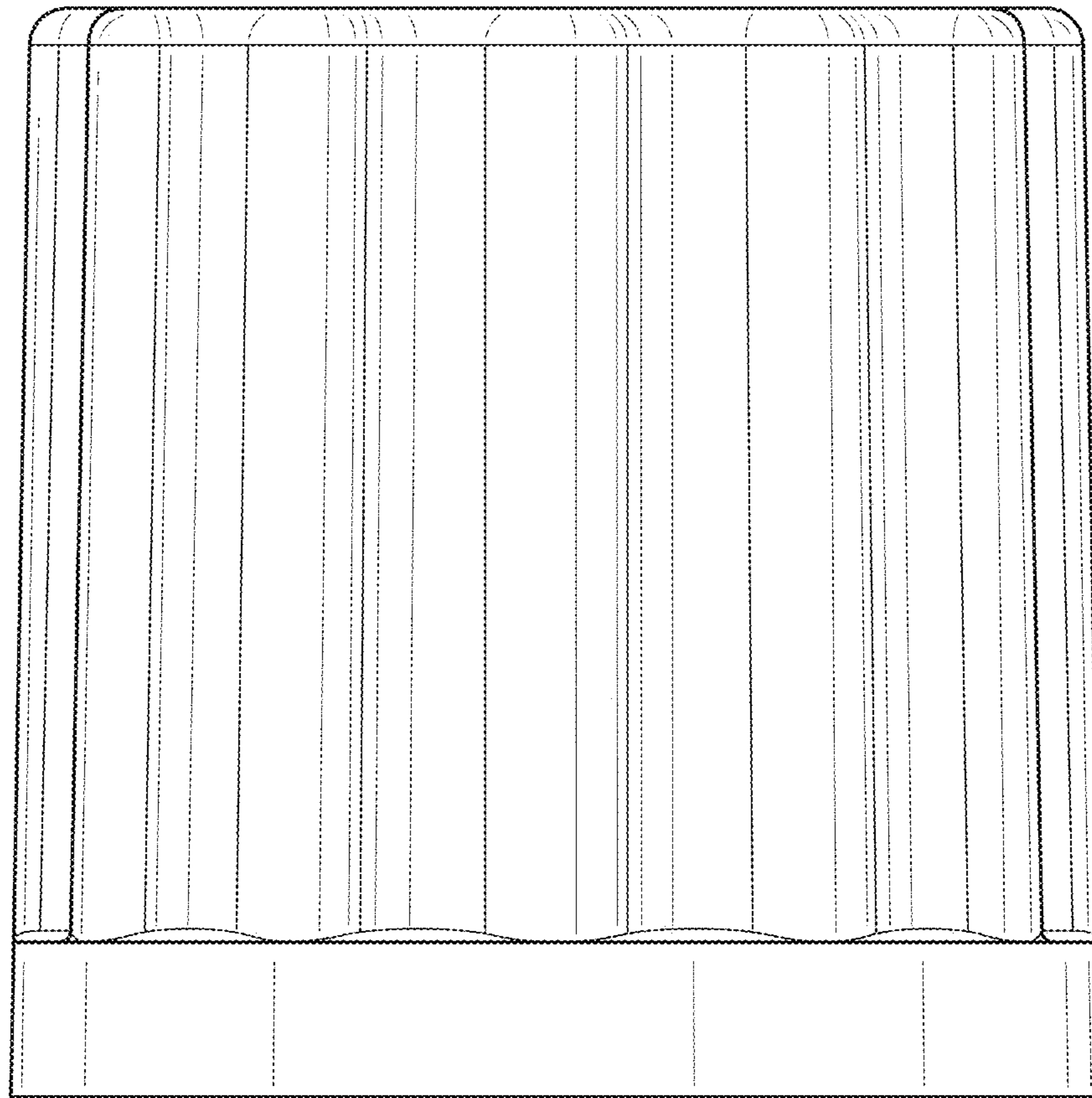


FIG. 3

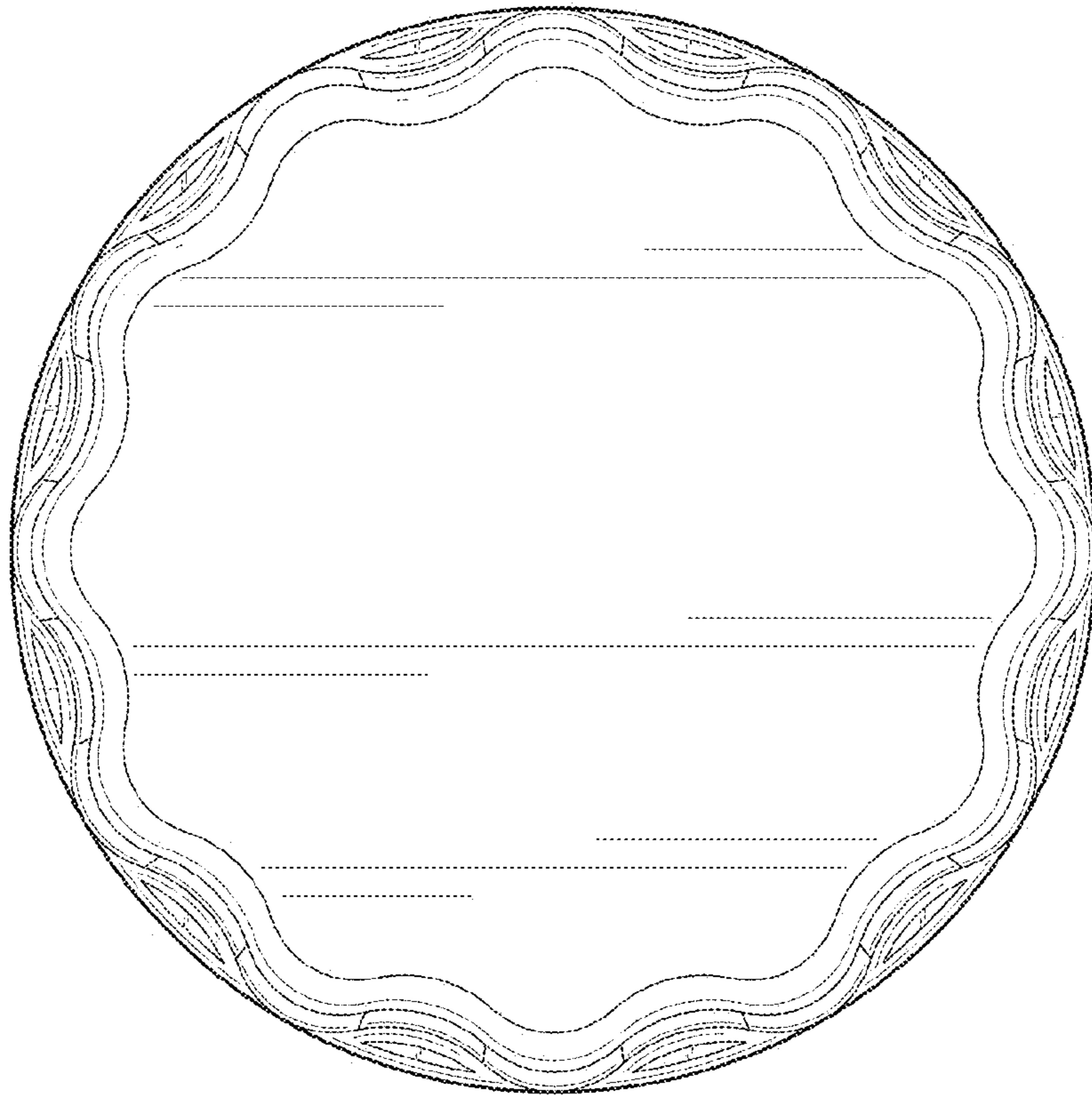


FIG. 4

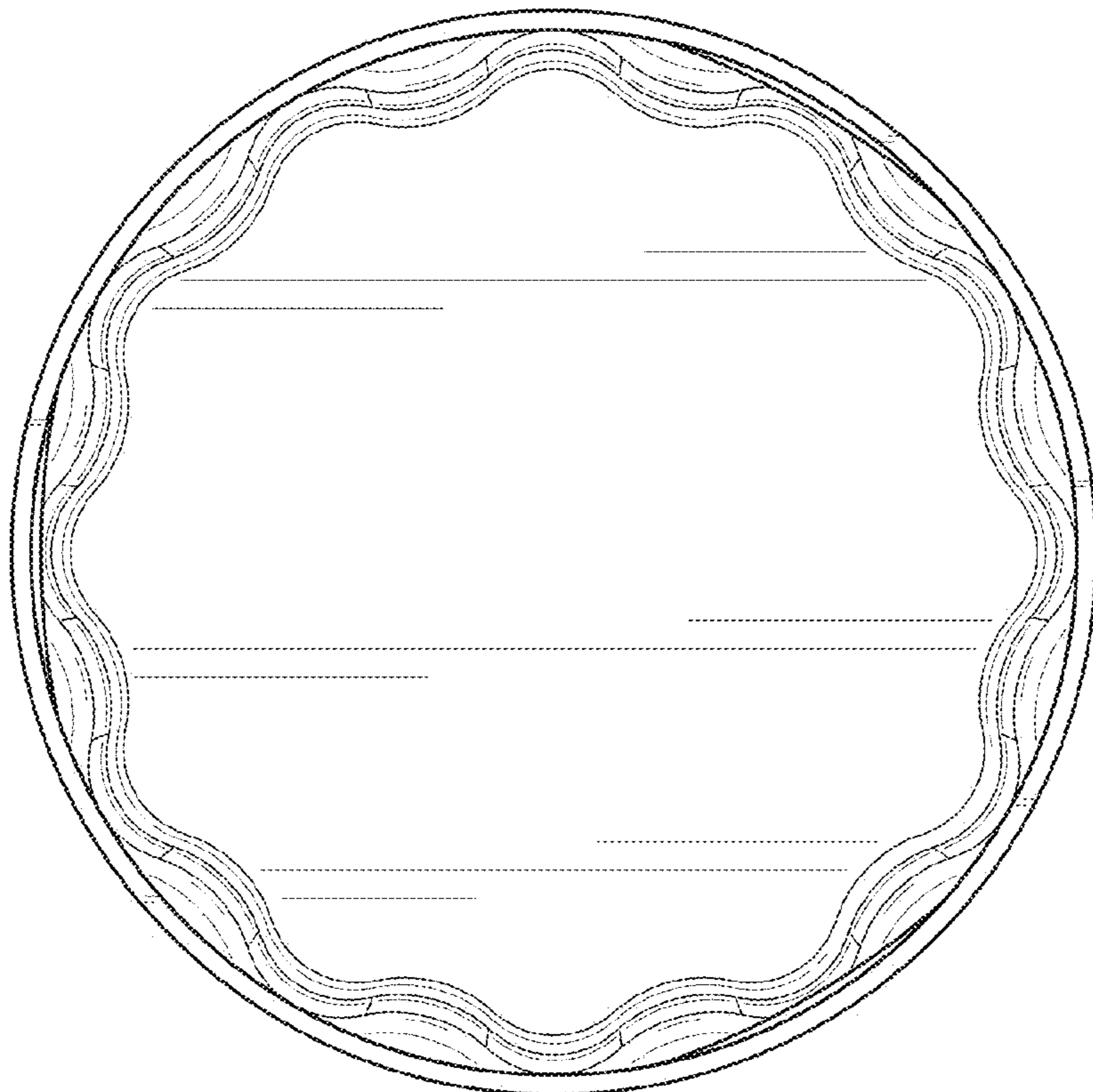


FIG. 5