



US00D942271S

(12) **United States Design Patent** (10) **Patent No.:** **US D942,271 S**  
**Lupberger et al.** (45) **Date of Patent:** **\*\* Feb. 1, 2022**

(54) **DETERGENT BOTTLE PUMP HEAD**

D471,105 S \* 3/2003 Gonzalez ..... D9/448  
D499,966 S \* 12/2004 Arminak ..... D9/448  
D504,620 S \* 5/2005 Kazuo ..... D9/685

(71) Applicant: **BOCKS INC.**, New York, NY (US)

(Continued)

(72) Inventors: **Ryan Lupberger**, New York, NY (US);  
**Zachary Bedrosian**, New York, NY  
(US); **Sina Sohrab**, New York, NY  
(US); **Joseph Guerra**, New York, NY  
(US)

FOREIGN PATENT DOCUMENTS

CN 304824827 \* 9/2018

OTHER PUBLICATIONS

SandraTWP, Aug. 22, 2015, Amazon review Post, URL: [\(Continued\)](https://www.amazon.com/dp/B010QSLZJA/ref=sspa_dk_detail_2?psc=1&pd_rd_i=B010QSLZJA&pd_rd_w=1zlhX&pf_rd_p=5d846283-ed3e-4512-a744-a30f97c5d738&pd_rd_wg=TeE9S&pf_rd_r=X5T4NG6JN90N1P4EKS4&pd_rd_r=66c2e737-7d18-4958-ac66-3730eb9a897f&spLa=ZW5jenlwdGVkUXVhbGlmaWVyP (Year: 2015).*</p></div>
<div data-bbox=)

*Primary Examiner* — Brett Miller

*Assistant Examiner* — Rani J Abdallah

(74) *Attorney, Agent, or Firm* — Ignacio Bellver

(73) Assignee: **Bocks Inc.**, New York, NY (US)

(\*\*) Term: **15 Years**

(21) Appl. No.: **29/737,122**

(22) Filed: **Jun. 5, 2020**

(51) **LOC (13) Cl.** ..... **09-01**

(52) **U.S. Cl.**

USPC ..... **D9/448**

(58) **Field of Classification Search**

USPC ..... D9/439, 440, 442-449, 682, 685, 686,  
D9/435, 450, 454, 683, 684, 687-694,  
D9/723; D6/515; D7/507, 509-511, 523,  
D7/391, 392, 392.1, 396.2

CPC .... B65D 83/205; B65D 83/206; B65D 83/40;  
B65D 2543/00046; A47G 19/2272

See application file for complete search history.

(57) **CLAIM**

The ornamental design for a detergent bottle pump head, as shown and described.

(56) **References Cited**

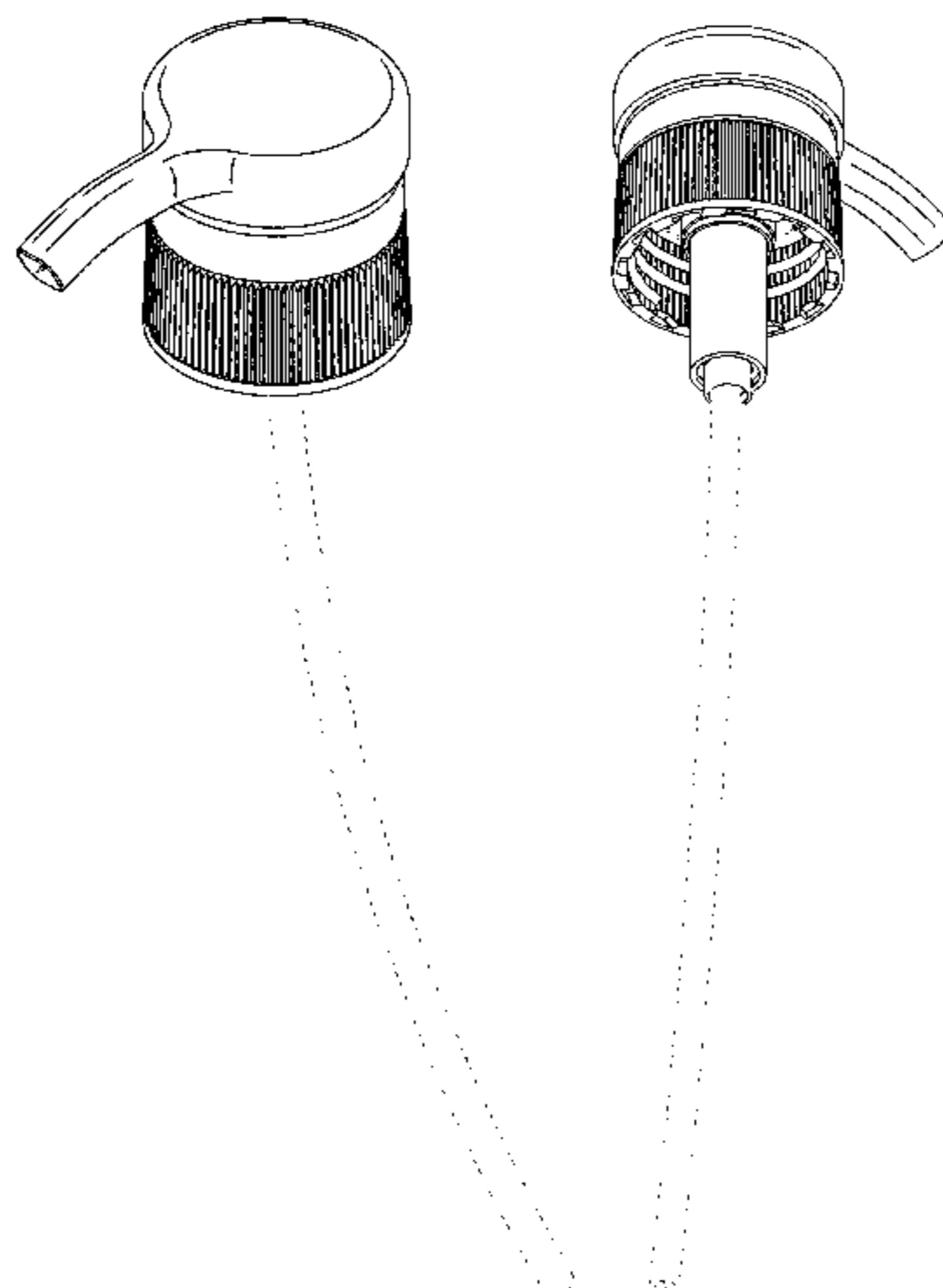
U.S. PATENT DOCUMENTS

D193,037 S	6/1962	Harnage	
3,590,691 A	7/1971	Magers	
D233,413 S	10/1974	Pietsch	
D253,398 S *	11/1979	Niemeyer	D9/448
D351,794 S	10/1994	Foster	
D378,736 S	4/1997	McPhilliamy	
D381,580 S *	7/1997	Kokenge	D9/447
D389,407 S	1/1998	Mascitelli	
D392,887 S *	3/1998	Wadsworth	D9/448
D400,102 S	10/1998	Tada	
D418,755 S	1/2000	Duriat	
D427,527 S	7/2000	Wise	
D441,654 S *	5/2001	Sayers	D9/448
D456,262 S	4/2002	Cummings	

**DESCRIPTION**

FIG. 1 is a top right perspective view of a detergent bottle pump head showing the new design; FIG. 2 is a front side plain view thereof; FIG. 3 is a right side plain view thereof; FIG. 4 is a left side plain view thereof; FIG. 5 is a top plain view thereof; FIG. 6 is a cross sectional view of the detergent bottle pump head, taken along lines 6-6 of FIG. 5; FIG. 7 is a bottom left perspective view thereof; and, FIG. 8 is a bottom plain view our detergent bottle pump head design.

(Continued)



The broken lines depict portions of the article that form no part of the claimed design.

**1 Claim, 8 Drawing Sheets**

(56)

**References Cited**

U.S. PATENT DOCUMENTS

D507,486 S *	7/2005	Wang .....	D9/448
D528,913 S *	9/2006	Penfold .....	D9/448
D534,425 S *	1/2007	Kuo .....	D9/448
D536,971 S	2/2007	Arminak .....	
D574,707 S *	8/2008	Pietrowski .....	D9/448
D598,750 S *	8/2009	Boes .....	D9/448
D626,858 S *	11/2010	Oates .....	D9/682
D636,261 S *	4/2011	Michitsuji .....	D9/448
D636,262 S *	4/2011	Michitsuji .....	D9/448
D654,361 S *	2/2012	Hirata .....	D9/448
D665,667 S	8/2012	Ghiorghie .....	
D716,665 S *	11/2014	O'Donahue .....	D9/682
D717,178 S *	11/2014	Brewer .....	D9/693
D730,733 S *	6/2015	O'Donahue .....	D9/448
D731,888 S *	6/2015	O'Donahue .....	D9/448
D747,972 S *	1/2016	Allan .....	D9/682
D748,490 S *	2/2016	Allan .....	D9/694
D748,491 S *	2/2016	Jin .....	D9/682
D752,991 S *	4/2016	Ober .....	D9/691
D773,847 S	12/2016	Lord .....	
D794,452 S	8/2017	Chan .....	

D810,566 S *	2/2018	Kuo .....	D9/448
D825,100 S	8/2018	Estrella .....	
D840,828 S *	2/2019	Demarest .....	B05B 7/0037
			D9/448
D847,657 S *	5/2019	Oates .....	B05B 11/3074
			D9/682
D875,526 S	2/2020	Bos .....	
D895,432 S *	9/2020	Yoshioka .....	B05B 11/3047
			D9/682
D920,127 S *	5/2021	Allan .....	B05B 15/30
			D9/682
2010/0006606 A1 *	1/2010	Lee .....	B05B 11/0094
			222/383.1
2011/0011895 A1 *	1/2011	Michitsuji .....	B05B 15/30
			222/382
2011/0095055 A1 *	4/2011	Kakuta .....	B05B 11/3047
			222/321.9
2012/0006854 A1 *	1/2012	Carta .....	B05B 11/3074
			222/321.7
2012/0104048 A1 *	5/2012	Tseng .....	B05B 7/0037
			222/190

OTHER PUBLICATIONS

Cleancult, Oct. 6, 2019, Cleancult facebook Post, URL:<https://www.facebook.com/cleancult/photos/a.1699850986933766/2363398113912380/?type=3&theater> (Year: 2019).\*

Steen winther, Dec. 30, 2012, Soap Dispenser Pump, URL:<https://grabcad.com/library/soap-dispenser-pump> (Year: 2012).\*

\* cited by examiner

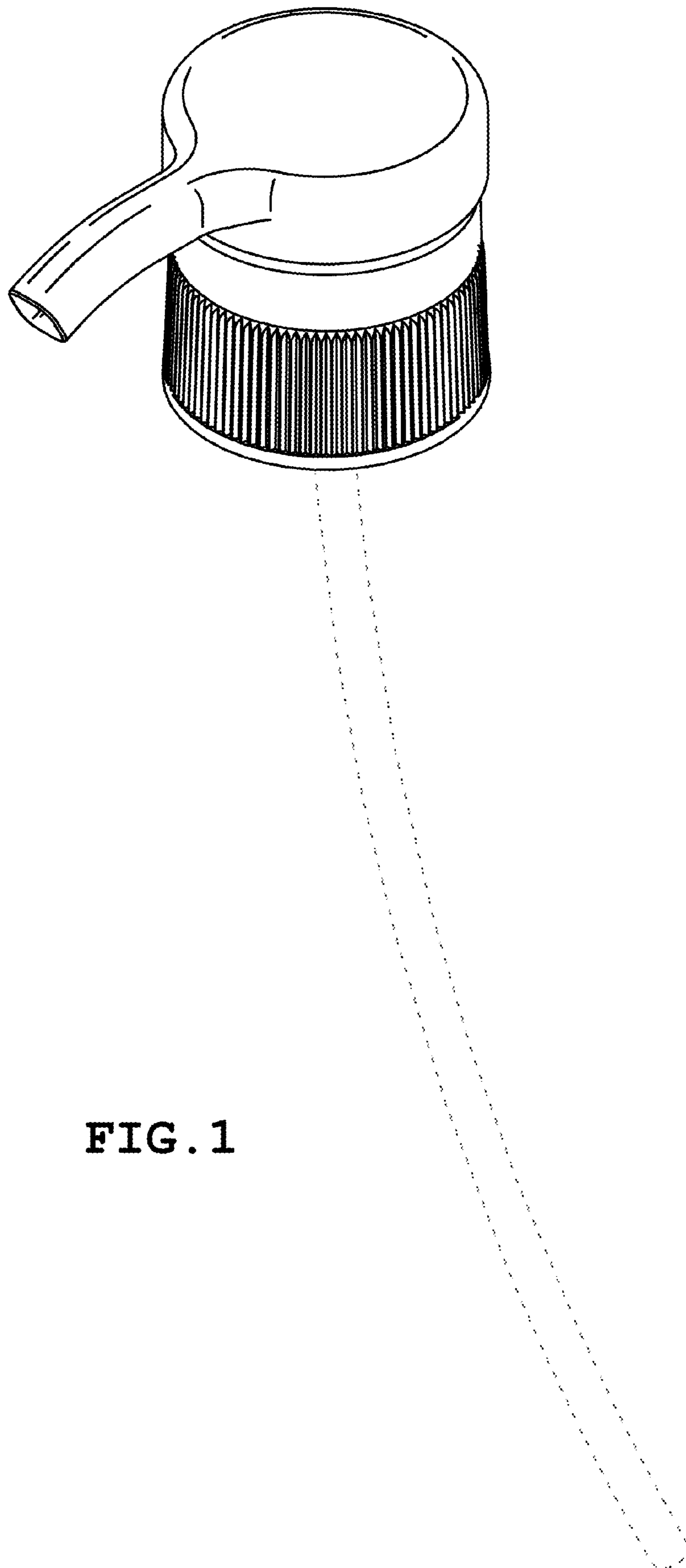


FIG. 1

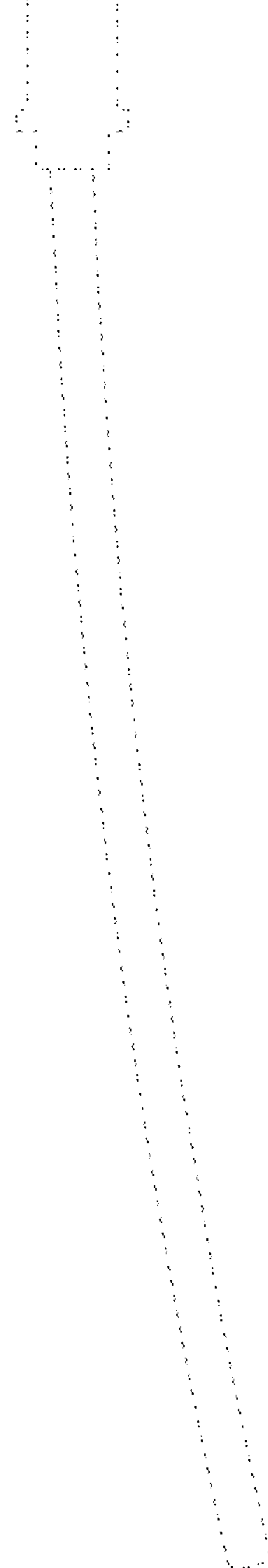
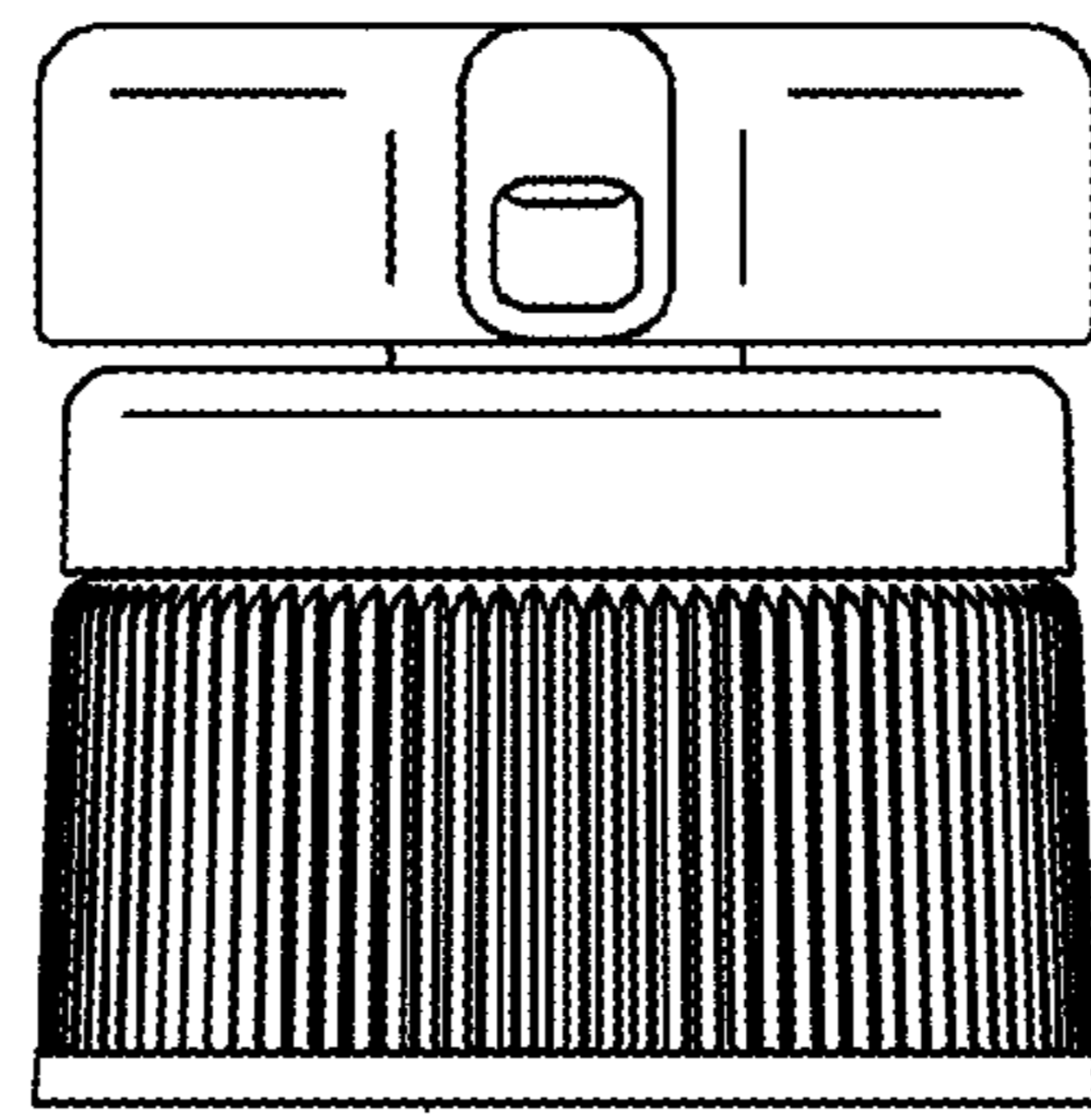


FIG. 2

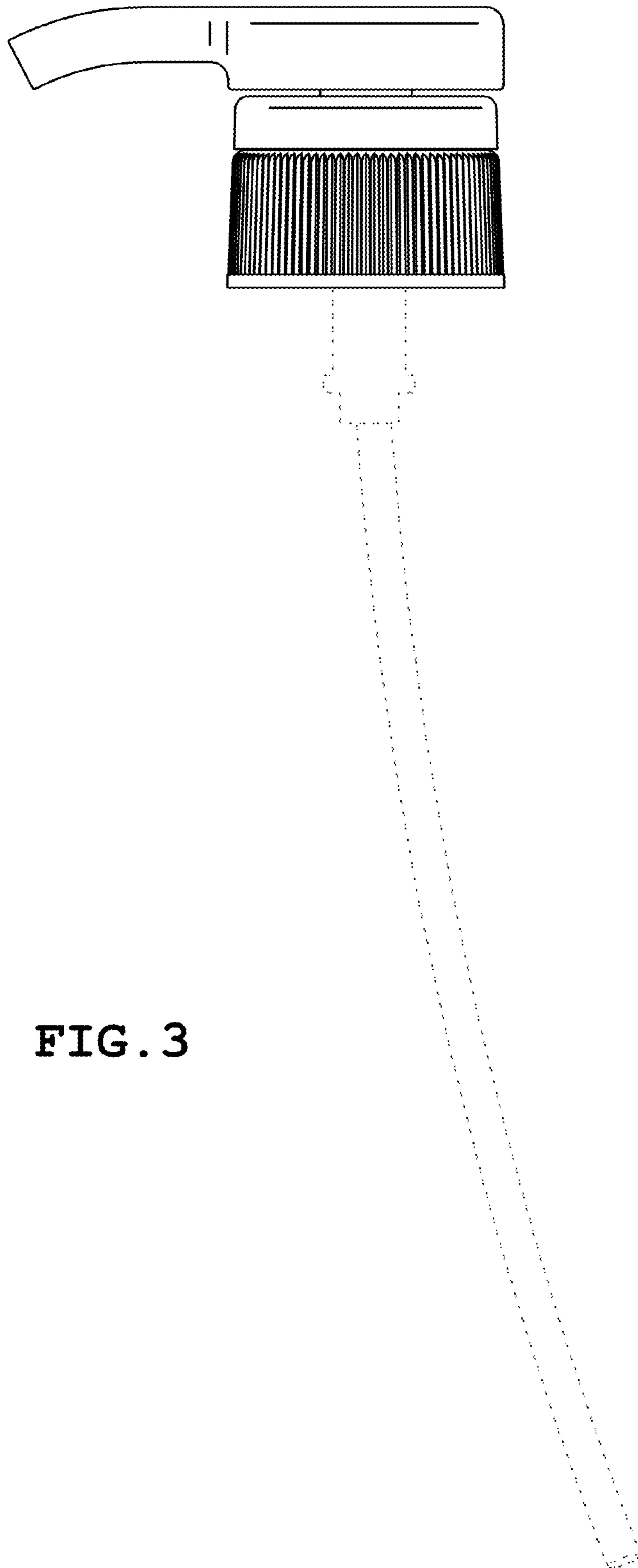


FIG. 3

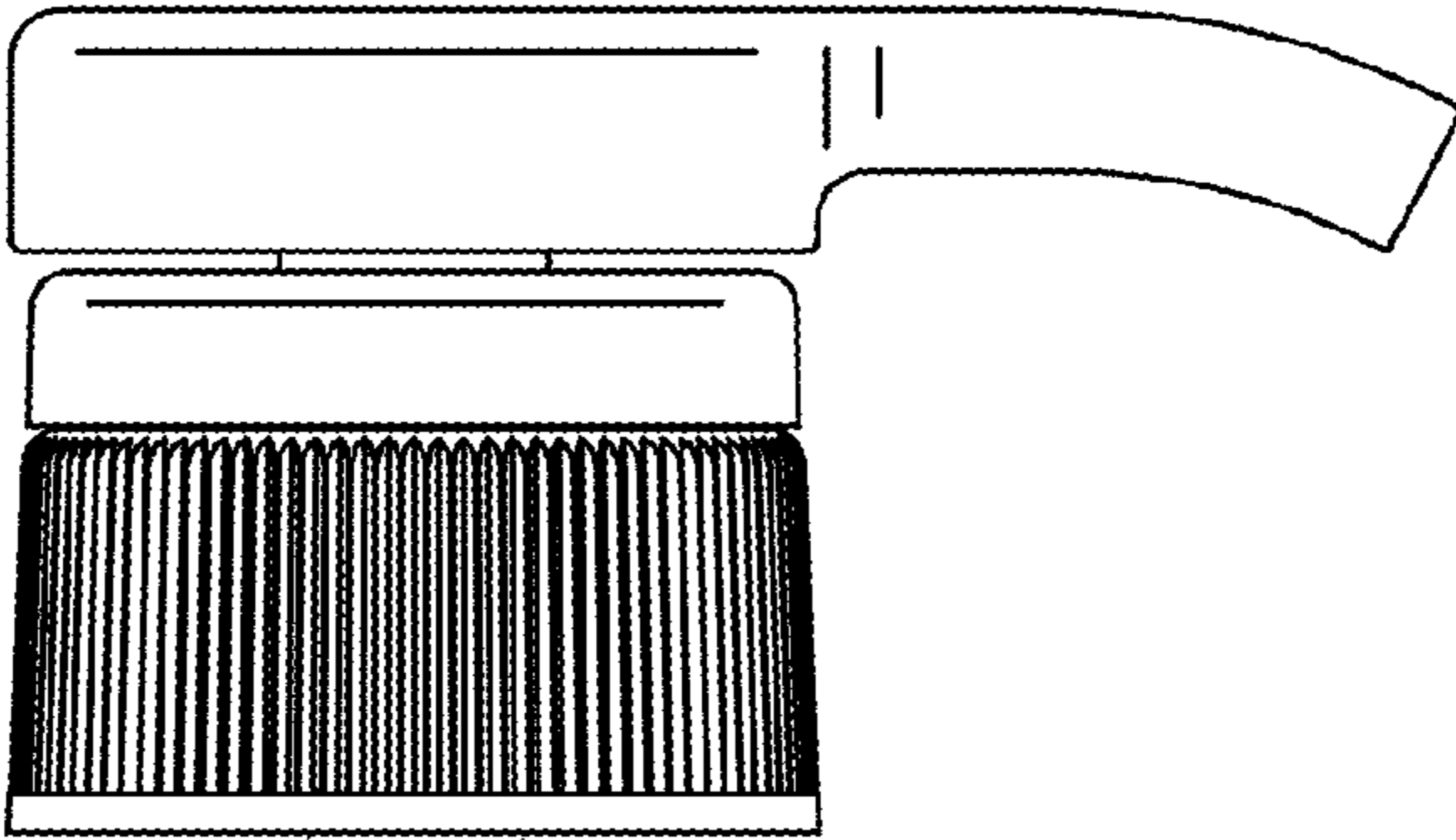
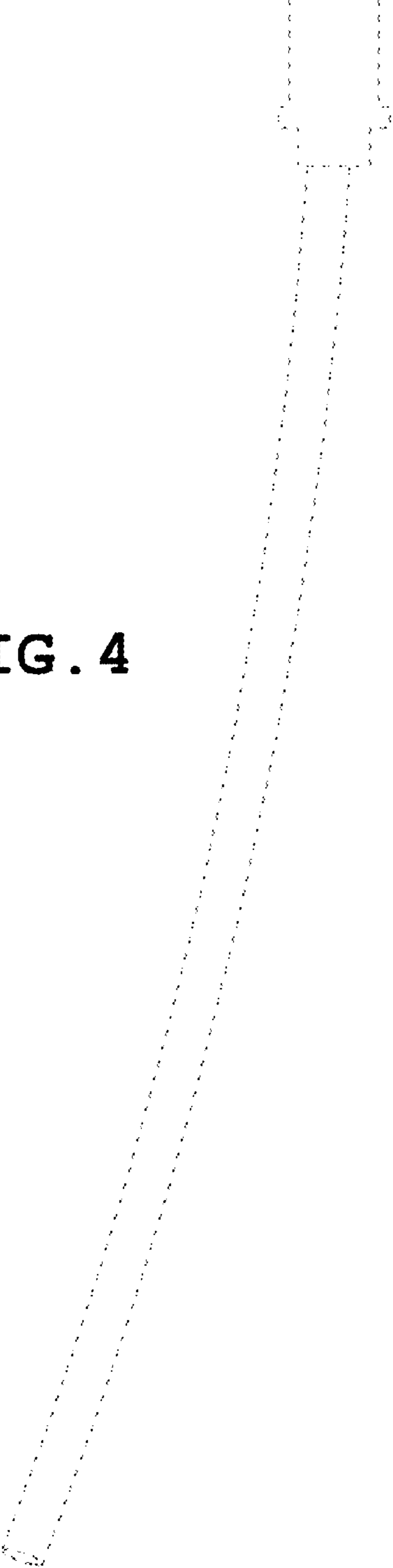


FIG. 4



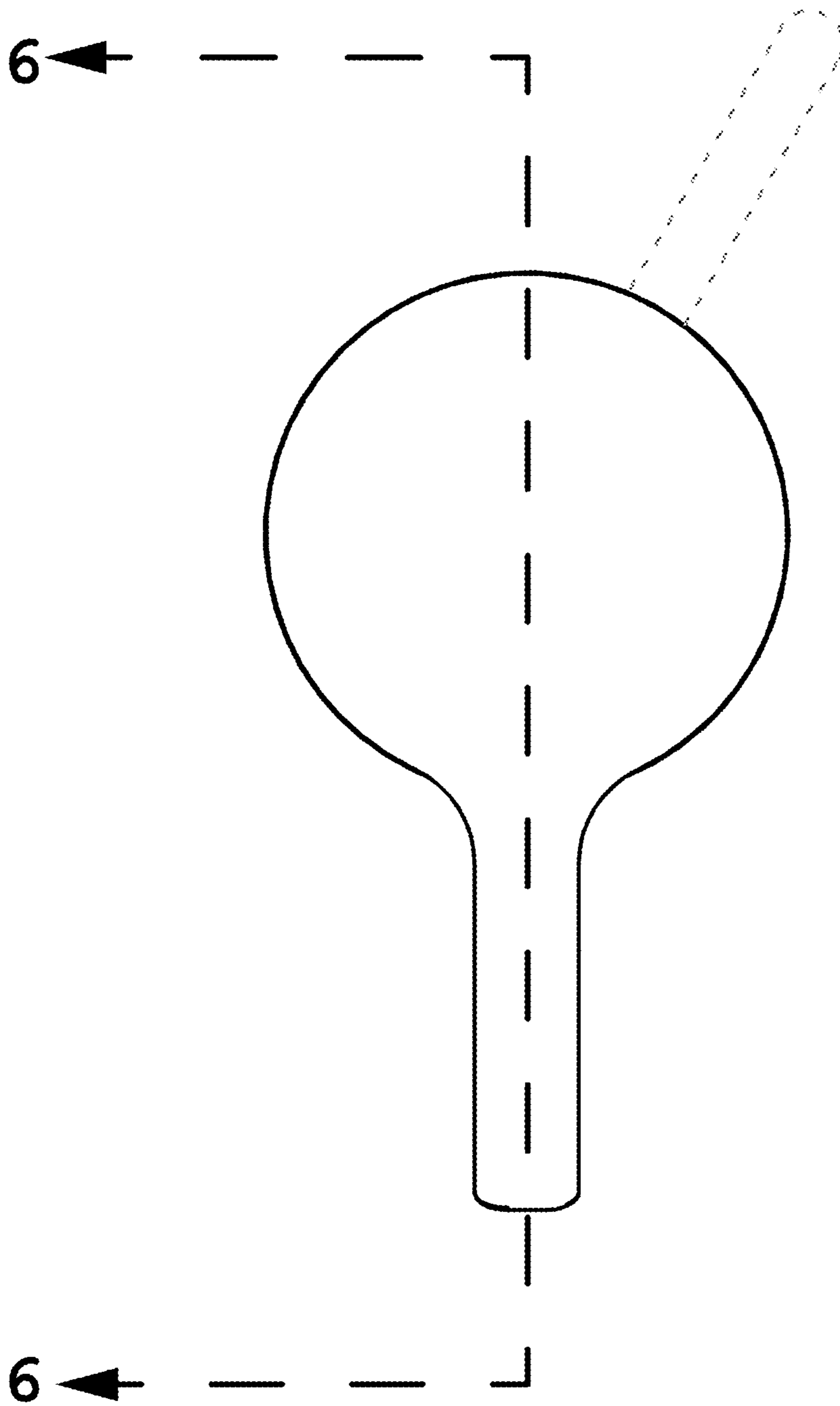


FIG. 5

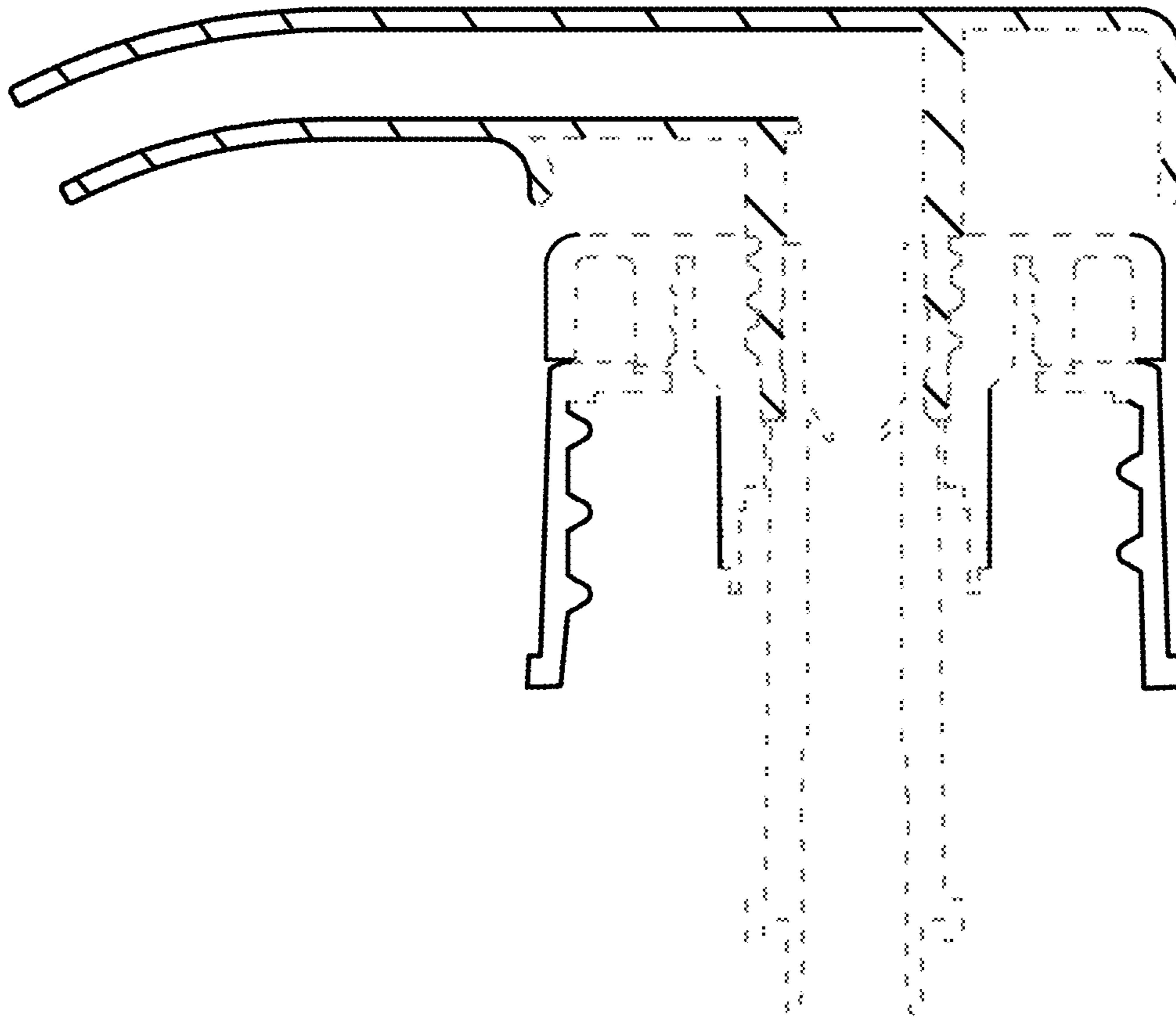


FIG. 6



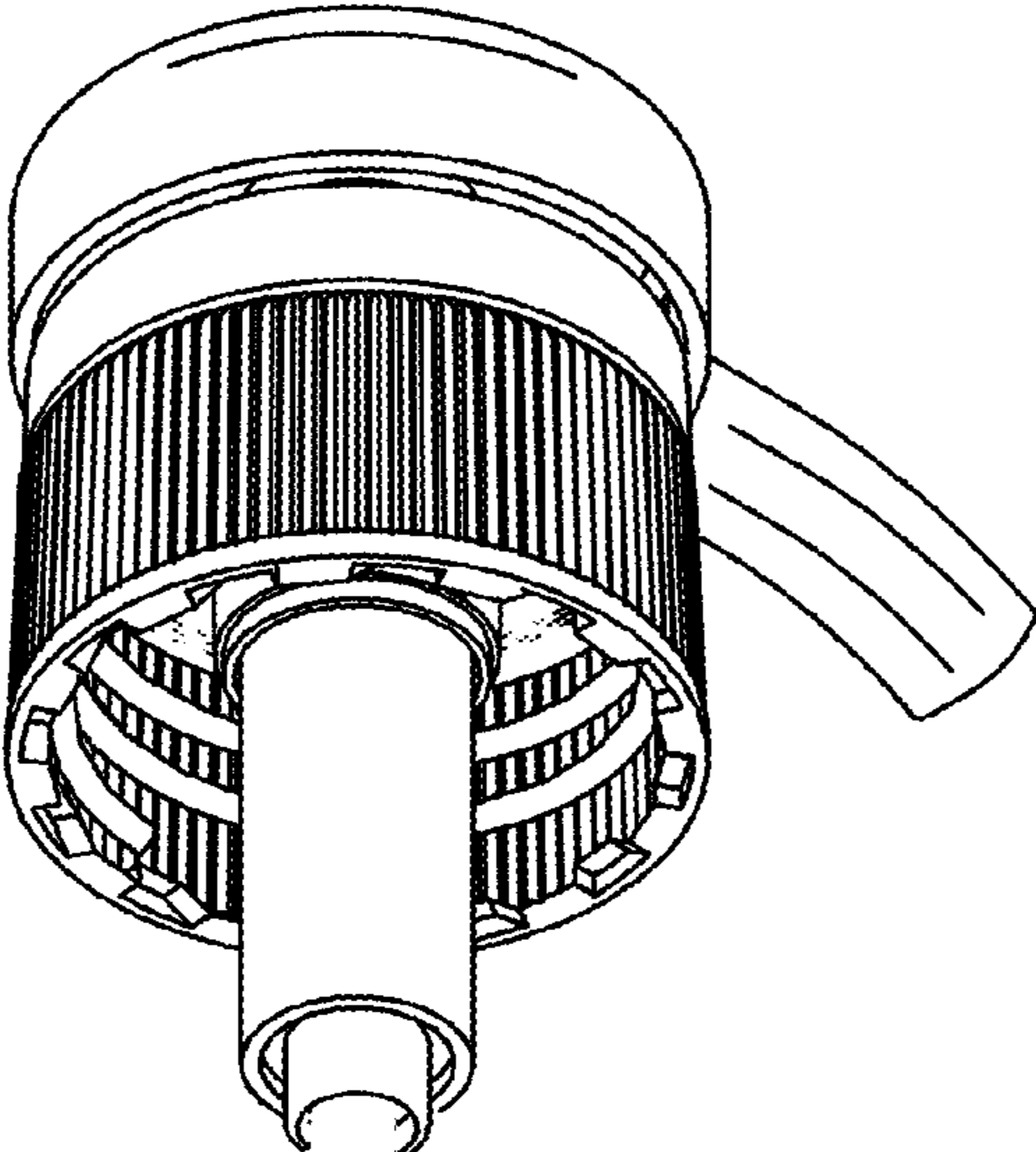


FIG. 7



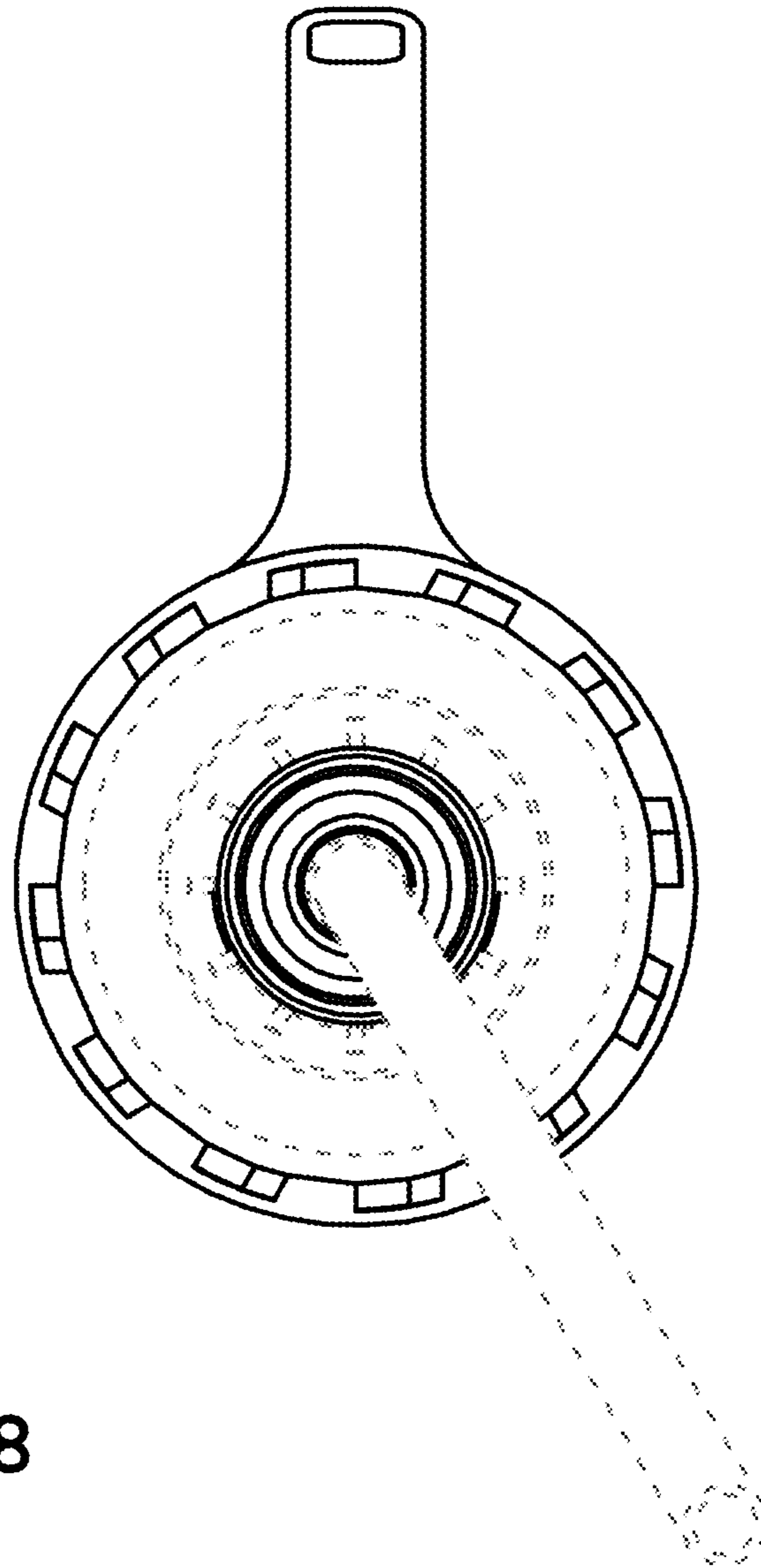


FIG. 8