

US00D942270S

(12) **United States Design Patent** (10) **Patent No.:** **US D942,270 S**
Jackson (45) **Date of Patent:** **** Feb. 1, 2022**

(54) **PLUG FOR A BEVERAGE CONTAINER LID**

(71) Applicant: **Facere Ltd.**, Fort Collins, CO (US)

(72) Inventor: **Christopher Lowell Jackson**, Fort Collins, CO (US)

(73) Assignee: **Facere Ltd.**, Fort Collins, CO (US)

(**) Term: **15 Years**

(21) Appl. No.: **29/673,536**

(22) Filed: **Dec. 14, 2018**

(51) **LOC (13) Cl.** **09-07**

(52) **U.S. Cl.**
USPC **D9/439**

(58) **Field of Classification Search**
USPC D3/202, 10, 17; D6/542, 550;
D7/509-511, 550.1, 601, 619.1, 624.1,
D7/635, 354, 387, 391, 392, 392.1, 396.1,
D7/396.2, 396.6, 612, 300, 300.2, 669,
D7/672, 682; D9/716, 719, 529, 434,
D9/435, 436, 438, 439, 440, 445, 447,
D9/448, 452, 454, 455, 763, 772, 503,
D9/516, 549, 417, 683; D23/206, 208,
D23/209, 210, 249, 259, 260, 261, 303;
D28/91.1; D18/14, 15, 18, 32, 56;
D8/404; D12/203; D15/72, 78
CPC .. B65D 43/0212; B65D 43/0218; B65D 1/36;
B65D 51/28; B65D 51/24; B65D
2543/00046; B65D 2543/00027; B65D
2543/00092; B65D 2543/00296; B65D
2543/00351; B65D 2543/00537; B65D
2543/00731; B65D 47/2018; B65D 47/06;
A47G 19/00; A47G 19/02; A47G 21/00;
A47G 21/06

See application file for complete search history.

(56) **References Cited**

U.S. PATENT DOCUMENTS

1,014,486 A * 1/1912 King G09F 3/04
40/310
D135,390 S * 3/1943 Lains D15/72
(Continued)

OTHER PUBLICATIONS

U.S. Appl. No. 29/705,349, filed Sep. 11, 2019, Jackson.
(Continued)

Primary Examiner — Catherine S Posthauer

(74) *Attorney, Agent, or Firm* — Craig R. Miles; CR Miles P.C.

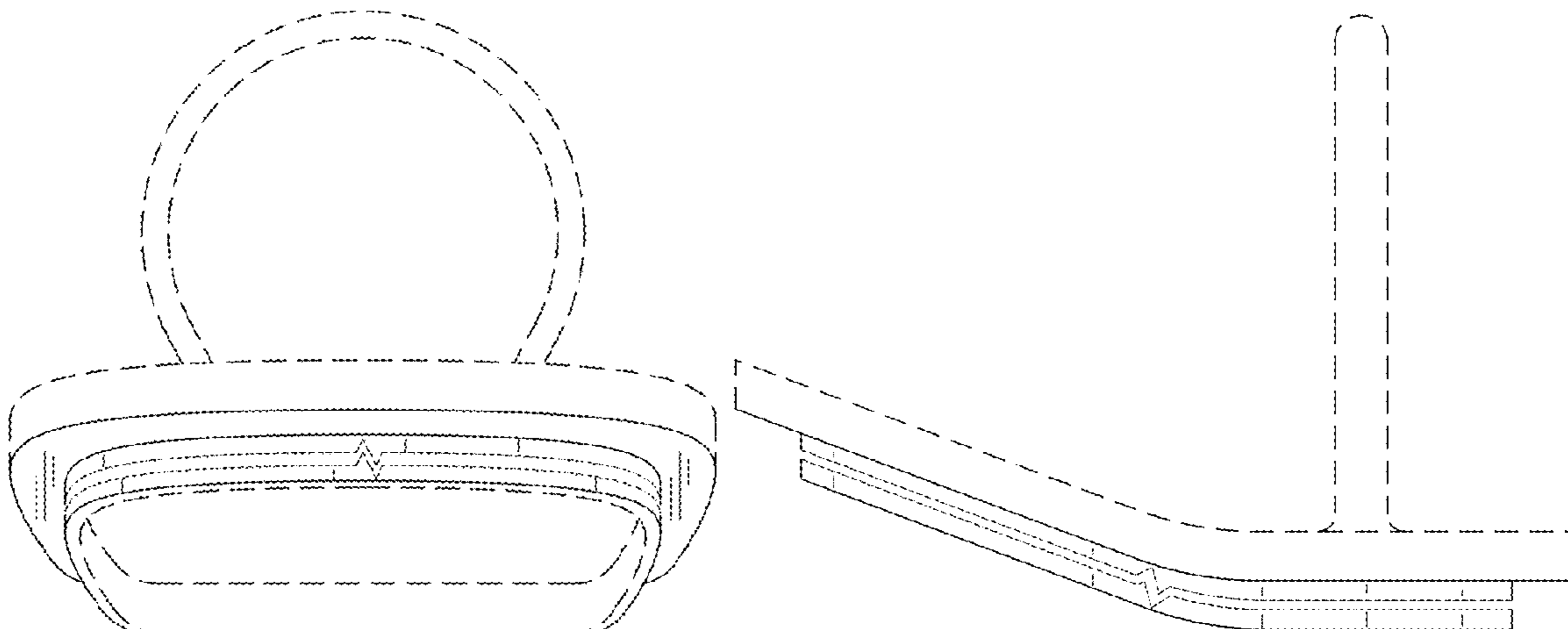
(57) **CLAIM**

The ornamental design for a plug for a beverage container lid, as shown and described.

DESCRIPTION

FIG. 1 is an isometric view of a plug for a beverage container lid, showing my new design in an exploded position of use with an exemplary lid and beverage container;
FIG. 2 is an isometric view thereof, showing the exemplary lid and beverage container removed to show aspects of the design not visible when combined;
FIG. 3 is a front elevation view thereof;
FIG. 4 is a rear elevation view thereof;
FIG. 5 is a left side elevation view thereof;
FIG. 6 is a right side elevation view thereof;
FIG. 7 is a top plan view thereof; and,
FIG. 8 is a bottom plan view thereof.
The broken lines are shown for the purpose of illustrating both parts of the article as well as environmental subject matter of an exemplary beverage container and lid. None of the broken lines form part of the claimed design.

(Continued)



The plug is shown with symbolic breaks in the structure using broken lines. The appearance of any portions of the plug between the broken lines forms no part of the claimed design.

1 Claim, 4 Drawing Sheets

(56)

References Cited

U.S. PATENT DOCUMENTS

2,723,111 A * 11/1955 Lawrence A47J 43/27
416/71
2,841,307 A * 7/1958 Yoder B65D 51/007
220/805
D189,309 S * 11/1960 Tupper D7/672
3,168,961 A * 2/1965 Yates F16B 21/086
220/787
3,542,231 A * 11/1970 Wettermann B65D 41/185
215/226
3,650,432 A * 3/1972 Easton B65D 17/506
220/801
D228,686 S * 10/1973 Tanner D15/72
D240,081 S * 5/1976 Russo D15/78
5,224,506 A * 7/1993 Allen A61H 3/04
135/67
5,713,664 A * 2/1998 Harilela B01F 13/0016
366/129
D403,135 S * 12/1998 de Cleir D1/105
5,894,952 A * 4/1999 Mendenhall A47G 19/2272
215/230
6,305,832 B1 * 10/2001 Huang A47G 21/00
362/120
6,644,490 B2 * 11/2003 Clarke B65D 43/0212
220/254.1

D590,650 S * 4/2009 Aoki D7/300.2
7,530,186 B2 * 5/2009 Kaliner B65D 51/245
220/254.1
D610,792 S * 3/2010 Ozuna D3/17
D628,791 S * 12/2010 Ozuna D3/17
D651,898 S * 1/2012 Hess D9/435
D659,465 S * 5/2012 Burns D7/392.1
D660,077 S * 5/2012 Burns D7/392.1
D664,001 S * 7/2012 Liu D7/510
D673,809 S * 1/2013 Burns D7/392.1
8,387,795 B1 * 3/2013 Rogers G09F 23/06
206/459.5
D753,999 S * 4/2016 Crosby D9/447
D800,518 S * 10/2017 Shieh D7/682
D813,584 S * 3/2018 Ludwig D7/300.2
D859,048 S * 9/2019 Murphy D7/300.2
D885,838 S * 6/2020 Tobias D7/510
D887,203 S * 6/2020 Pan D7/396.2
D890,568 S * 7/2020 Davis D7/396.2
2007/0023442 A1 * 2/2007 Auzenne B65D 39/0005
220/801
2007/0095833 A1 * 5/2007 Burns B65D 39/16
220/254.7
2020/0039684 A1 * 2/2020 Coffey B65D 51/1688
2020/0128982 A1 * 4/2020 Tseng A47G 19/2266

OTHER PUBLICATIONS

U.S. Appl. No. 29/705,387, filed Sep. 11, 2019, Jackson.
Starbucks Stories and News. Straws are out, lids are in: Starbucks announces environmental milestone. Website, <https://storied.starbucks.com>, originally downloaded Jul. 9, 2018, 8 pages.
Plastic Pollution Coalition. Cartoonists React to the Starbucks Announcement. Website, <http://www.plasticpollutioncoalition.org>, originally downloaded Jul. 27, 2018, 7 pages.

* cited by examiner

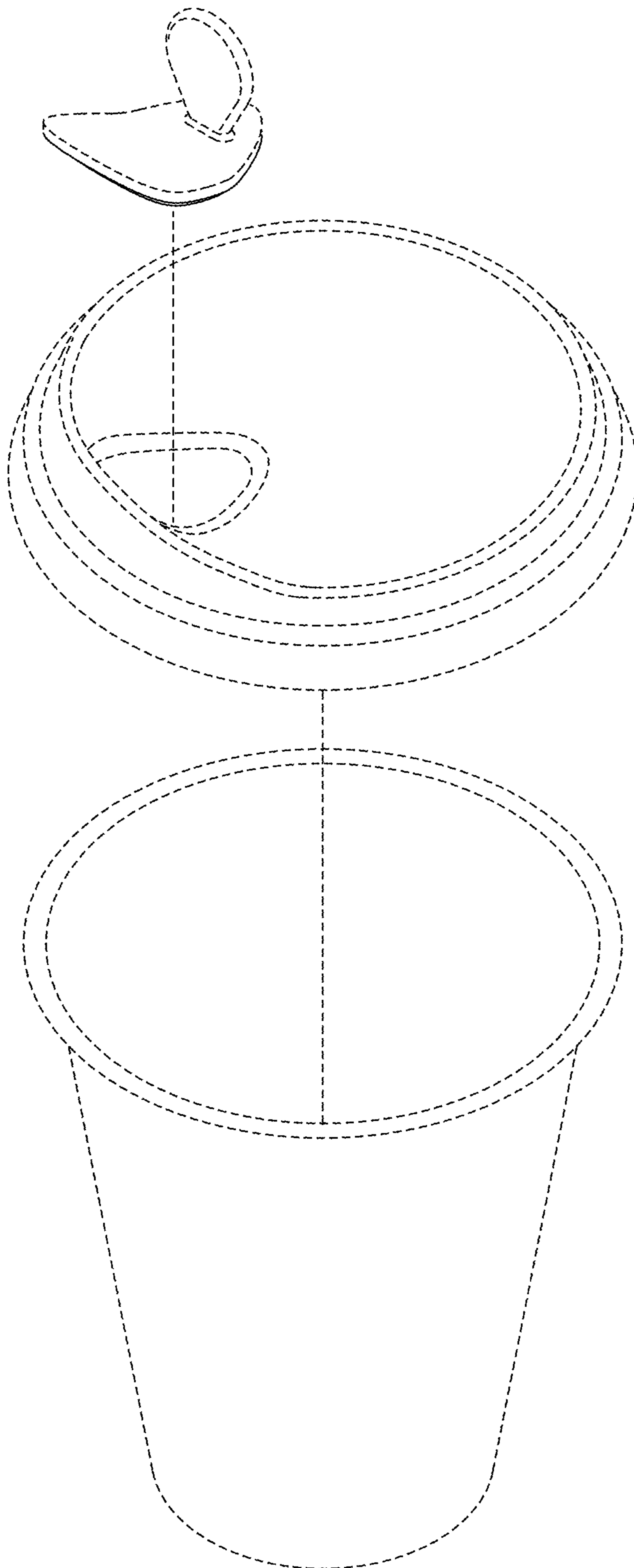


FIG. 1

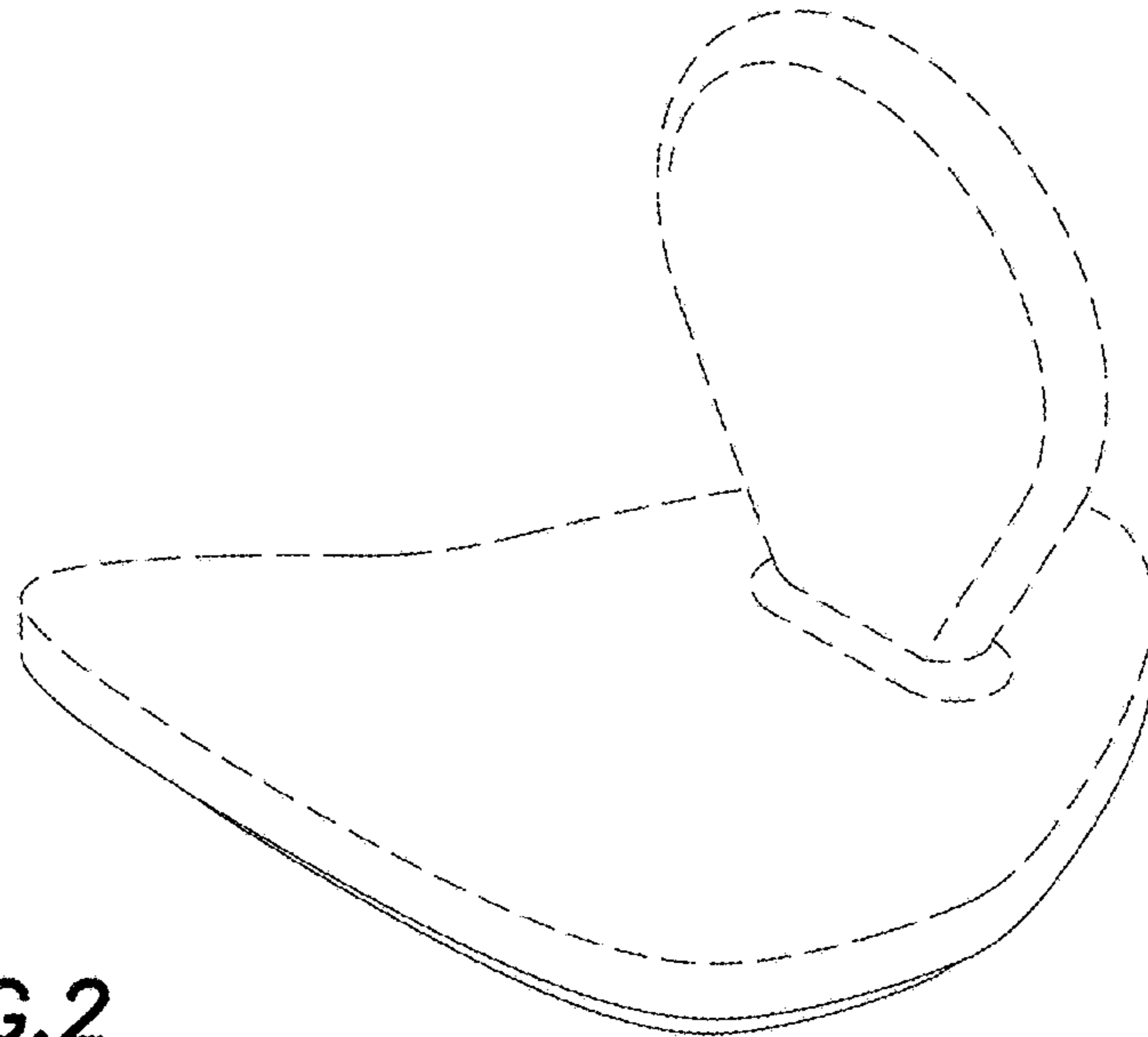


FIG. 2

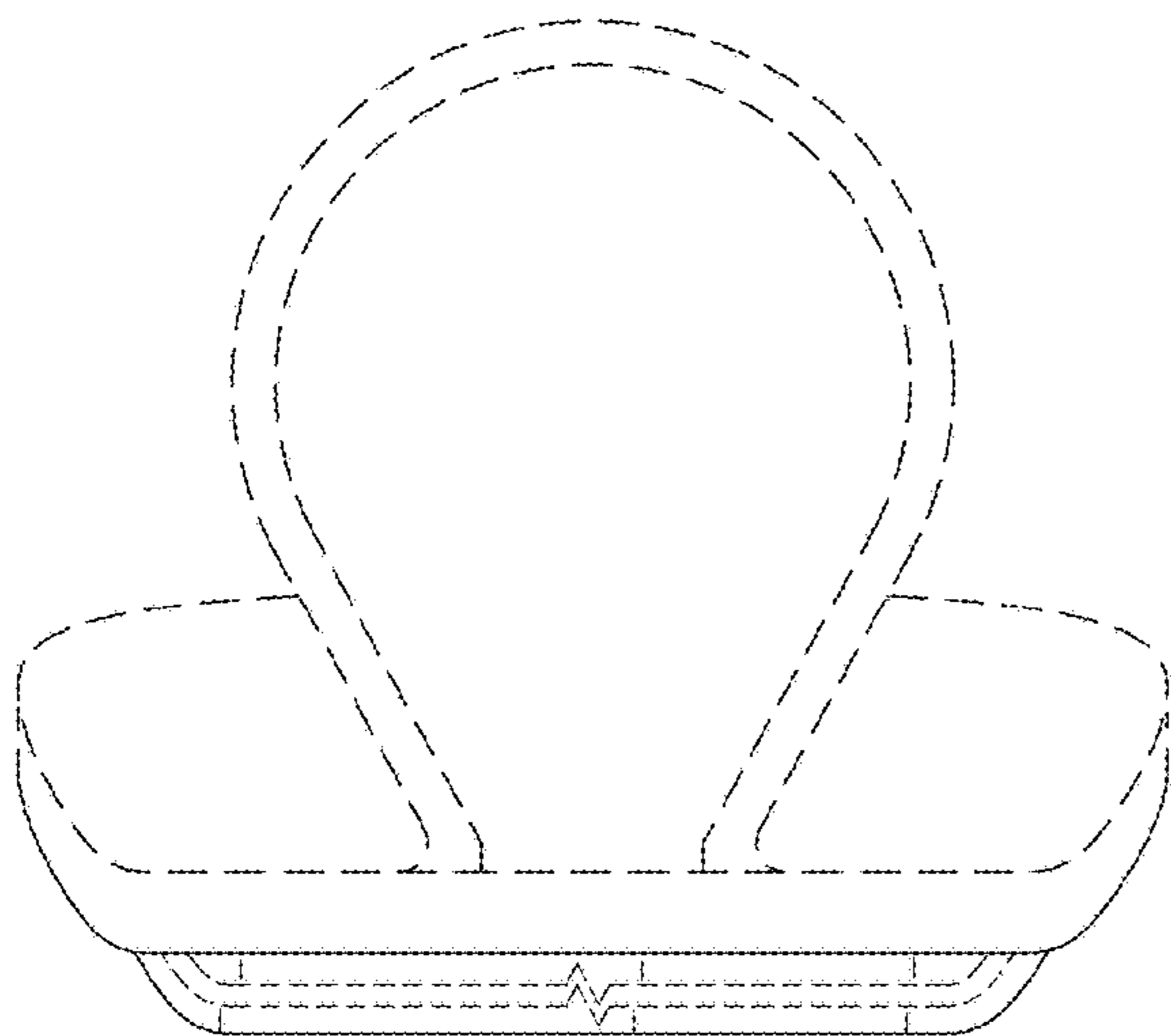


FIG. 3

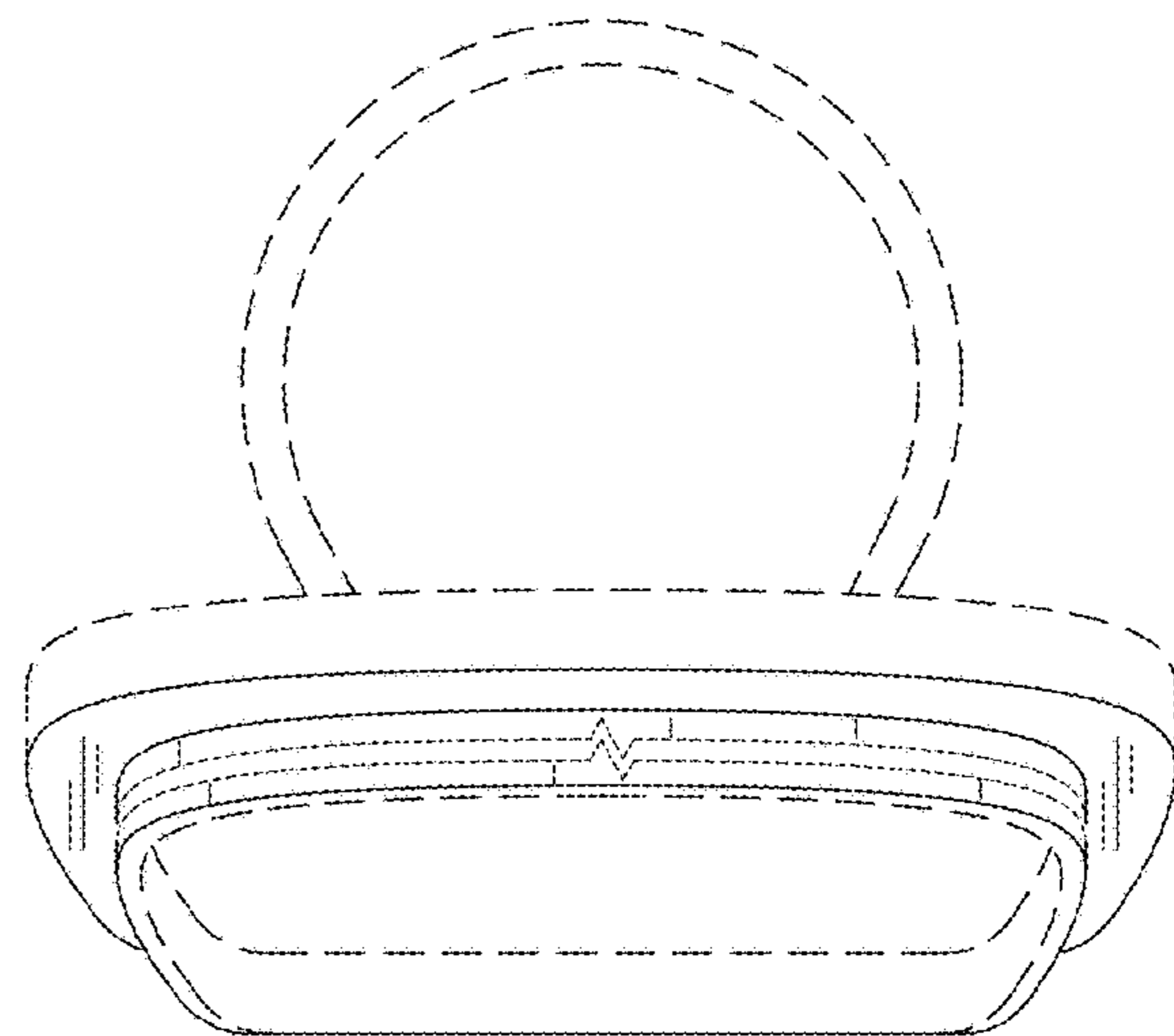


FIG. 4

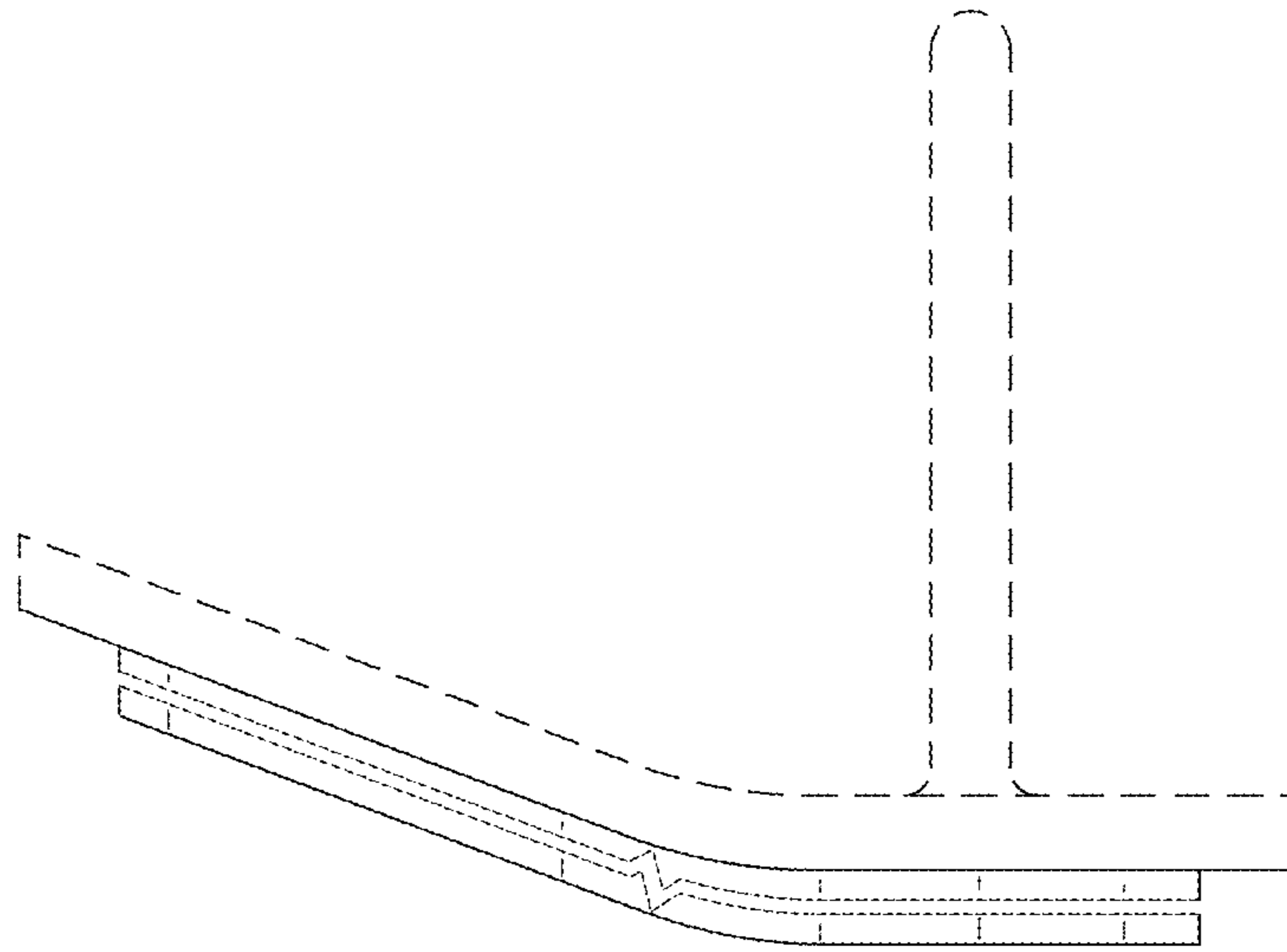


FIG. 5

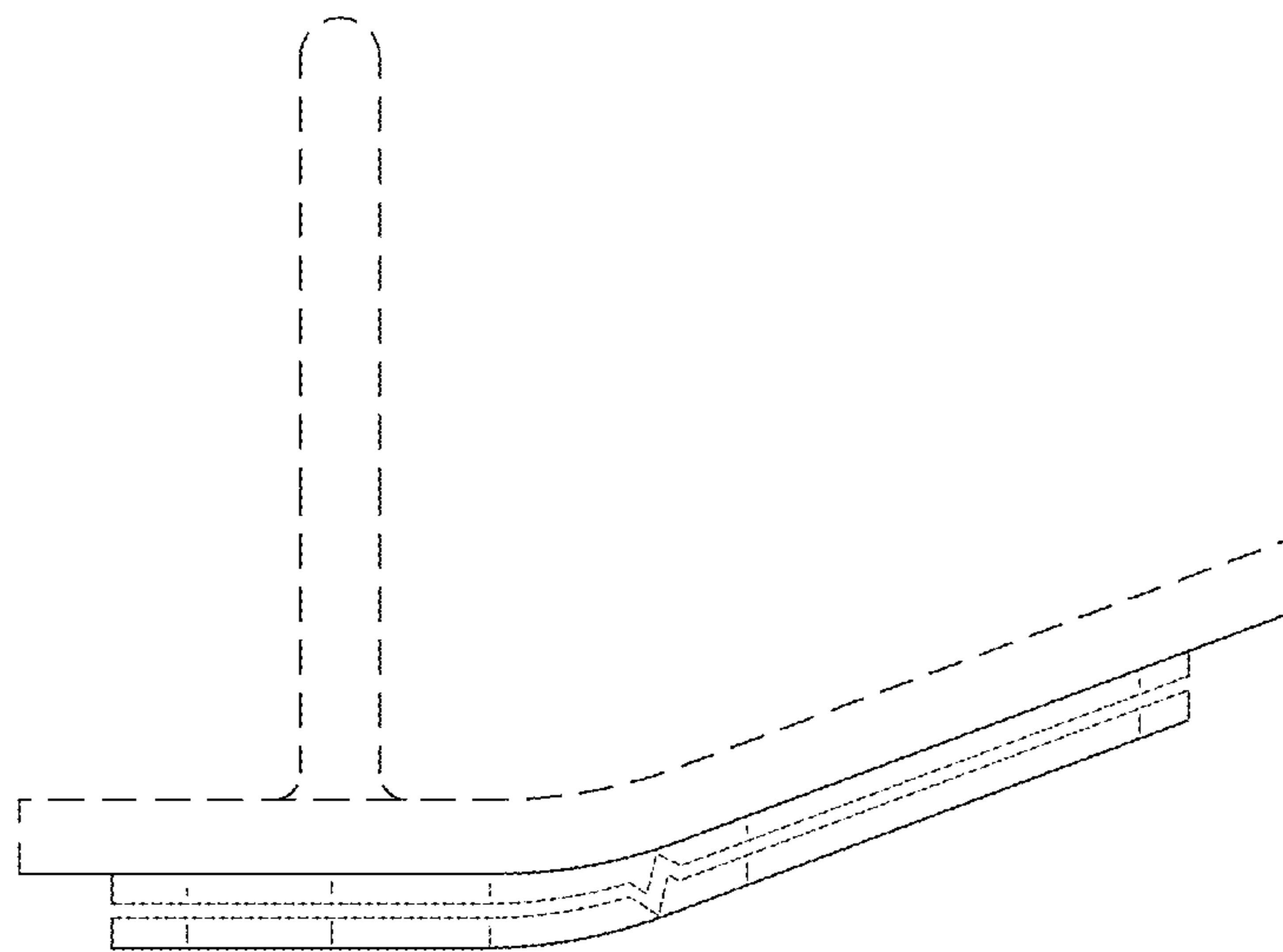


FIG. 6

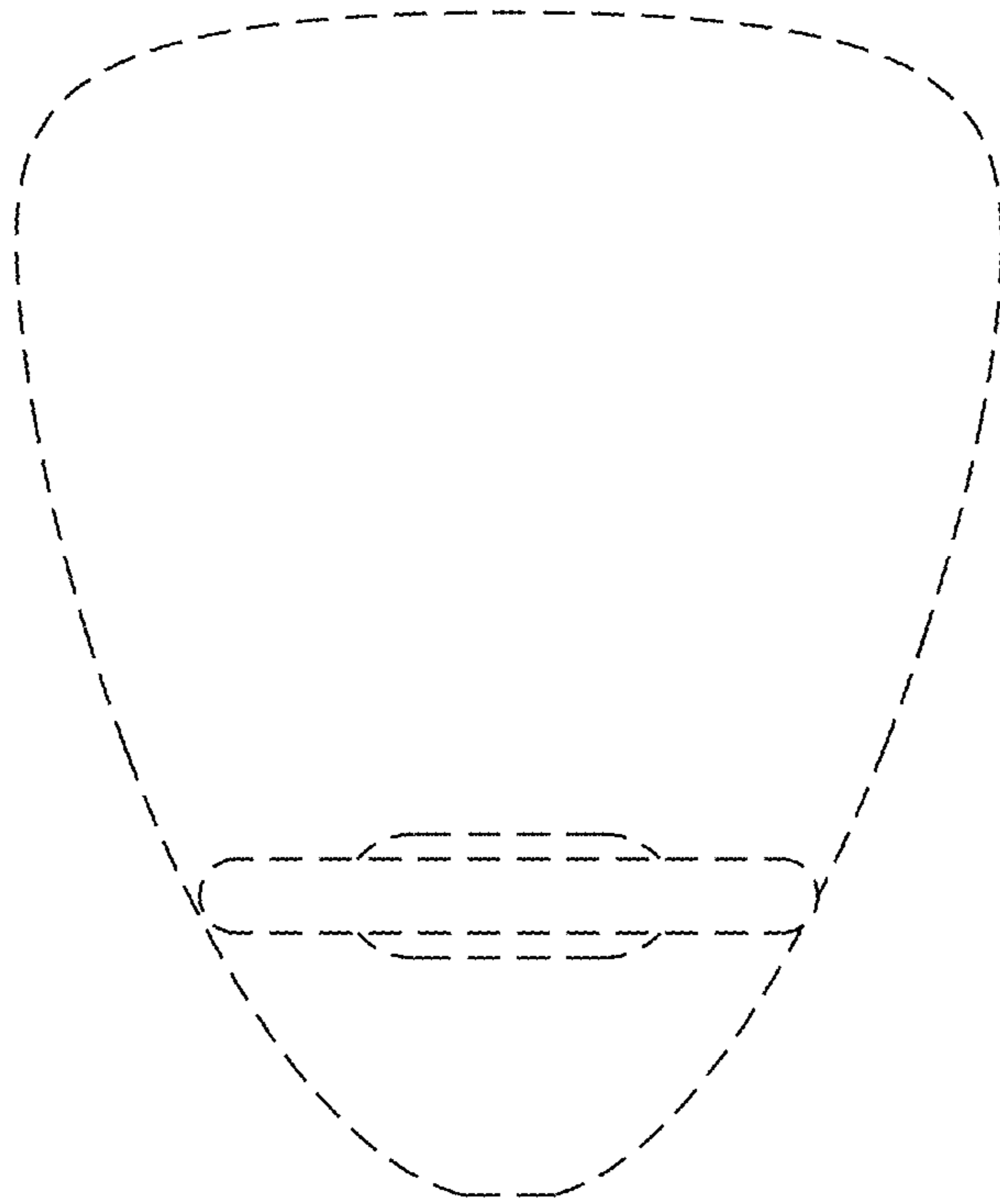


FIG. 7

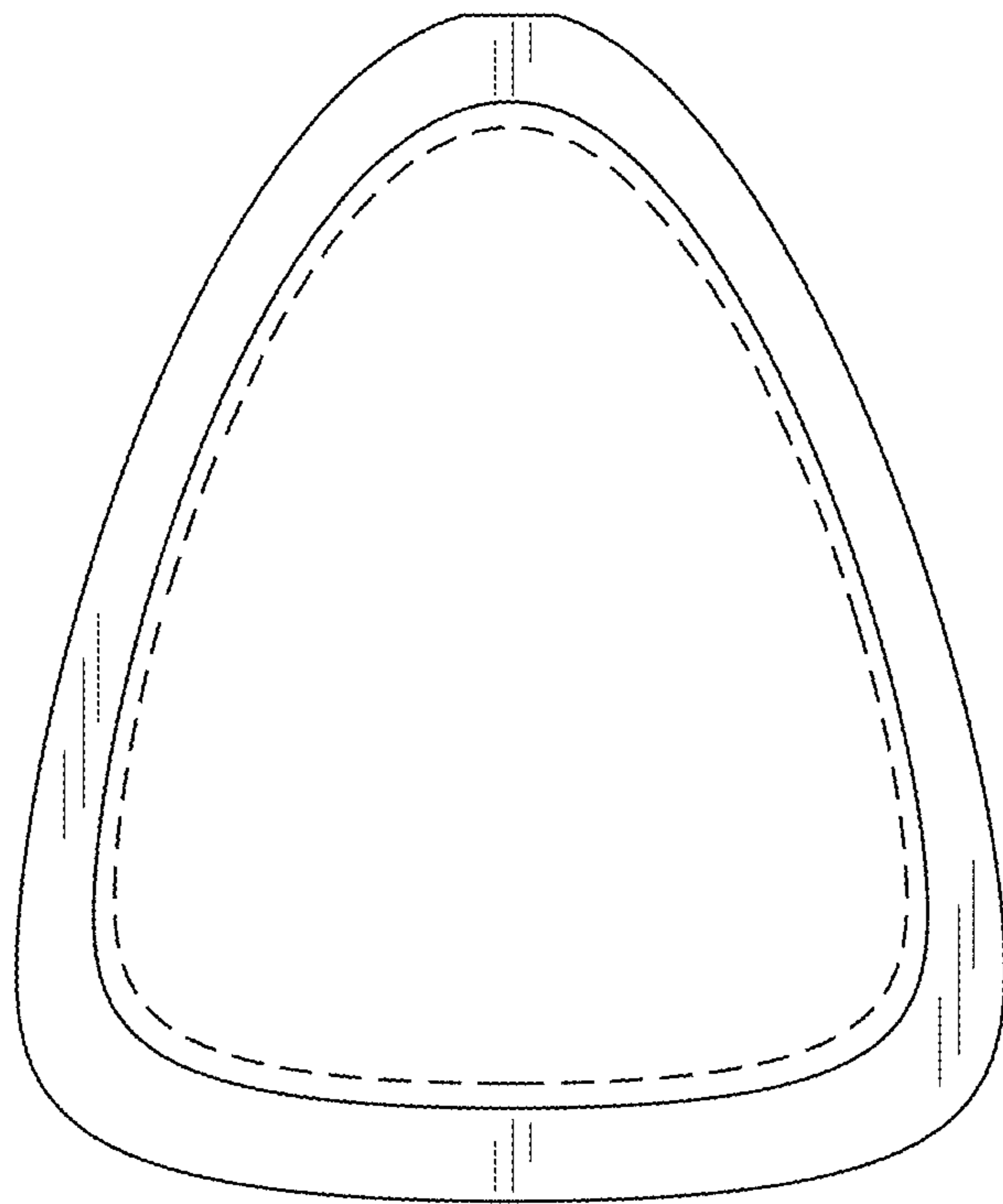


FIG. 8