



US00D942269S

(12) **United States Design Patent** (10) **Patent No.:** **US D942,269 S**
Patterson (45) **Date of Patent:** **** *Feb. 1, 2022**

- (54) **TAB**
- (71) Applicant: **YourGreen2Go Inc.**, Spring, TX (US)
- (72) Inventor: **Scott Patterson**, Spring, TX (US)
- (73) Assignee: **YourGreen2Go, Inc.**, Spring, TX (US)
- (*) Notice: This patent is subject to a terminal disclaimer.
- (**) Term: **15 Years**
- (21) Appl. No.: **29/687,642**
- (22) Filed: **Apr. 15, 2019**

Related U.S. Application Data

- (63) Continuation of application No. 15/815,275, filed on Nov. 16, 2017, now abandoned, which is a continuation-in-part of application No. 29/613,212, filed on Aug. 8, 2017, now Pat. No. Des. 845,125.
- (51) **LOC (13) Cl.** **09-07**
- (52) **U.S. Cl.**
USPC **D9/434**
- (58) **Field of Classification Search**
USPC D9/434, 435, 439, 440, 442-450, D9/452-457, 499, 503-505, 682, 685, D9/686; D7/387, 391, 392, 392.1, 396.1, D7/396.2, 507, 509-511, 538, 900; D3/202, 203.2, 294, 318; D28/91, 91.1
CPC .. A61J 1/00; A61J 1/1412; B65D 1/00; B65D 1/02; B65D 1/10; B65D 1/46; B65D 5/46; B65D 41/00; B65D 41/38; B65D 41/56; B65D 41/62; B65D 47/00; B65D 47/06; B65D 47/08; B65D 2251/00; B65D 2543/00046; B65D 2543/00092; B65D 2543/00296

See application file for complete search history.

(56) **References Cited**

U.S. PATENT DOCUMENTS

2,039,574	A *	5/1936	Wenderoth	A47J 45/062 220/769
D289,613	S *	5/1987	Daenen	D9/436
4,760,934	A *	8/1988	Netsch	B65D 47/10 220/269
5,253,799	A *	10/1993	Sebesta	B65D 5/2033 229/108
D372,164	S *	7/1996	Ahern, Jr.	D7/392.1
D383,387	S *	9/1997	Berglund	D9/457
D432,859	S *	10/2000	Hayes	D7/392.1
D446,077	S *	8/2001	Tucker	D7/392.1
D448,181	S *	9/2001	Shergalis	D9/457
D469,012	S *	1/2003	Lee	D9/434
D516,859	S *	3/2006	Zettle	D7/392.1
D528,415	S *	9/2006	Tuddenham	D9/434
D576,406	S *	9/2008	Chan	D3/318
D582,983	S *	12/2008	McCarthy	D19/99

(Continued)

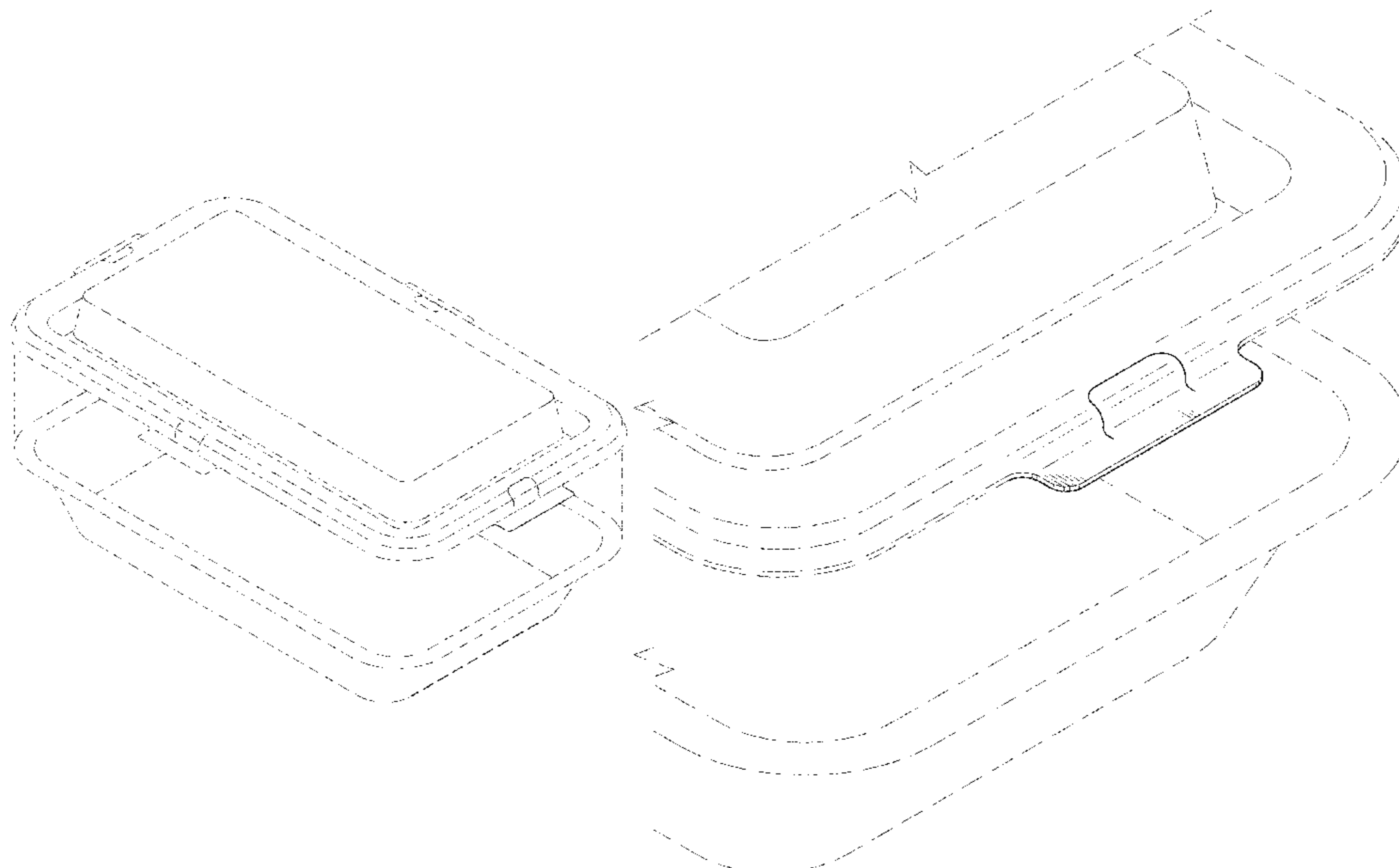
Primary Examiner — Wendy L Arminio
(74) *Attorney, Agent, or Firm* — Phillip Black; Dossey & Jones PLLC

(57) **CLAIM**
The ornamental design for a tab, as shown and described.

DESCRIPTION

FIG. 1 is a top perspective view of tab;
FIG. 2 is an enlarged top perspective view thereof;
FIG. 3 is an enlarged top perspective view thereof, showing the tab in an alternative configuration;
FIG. 4 is another enlarged top perspective view thereof, showing the tab in the same configuration as FIG. 1;
FIG. 5 is a cross-sectional view taken in the direction of line 5-5 shown in FIG. 2; and,
FIG. 6 is a cross-sectional view taken in the direction of line 6-6 shown in FIG. 3.
The broken lines show environment for my design and form no part of the claimed design.

1 Claim, 5 Drawing Sheets



(56)

References Cited

U.S. PATENT DOCUMENTS

D598,285	S *	8/2009	Mittelstaedt	D9/456
D635,822	S *	4/2011	Neiheiser	D7/392.1
D636,221	S *	4/2011	Neiheiser	D7/396.2
D680,867	S *	4/2013	Kopulos	D9/435
8,636,168	B1 *	1/2014	Krupa	B65D 43/0222
				220/324
D718,126	S *	11/2014	Kwon	D9/434
D737,140	S *	8/2015	Lindsay	D9/443
D746,101	S *	12/2015	Manley	D7/387
D804,897	S *	12/2017	Loshuk	D7/396.2
D838,108	S *	1/2019	Samartgis	D3/318
D838,484	S *	1/2019	Samartgis	D3/318
D840,156	S *	2/2019	Samartgis	D3/318
D845,125	S *	4/2019	Patterson	D9/435
D853,179	S *	7/2019	Duvigneau	D7/391
D857,500	S *	8/2019	Vish	D7/392.1
D881,012	S *	4/2020	Salow	D9/457
2020/0290800	A1 *	9/2020	Davies	B65F 1/02

* cited by examiner

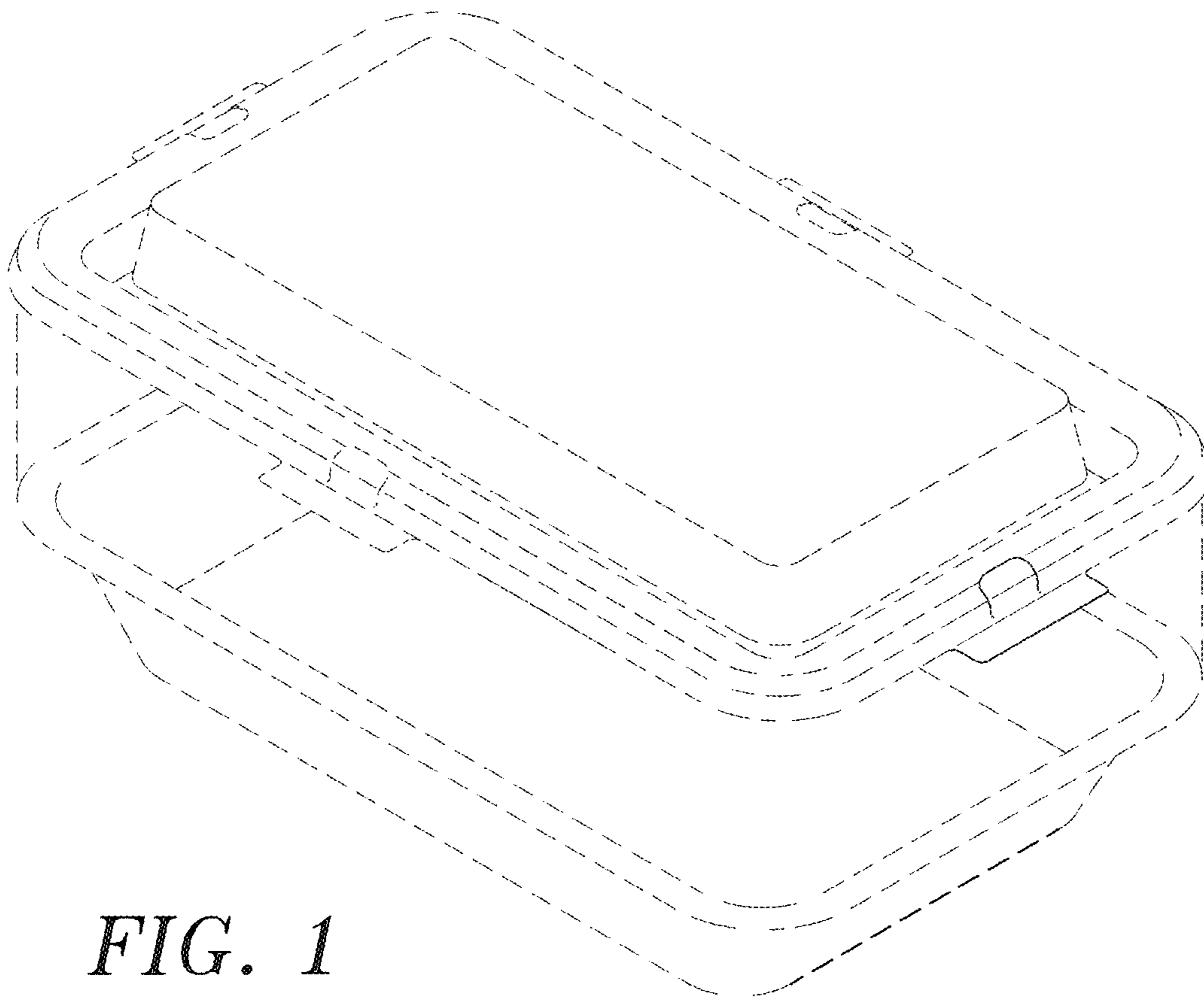


FIG. 1

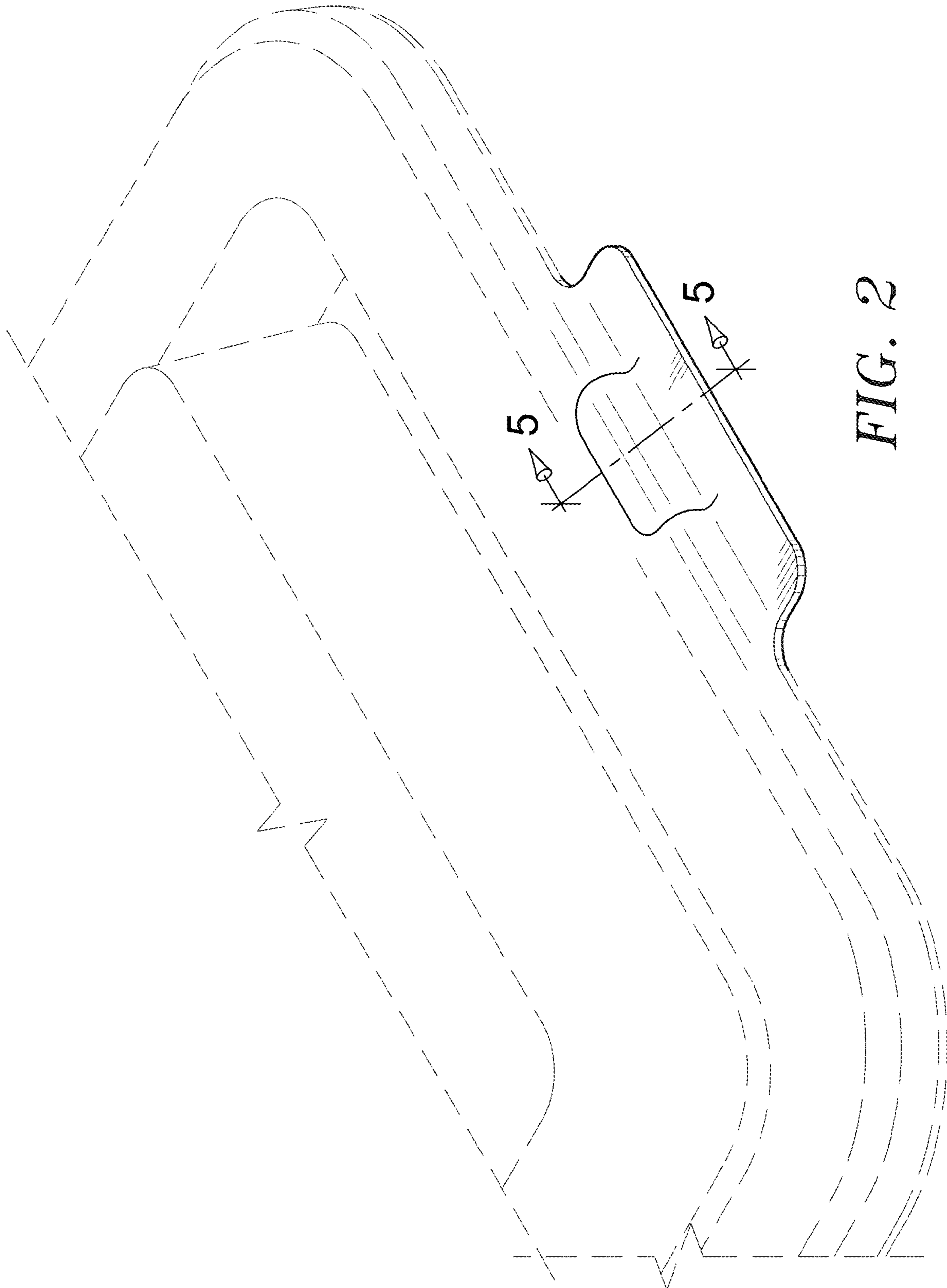


FIG. 2

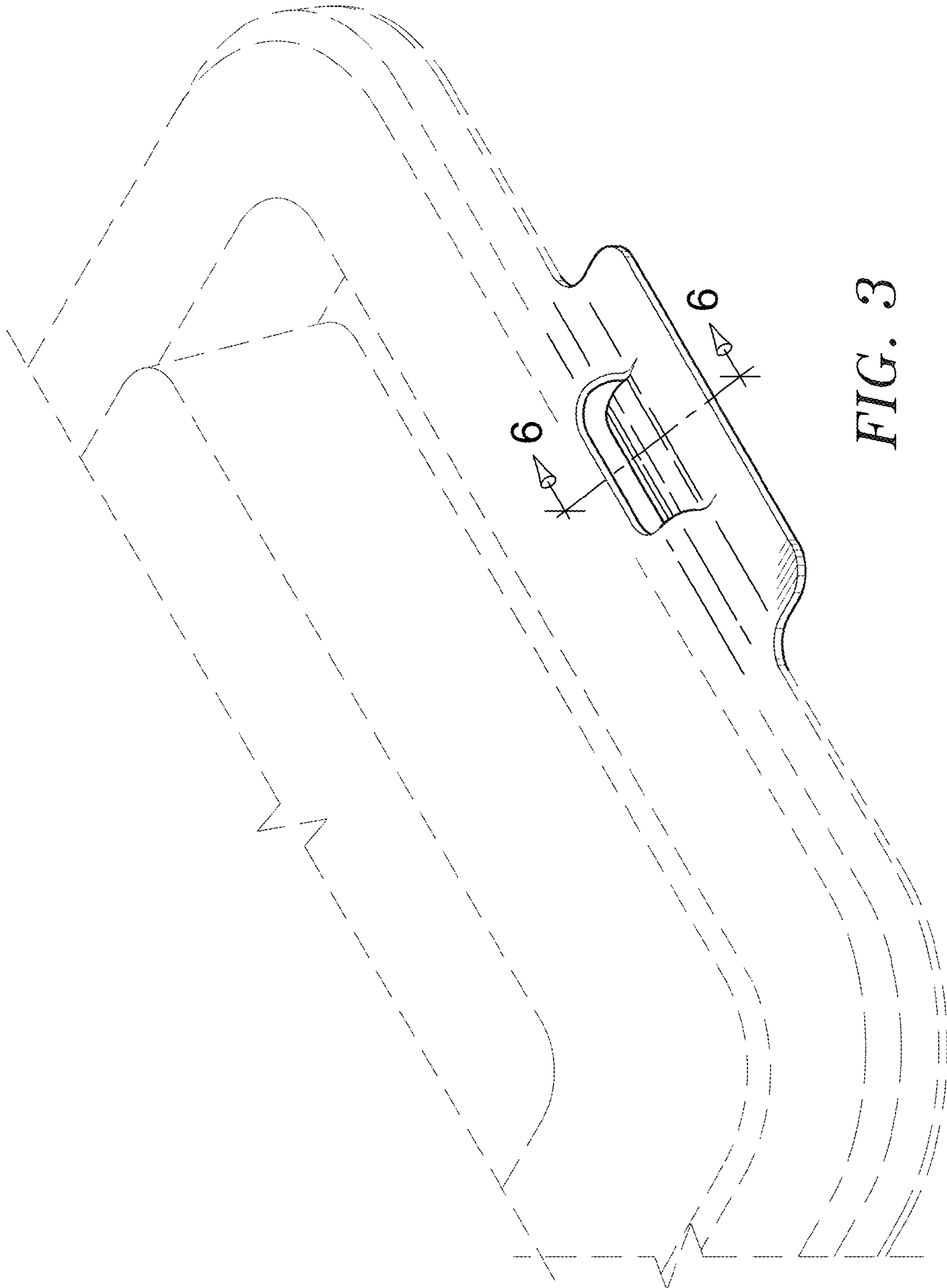


FIG. 3

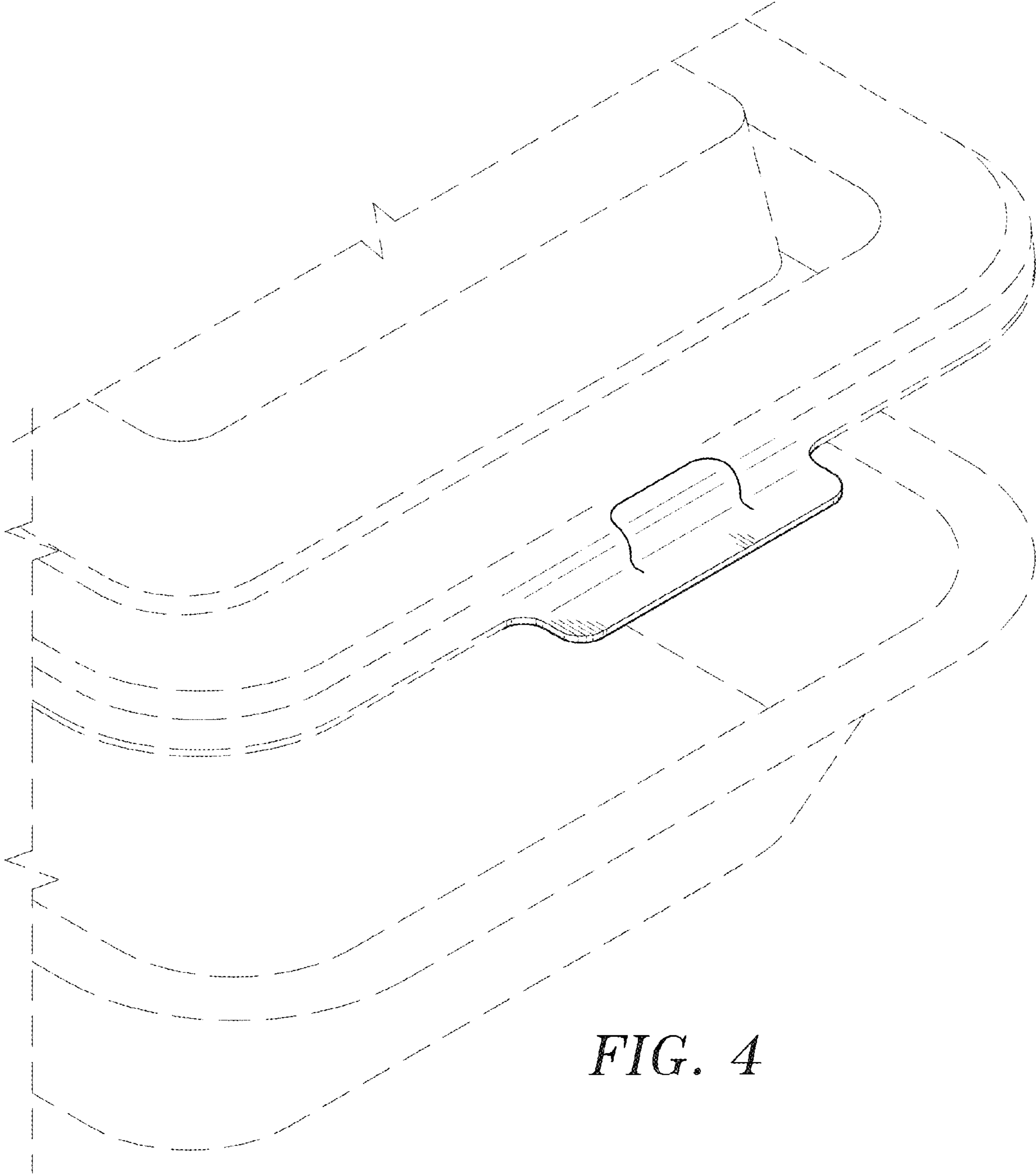


FIG. 4

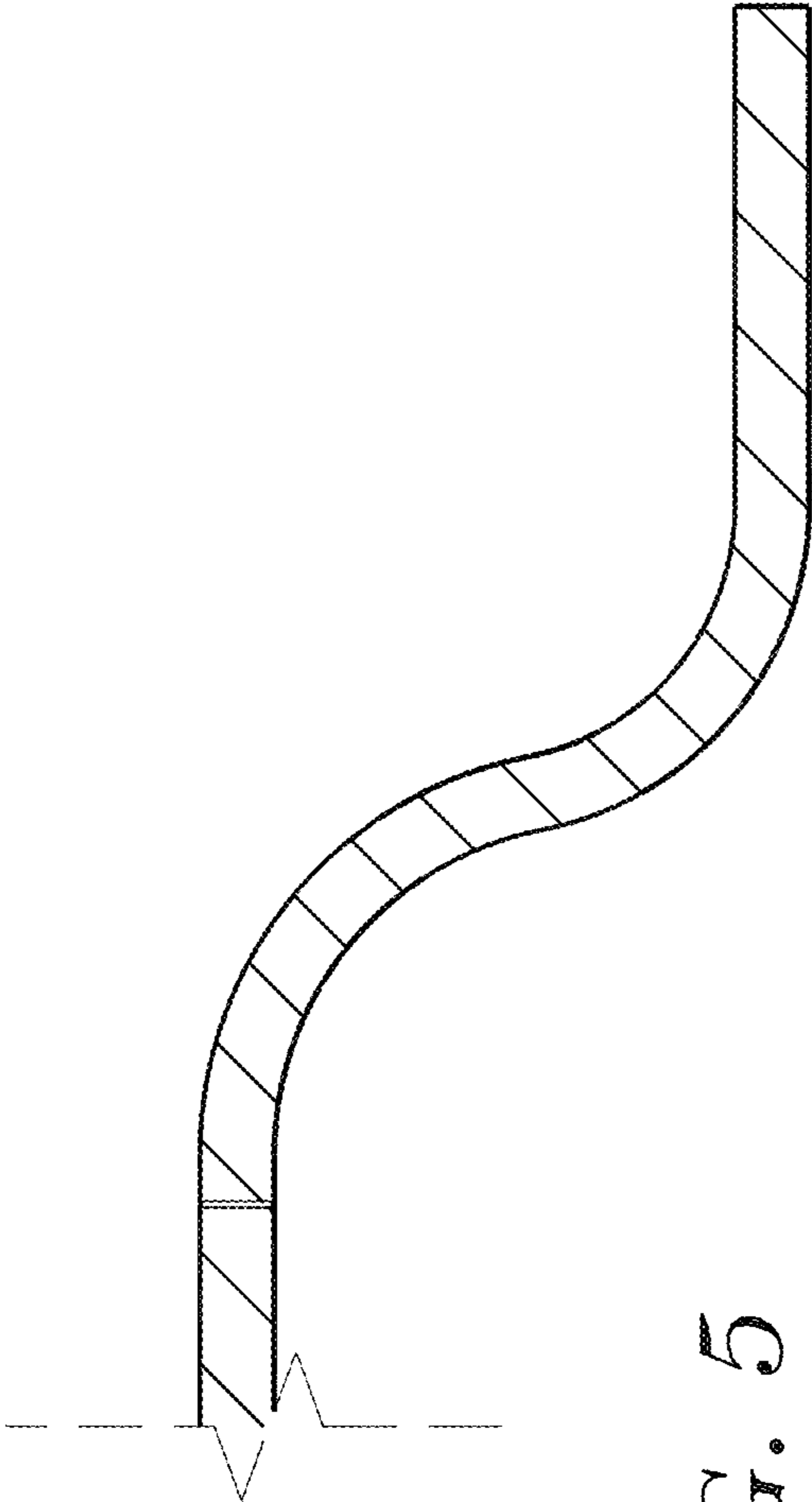


FIG. 5

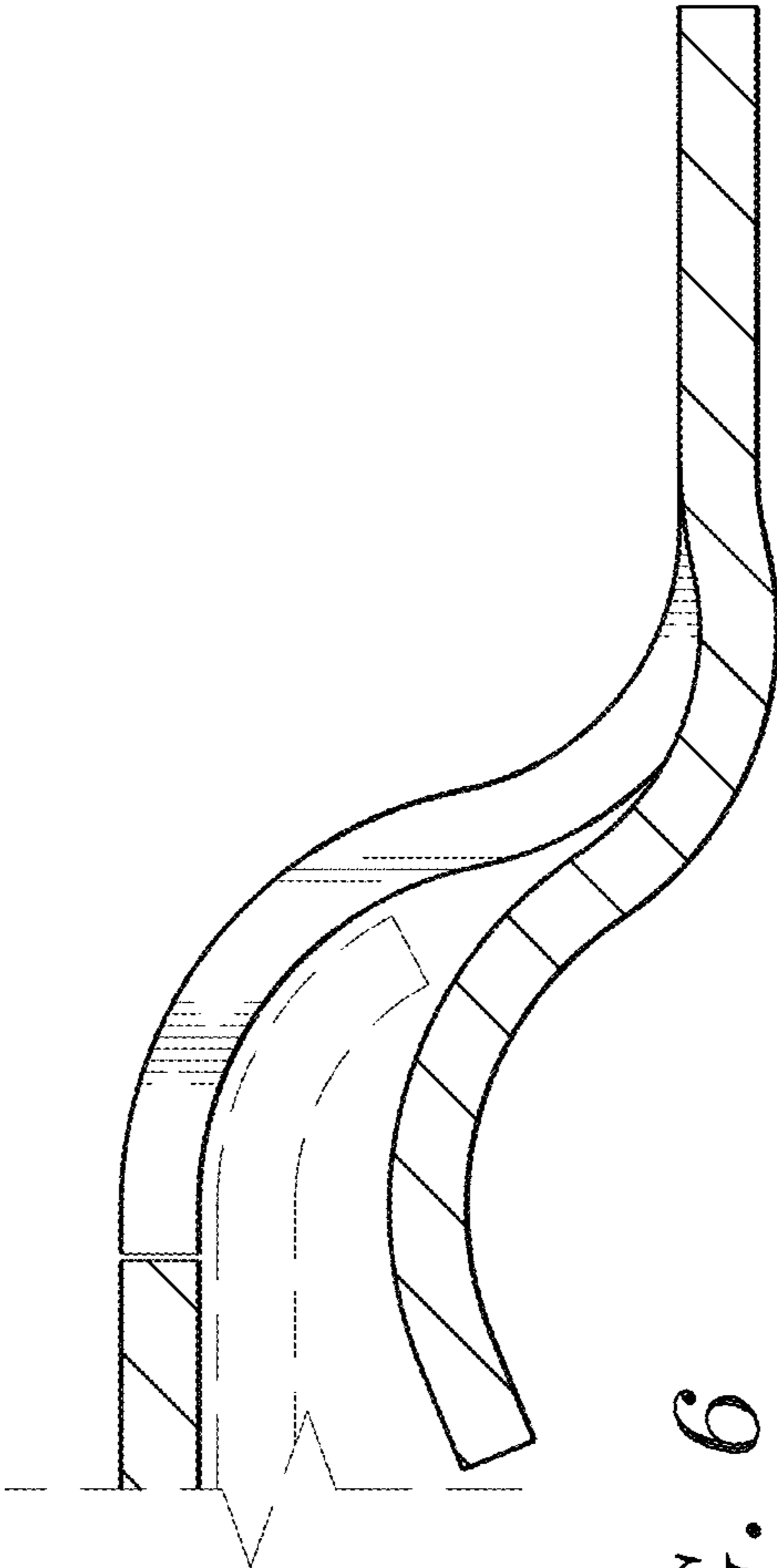


FIG. 6