



US00D942264S

(12) **United States Design Patent** (10) **Patent No.:** **US D942,264 S**  
**Marotti et al.** (45) **Date of Patent:** **\*\* Feb. 1, 2022**

(54) **TOOTHPASTE CARTON**  
(71) Applicant: **The Procter & Gamble Company**,  
Cincinnati, OH (US)  
(72) Inventors: **Martin Jay Marotti**, Carmel, IN (US);  
**Jennifer Kay Seiser**, Cincinnati, OH  
(US); **Eric Donald Weller**, Liberty  
Township, OH (US)  
(73) Assignee: **The Procter & Gamble Company**,  
Cincinnati, OH (US)

D604,602 S \* 11/2009 Kohno ..... D9/418  
D604,603 S \* 11/2009 Kohno ..... D9/418  
D619,015 S \* 7/2010 Kusumi ..... D9/624  
D620,794 S \* 8/2010 Kohno ..... D9/432  
D651,910 S \* 1/2012 Boyer ..... D9/600  
D651,917 S \* 1/2012 Ren ..... D9/651  
D652,316 S \* 1/2012 Ren ..... D9/600  
D652,736 S \* 1/2012 Boyer ..... D9/600  
D667,309 S \* 9/2012 Delaney ..... D9/667  
D677,579 S \* 3/2013 Monahan ..... D9/669  
D678,760 S \* 3/2013 Cooper ..... D9/418  
D678,762 S \* 3/2013 Cooper ..... D9/418

(Continued)

(\*\*) Term: **15 Years**  
(21) Appl. No.: **29/717,331**  
(22) Filed: **Dec. 17, 2019**  
(51) **LOC (13) Cl.** ..... **09-03**  
(52) **U.S. Cl.**  
USPC ..... **D9/418**  
(58) **Field of Classification Search**  
USPC ..... D9/415, 414, 418, 419, 420, 423, 433,  
D9/416, 432, 422, 426, 455, 456, 430,  
D9/434, 499; D3/201, 232, 243, 273,  
D3/294, 299, 315, 324  
CPC ..... B65D 5/62; B65D 5/42; B65D 5/5206;  
B65D 85/187; B65D 85/00; B65D 25/54;  
B65D 1/00; B65D 13/00; B65D 9/02;  
B65D 2575/54; B65D 2575/58; B65D  
5/2047; B65D 5/28; B65D 73/0085;  
B65D 75/522; B65D 77/2024  
See application file for complete search history.

(56) **References Cited**  
U.S. PATENT DOCUMENTS

D321,647 S \* 11/1991 Oldorf ..... D9/734  
D392,564 S \* 3/1998 Silver ..... D9/432  
D415,424 S \* 10/1999 Hill ..... D6/515  
D446,114 S \* 8/2001 Stephens ..... D9/418  
D570,210 S \* 6/2008 McGrath ..... D9/418

OTHER PUBLICATIONS

Crest 3D White Brilliance Peppermint Toothpaste. Images published by Jersey61 and Gigi29 Apr. 2021. Visited Sep. 22, 2021. <https://www.target.com/p/crest-3d-white-brilliance-vibrant-peppermint-toothpaste-4-1oz-2pk/-/A-15885565> (Year: 2021).\*

*Primary Examiner* — Darcey E Gottschalk  
*Assistant Examiner* — Vanessa Michelle Pursley  
(74) *Attorney, Agent, or Firm* — Parker D. McCrary

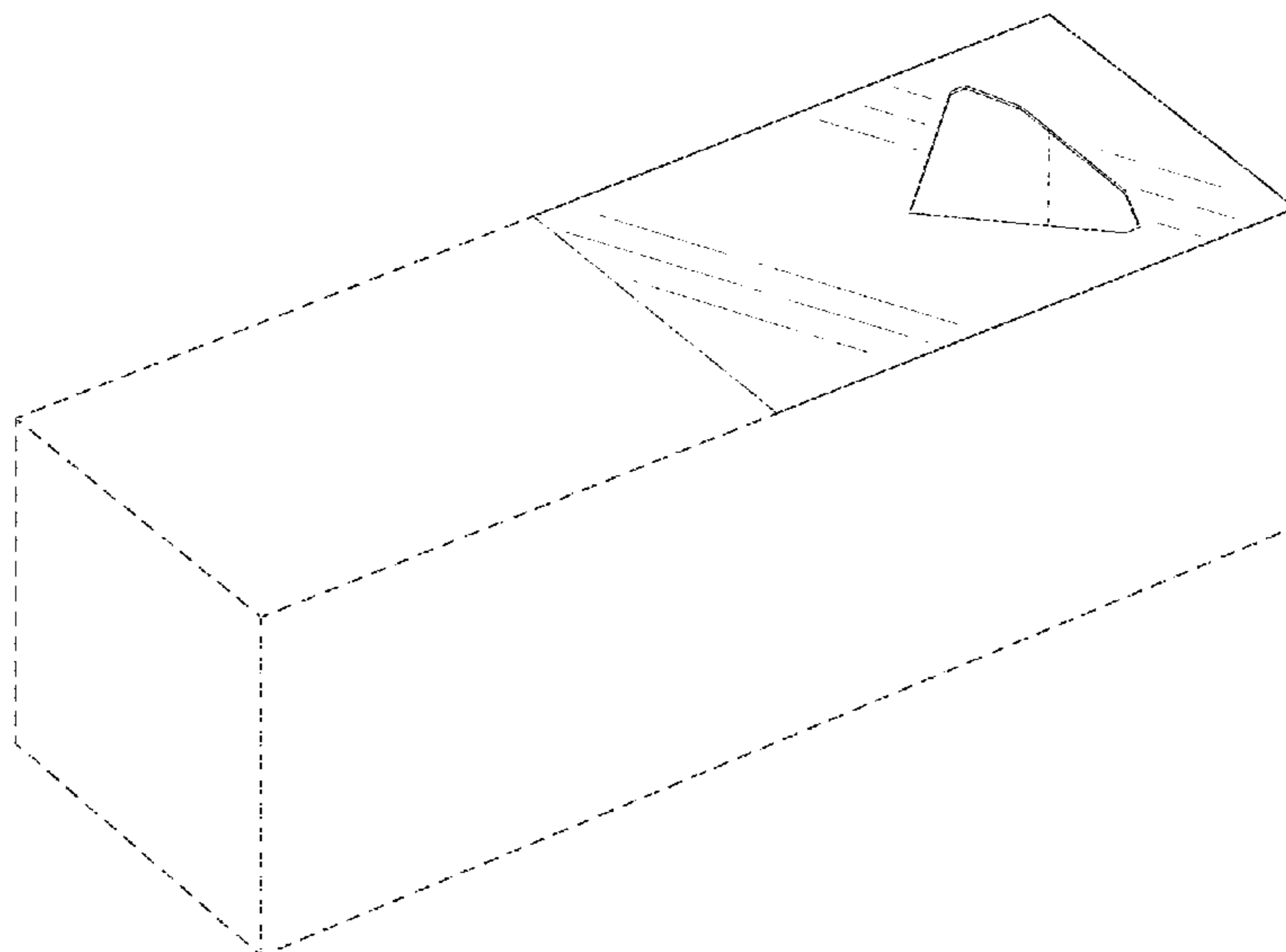
(57) **CLAIM**

The ornamental design for a toothpaste carton, as shown and described.

**DESCRIPTION**

FIG. 1 is a perspective elevation view of a toothpaste carton with an opening;  
FIG. 2 is a front view thereof;  
FIG. 3 is a right side view thereof;  
FIG. 4 is a back view thereof;  
FIG. 5 is a left side view thereof;  
FIG. 6 is a top view thereof; and,  
FIG. 7 is a bottom view thereof.  
Broken lines are used in the drawings to designate environmental structures or parts of a toothpaste carton that form no part of the claim.

**1 Claim, 3 Drawing Sheets**



(56)

References Cited

U.S. PATENT DOCUMENTS

D691,035 S *	10/2013	Sill	.....	D9/418	D855,452 S *	8/2019	Palacios	.....	D9/418
D691,465 S *	10/2013	O'Brien	.....	D9/418	D856,131 S *	8/2019	Hon	.....	D9/418
D706,129 S *	6/2014	Boraczek	.....	D9/418	D864,720 S *	10/2019	Clark	.....	D9/456
D725,480 S *	3/2015	Lipman	.....	D9/629	D876,223 S *	2/2020	Akana	.....	D9/434
D745,388 S *	12/2015	Taylor	.....	D9/418	D887,832 S *	6/2020	Boersma	.....	B65D 5/0209
D777,571 S *	1/2017	Borkovetz	.....	D9/432					D9/431
D778,729 S *	2/2017	Spenceman	.....	D9/600	D889,976 S *	7/2020	Iura	.....	D9/600
D779,327 S *	2/2017	Fraser	.....	D9/499	D891,921 S *	8/2020	Davies	.....	D9/432
D798,703 S *	10/2017	Hainaut	.....	D9/418	D897,197 S *	9/2020	Tidwell	.....	B65D 50/046
D806,536 S *	1/2018	Kato	.....	D9/432					D9/418
D809,383 S *	2/2018	Kato	.....	D9/434	D899,247 S *	10/2020	Kilduff	.....	D9/432
D811,218 S *	2/2018	Baldino	.....	B65D 71/36	D899,922 S *	10/2020	Sanfilippo	.....	D9/432
				D9/432	D915,880 S *	4/2021	Markoulis	.....	D9/430
D815,523 S *	4/2018	Sanfilippo	.....	D9/435	D915,900 S *	4/2021	Hokanson	.....	D9/658
D816,489 S *	5/2018	Kato	.....	D9/432	D918,714 S *	5/2021	Blomberg	.....	D9/432
D817,167 S *	5/2018	Dorr	.....	D9/434	D918,739 S *	5/2021	Laflamme	.....	D9/762
D818,213 S *	5/2018	Funari	.....	D30/160	D918,740 S *	5/2021	Laflamme	.....	D9/762
D833,868 S *	11/2018	Marotti	.....	D9/434	D922,195 S *	6/2021	Altman	.....	D9/432
D834,411 S *	11/2018	Vanderhulst	.....	D9/432	D923,471 S *	6/2021	Marotti	.....	D9/432
D834,936 S *	12/2018	Sanfilippo	.....	D9/432	D926,049 S *	7/2021	Hallein	.....	D9/600
					D928,611 S *	8/2021	Murchison	.....	D9/434
					D932,840 S *	10/2021	Etgar	.....	D7/602

\* cited by examiner

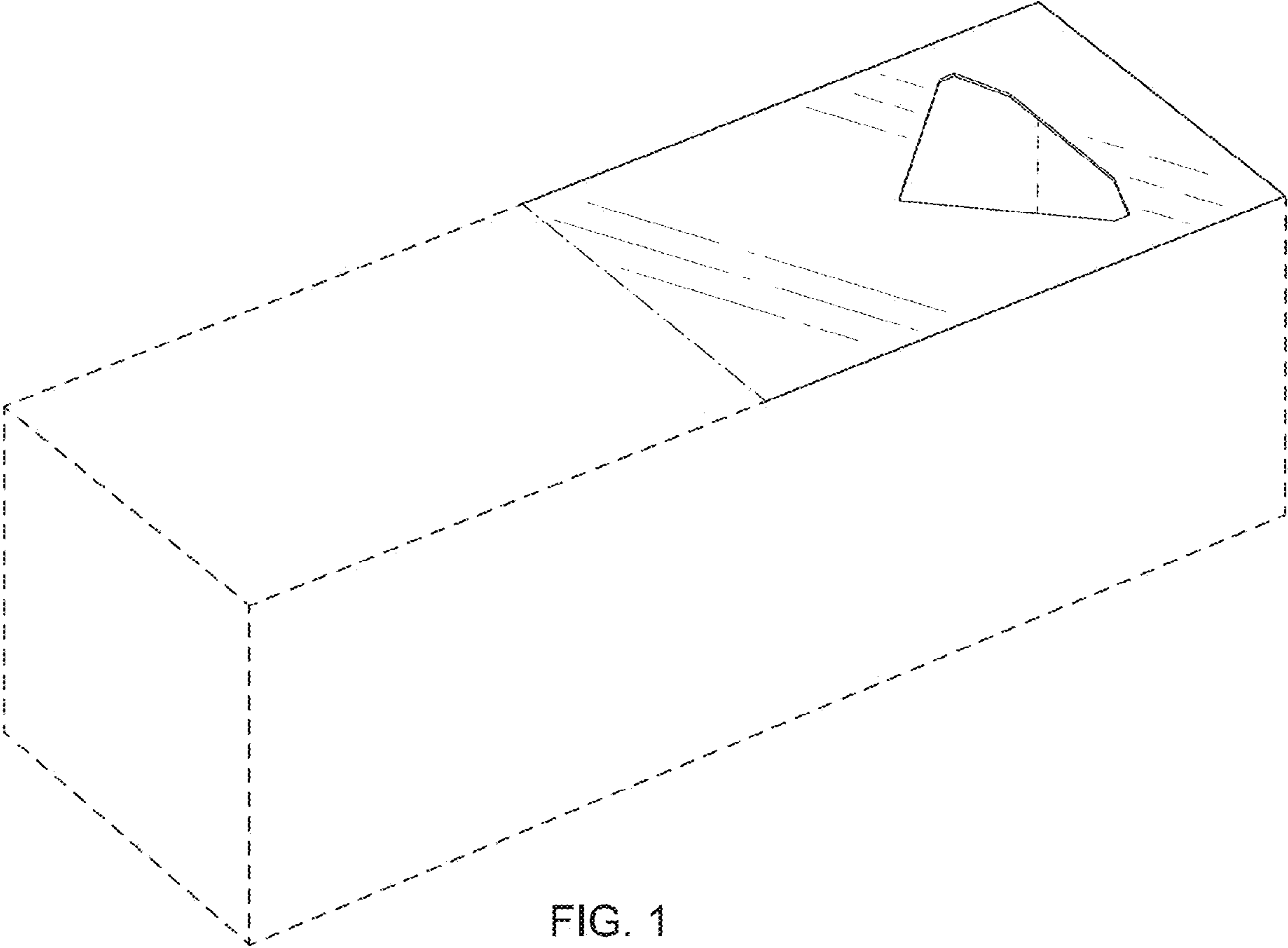


FIG. 1

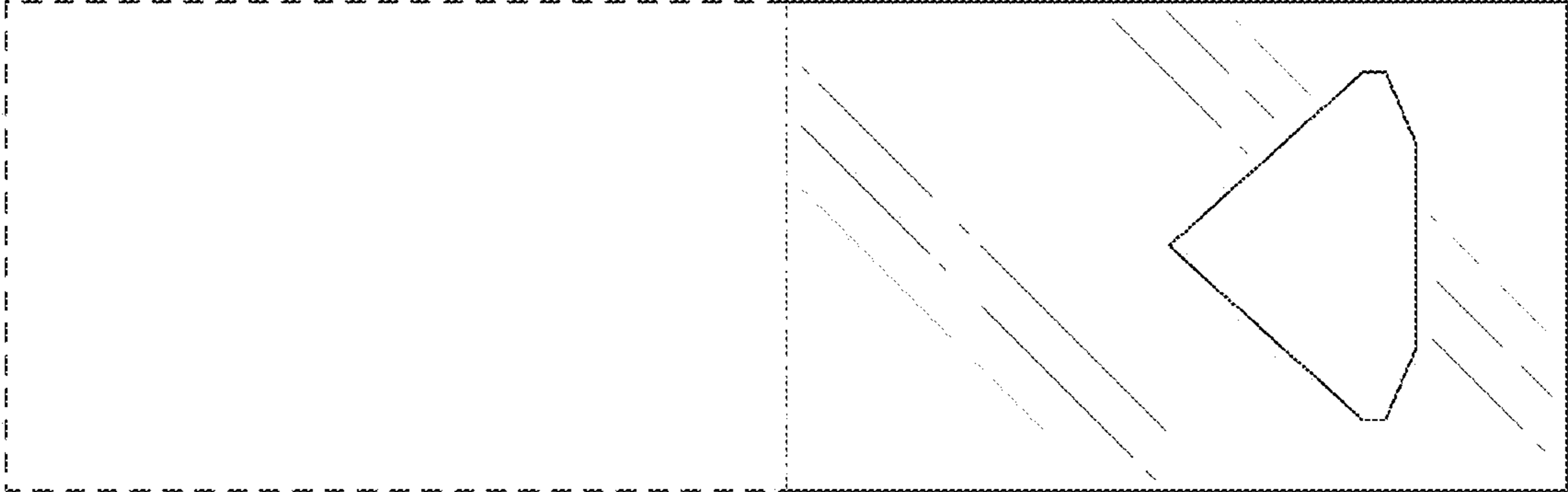


FIG. 2

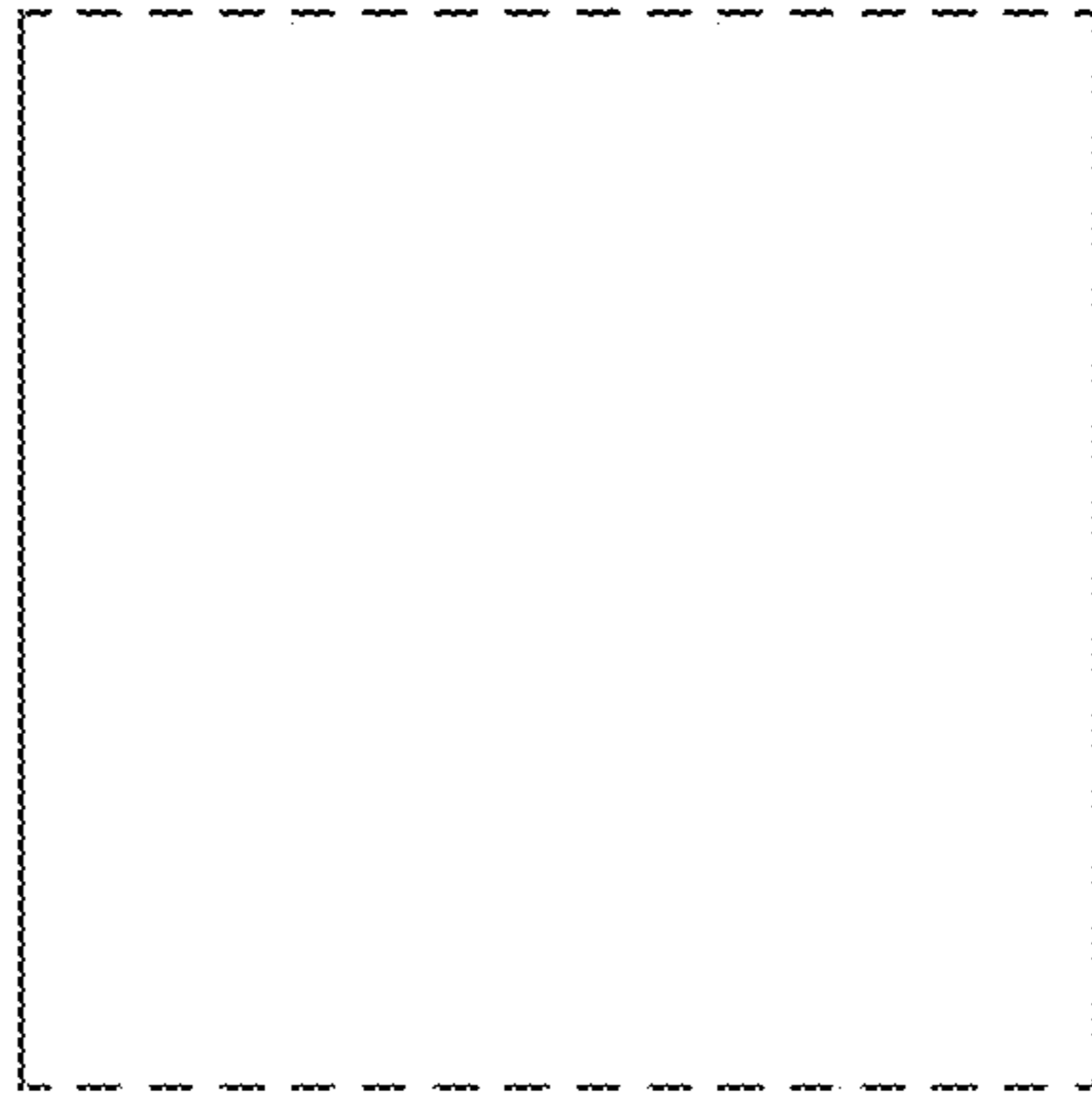


FIG. 3



FIG. 4

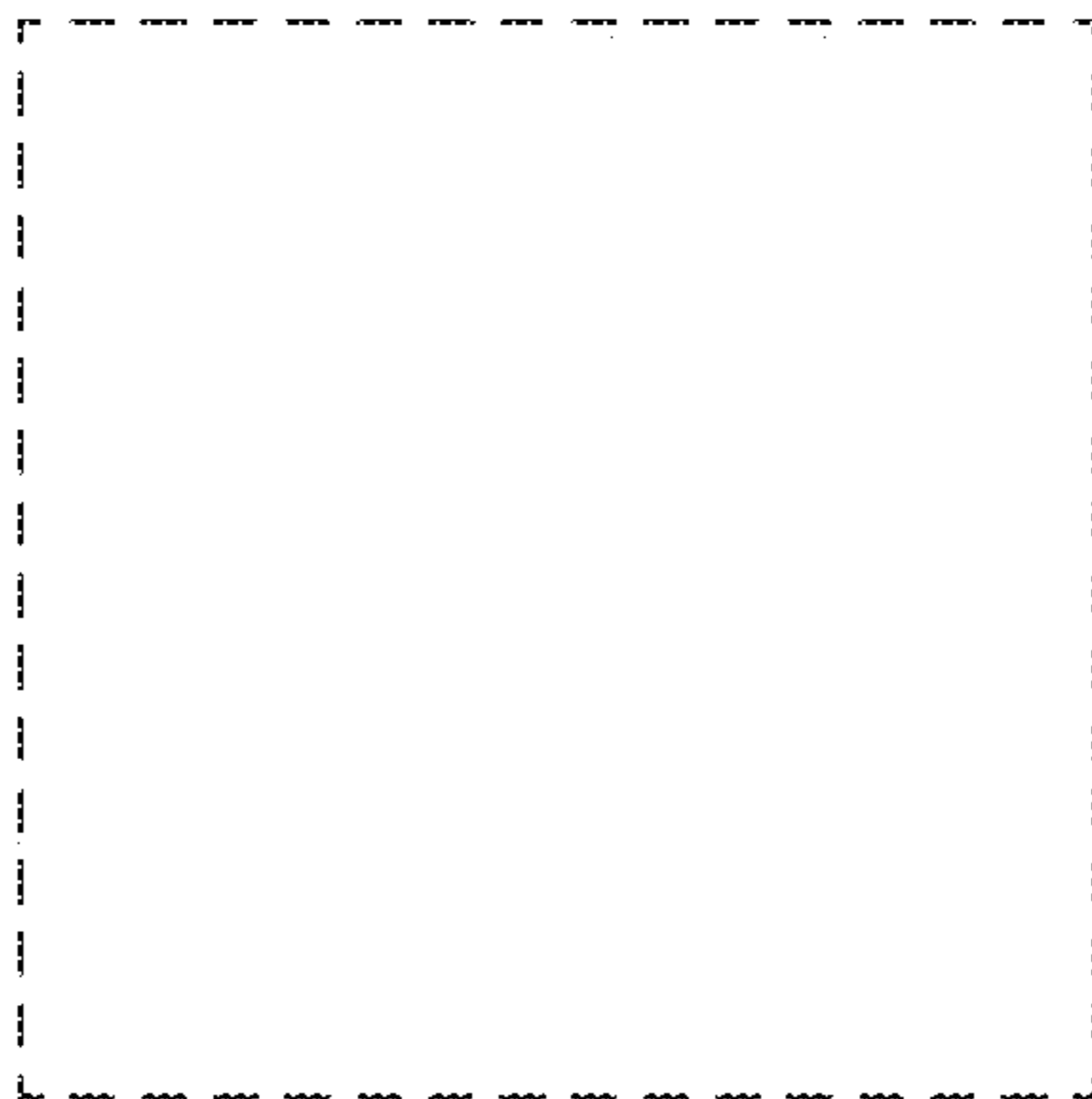


FIG. 5

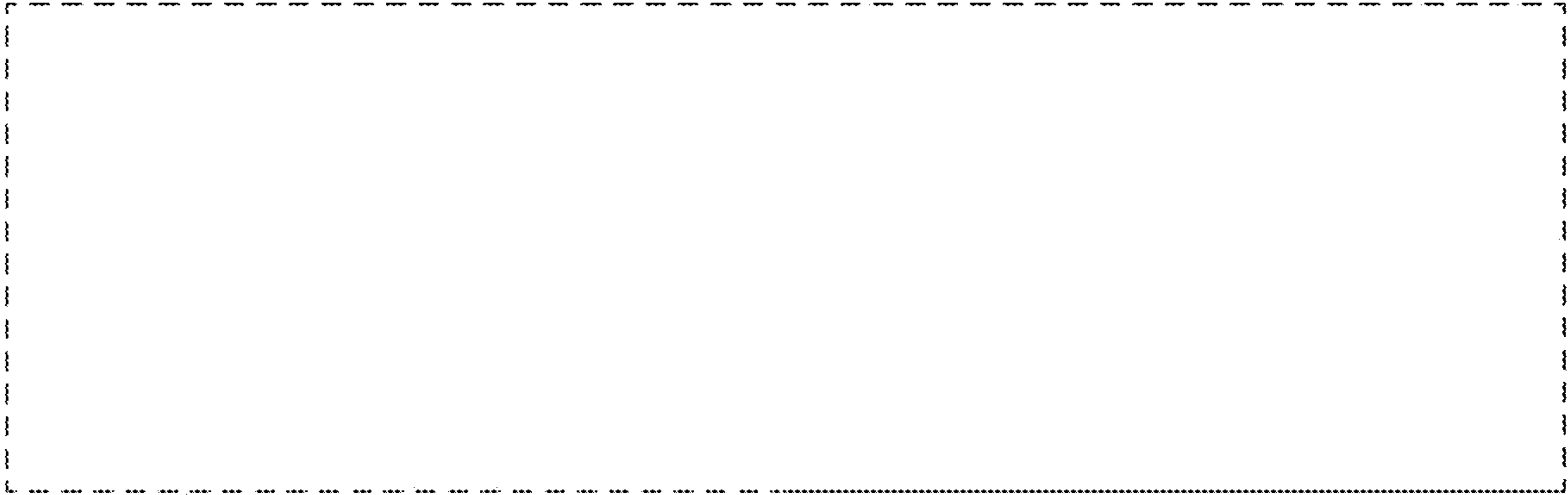


FIG. 6

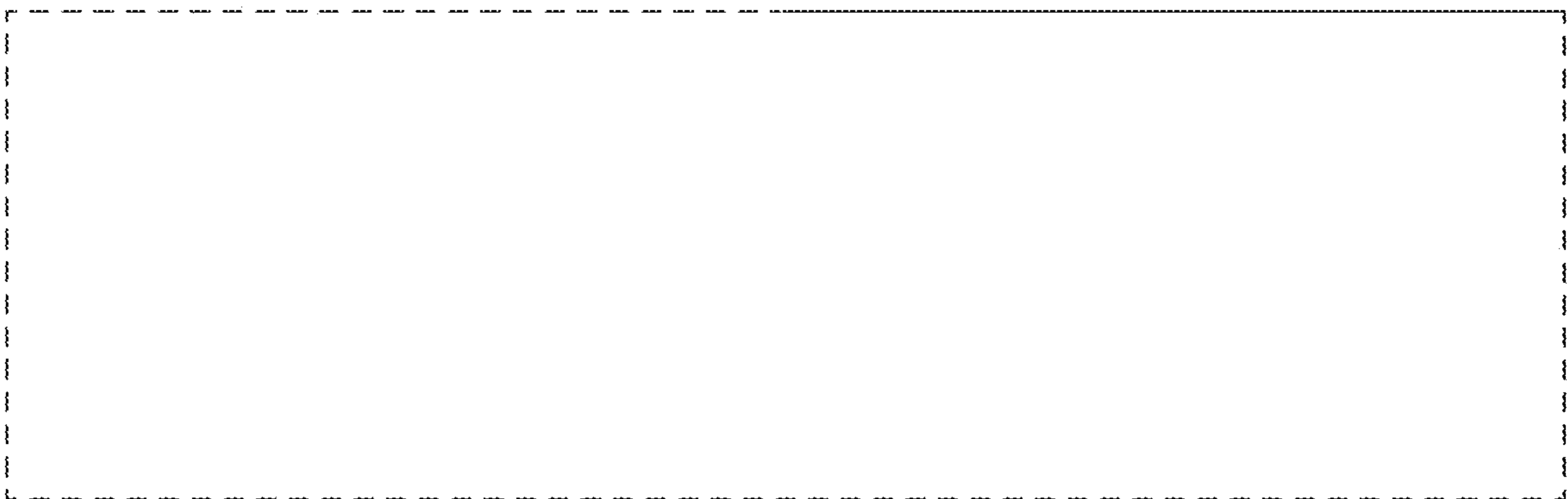


FIG. 7