



US00D942263S

(12) **United States Design Patent**
Blay et al.

(10) **Patent No.:** **US D942,263 S**

(45) **Date of Patent:** **** Feb. 1, 2022**

(54) **PACKING AND COVER SET FOR
IMPLANTABLE ARTICLE**

(71) Applicant: **M3 HEALTH INDÚSTRIA E
COMÉRCIO DE PRODUTOS
MÉDICOS, ODONTOLÓGICOS E
CORRELATOS S.A., Jundiaí (BR)**

(72) Inventors: **Alberto Blay, São Paulo (BR); Samy
Tunchel, São Paulo (BR); Jamil Awad
Shibli, Guarulhos (BR); Lucas
Amancio, Jundiaí (BR)**

(73) Assignee: **M3 HEALTH INDÚSTRIA E
COMÉRCIO DE PRODUTOS
MÉDICOS, ODONTOLÓGICOS E
CORRELATOS S.A., Jundiaí (BR)**

(**) Term: **15 Years**

(21) Appl. No.: **29/717,228**

(22) Filed: **Dec. 16, 2019**

(30) **Foreign Application Priority Data**

Jun. 14, 2019 (BR) 30 2019 002600 7

(51) **LOC (13) Cl.** **09-01**

(52) **U.S. Cl.**
USPC **D9/418; D24/156**

(58) **Field of Classification Search**
USPC D9/418; D24/156
CPC A61C 8/00; A61C 8/0068; A61C 8/0057;
A61C 8/0018; A61C 8/0066; A61C
8/0089; A61C 8/006; A61C 8/0059
See application file for complete search history.

(56) **References Cited**

U.S. PATENT DOCUMENTS

D330,423 S * 10/1992 Kilber D24/156
D334,061 S * 3/1993 Kumlin D24/156

D489,254 S * 5/2004 Kocis D7/550.1
D514,930 S * 2/2006 Snedden D9/418
D684,462 S * 6/2013 Hite D9/429
D698,022 S * 1/2014 Flanagan D24/161
D736,087 S * 8/2015 Birgers D9/503
D923,793 S * 6/2021 Pisharodi D24/155
D925,038 S * 7/2021 Byun D24/155
2012/0078371 A1 * 3/2012 Gamache A61B 17/0682
623/17.16

* cited by examiner

Primary Examiner — Charles D Hanson

(74) *Attorney, Agent, or Firm* — B. Aaron Schulman,
Esq.; Stites & Harbison, PLLC

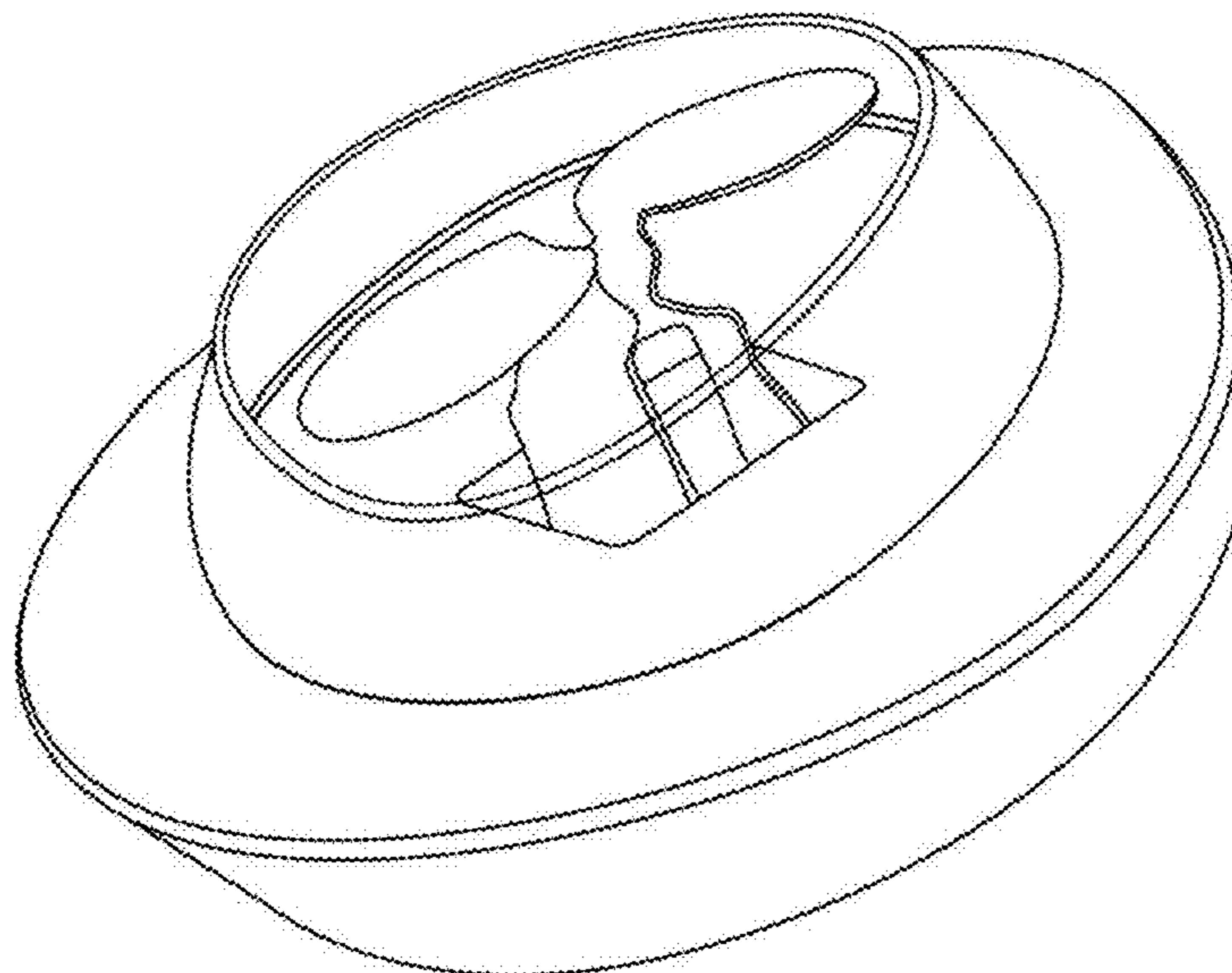
(57) **CLAIM**

The ornamental design for a packing and cover set for implantable article, as shown and described.

DESCRIPTION

FIG. 1 is a perspective view showing the new design for the prosthetic torque wrench;
FIG. 2 is a front view of the packing and cover set for implantable article;
FIG. 3 is a back side view of the packing and cover set for implantable article;
FIG. 4 is a left side view of the packing and cover set for implantable article;
FIG. 5 is a right side view of the packing and cover set for implantable article;
FIG. 6 is a top view of the packing and cover set for implantable article; and,
FIG. 7 is a bottom view of the packing and cover set for implantable article.

1 Claim, 7 Drawing Sheets



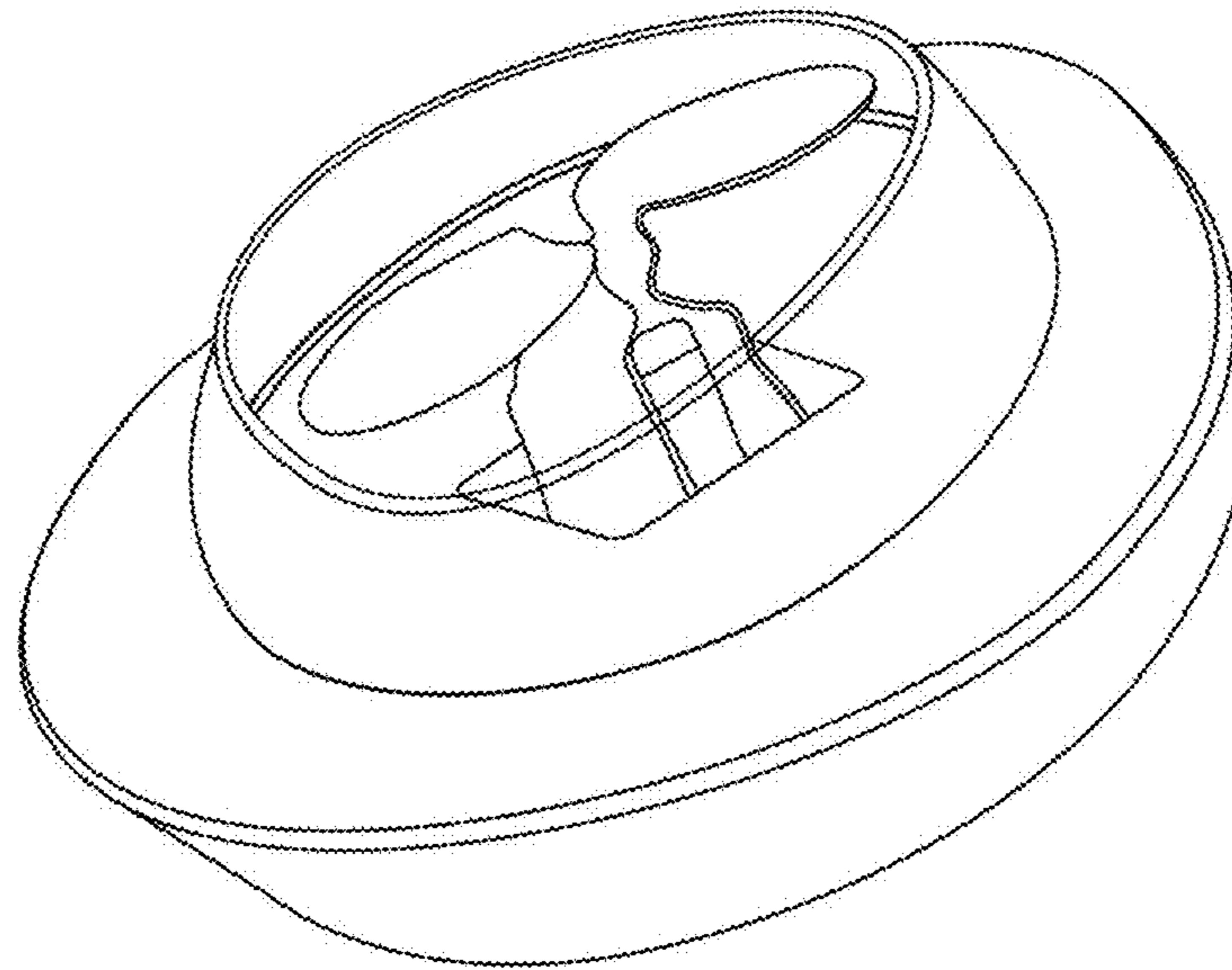


FIGURE 1

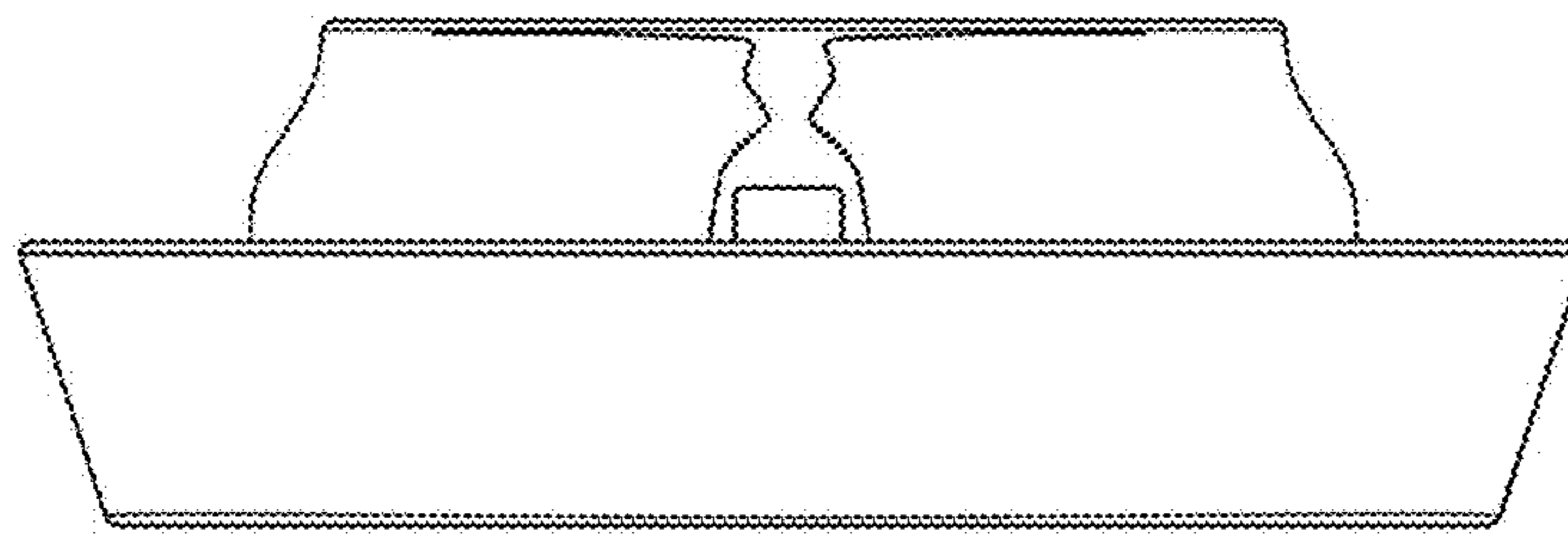


FIGURE 2

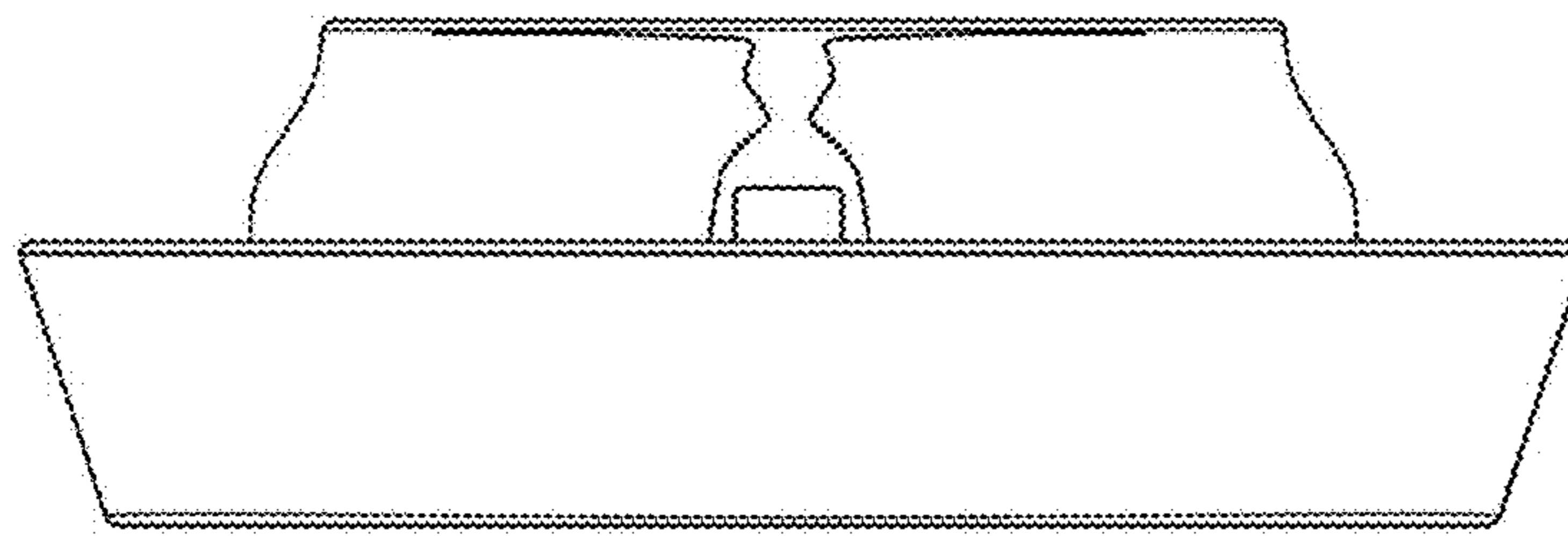


FIGURE 3

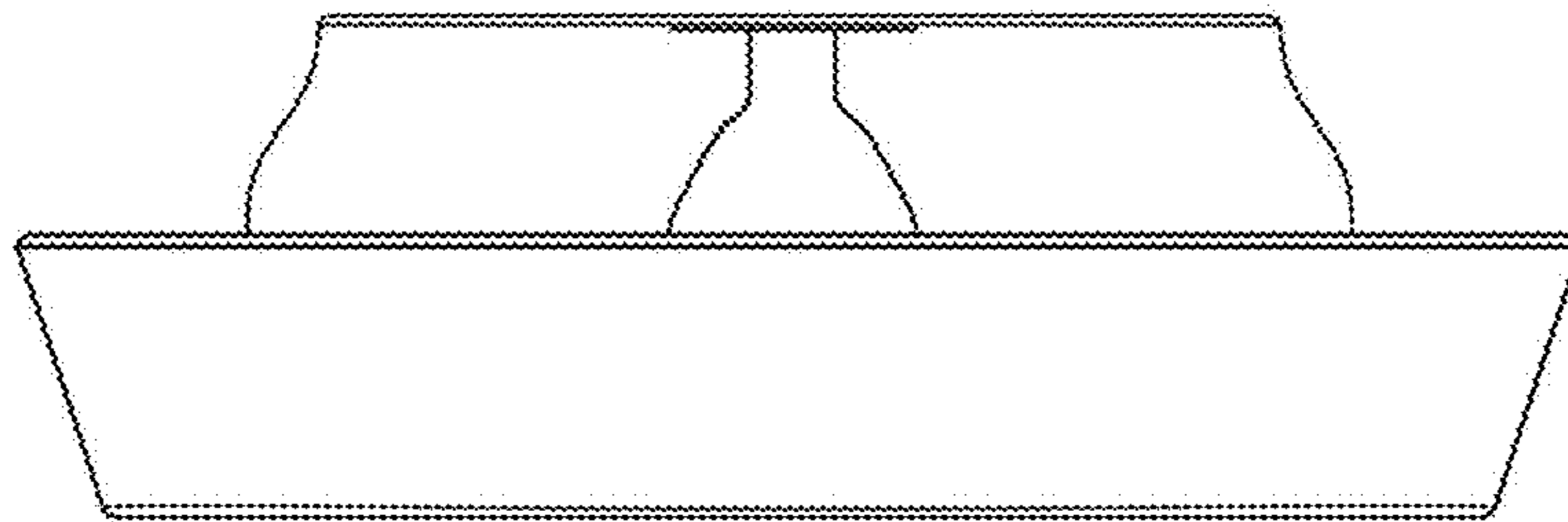


FIGURE 4

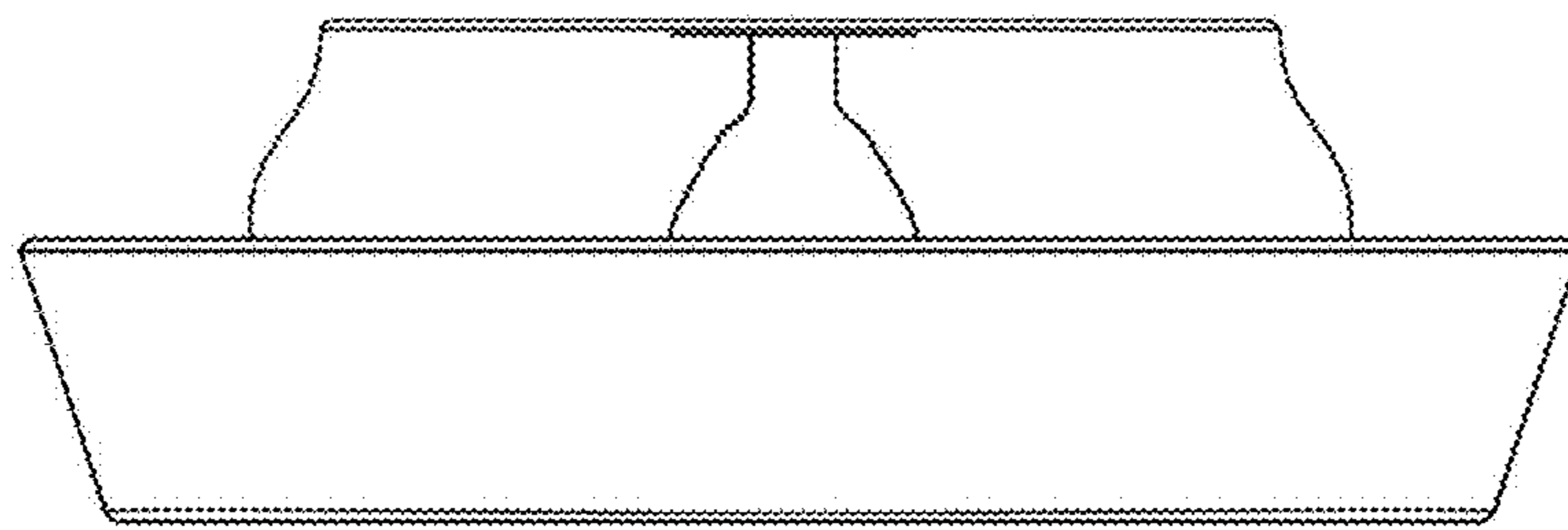


FIGURE 5

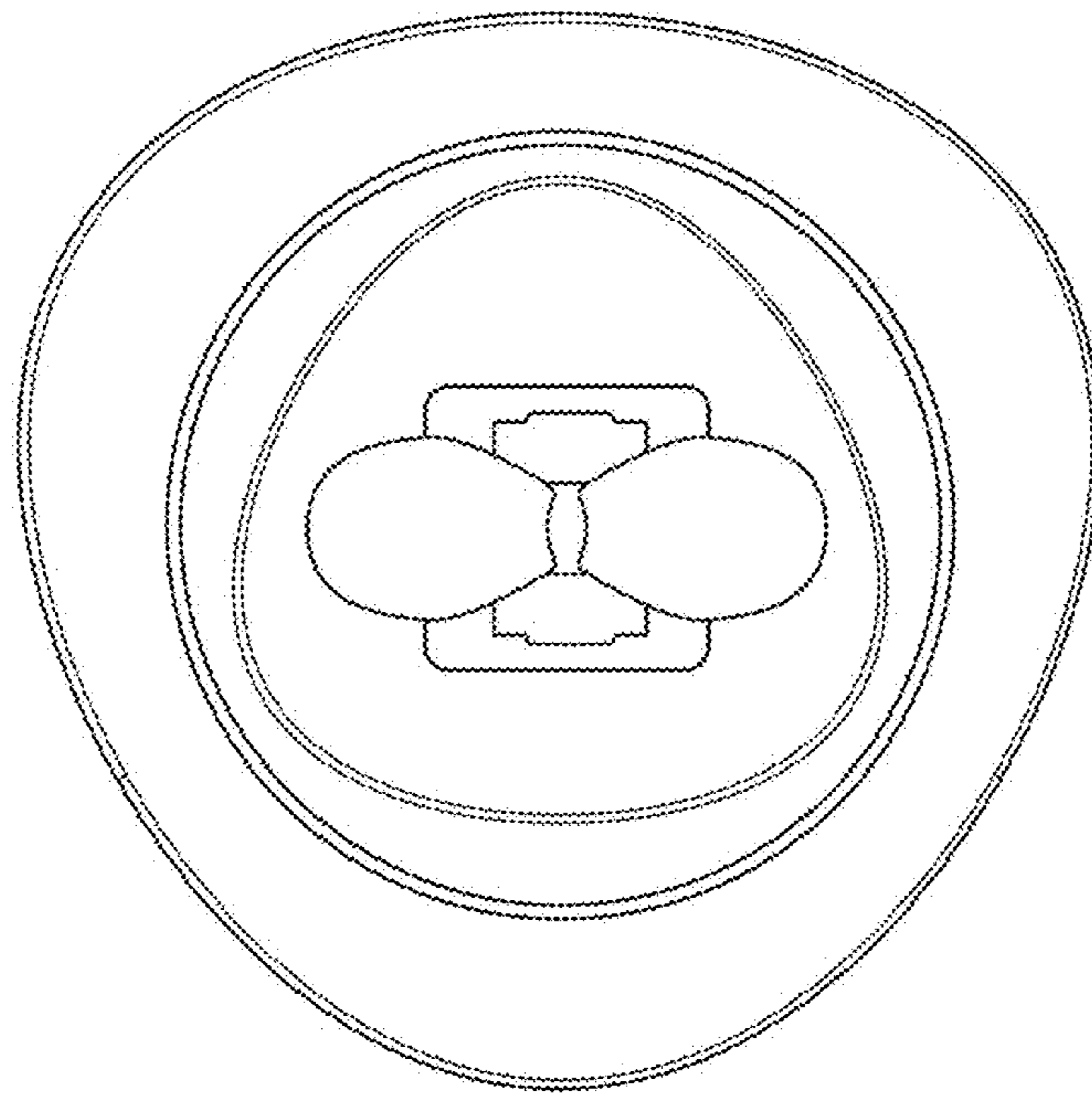


FIGURE 6

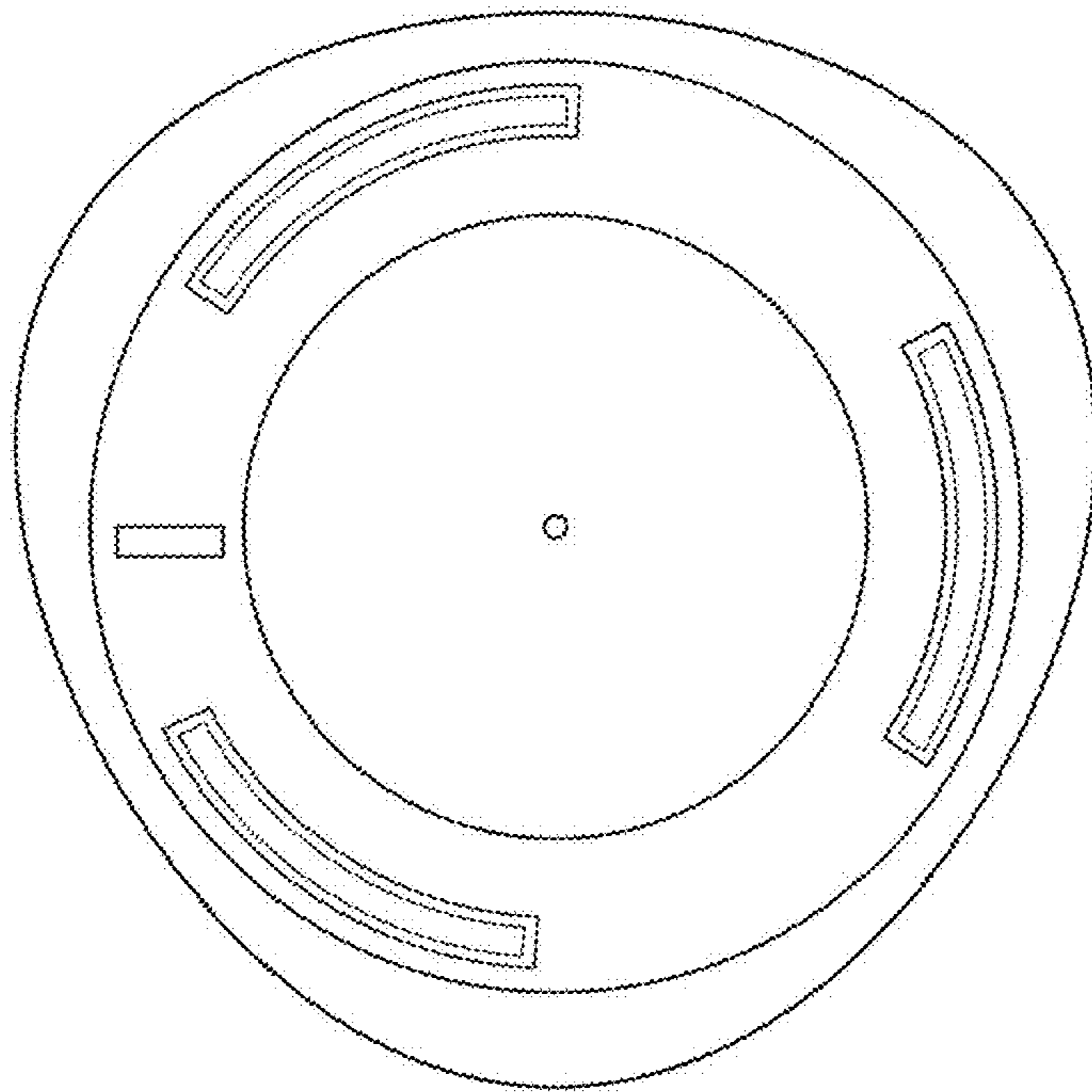


FIGURE 7