



US00D942262S

(12) **United States Design Patent** (10) **Patent No.:** **US D942,262 S**
Vasileiadis et al. (45) **Date of Patent:** **** Feb. 1, 2022**

(54) **FOLDABLE WALLET PACKAGE**

Primary Examiner — Rhea Shields

(71) Applicant: **Societe BIC**, Clichy (FR)

(74) *Attorney, Agent, or Firm* — The H. T. Than Law Group

(72) Inventors: **Andreas Vasileiadis**, Chalandri (GR);
Athanasia Gkika, Sparta (GR);
Aristeidis Stathis, Athens (GR);
Dionysios Klavdianos, Athens (GR)

(57) **CLAIM**

The ornamental design for a foldable wallet package, as shown and described.

(73) Assignee: **Societe BIC**, Clichy (FR)

DESCRIPTION

(**) Term: **15 Years**

(21) Appl. No.: **29/709,651**

(22) Filed: **Oct. 16, 2019**

(30) **Foreign Application Priority Data**

May 14, 2019 (EM) 006453791

(51) **LOC (13) Cl.** **09-03**

(52) **U.S. Cl.**
USPC **D9/415**

(58) **Field of Classification Search**

USPC D9/415, 432, 457, 431, 707; D34/6;
D24/224; D6/672; D20/40

CPC B43M 99/006; B65D 75/326; B65D 5/503;
B65D 75/566; B65D 75/008; B65D
1/0066; B65D 75/322; G06Q 30/02;
B65B 5/04

See application file for complete search history.

(56) **References Cited**

U.S. PATENT DOCUMENTS

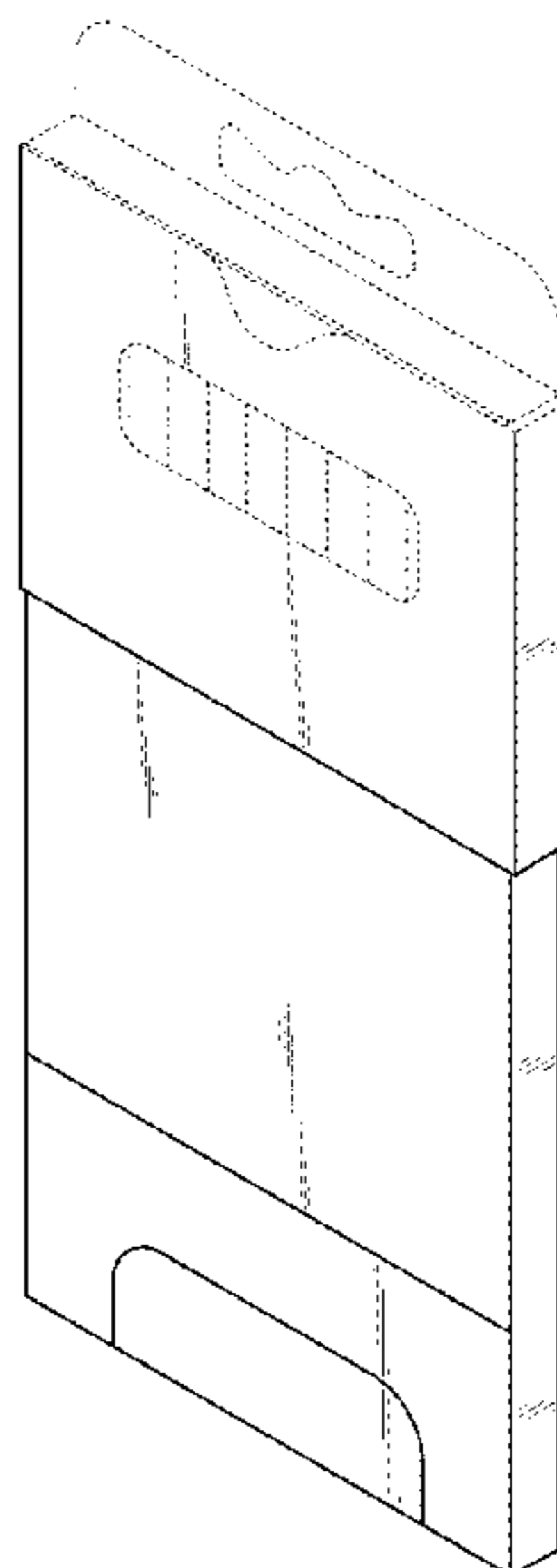
3,437,193 A * 4/1969 Freeman B65D 71/0066
206/780
D244,410 S * 5/1977 Pietsch D6/672
D326,410 S * 5/1992 Friedman D24/224
D398,429 S * 9/1998 LeBlanc D34/6
D504,622 S * 5/2005 Takahashi D9/707
D506,925 S * 7/2005 Plumer D9/415

(Continued)

FIG. 1 is a perspective view of a first embodiment of an ornamental design for a foldable wallet package in a closed configuration according to the present invention;
FIG. 2 is a front view thereof;
FIG. 3 is a back view thereof;
FIG. 4 is a side view thereof;
FIG. 5 is a perspective view the first embodiment in an open configuration;
FIG. 6 is a back view thereof;
FIG. 7 is a bottom view thereof;
FIG. 8 is a side view thereof;
FIG. 9 is a top view thereof;
FIG. 10 is a front view thereof;
FIG. 11 is a perspective view of a second embodiment of an ornamental design for a foldable wallet package in a closed configuration according to the present invention;
FIG. 12 is a front view thereof;
FIG. 13 is a back view thereof;
FIG. 14 is a side view thereof;
FIG. 15 is a perspective view of the second embodiment in an open configuration;
FIG. 16 is a back view thereof;
FIG. 17 is a bottom view thereof;
FIG. 18 is a side view thereof;
FIG. 19 is a top view thereof; and,
FIG. 20 is a front view thereof.

In the drawings, the broken lines are for the purpose of illustrating portions of the foldable wallet package that forms no part of the claimed design.

1 Claim, 20 Drawing Sheets



(56)

References Cited

U.S. PATENT DOCUMENTS

6,921,203 B2 * 7/2005 Versluys B65D 75/008
206/457
9,198,476 B1 * 12/2015 Kim B65B 5/04
9,510,631 B2 * 12/2016 Kim B65D 75/322
D791,588 S * 7/2017 Rossbach D9/431
D825,327 S * 8/2018 Drouet D9/432
10,638,822 B2 * 5/2020 Fagu B43M 99/006
D910,446 S * 2/2021 Trejo D9/457
D910,756 S * 2/2021 Carberry D20/40
11,001,430 B2 * 5/2021 Stewart B65D 75/326
D924,680 S * 7/2021 Johnson D9/432
2006/0065570 A1 * 3/2006 Martin B65D 75/566
206/703
2013/0036635 A1 * 2/2013 Mayer G06Q 30/02
40/124.06
2013/0341217 A1 * 12/2013 Chasan B65D 5/503
206/232

* cited by examiner

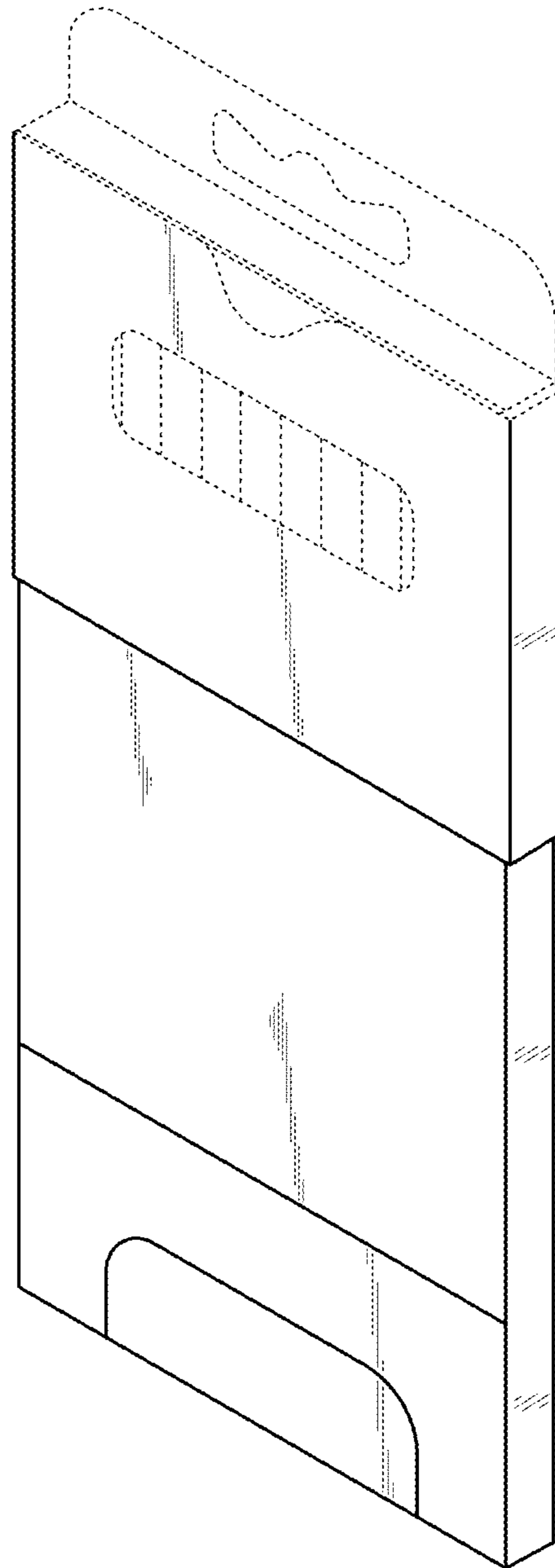


Fig. 1

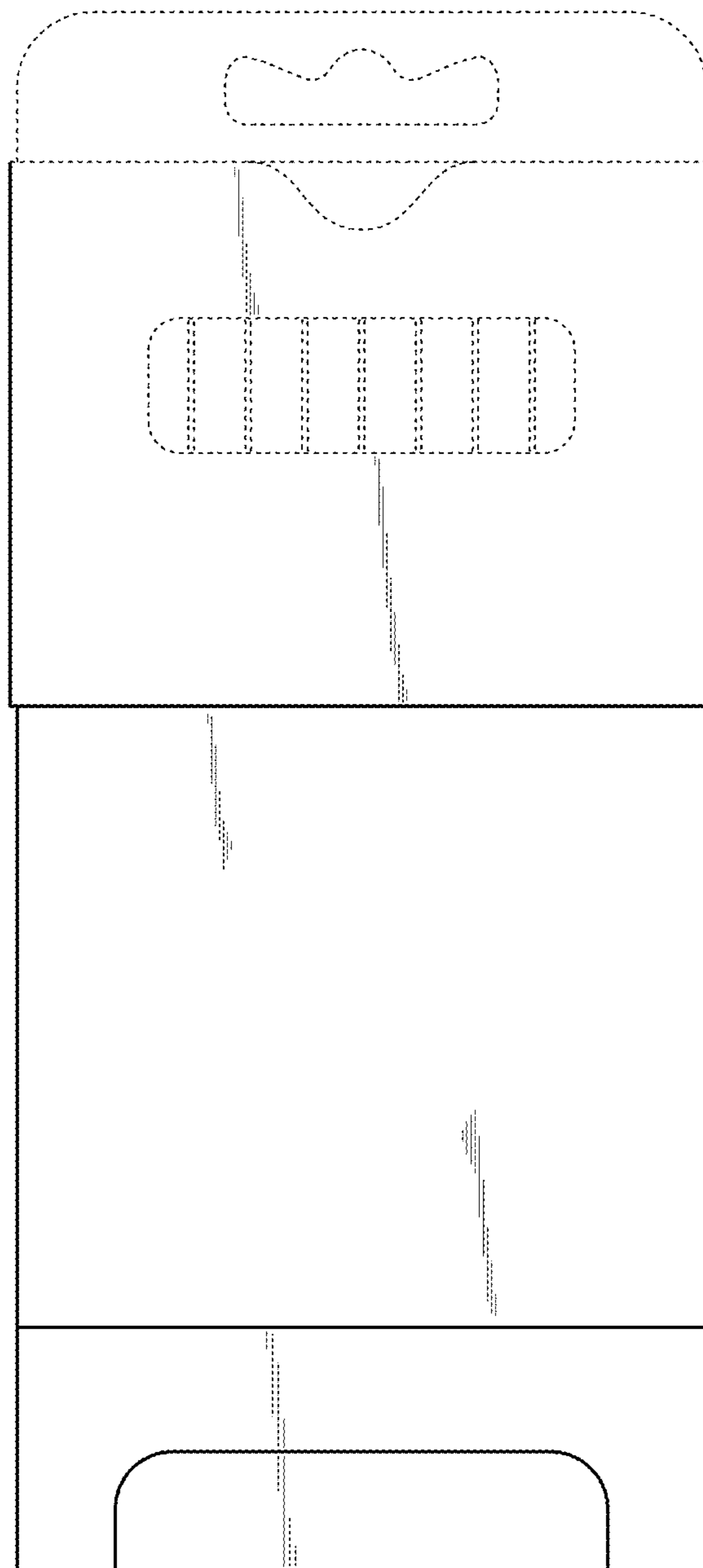


Fig. 2

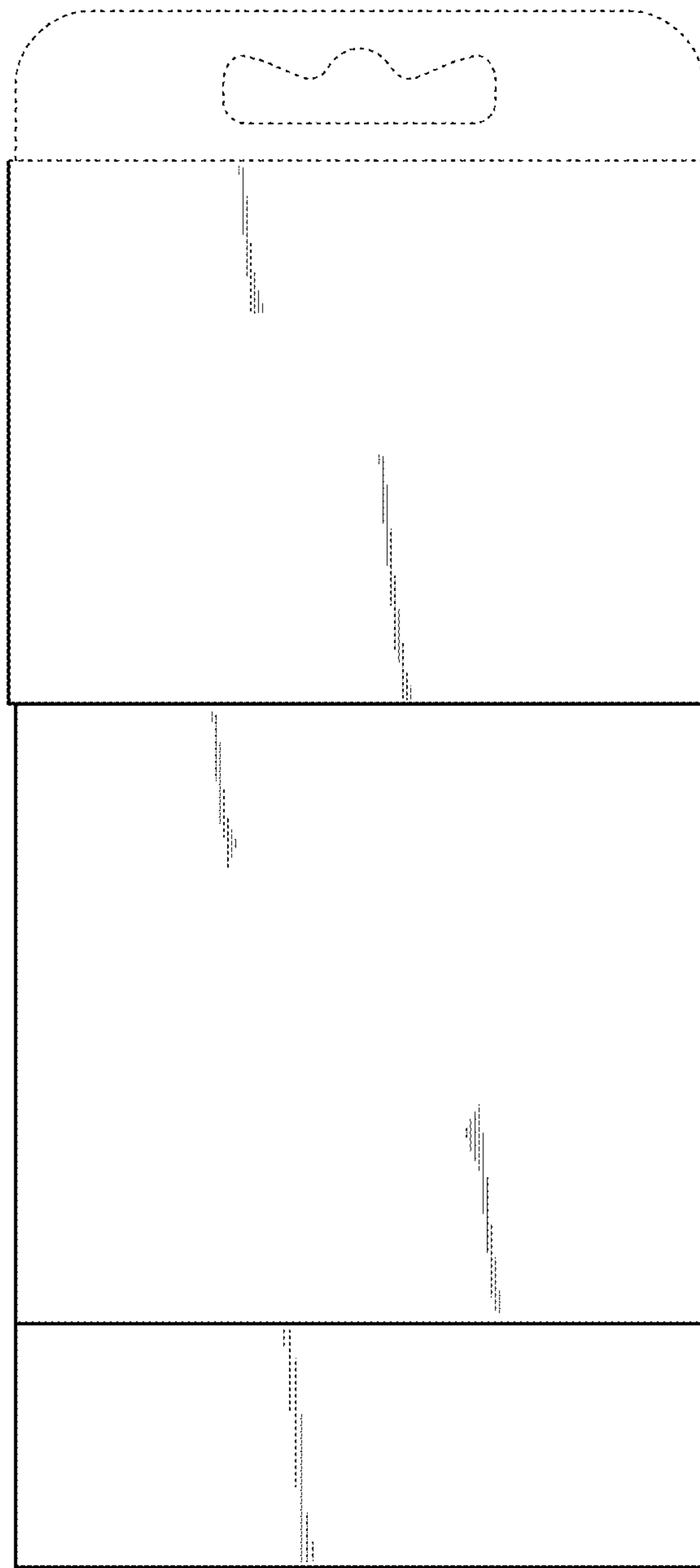


Fig. 3



Fig. 4

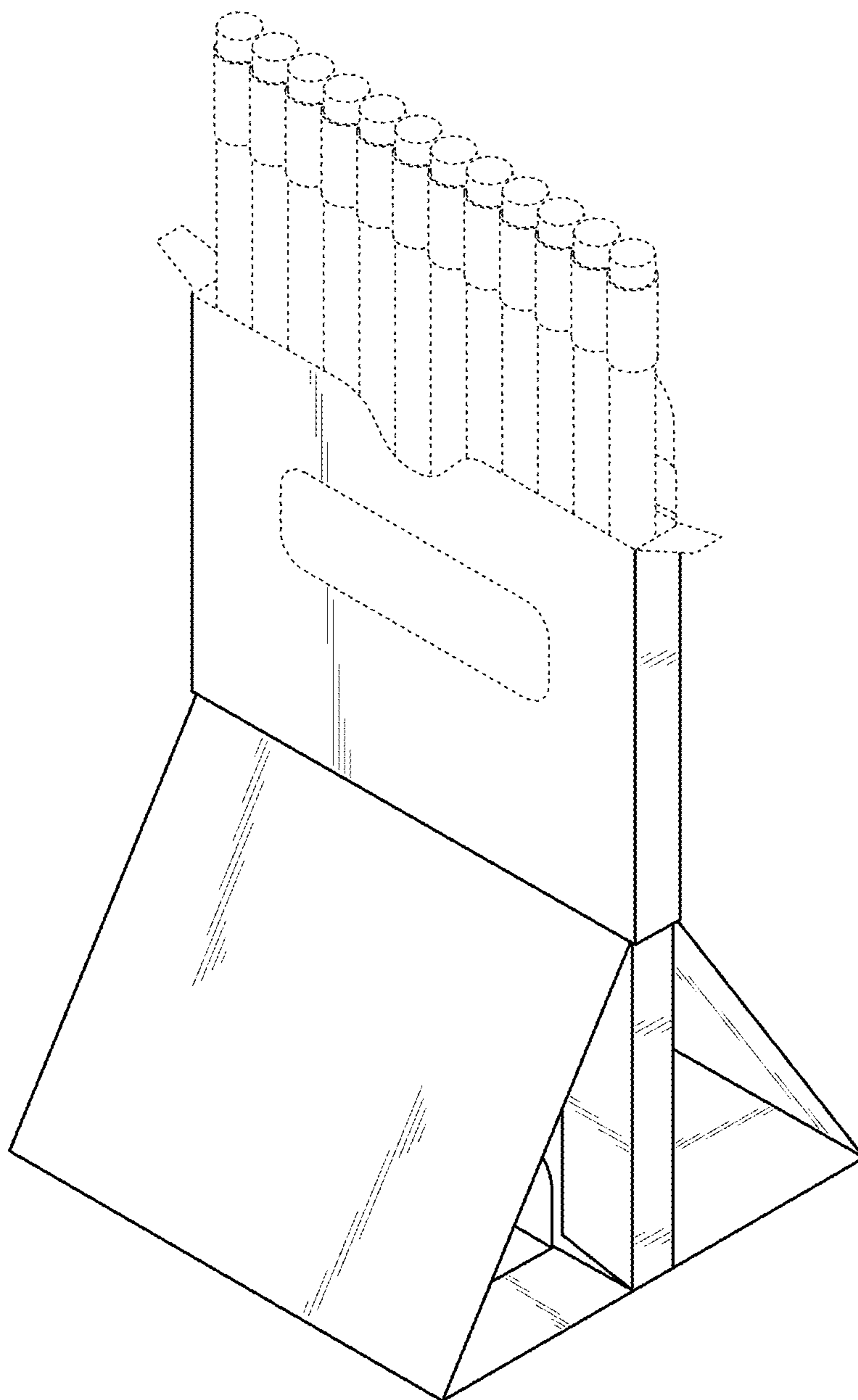


Fig. 5

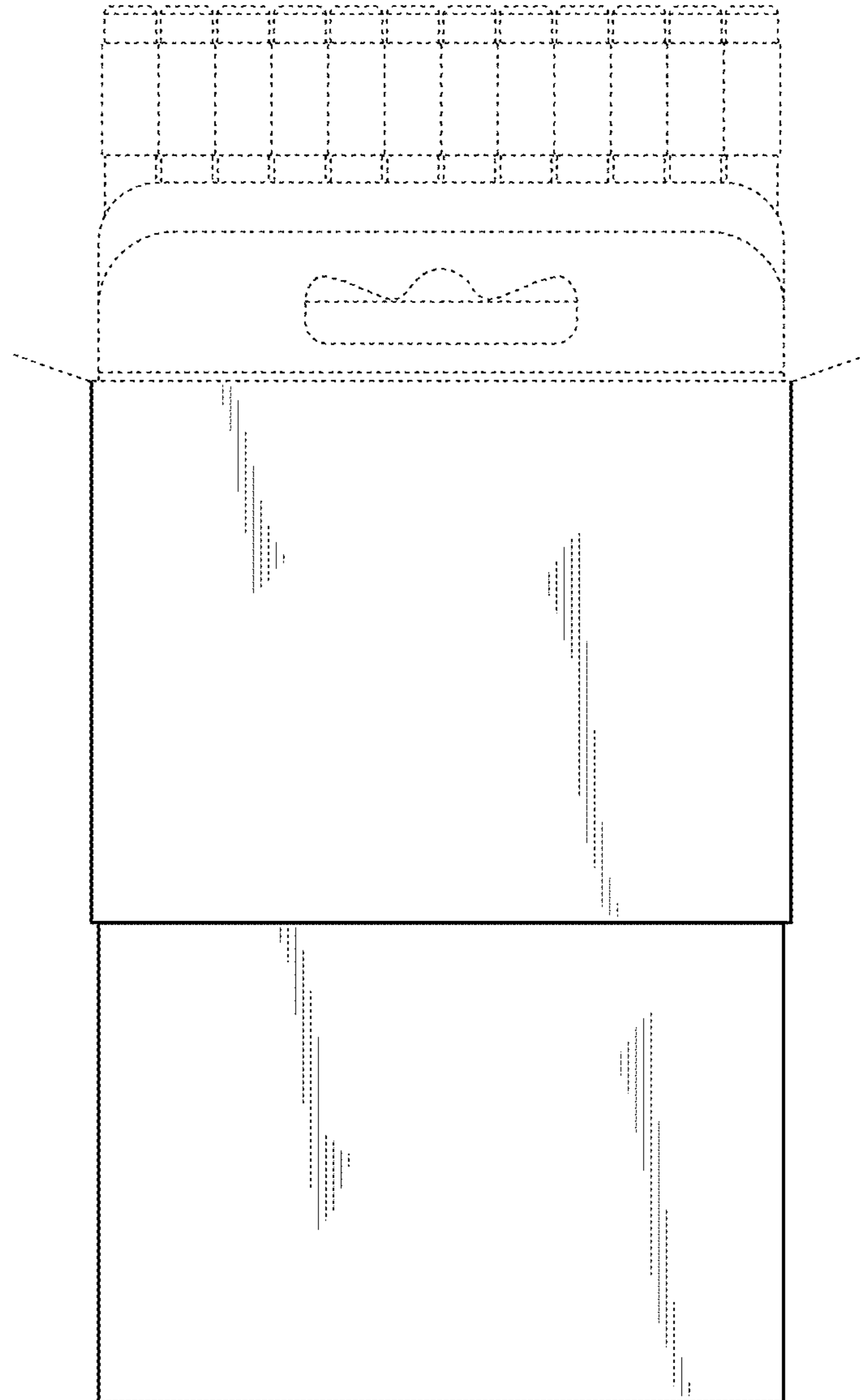


Fig. 6

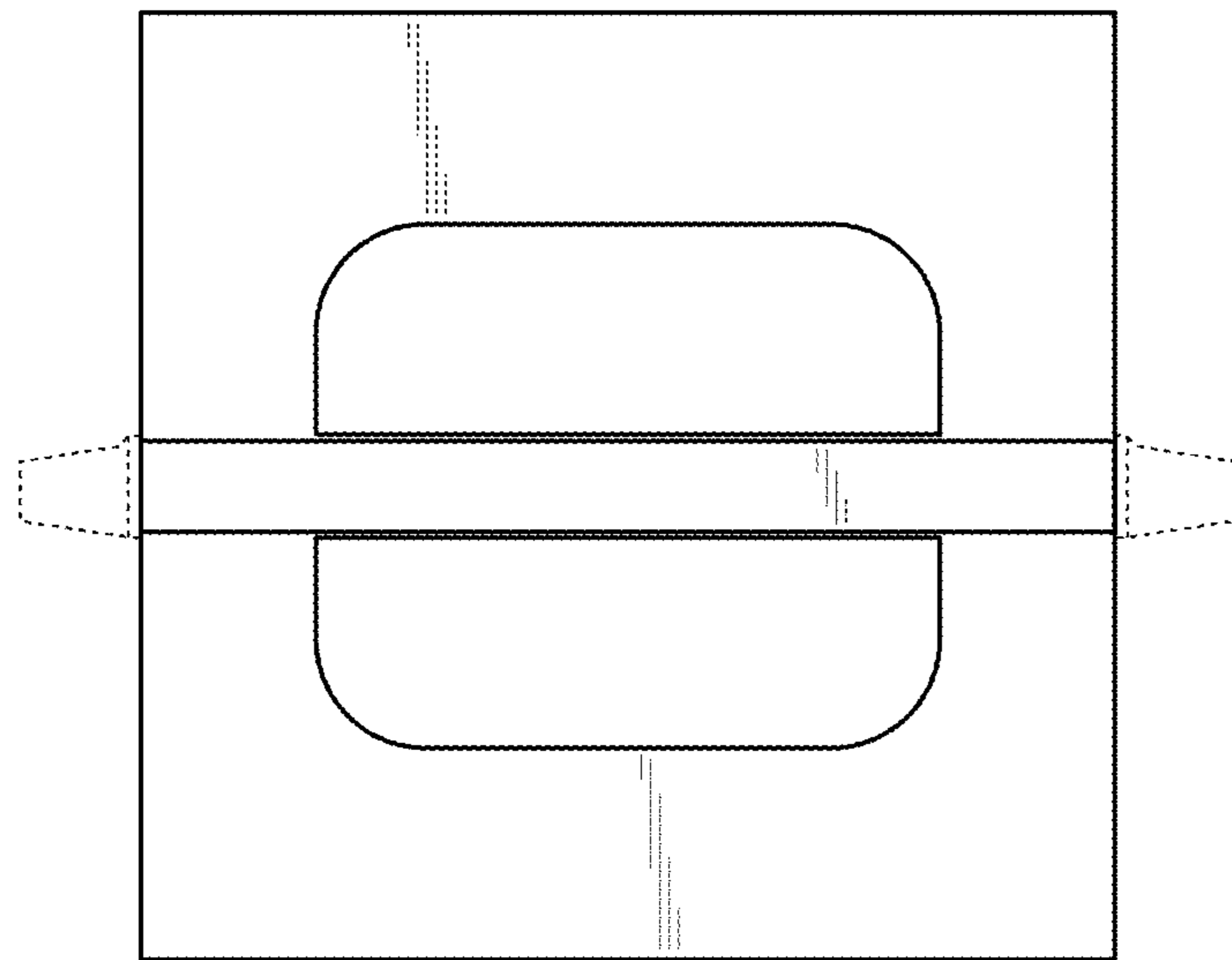


Fig. 7

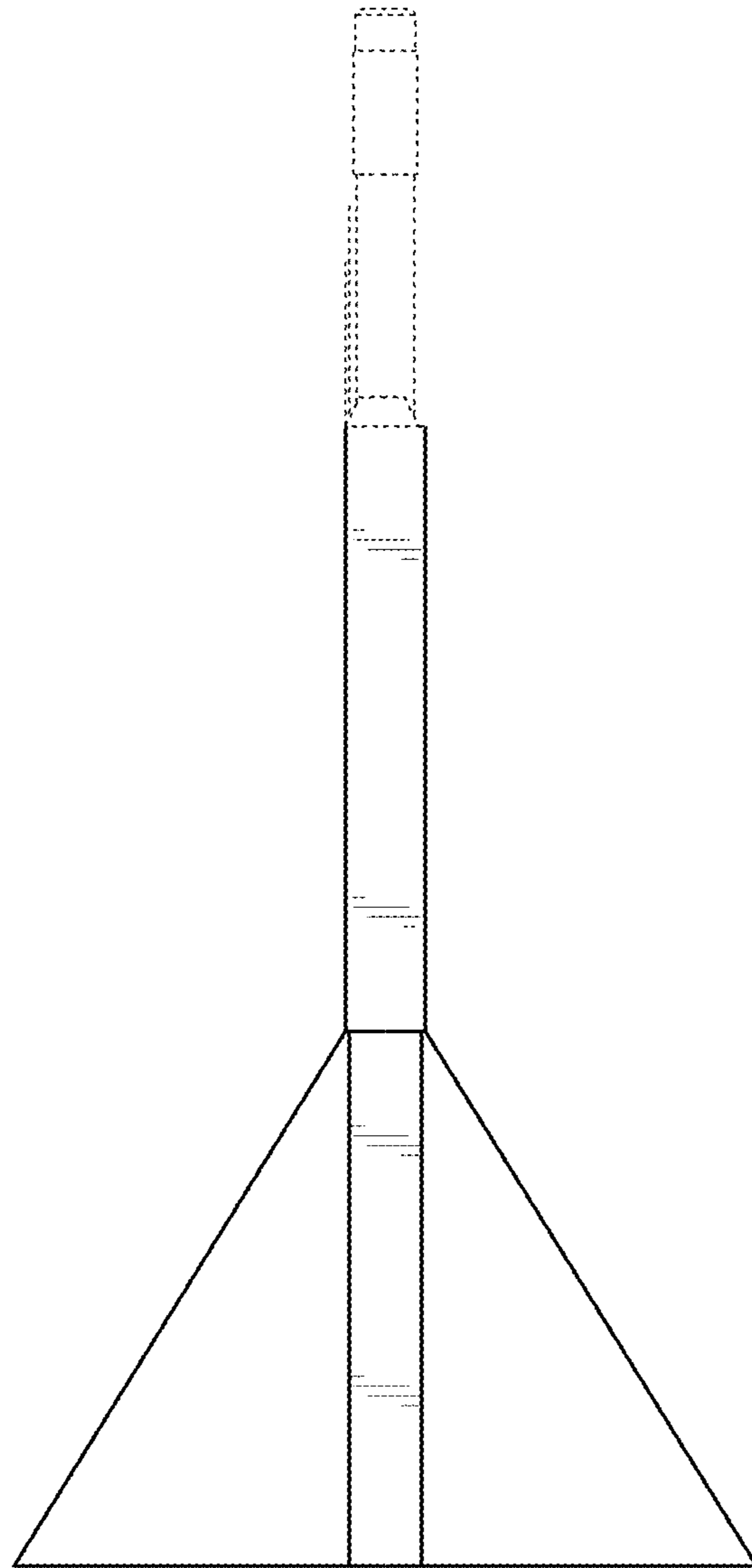


Fig. 8

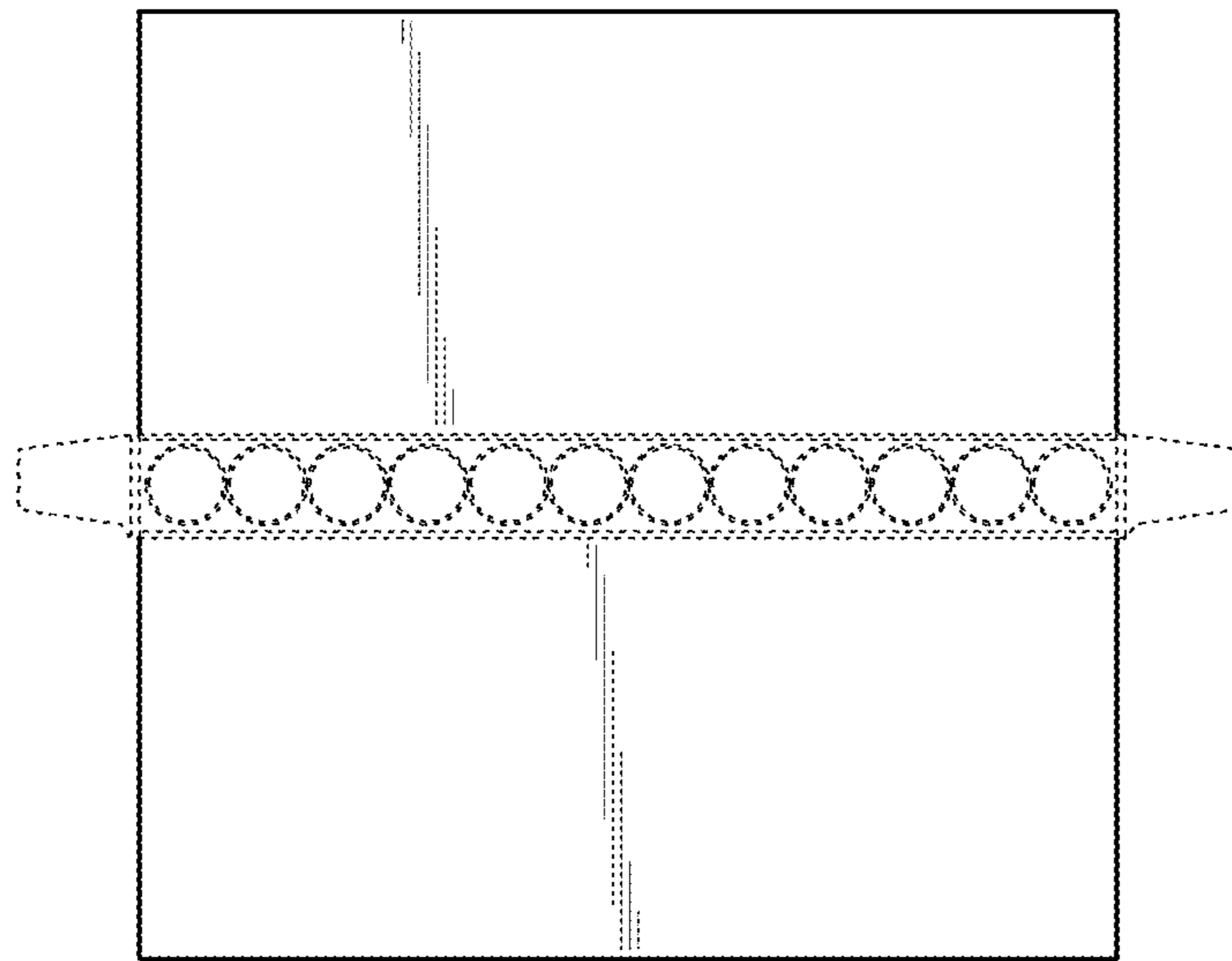


Fig. 9

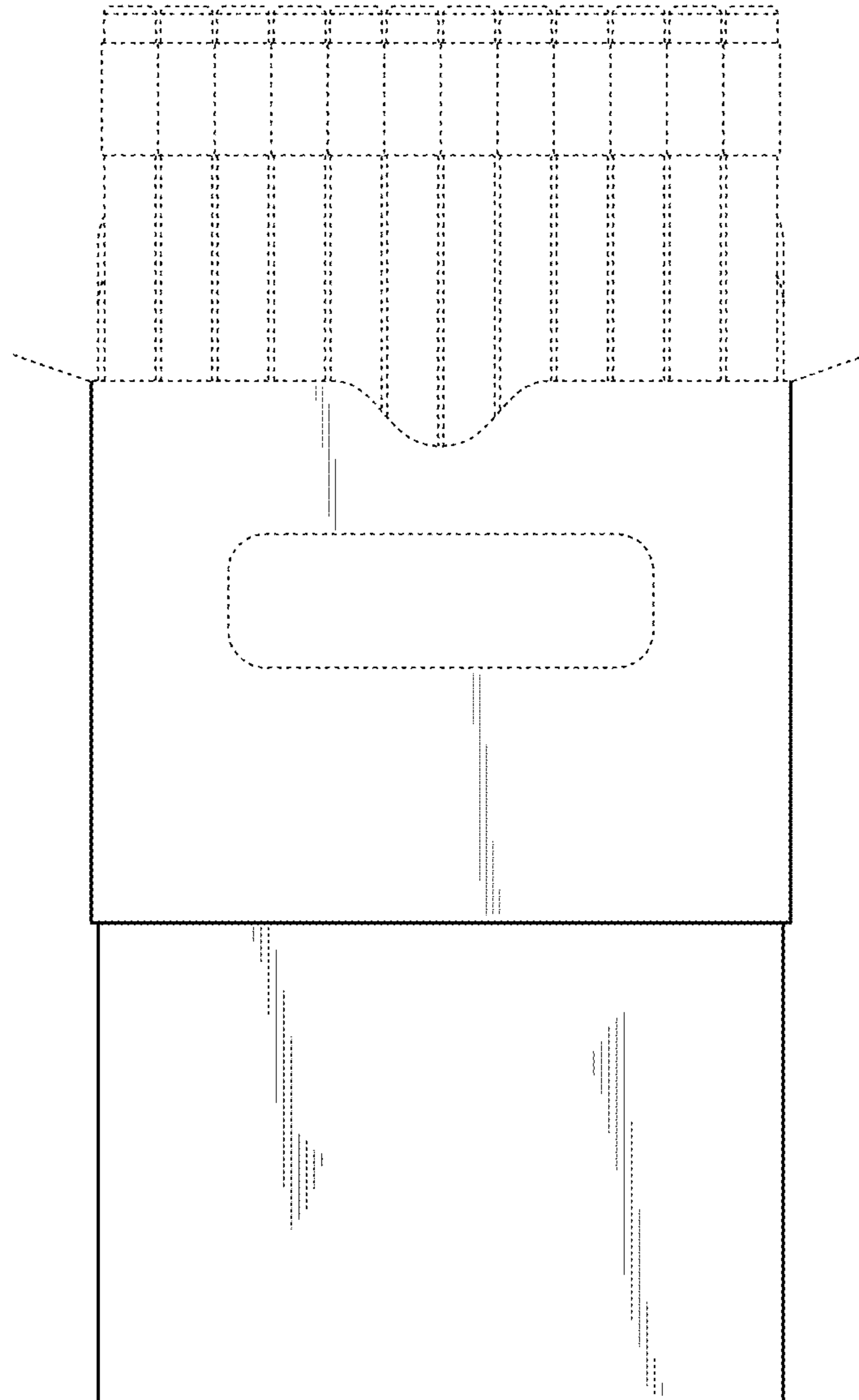


Fig. 10

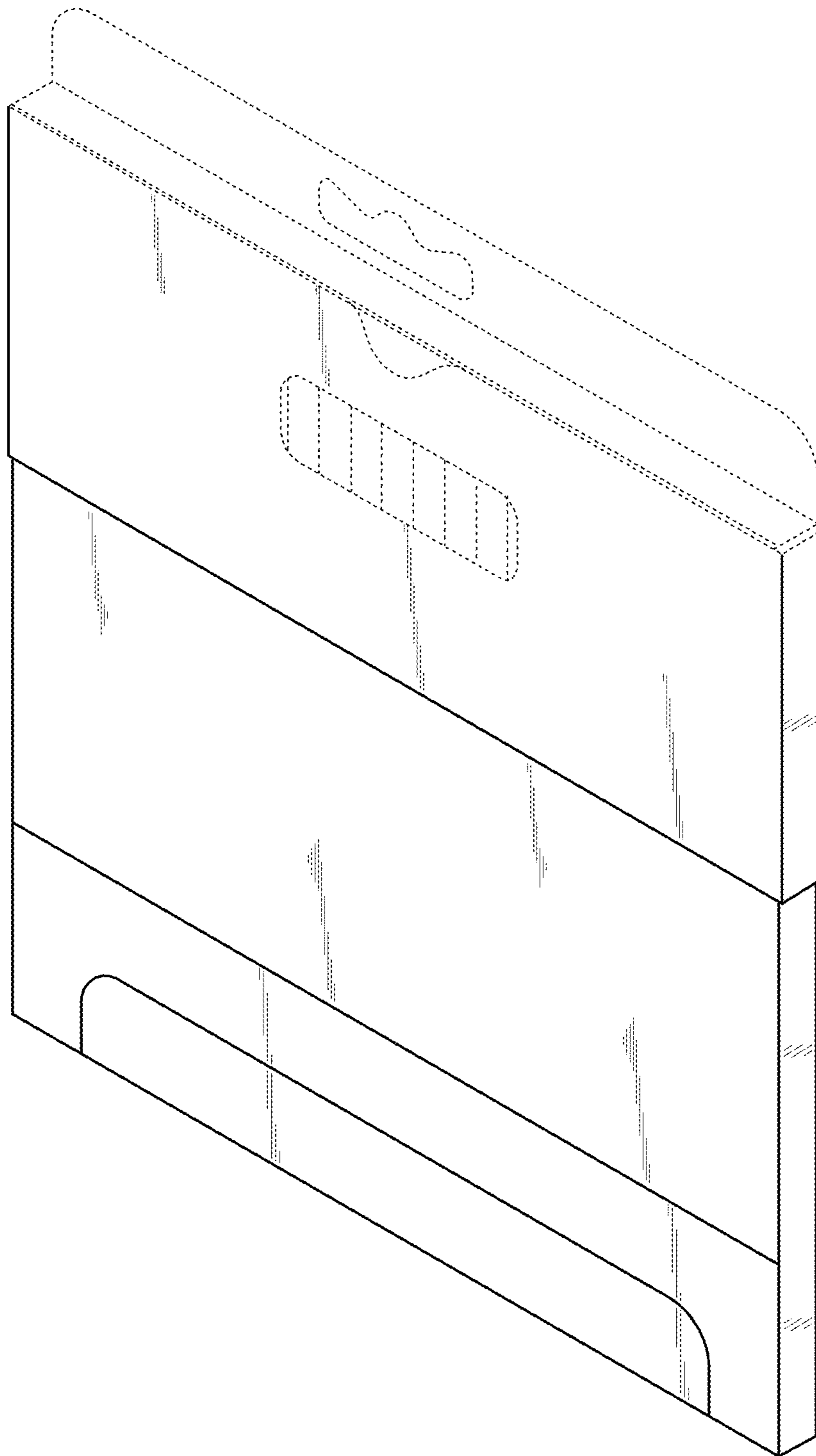


Fig. 11

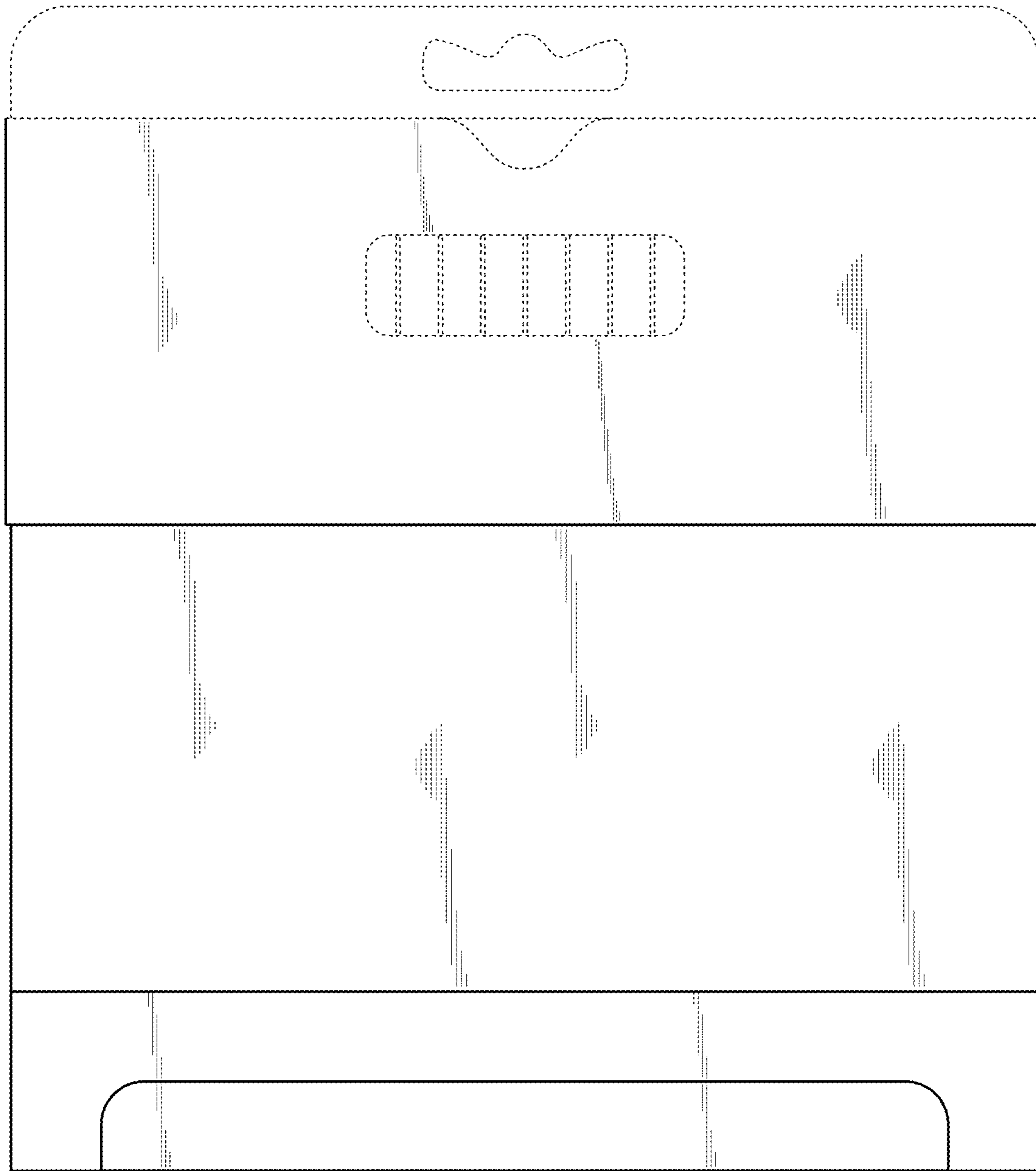


Fig. 12

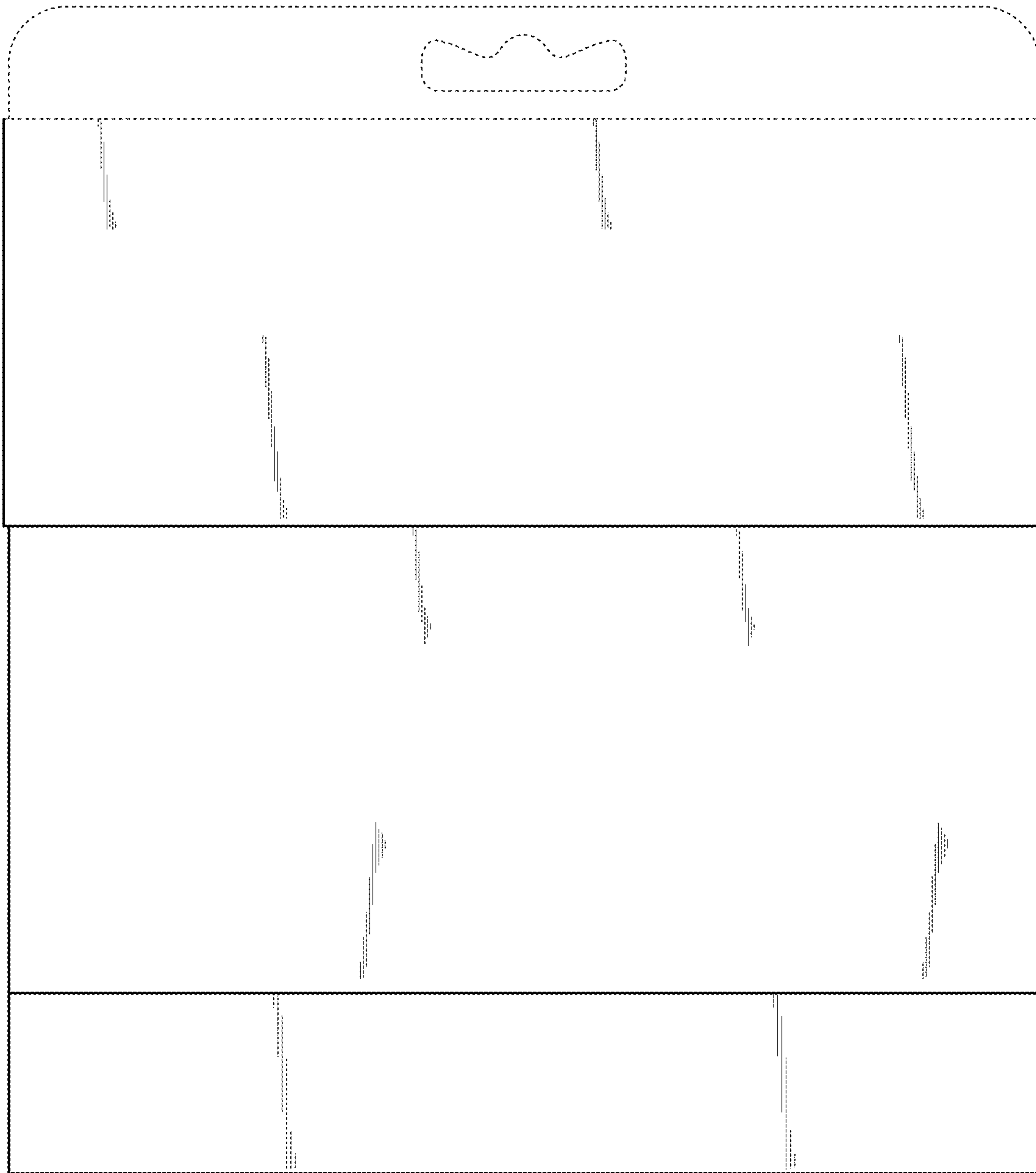


Fig. 13



Fig. 14

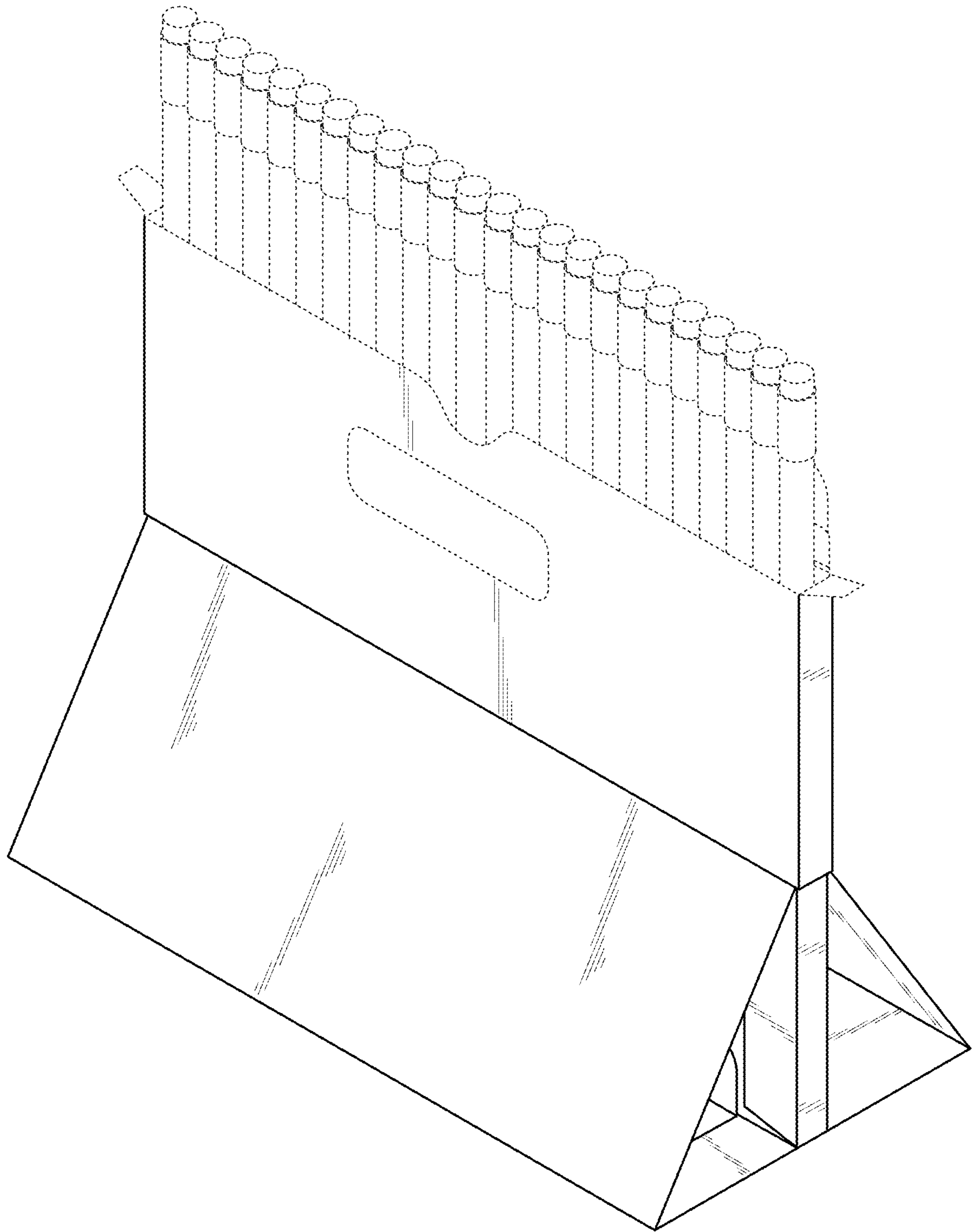


Fig. 15

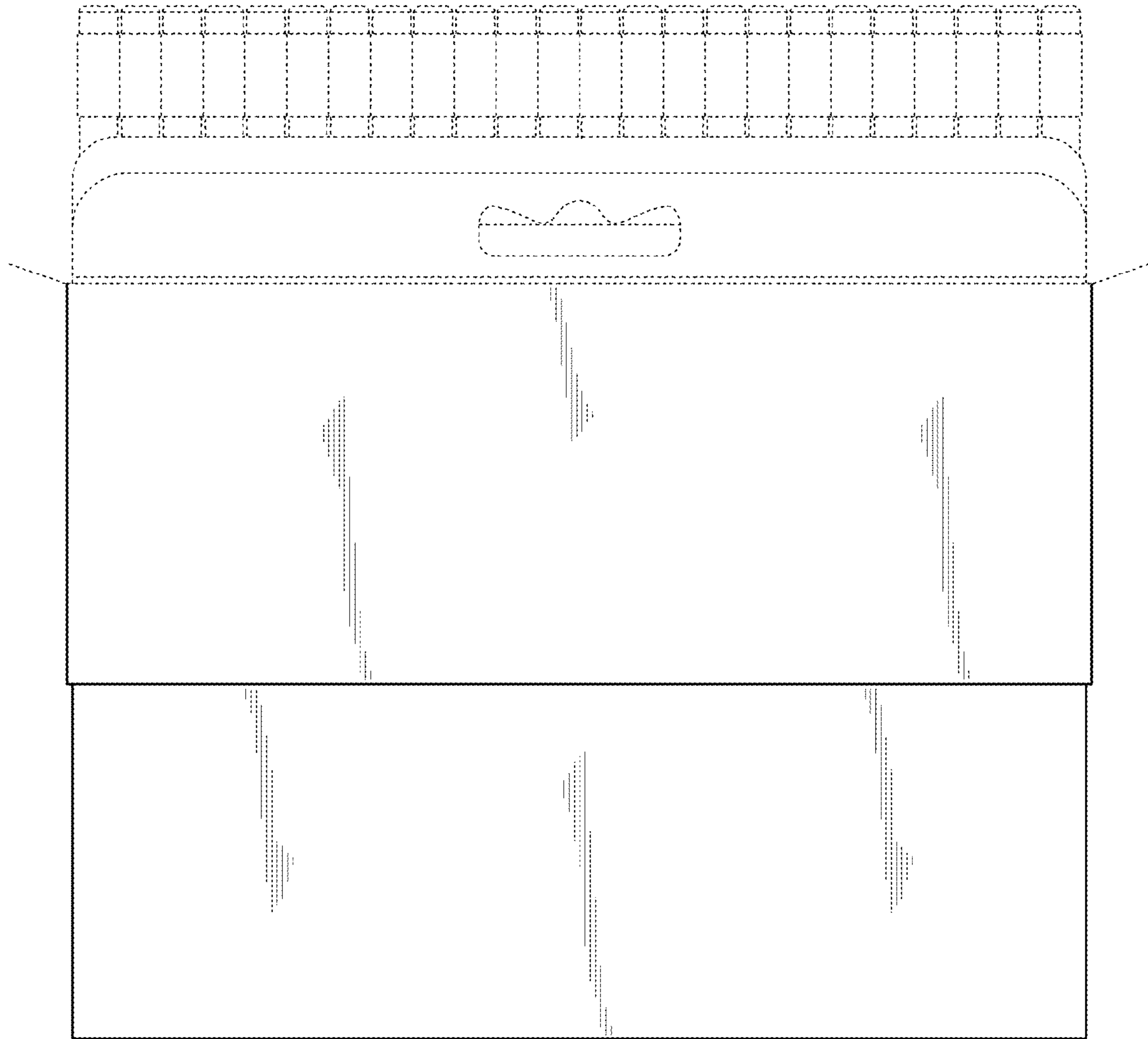


Fig. 16

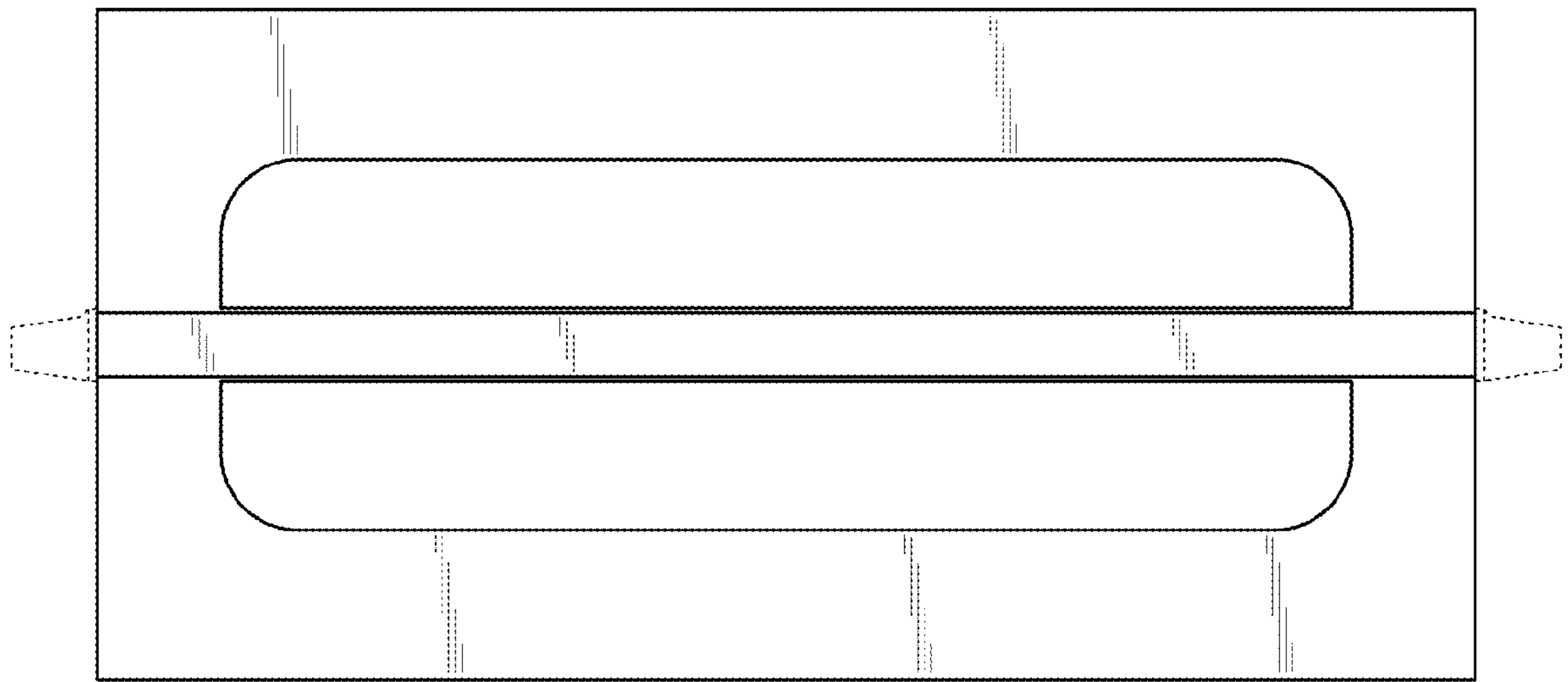


Fig. 17

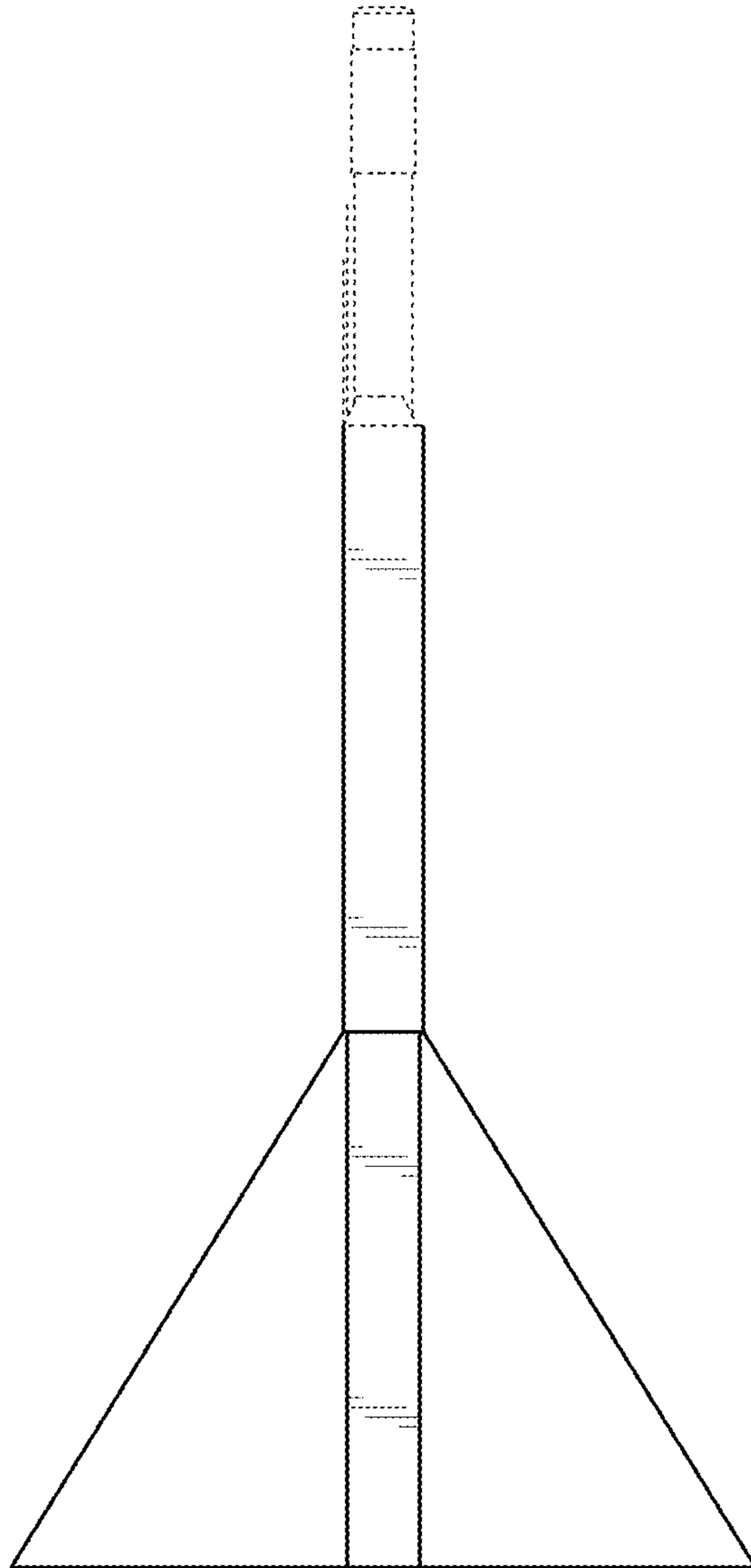


Fig. 18

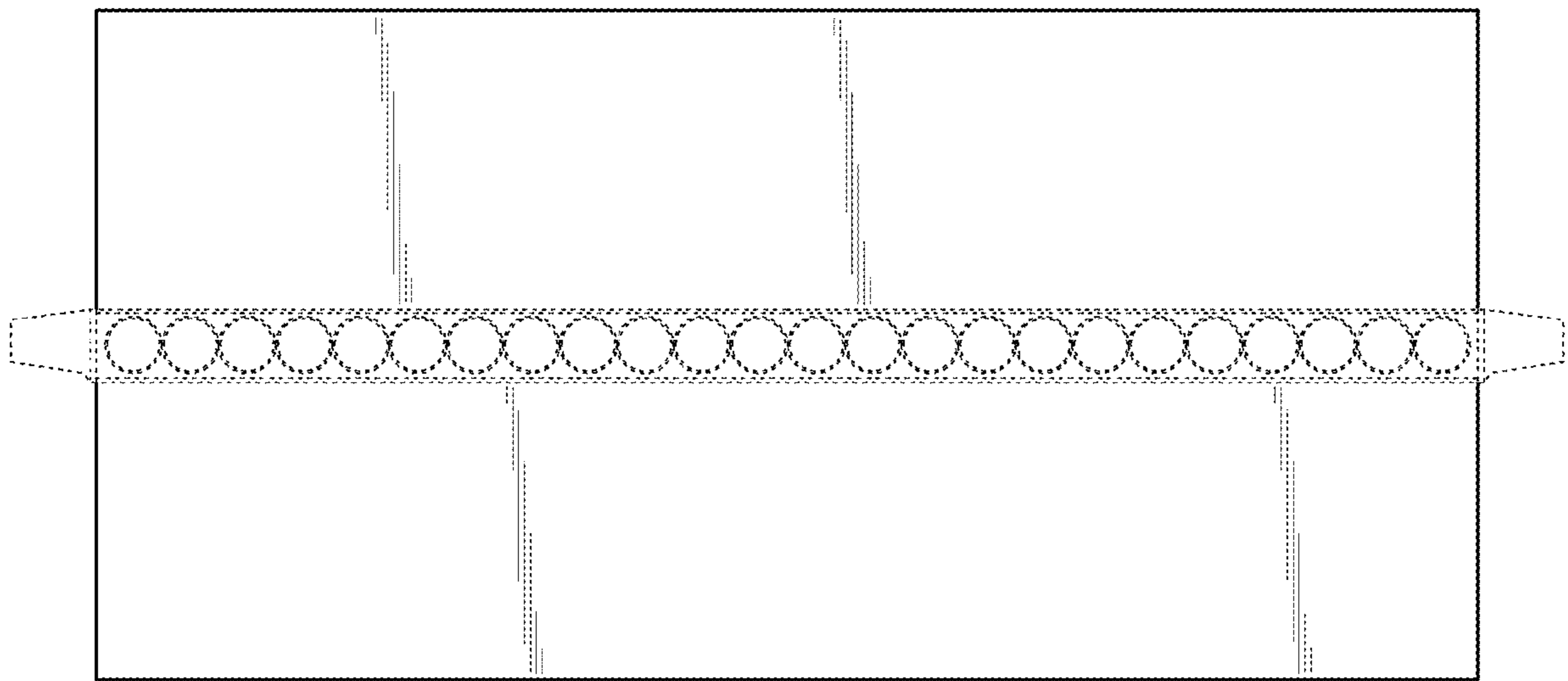


Fig. 19

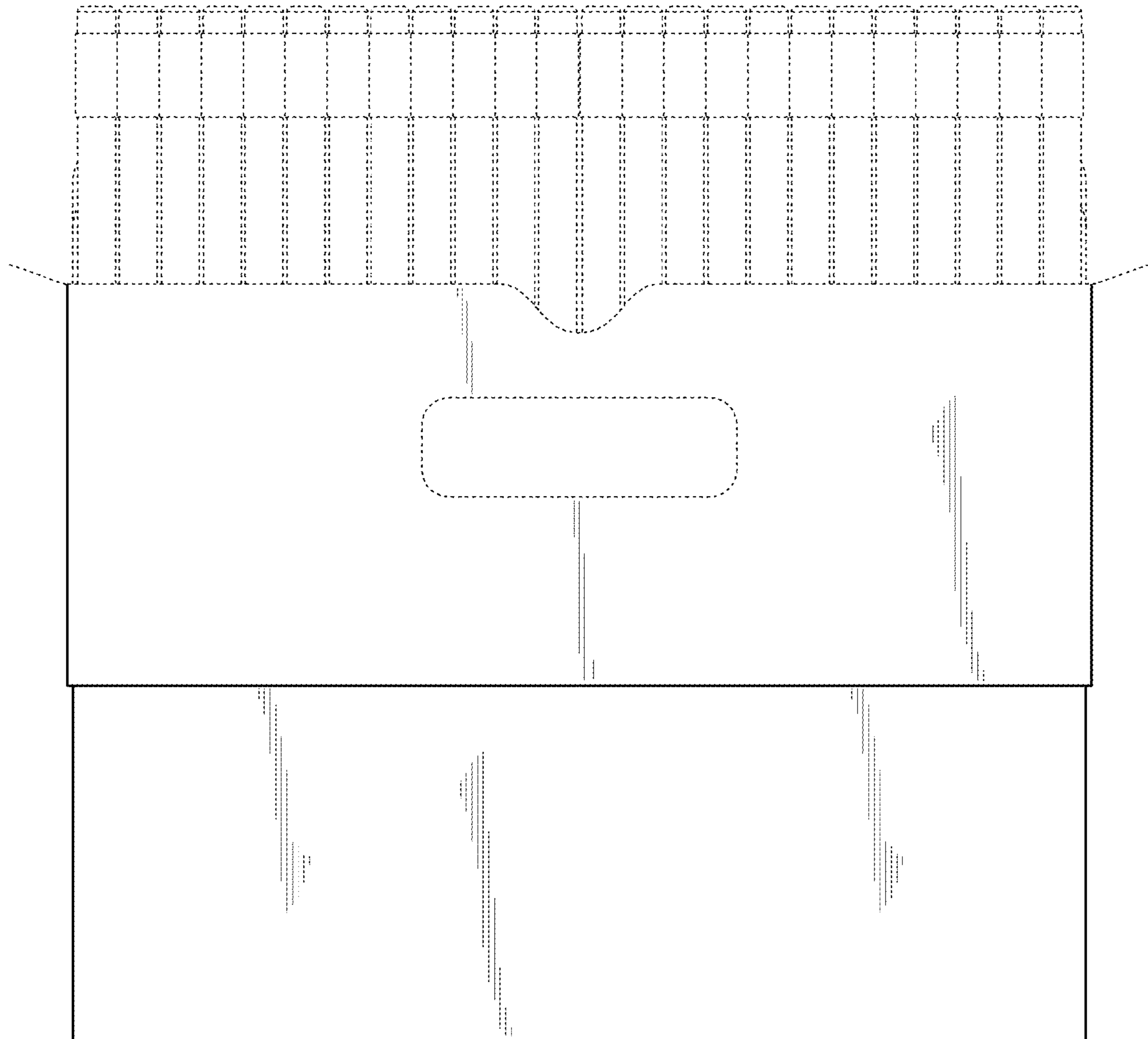


Fig. 20