



US00D942261S

(12) **United States Design Patent**
Diamond et al.

(10) **Patent No.:** **US D942,261 S**

(45) **Date of Patent:** **** Feb. 1, 2022**

- (54) **PARTS HANGER**
- (71) Applicant: **Plasticolor Molded Products Inc.**,
Fullerton, CA (US)
- (72) Inventors: **Shawn A. Diamond**, Fullerton, CA
(US); **Eric M. Peterson**, Fullerton, CA
(US)
- (73) Assignee: **Plasticolor Molded Products Inc.**,
Fullerton, CA (US)

7,753,241 B2 * 7/2010 Masanek, Jr. A47F 5/0006
223/91
D622,992 S * 9/2010 Dodd D6/552
D737,676 S * 9/2015 Brown D9/415
D779,931 S * 2/2017 Mondragon D9/415
D815,852 S * 4/2018 Carr D6/513
2011/0095155 A1 * 4/2011 Milella, Jr. A47F 5/0006
248/339
2014/0202901 A1 * 7/2014 Brown B65D 33/14
206/335

(**) Term: **15 Years**

(21) Appl. No.: **29/670,690**

(22) Filed: **Nov. 19, 2018**

(51) **LOC (13) Cl.** **09-03**

(52) **U.S. Cl.**
USPC **D9/415; D6/513**

(58) **Field of Classification Search**
USPC D6/315, 319, 326, 672, 682, 512, 513,
D6/552, 553, 556, 567, 574; D9/415
CPC A47G 25/28; A47G 25/485; A47F 5/0006;
A47F 7/16; A47F 7/163; A47F 7/143;
B65D 33/14; B65D 2585/6882
See application file for complete search history.

(56) **References Cited**

U.S. PATENT DOCUMENTS

D222,513 S * 10/1971 Hart D6/315
D245,214 S * 8/1977 Allen D6/552
D326,565 S * 6/1992 Mohn D6/317
D387,589 S * 12/1997 Fukuda D6/513
D613,511 S * 4/2010 Sultan D6/315

* cited by examiner

Primary Examiner — Lauren R Calve

(74) *Attorney, Agent, or Firm* — Stradling Yocca Carlson & Rauth

(57) **CLAIM**

The ornamental design of the parts hanger, as shown and described.

DESCRIPTION

FIG. 1 is an environmental front, top and left perspective view showing the parts hanger in use holding, for example, an unclaimed mud flap;

FIG. 2 is a front, top and left perspective view of the parts hanger.

FIG. 3 is a front elevation view thereof;

FIG. 4 is a rear elevation view thereof;

FIG. 5 is a left side elevation view thereof;

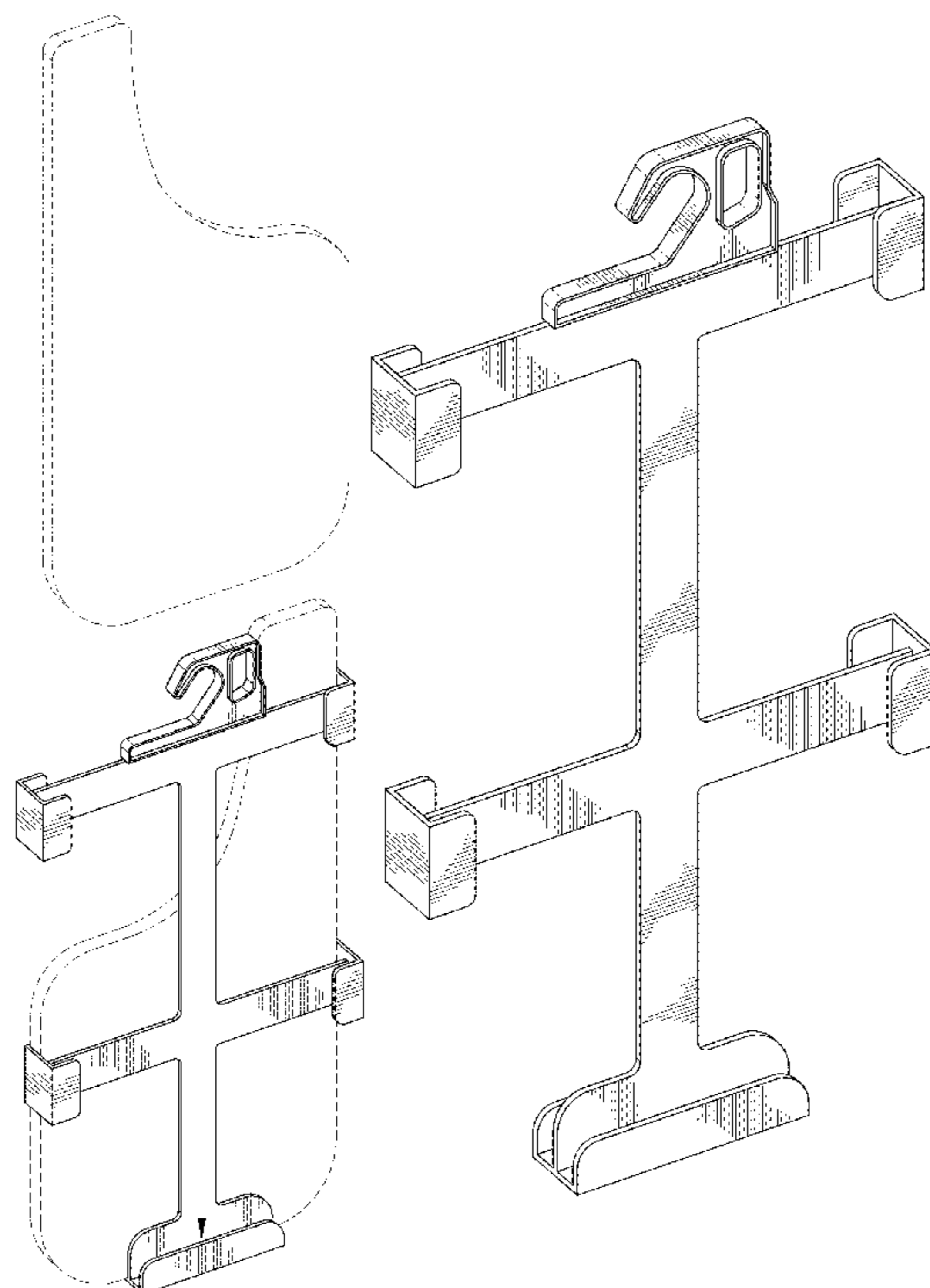
FIG. 6 is a right side elevation view thereof;

FIG. 7 is a top plan view thereof; and,

FIG. 8 is a bottom plan view thereof.

The broken lines shown represent environmental subject matter and form no part of the claimed design.

1 Claim, 6 Drawing Sheets



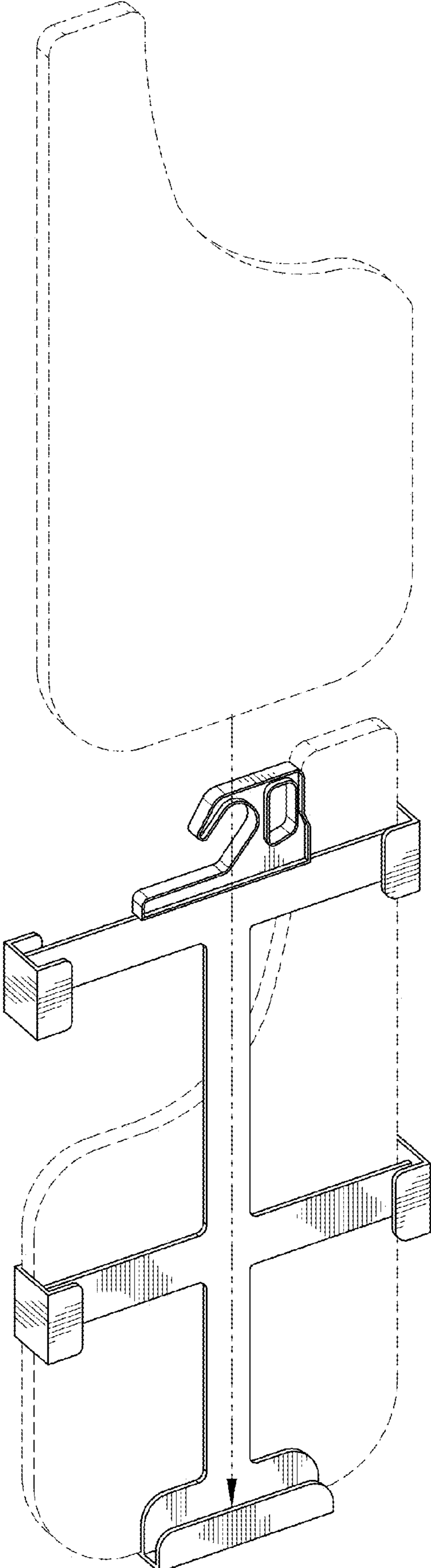


FIG. 1

FIG. 2

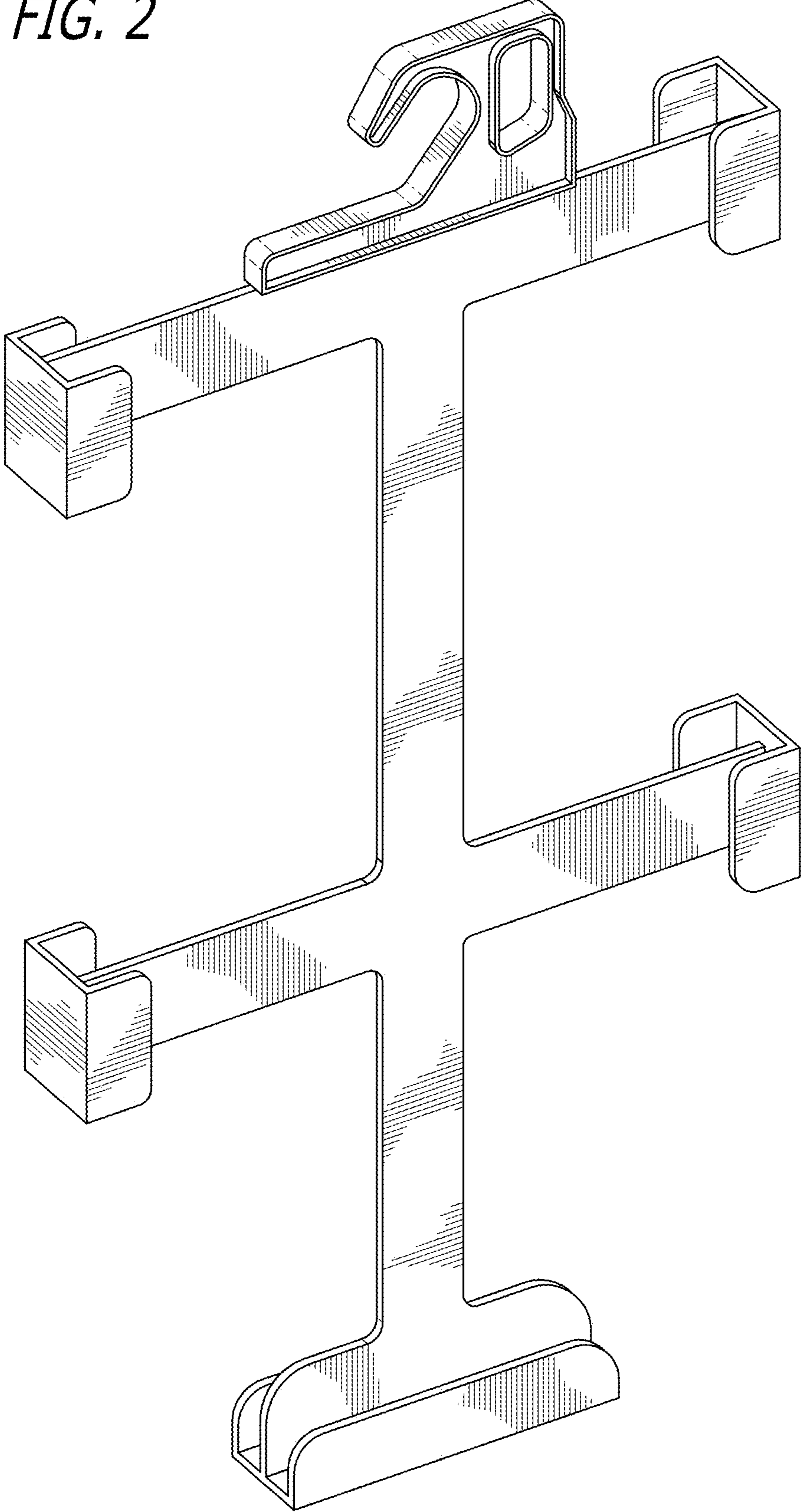


FIG. 3

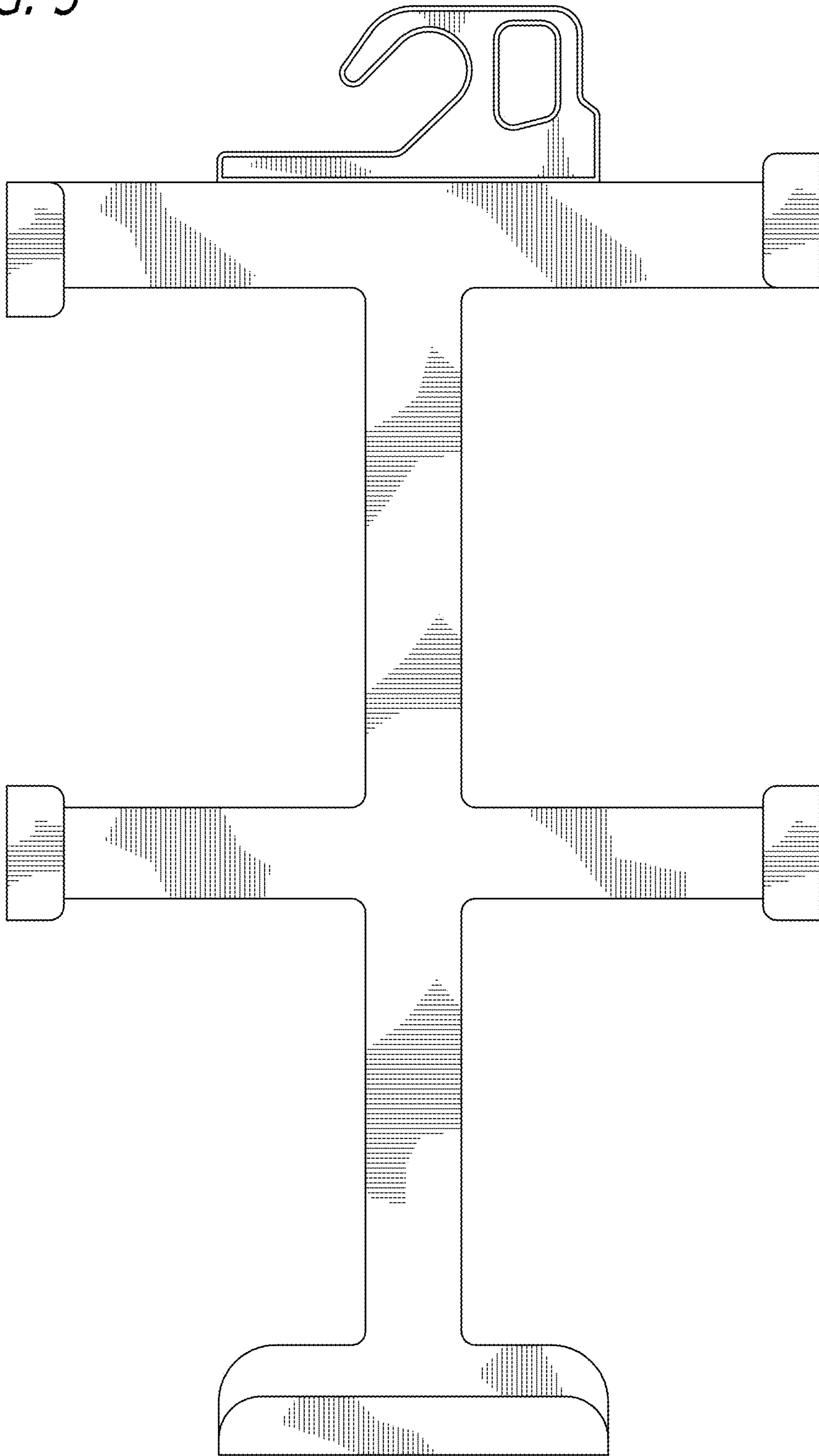


FIG. 4

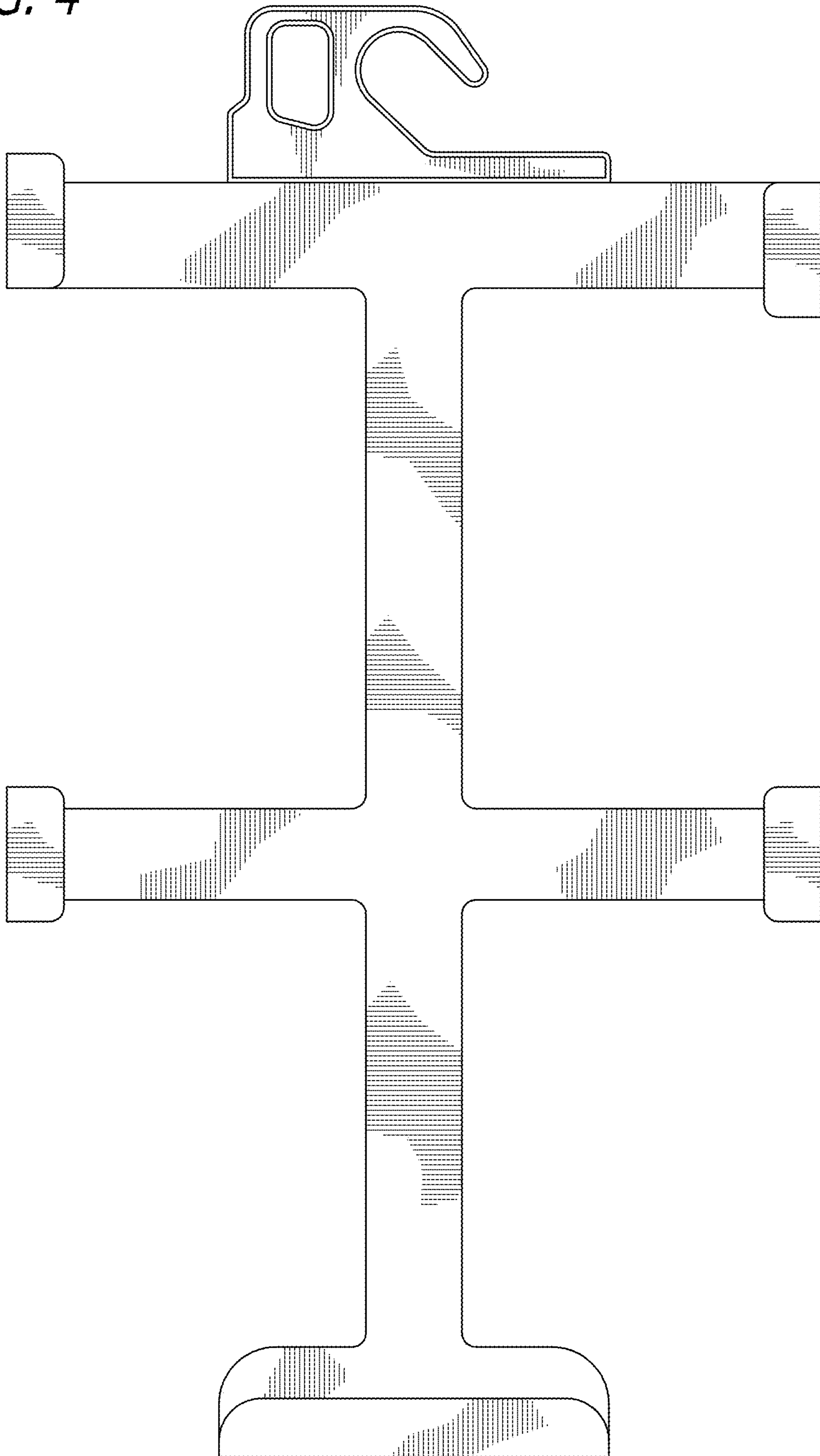


FIG. 5

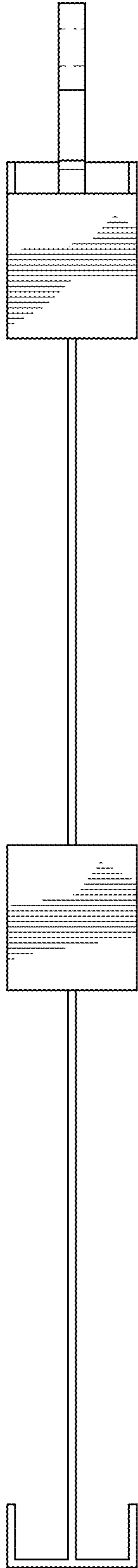
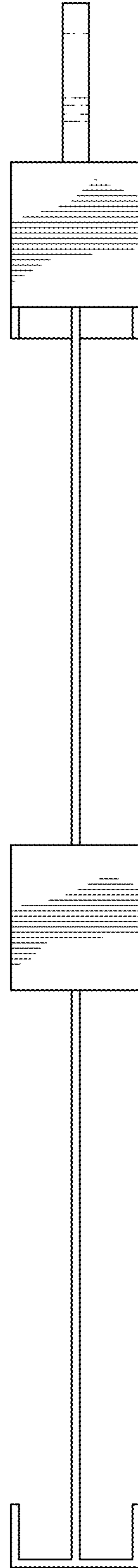


FIG. 6



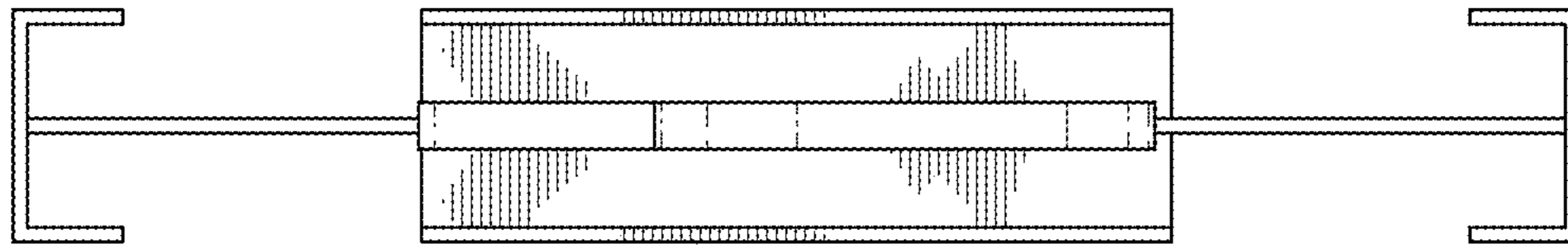


FIG. 7

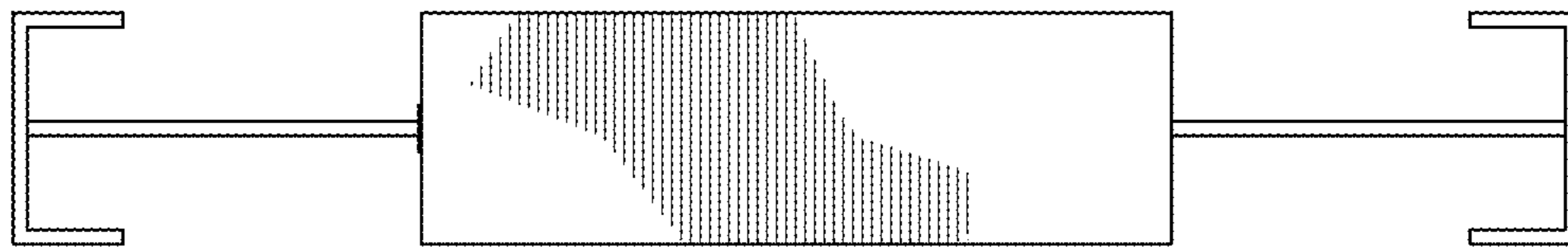


FIG. 8