



US00D942257S

(12) **United States Design Patent**  
**Lahens**

(10) **Patent No.:** **US D942,257 S**

(45) **Date of Patent:** **\*\* Feb. 1, 2022**

(54) **CLIP**

(71) Applicant: **O2COOL, LLC**, Chicago, IL (US)

(72) Inventor: **Luis Lahens**, Boca Raton, FL (US)

(73) Assignee: **O2COOL, LLC**, Chicago, IL (US)

(\*\*) Term: **15 Years**

(21) Appl. No.: **29/728,281**

(22) Filed: **Mar. 17, 2020**

(51) **LOC (13) Cl.** ..... **08-08**

(52) **U.S. Cl.**  
USPC ..... **D8/395**

(58) **Field of Classification Search**  
USPC ..... D8/70-72, 349, 371, 373-374, 380,  
D8/382-383, 394-398, 737; D23/367;  
D26/125; D1/102, 125  
CPC .. A47G 25/485; B65D 33/1675; D06F 55/02;  
F16B 2/10; F16B 2/20  
See application file for complete search history.

(56) **References Cited**

**U.S. PATENT DOCUMENTS**

D91,047 S *	11/1933	West	.....	D1/102
D110,380 S *	7/1938	Watts	.....	D1/102
D205,572 S *	8/1966	Davies	.....	D1/102
D367,751 S *	3/1996	Kellogg	.....	D1/102
D406,167 S *	2/1999	Wolff	.....	D19/65
D406,185 S *	3/1999	Seidl	.....	D1/102
D442,349 S *	5/2001	Habib	.....	D1/102
D498,896 S *	11/2004	Stoddart	.....	D1/101
D544,177 S *	6/2007	Beecham	.....	D1/102
D544,787 S *	6/2007	Dash	.....	D8/395
D704,541 S *	5/2014	Goodman	.....	D8/395
D706,616 S *	6/2014	Katz	.....	D8/394
D707,546 S *	6/2014	Katz	.....	D8/394
D714,681 S *	10/2014	Katz	.....	D11/215
D752,966 S *	4/2016	Katz	.....	D8/395
D752,967 S *	4/2016	Katz	.....	D8/395

D780,434 S *	3/2017	Daniels	.....	D2/976
D832,093 S *	10/2018	Ksiazek	.....	D8/395
D832,693 S *	11/2018	Ksiazek	.....	D8/395
D837,641 S *	1/2019	Ksiazek	.....	D8/395
D837,642 S *	1/2019	Ksiazek	.....	D8/395
D873,126 S *	1/2020	Tang	.....	D8/395
D924,674 S *	7/2021	Mangano	.....	D8/395
D927,855 S *	8/2021	Marrelli	.....	D4/116

(Continued)

**OTHER PUBLICATIONS**

“Whimsy Kei Popsicle Clips 2”, Feb. 5, 2019, Facebook.com, site visited Sep. 20, 2021: <https://www.facebook.com/whimsykei> (Year: 2019).\*

(Continued)

*Primary Examiner* — Jack Reickel  
*Assistant Examiner* — Michael A Kervin  
(74) *Attorney, Agent, or Firm* — Thompson Coburn LLP

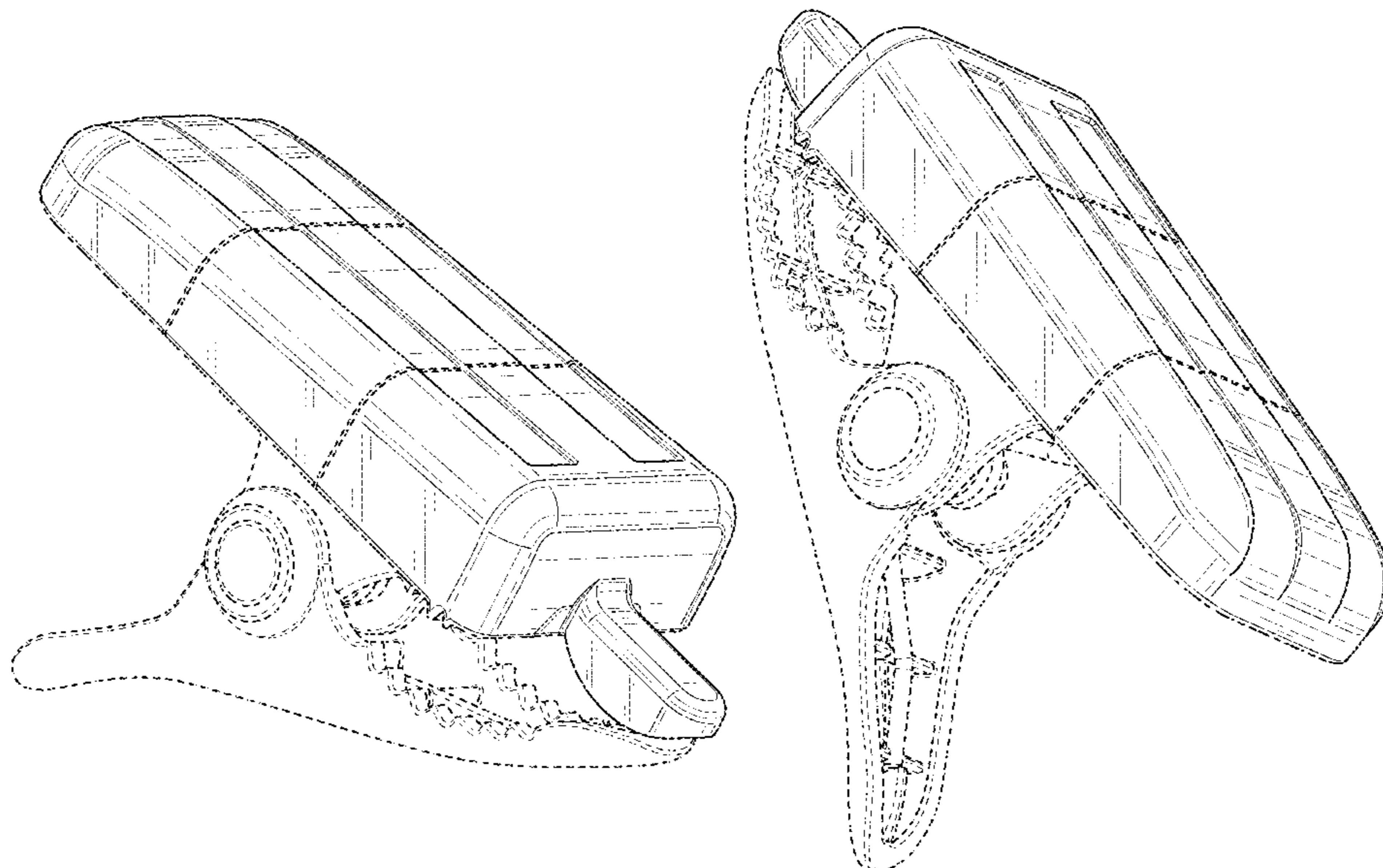
(57) **CLAIM**

The ornamental design for a clip, as shown and described.

**DESCRIPTION**

FIG. 1 is a first perspective view of the clip showing my new design;  
FIG. 2 is a rear view thereof;  
FIG. 3 is a front view thereof;  
FIG. 4 is a right side view thereof;  
FIG. 5 is a left side view thereof;  
FIG. 6 is a top view thereof;  
FIG. 7 is a bottom view thereof; and,  
FIG. 8 is a second perspective view thereof.  
The dash-dot-dash broken lines immediately adjacent the shaded areas represent the bounds of the claimed design while all other broken lines are directed to environment. The broken lines form no part of the claimed design.

**1 Claim, 8 Drawing Sheets**



(56)

**References Cited**

U.S. PATENT DOCUMENTS

2009/0011106 A1\* 1/2009 Givati ..... A23G 9/503  
426/565

OTHER PUBLICATIONS

“Whimsy Kei Popsicle Clips!”, Aug. 3, 2018, Facebook.com, site visited Sep. 20, 2021: <https://www.facebook.com/whimsykei> (Year: 2018).\*

“DIY Rainbow Popsicle Soap”, Jun. 12, 2015, YouTube.com, site visited Sep. 20, 2021: <https://www.youtube.com/watch?v=zymMiwUtbqE> (Year: 2015).\*

“Smart Design Plastic Clothespins”, May 11, 2012, Amazon.com, site visited Sep. 20, 2021: <https://www.amazon.com/Smart-Design-Plastic-Clothespins-Organization/dp/B00827L0MU> (Year: 2012).\*

\* cited by examiner

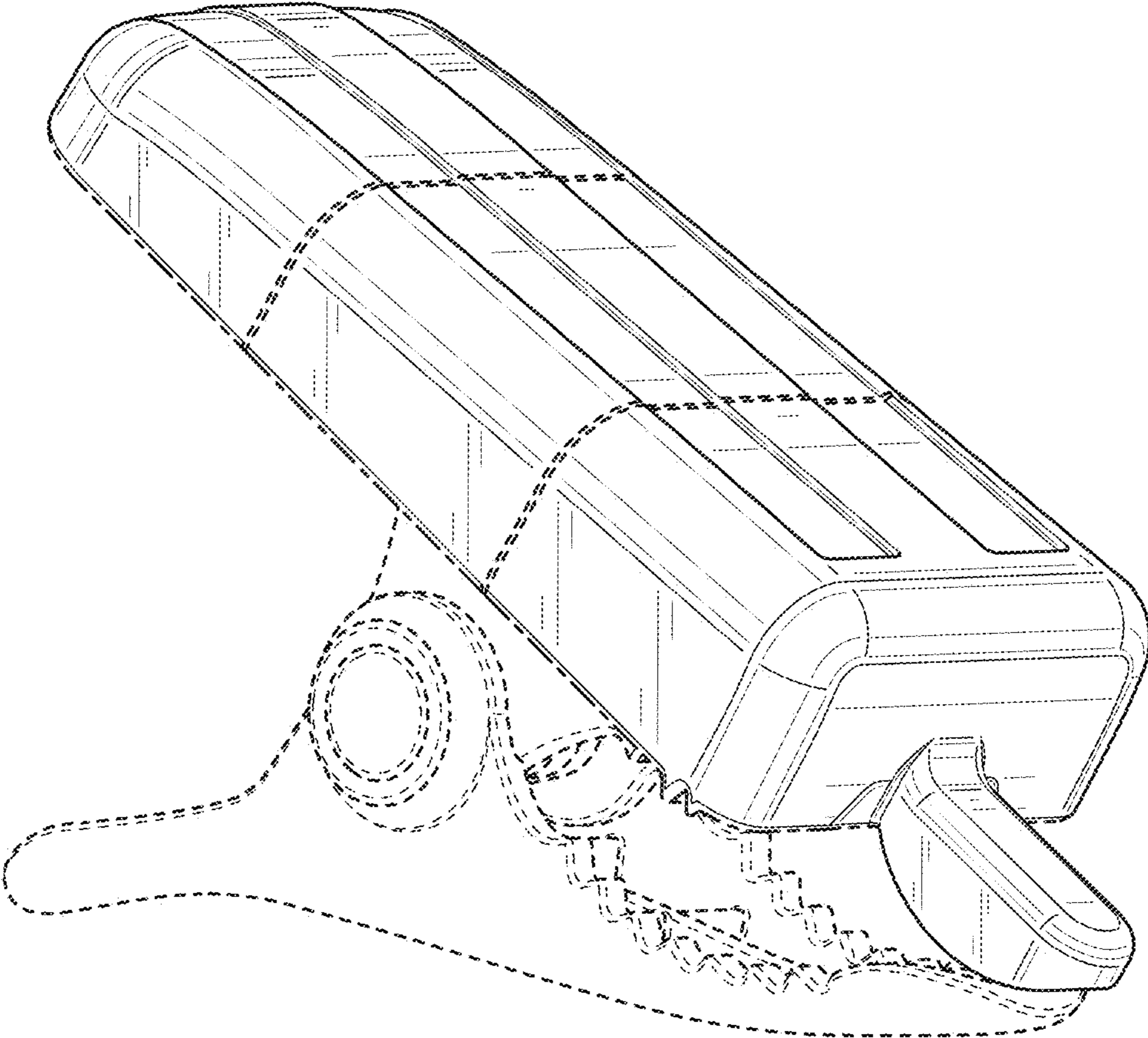


FIG. 1

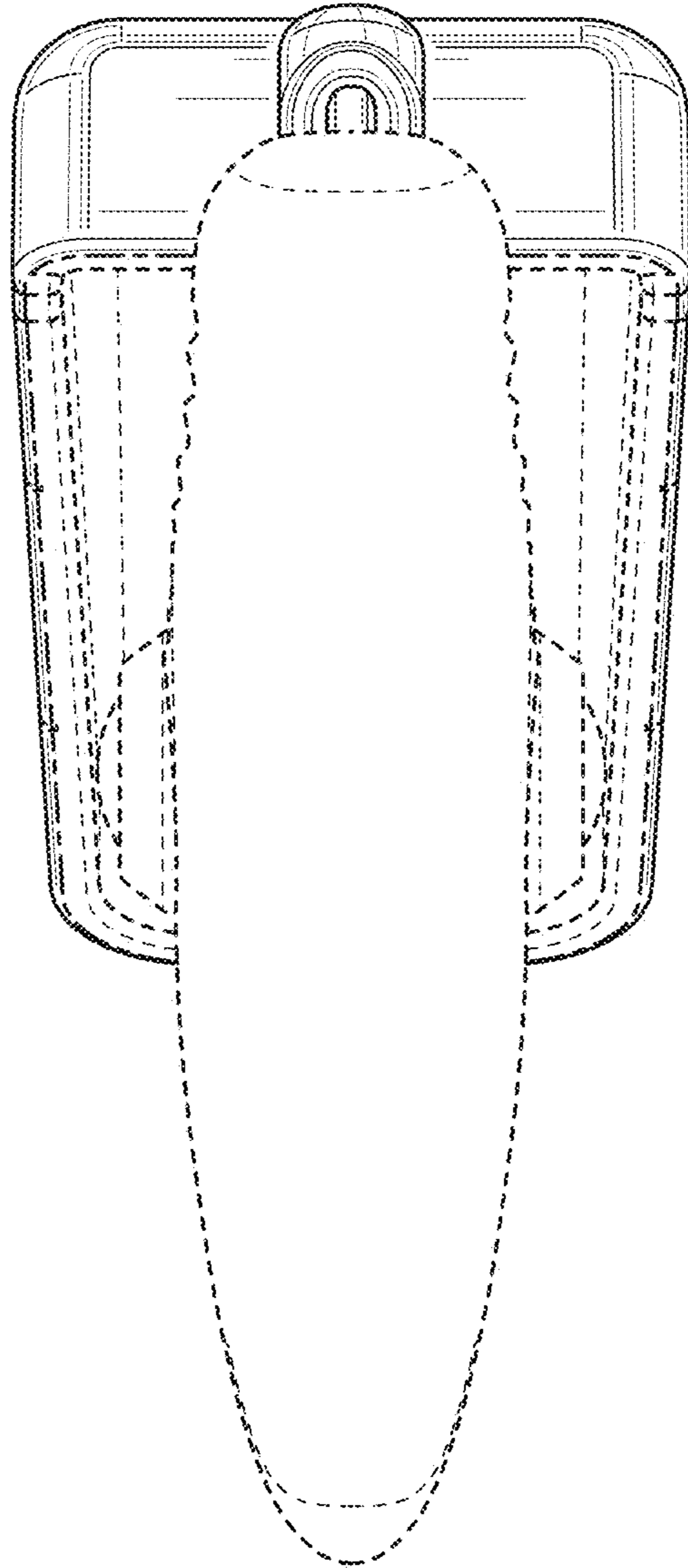


FIG. 2

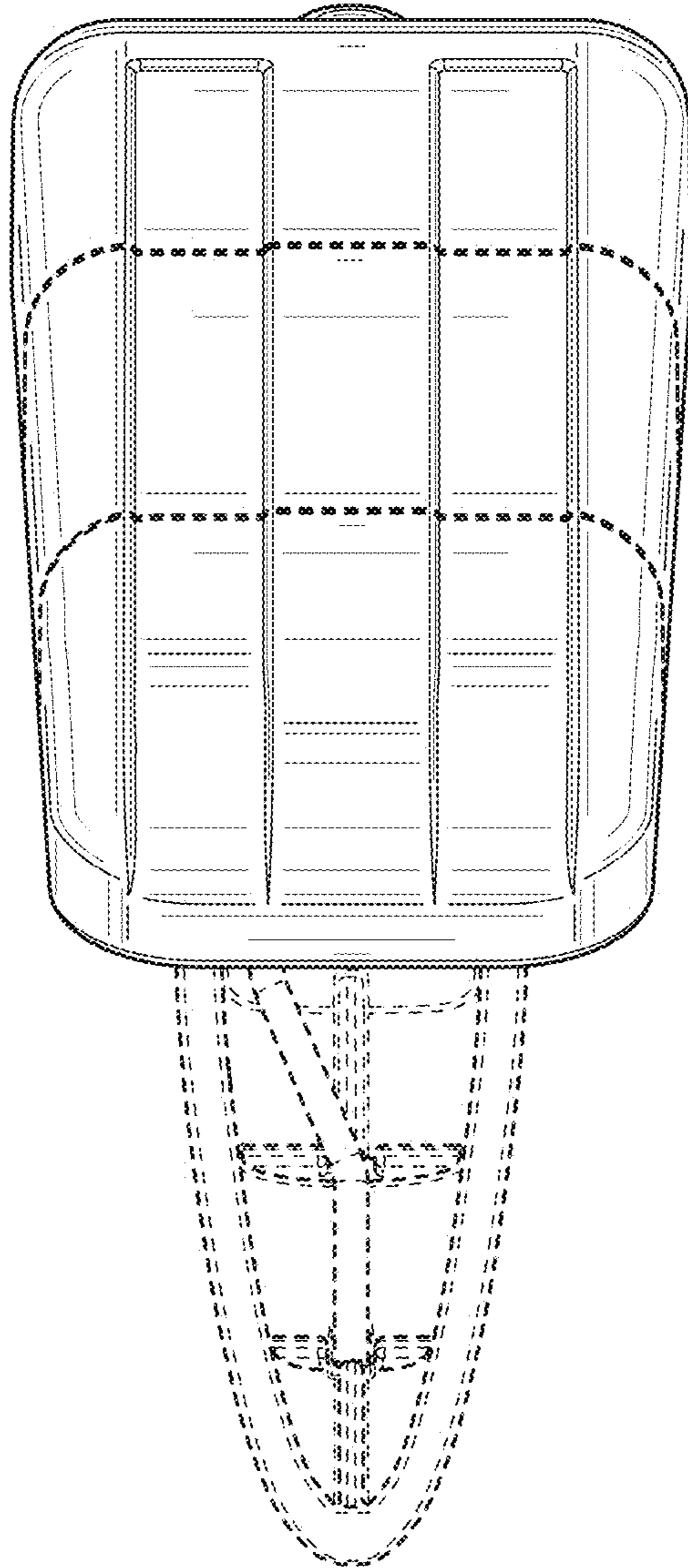


FIG. 3

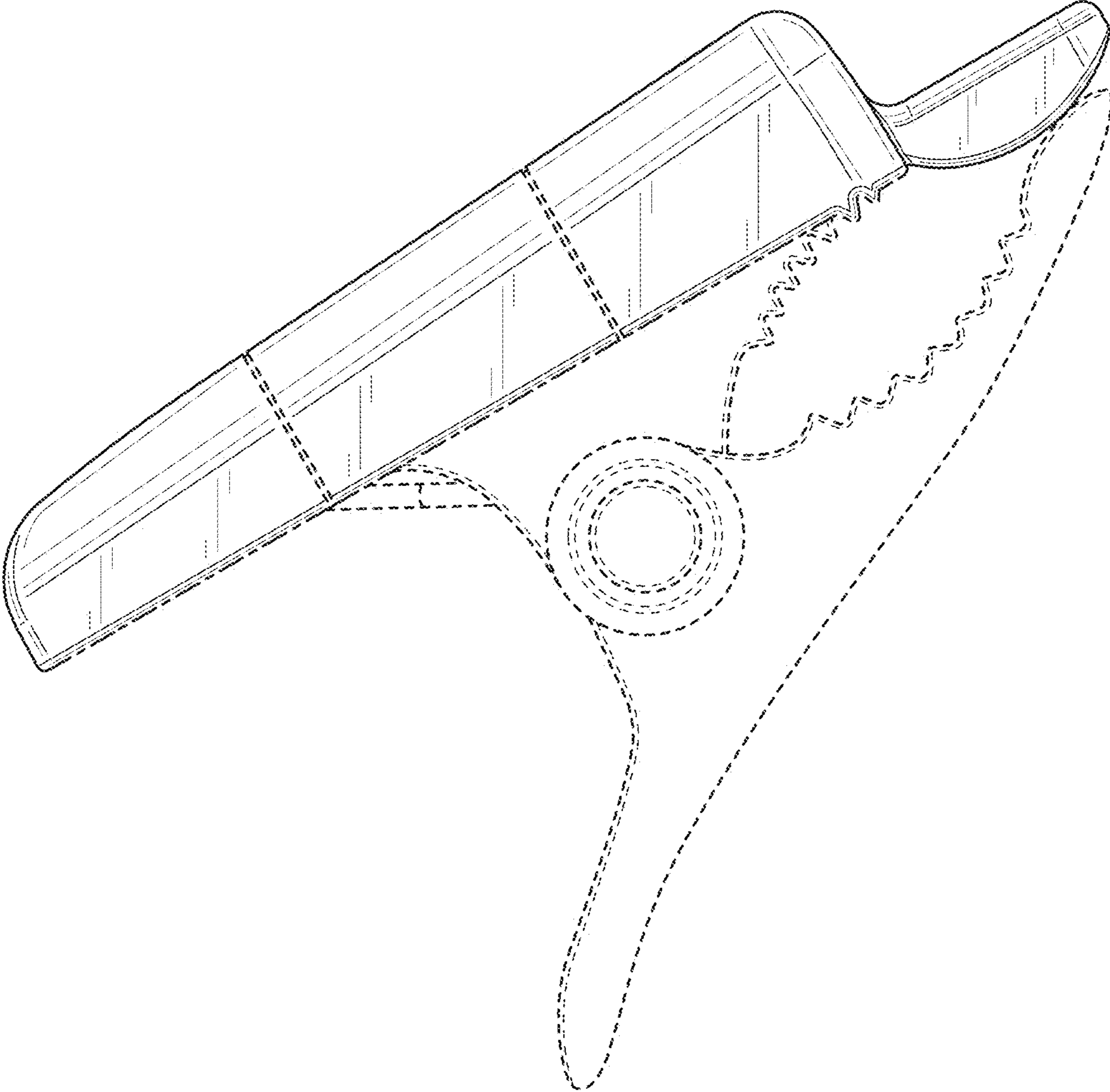


FIG. 4

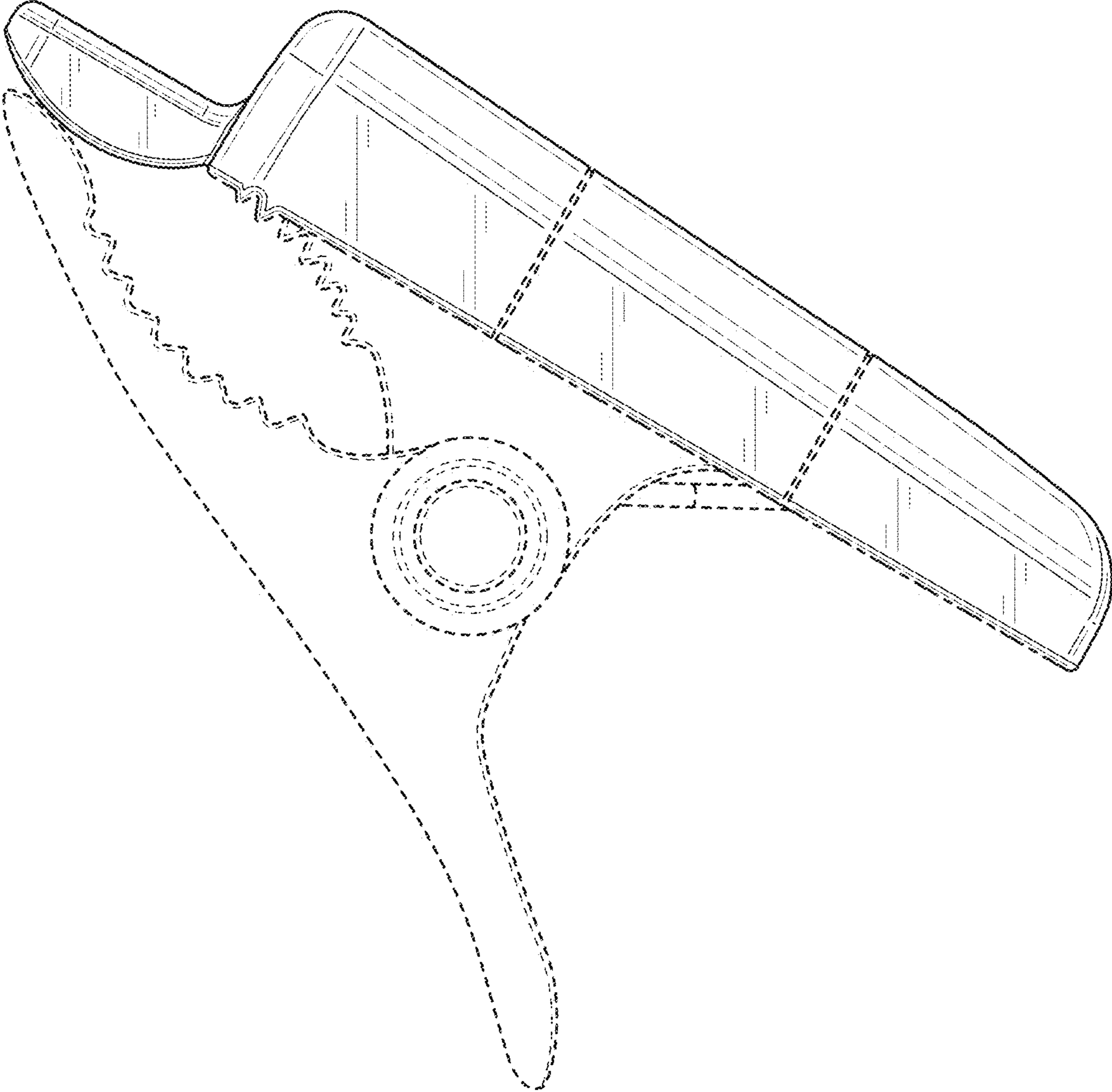


FIG. 5

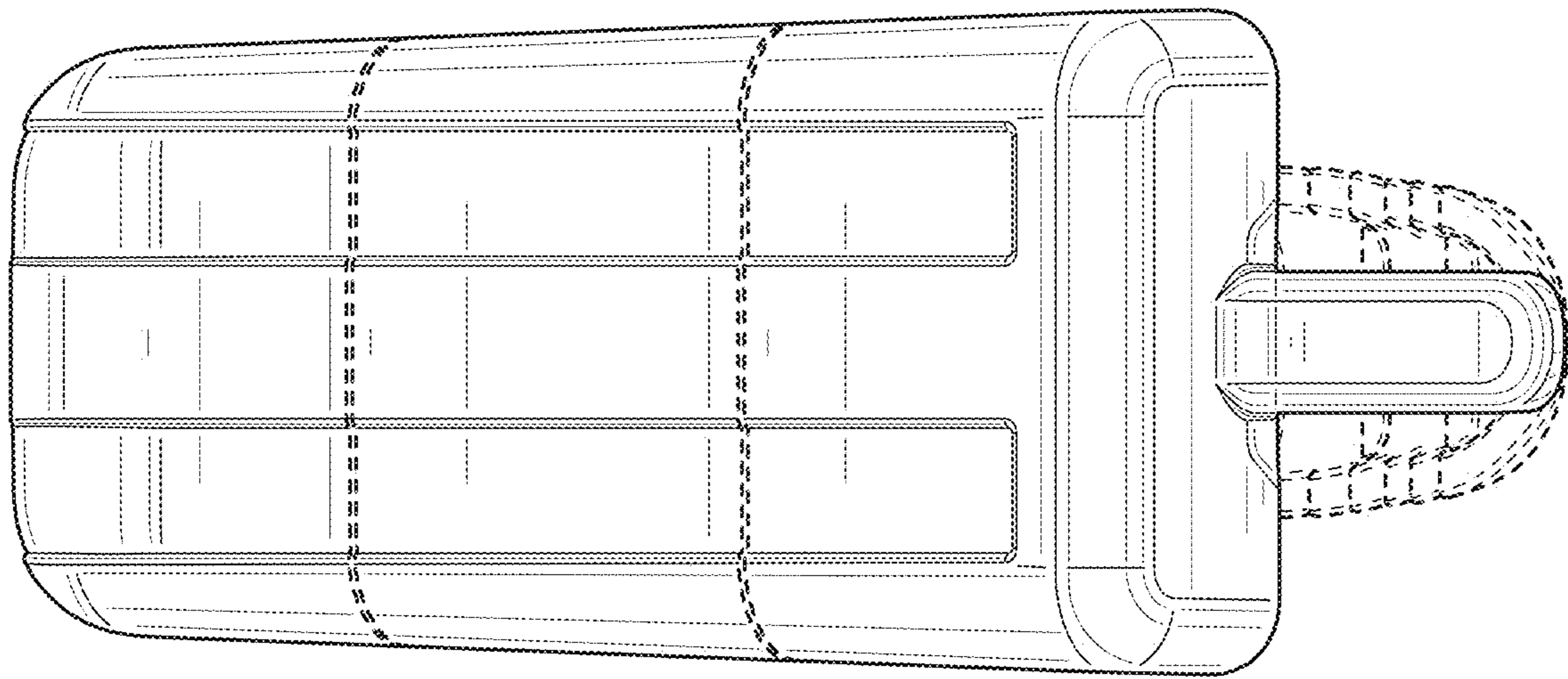


FIG. 6



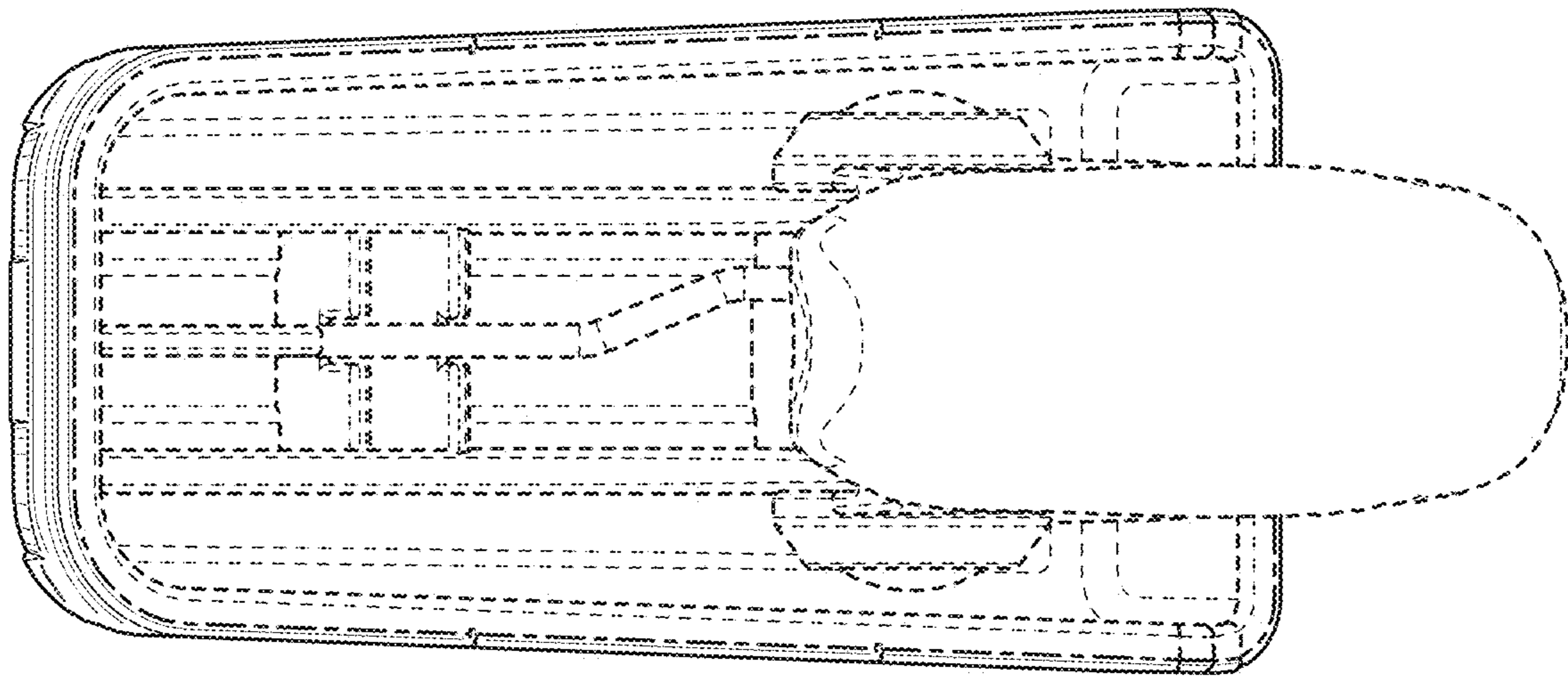


FIG. 7

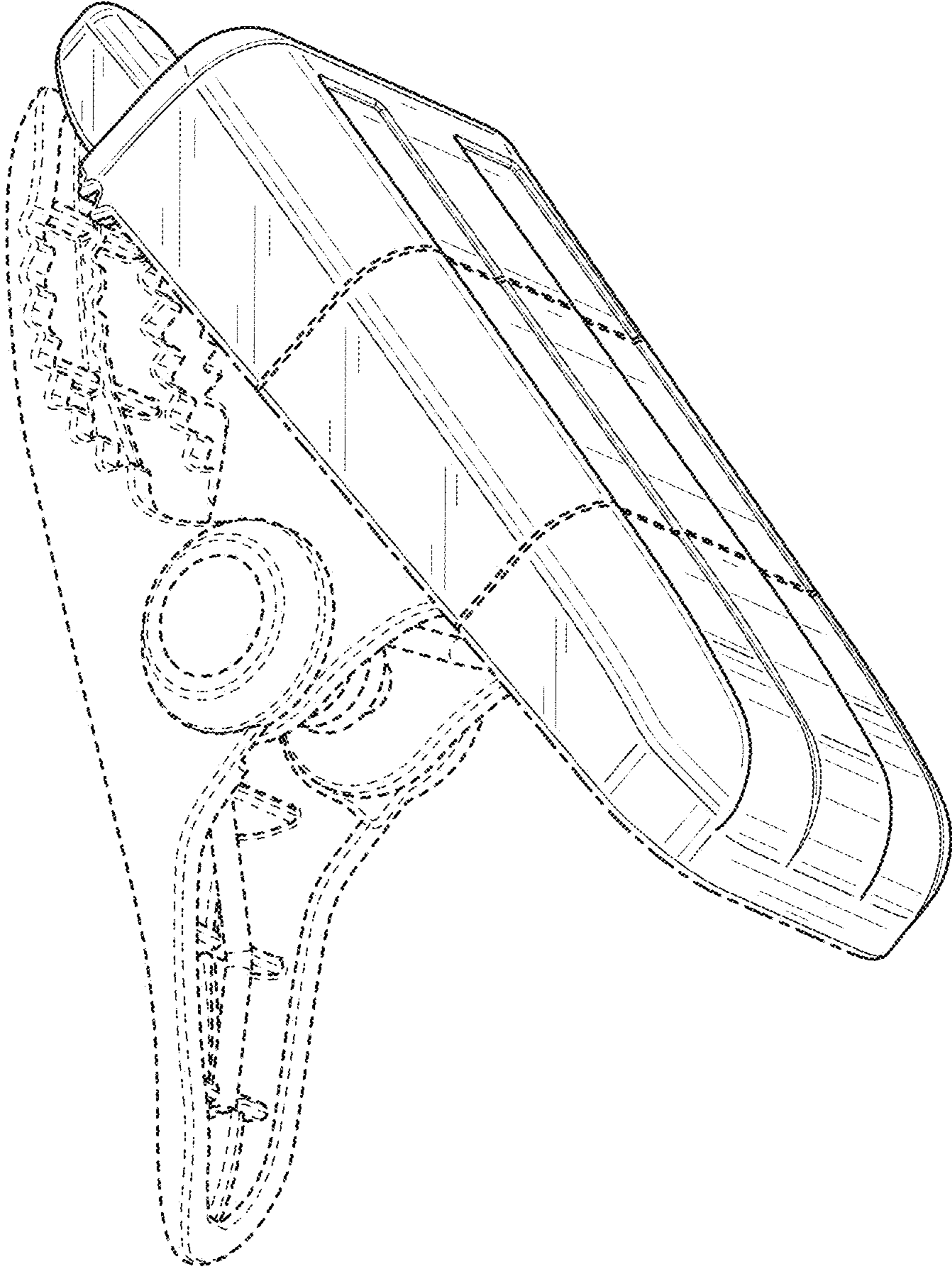


FIG. 8