



US00D942253S

(12) **United States Design Patent** (10) **Patent No.:** **US D942,253 S**  
**Wedding et al.** (45) **Date of Patent:** **\*\* Feb. 1, 2022**

(54) **CABLE HANGER**  
(71) Applicant: **Cambria County Association for the Blind & Handicapped**, Johnstown, PA (US)  
(72) Inventors: **Timothy Joseph Wedding**, Johnstown, PA (US); **Paul Edward Martin**, Johnstown, PA (US)  
(73) Assignee: **Cambria County Association for the Blind and Handicapped**, Johnstown, PA (US)

2,235,685 A \* 3/1941 Klein ..... H02G 7/10 248/61  
D465,997 S \* 11/2002 Kalat ..... D8/370  
D528,900 S \* 9/2006 Thompson ..... D8/370  
D712,240 S \* 9/2014 Bracegirdle ..... D8/384  
D874,906 S \* 2/2020 Ruddick ..... D8/356  
D919,417 S \* 5/2021 Wedding ..... D8/367  
D919,418 S \* 5/2021 Wedding ..... D8/367  
D922,182 S \* 6/2021 Wedding ..... D8/367

\* cited by examiner

*Primary Examiner* — Rachel A. Voorhies  
*Assistant Examiner* — Benjamin D. Wannemacher  
(74) *Attorney, Agent, or Firm* — Eckert Seamans Cherin & Mellott, LLC

(\*\*) Term: **15 Years**

(21) Appl. No.: **29/717,788**

(22) Filed: **Dec. 19, 2019**

(51) **LOC (13) Cl.** ..... **08-05**

(52) **U.S. Cl.**  
USPC ..... **D8/370**

(58) **Field of Classification Search**  
USPC ..... D8/372, 373, 367, 368, 369; D6/315, D6/317, 319, 320, 323, 325, 326, 327, D6/328

CPC ... A47F 7/19; A47F 13/085; A47G 2025/448; A47G 25/005; A47G 25/14; A47G 25/16; A47G 25/25; A47G 25/26; A47G 25/32; A47G 25/40; A47G 25/1442

See application file for complete search history.

(56) **References Cited**

U.S. PATENT DOCUMENTS

879,586 A \* 2/1908 Reynolds ..... H02G 7/10 248/61  
927,032 A \* 7/1909 Feiock ..... H02G 7/10 248/61

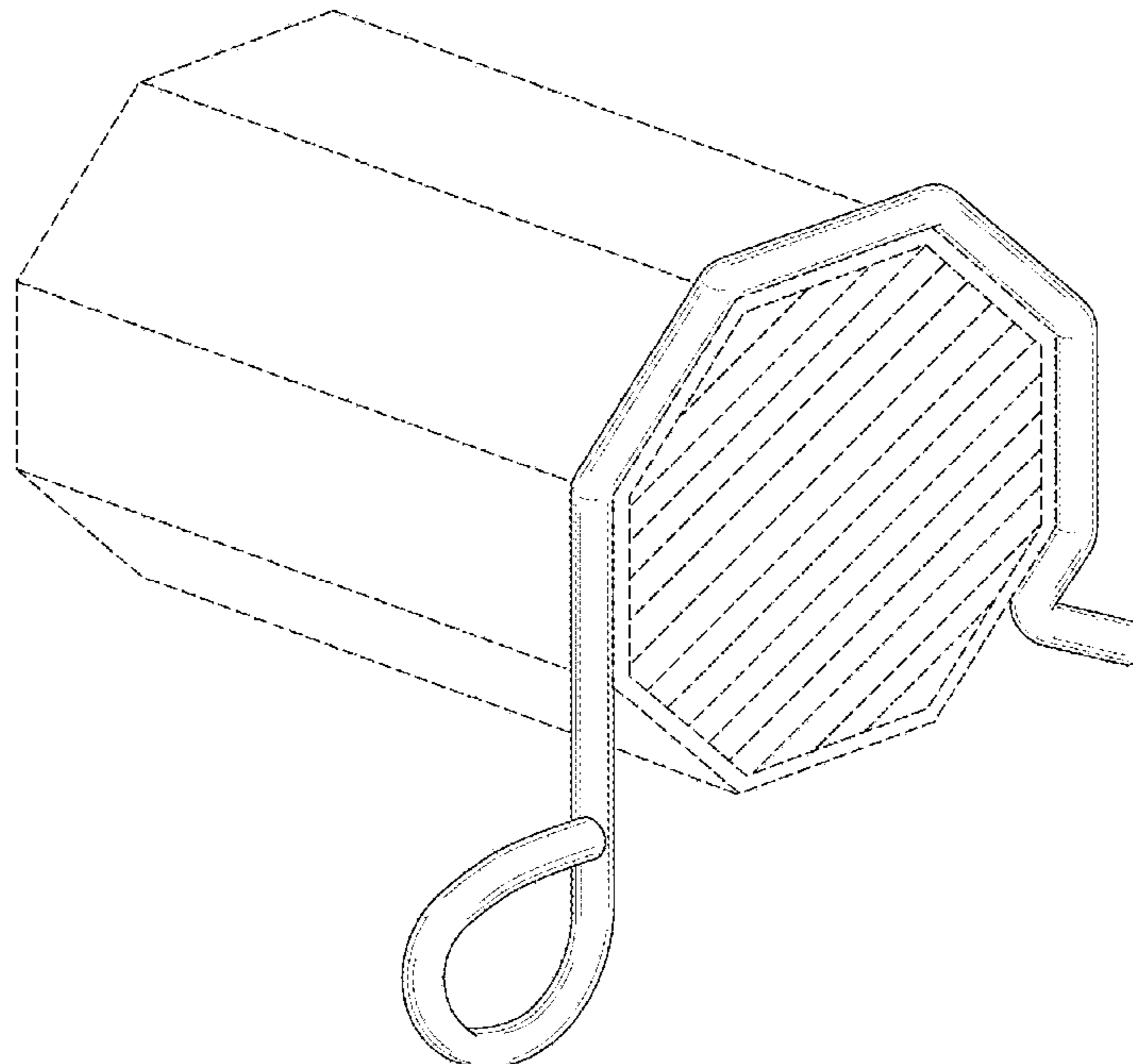
(57) **CLAIM**

The ornamental design for a cable hanger, as shown and described.

**DESCRIPTION**

FIG. 1 is an first isometric view of the cable hanger; FIG. 2 is a second isometric view of the cable hanger; FIG. 3 is a top view of the cable hanger; FIG. 4 is a bottom view of the cable hanger; FIG. 5 is a left view of the cable hanger; FIG. 6 is a right view of the cable hanger; FIG. 7 is a back view of the cable hanger; and, FIG. 8 is a front view of the cable hanger. The broken lines in the drawings depict environmental subject matter only and form no part of the claimed design.

**1 Claim, 6 Drawing Sheets**



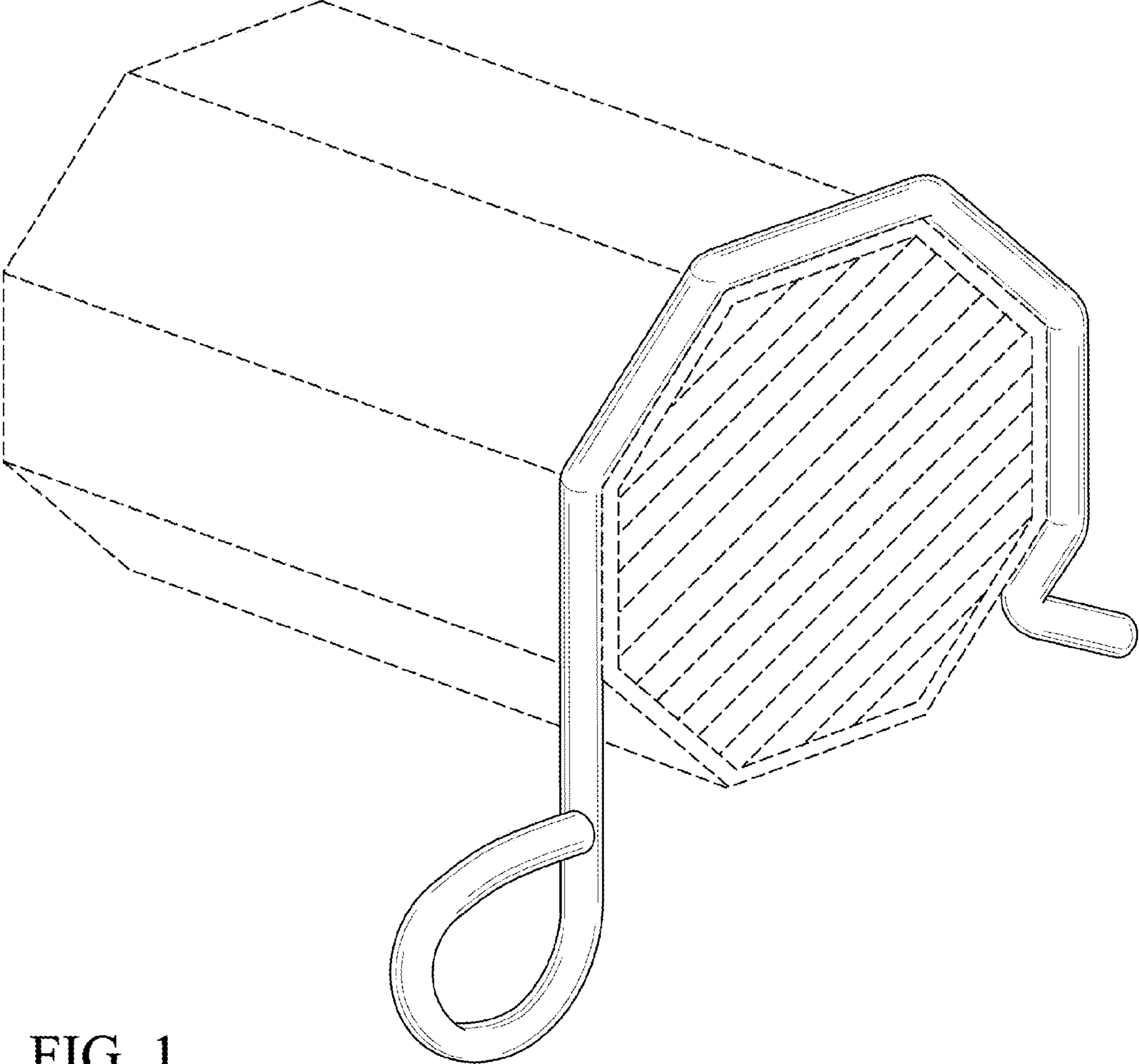


FIG. 1

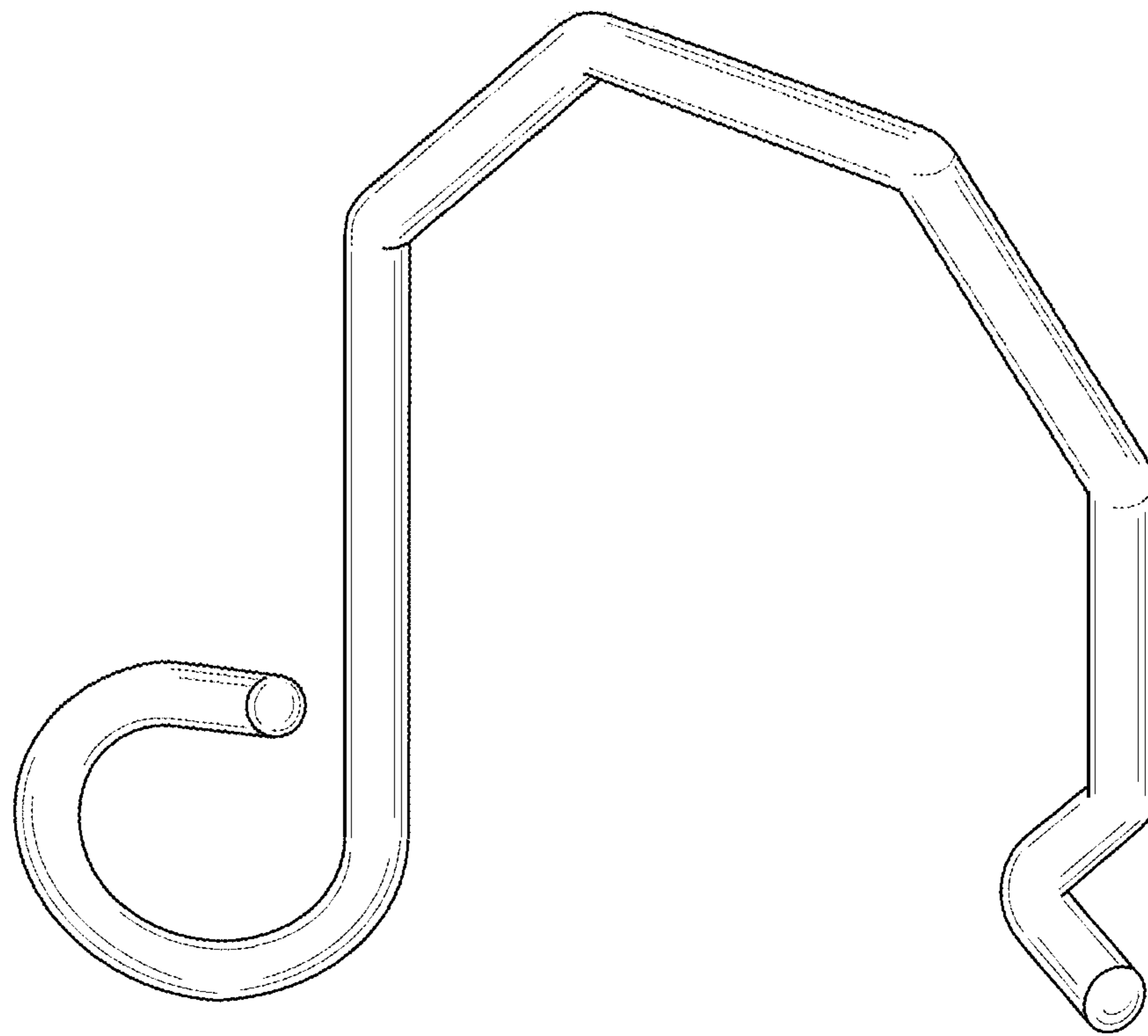


FIG. 2

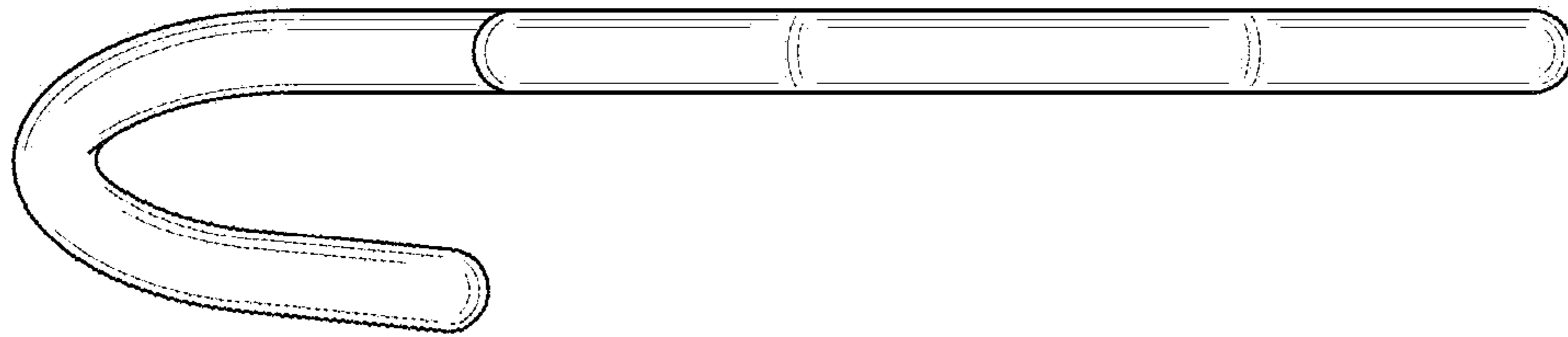


FIG. 3



FIG. 4

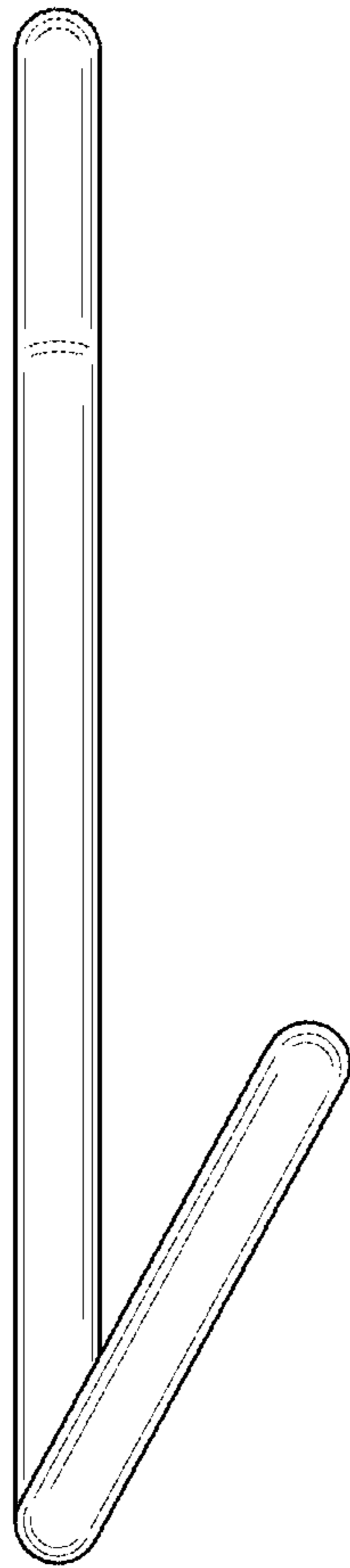


FIG. 5

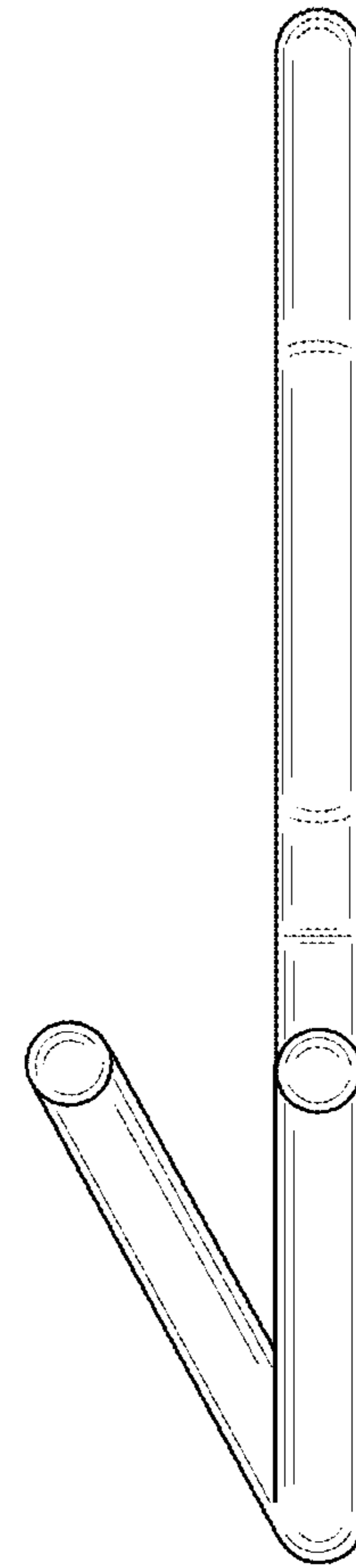


FIG. 6

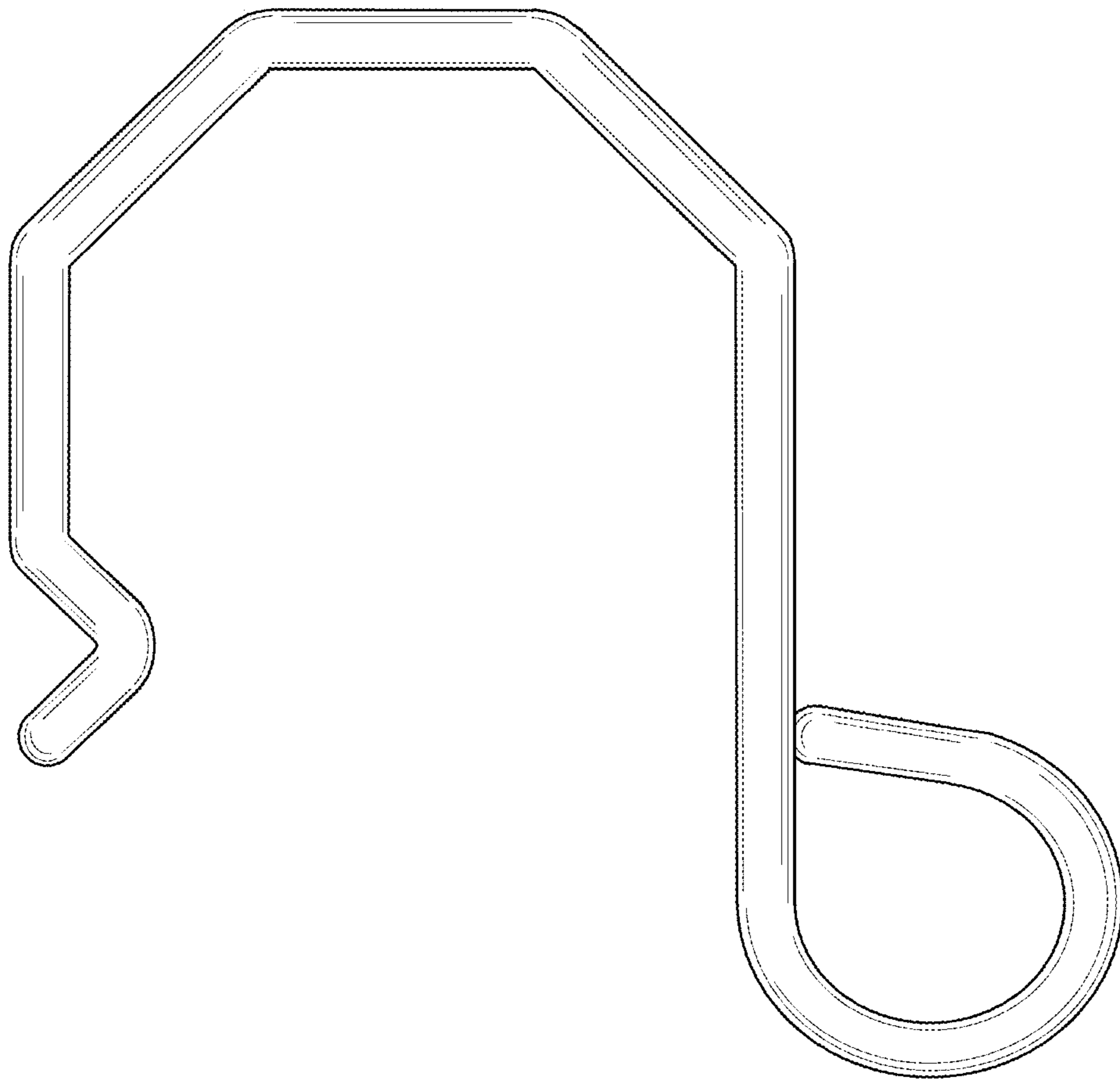


FIG. 7

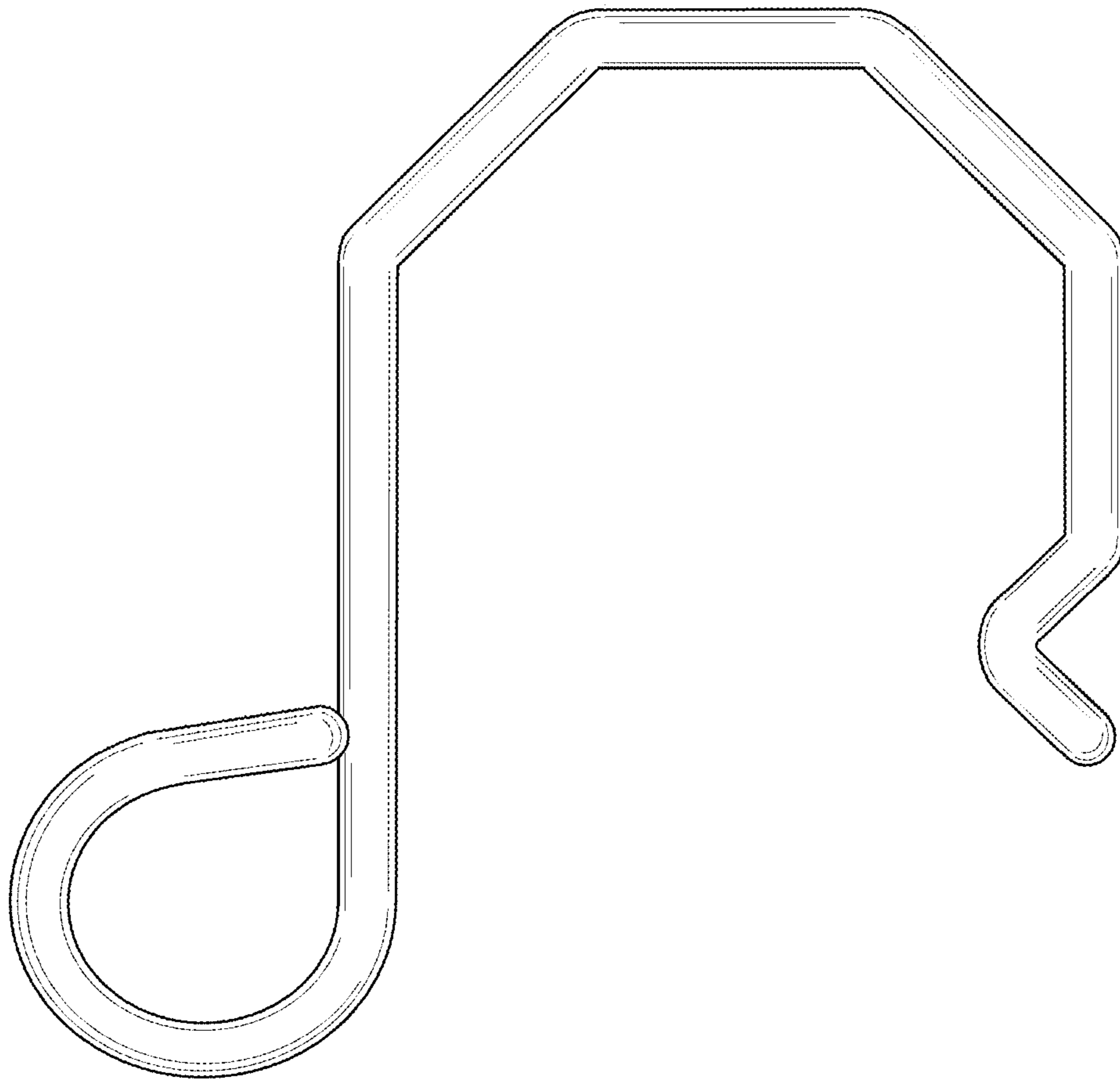


FIG. 8