



US00D942249S

(12) **United States Design Patent**  
**Laaksonen et al.**

(10) **Patent No.:** **US D942,249 S**

(45) **Date of Patent:** **\*\* \*Feb. 1, 2022**

(54) **FLANGE**

(71) Applicant: **Bayer Oy**, Turku (FI)

(72) Inventors: **Kimmo Laaksonen**, Turku (FI); **Jari Riski**, Parainen (FI); **Taina Tjader**, Piispanristi (FI)

(73) Assignee: **Bayer Oy**, Turku (FI)

(\*) Notice: This patent is subject to a terminal disclaimer.

(\*\*) Term: **15 Years**

(21) Appl. No.: **29/743,747**

(22) Filed: **Jul. 23, 2020**

(30) **Foreign Application Priority Data**

Jan. 24, 2020 (EM) ..... 007549993

(51) **LOC (13) Cl.** ..... **08-05**

(52) **U.S. Cl.**  
USPC ..... **D8/354**

(58) **Field of Classification Search**  
USPC ..... D8/354, 72, 349, 356, 360.1, 394, 396, D8/499; D24/127, 128, 148, 153, 229, D24/231  
CPC ..... F16C 1/26; B66B 7/02; B65G 21/20  
See application file for complete search history.

(56) **References Cited**

**U.S. PATENT DOCUMENTS**

- 4,317,262 A \* 3/1982 Wells, Jr. .... F16L 3/12  
24/16 PB
- 4,589,626 A \* 5/1986 Kurtz ..... A61M 39/288  
251/10
- D298,216 S \* 10/1988 Eisenberg ..... D24/129
- 4,955,574 A \* 9/1990 Freier ..... F16L 3/1203  
248/316.5
- D427,307 S \* 6/2000 Guala ..... D24/129

- D428,330 S \* 7/2000 Johnston ..... D8/395
- D431,650 S \* 10/2000 Guala ..... D24/129
- 6,220,554 B1 \* 4/2001 Daoud ..... F16L 3/12  
24/16 PB
- D484,400 S \* 12/2003 Blake ..... D8/356
- 6,935,599 B2 \* 8/2005 van Walraven ..... B29C 45/00  
248/74.1
- D521,366 S \* 5/2006 Polak ..... D8/383
- D580,748 S \* 11/2008 Polak ..... D8/394
- D637,712 S \* 5/2011 Chau ..... D24/129
- D676,314 S \* 2/2013 Cude ..... D8/396
- D761,643 S \* 7/2016 Papafagos ..... D8/396
- D809,370 S \* 2/2018 Tang ..... D8/356
- D810,555 S \* 2/2018 O'Brien ..... D8/394
- D871,309 S \* 12/2019 Adler ..... D12/408

(Continued)

*Primary Examiner* — Keli L Hill

*Assistant Examiner* — Harold E Blackwell, II

(74) *Attorney, Agent, or Firm* — Lowenstein Sandler LLP

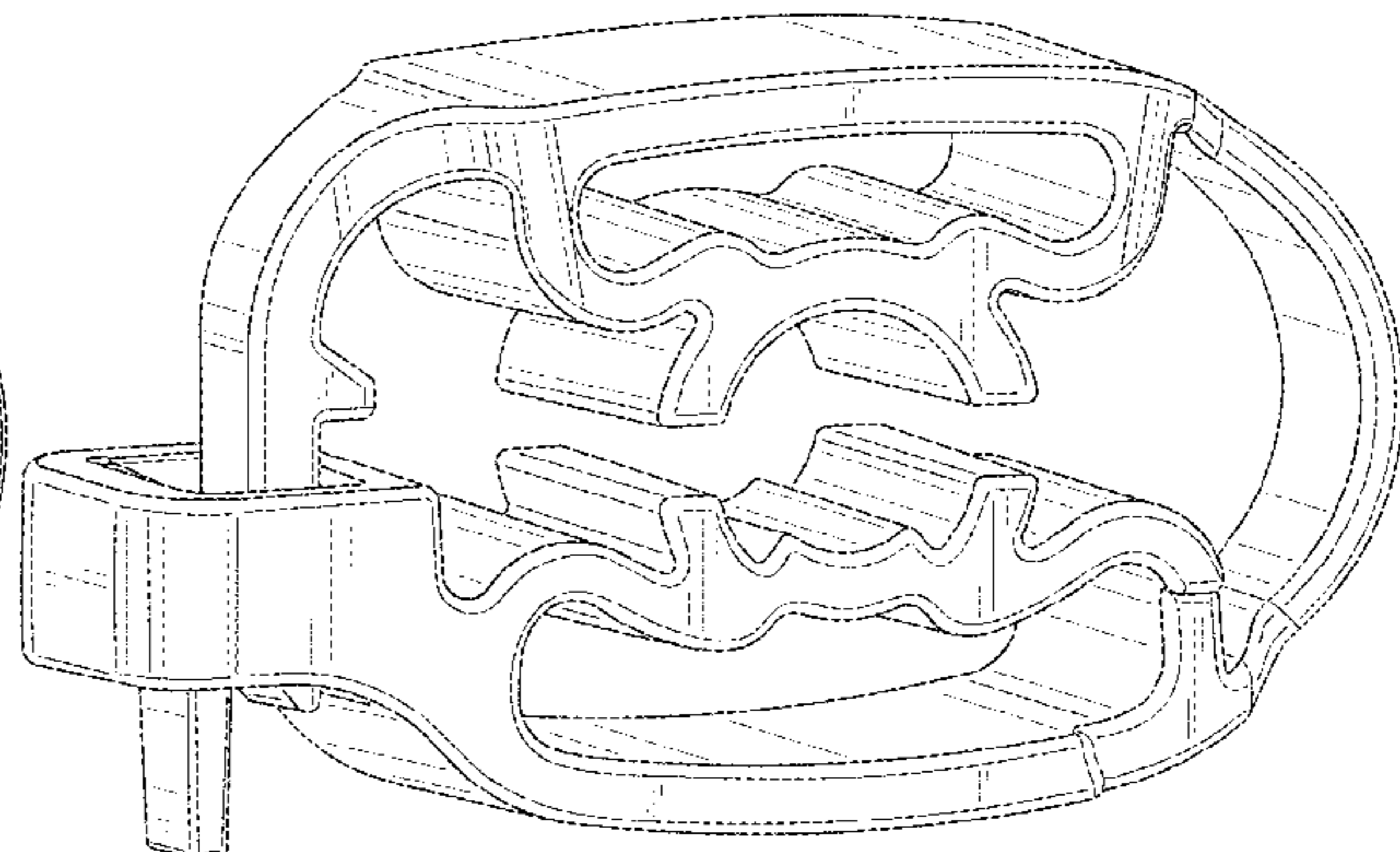
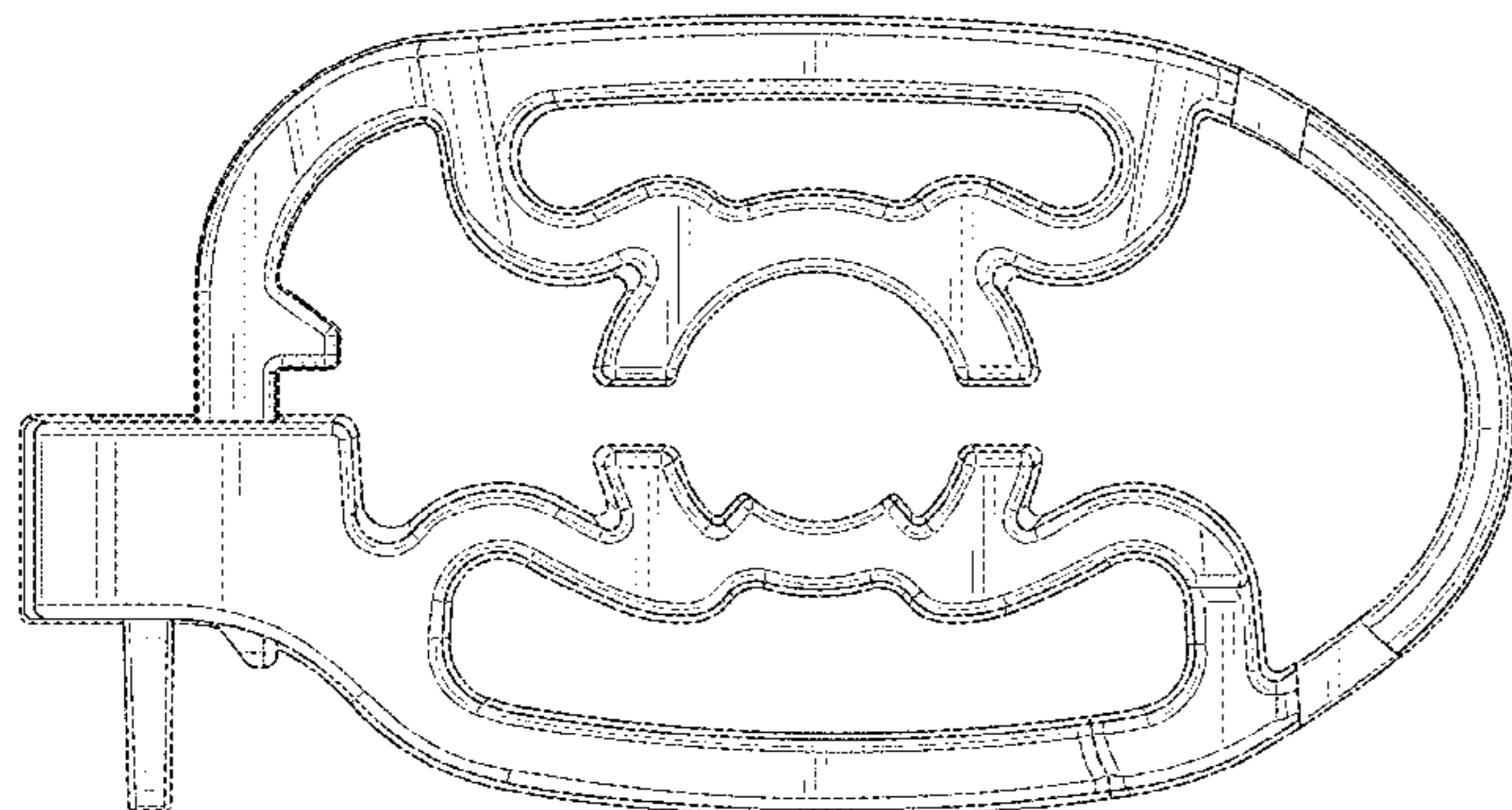
(57) **CLAIM**

The ornamental design for a flange, as shown and described.

**DESCRIPTION**

FIG. 1 is a front view of a flange showing our new design in accordance with an embodiment of the invention;  
 FIG. 2 is a rear view thereof;  
 FIG. 3 is a right side view thereof;  
 FIG. 4 is a left side view thereof;  
 FIG. 5 is a top view thereof;  
 FIG. 6 is a bottom view thereof;  
 FIG. 7 is a first perspective view thereof;  
 FIG. 8 is a second perspective view thereof affixed to an inserter; and,  
 FIG. 9 is a third perspective view thereof affixed to the inserter.  
 The inserter illustrated in FIG. 8 and FIG. 9 is shown in broken lines and forms no part of the claimed design.

**1 Claim, 7 Drawing Sheets**



(56)

**References Cited**

U.S. PATENT DOCUMENTS

D884,885 S *	5/2020	Hu	.....	D24/128
D908,871 S *	1/2021	Hu	.....	D24/128
D921,887 S *	6/2021	Hu	.....	D24/128
2011/0009717 A1 *	1/2011	Davis	.....	A61B 5/150389 600/309
2013/0193289 A1 *	8/2013	Goffman	.....	B62J 11/00 248/231.51
2015/0018783 A1 *	1/2015	Myers	.....	A61M 39/284 604/319

\* cited by examiner

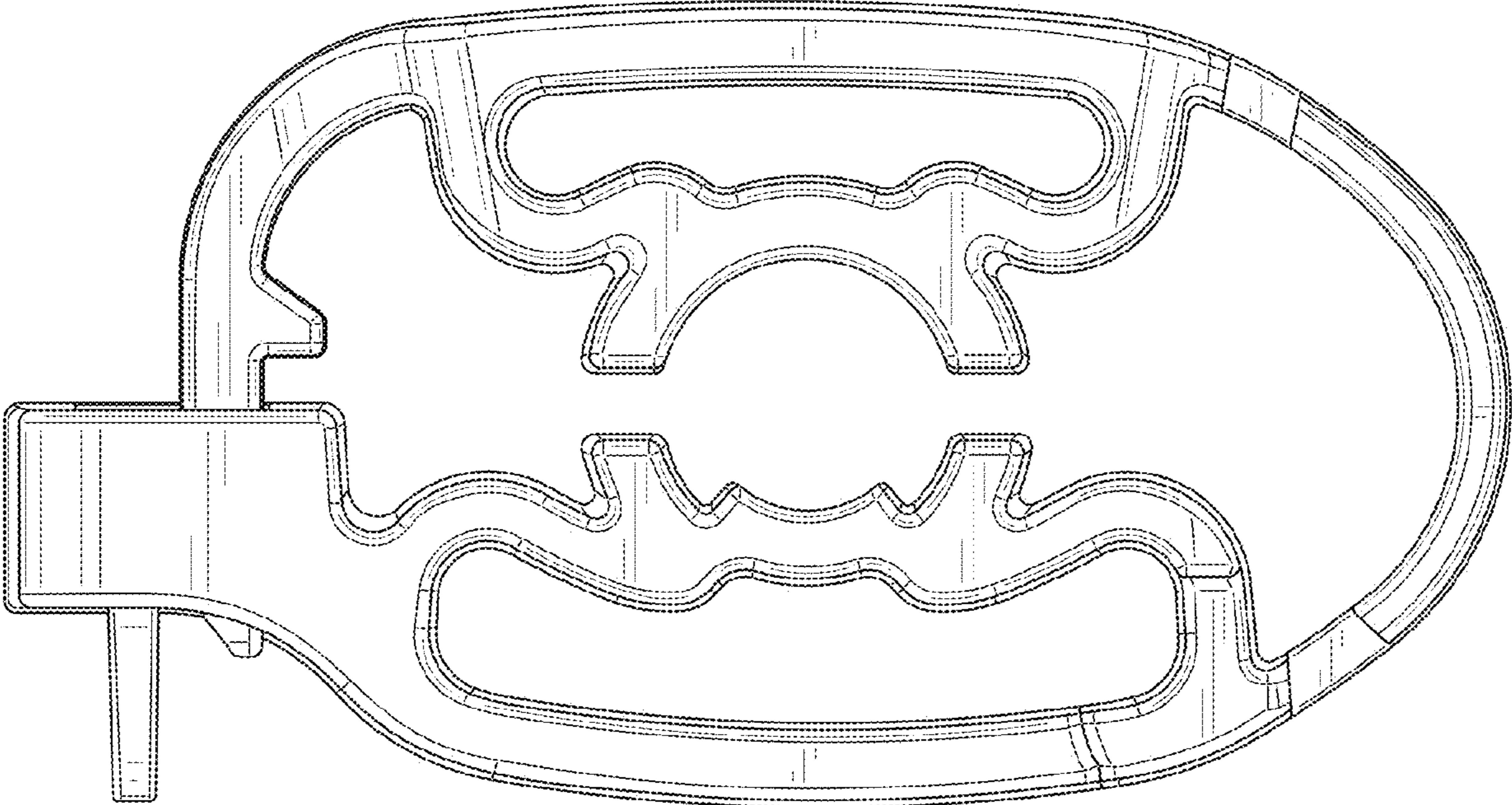


FIG. 1

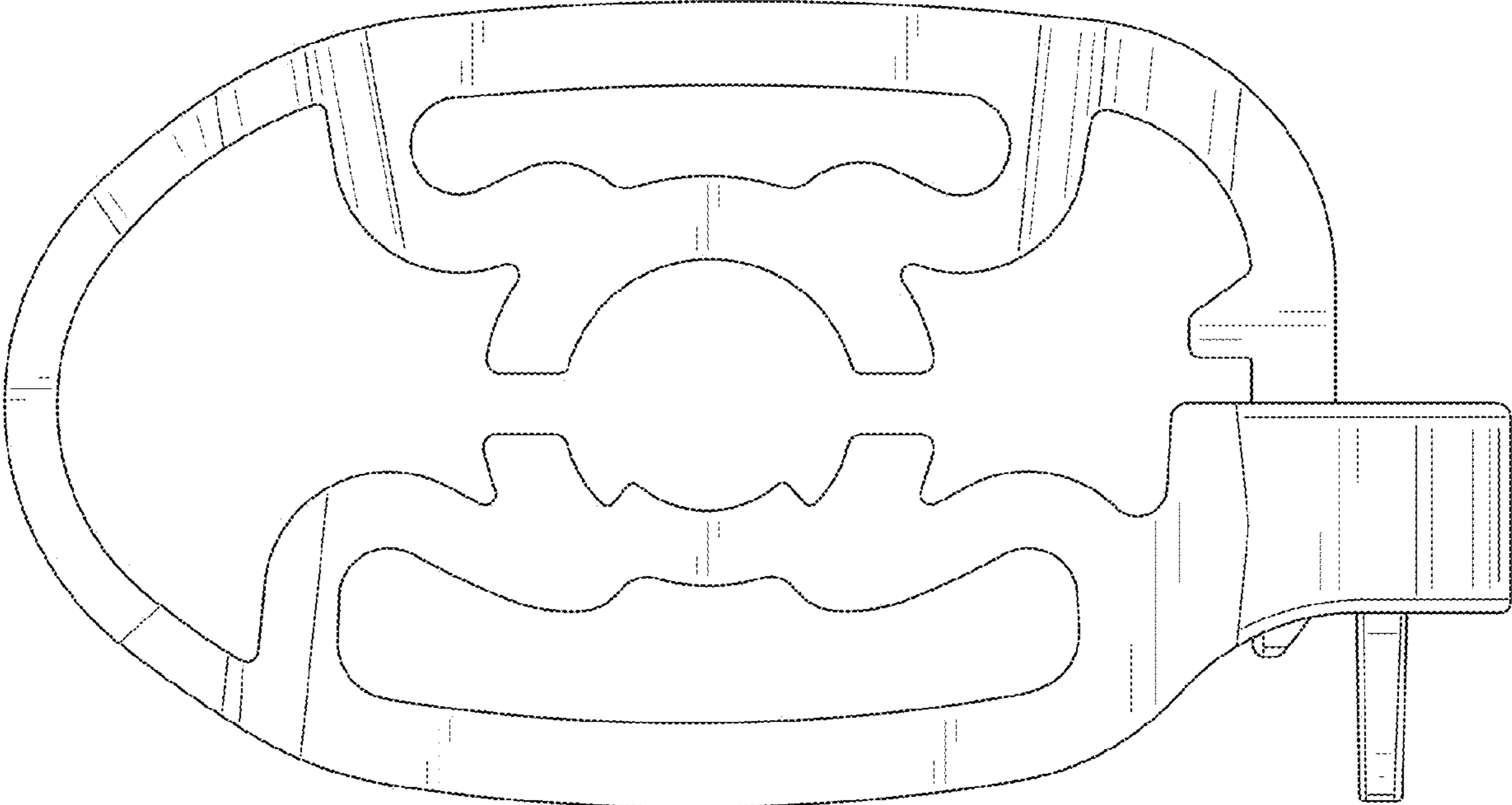


FIG. 2

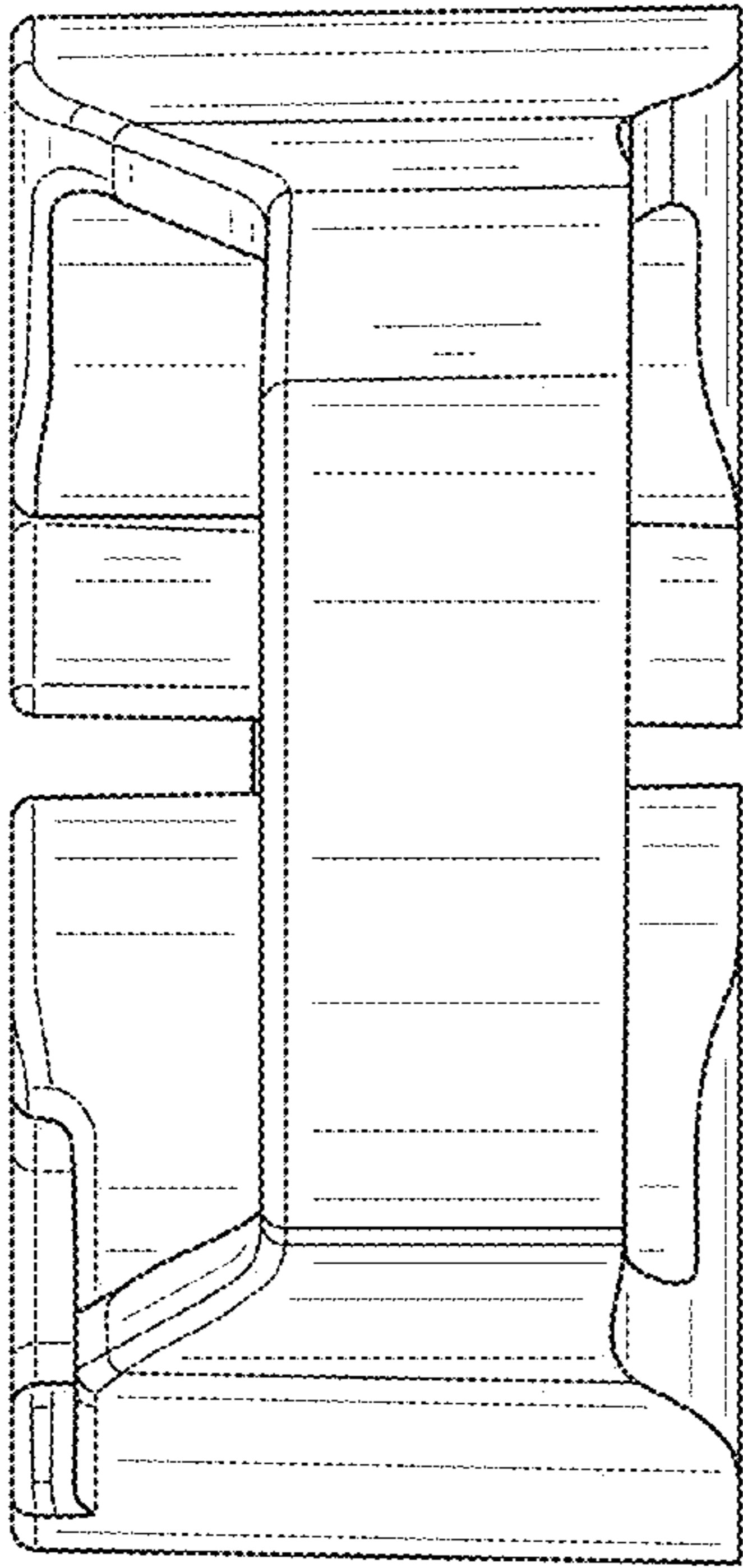


FIG. 3

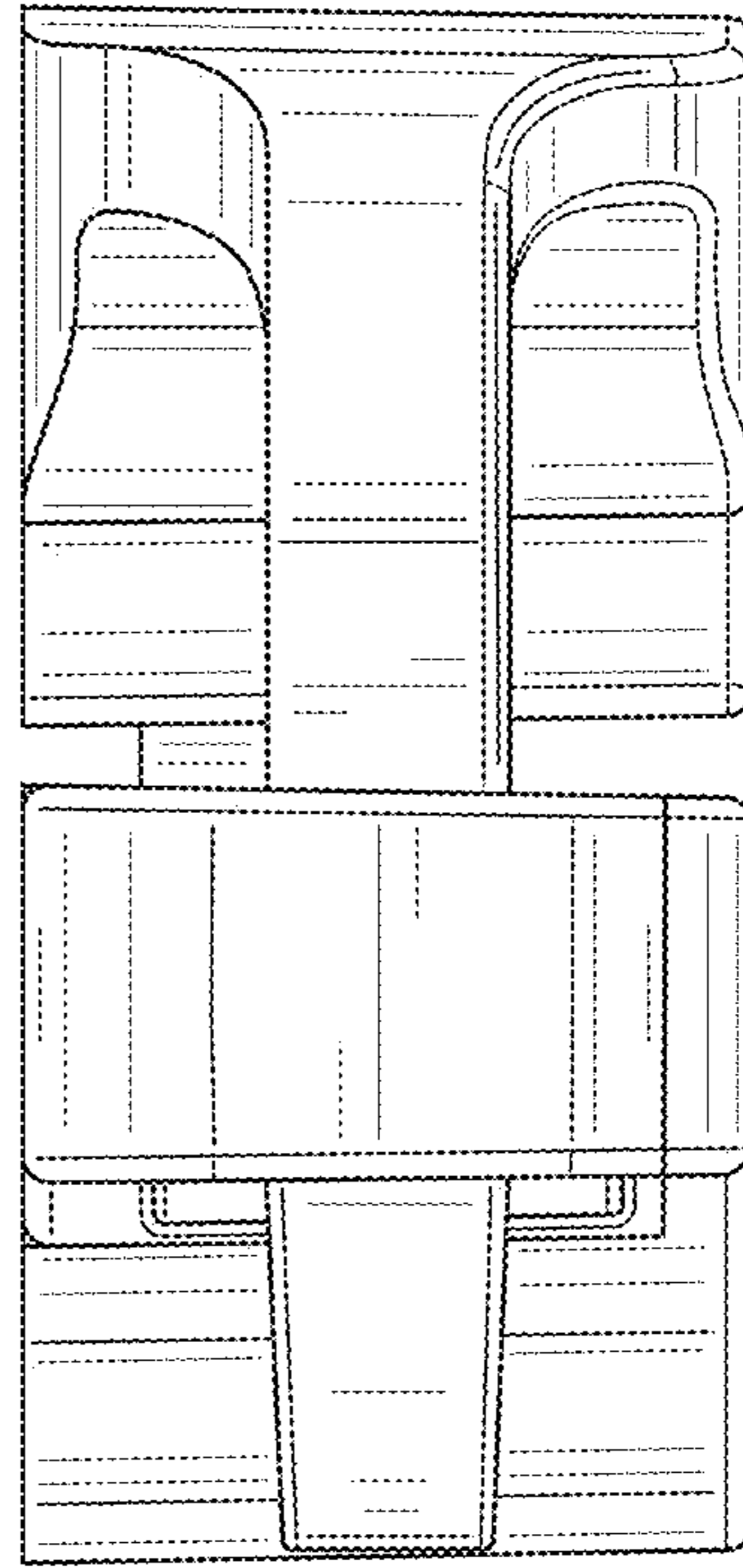


FIG. 4

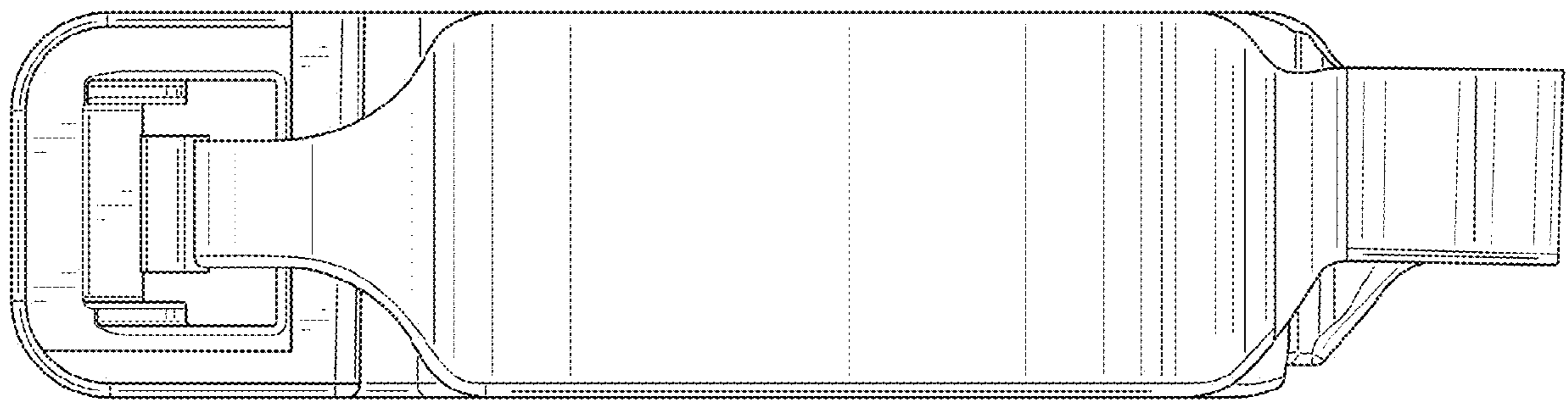


FIG. 5

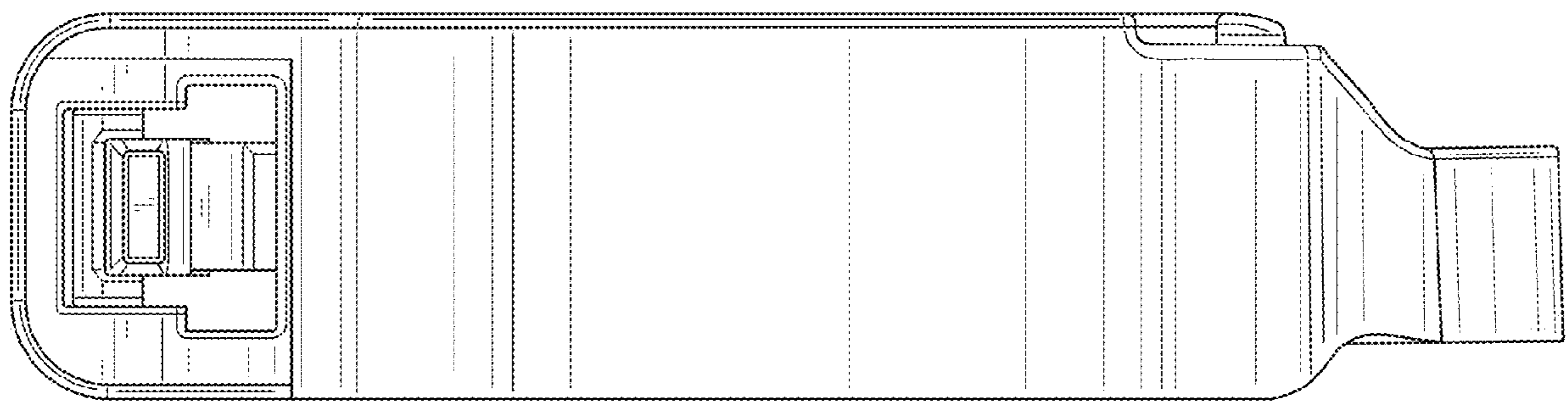


FIG. 6

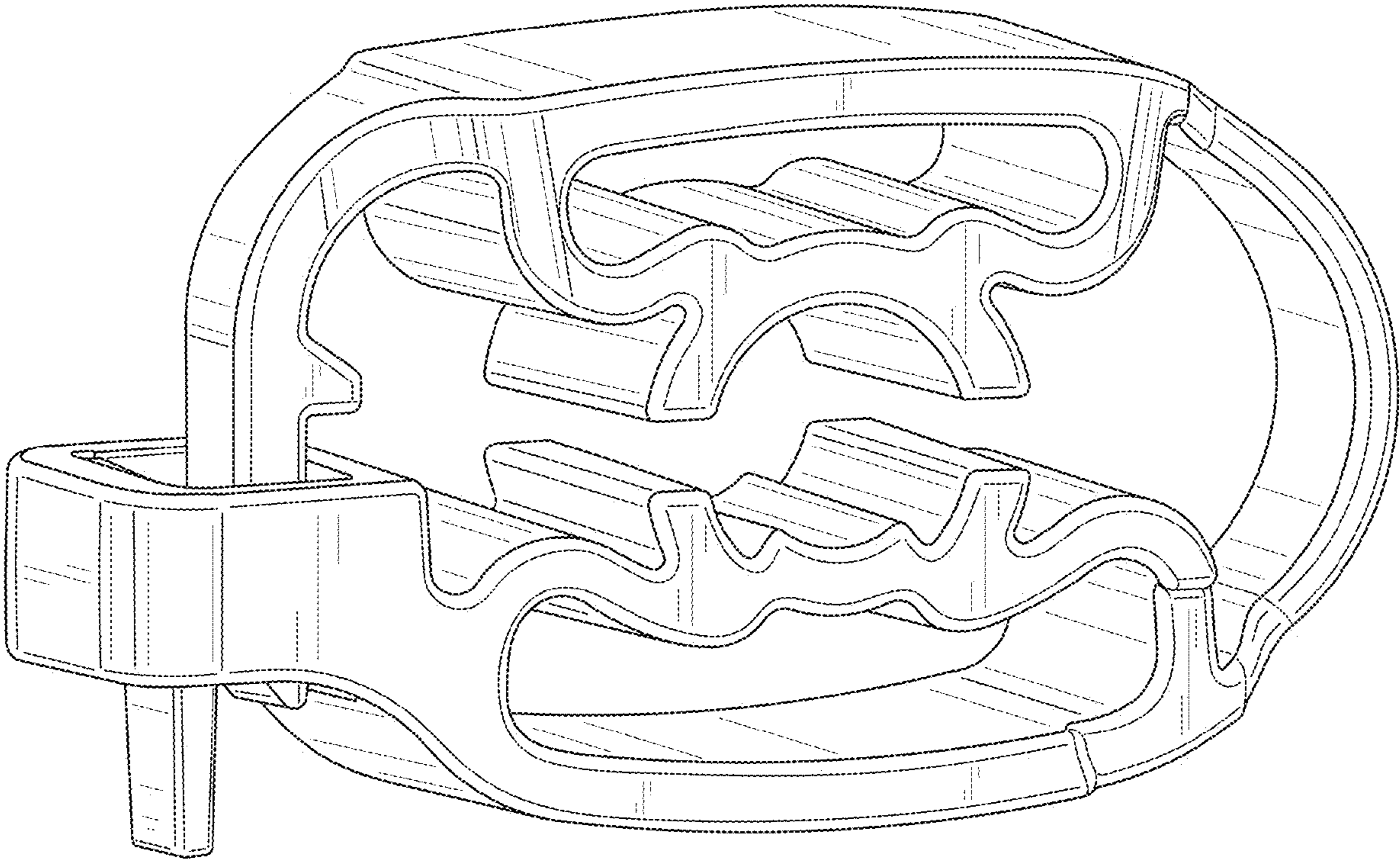


FIG. 7

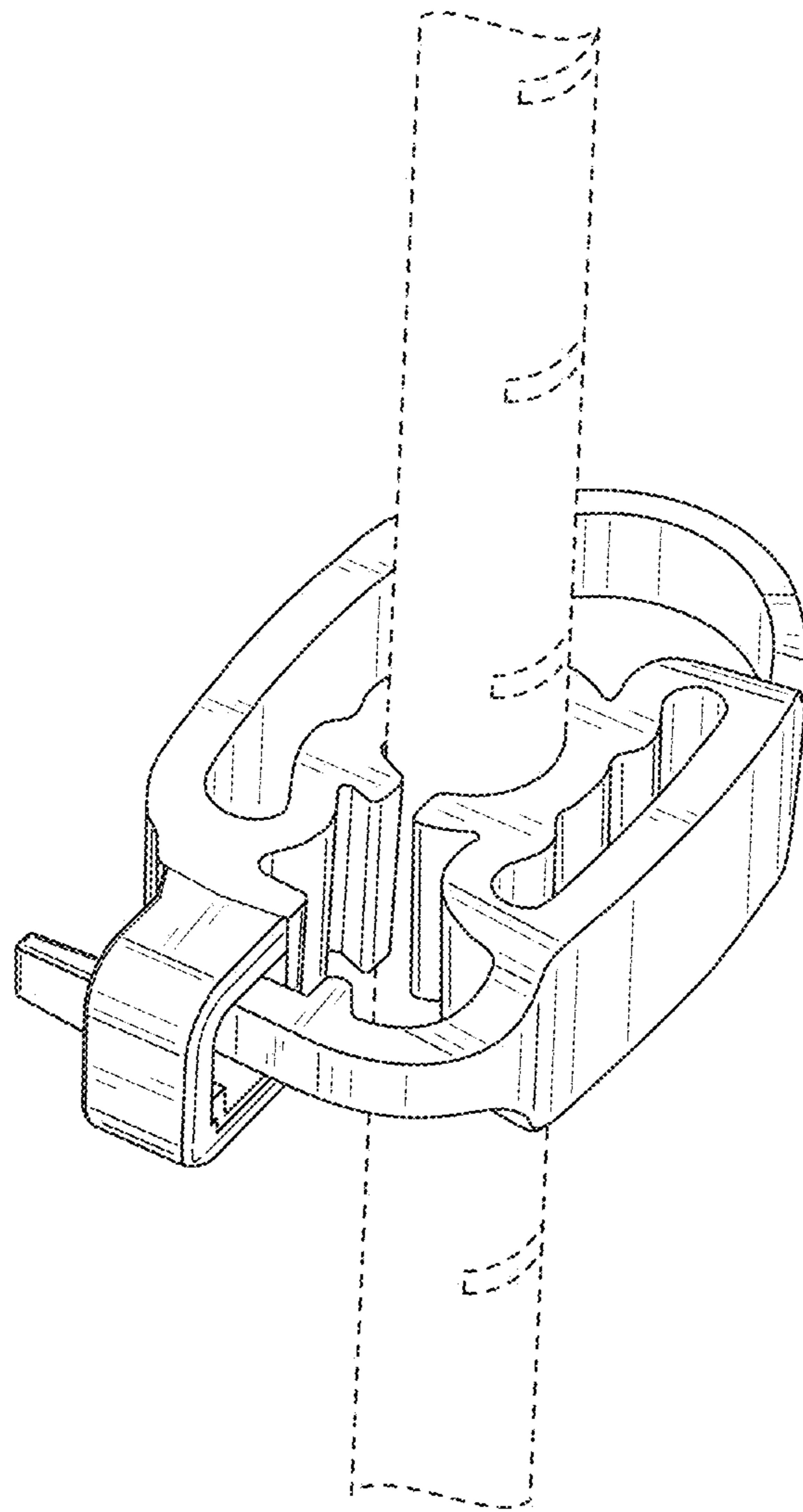


FIG. 8



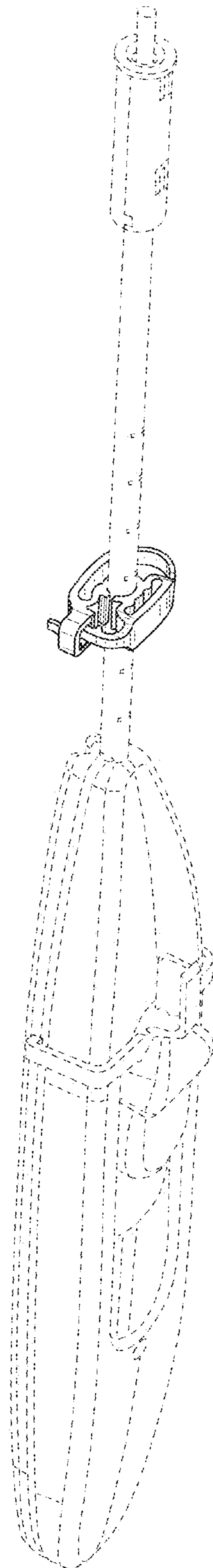


FIG. 9