



US00D942247S

(12) **United States Design Patent**
Laaksonen et al.

(10) **Patent No.:** **US D942,247 S**

(45) **Date of Patent:** **** *Feb. 1, 2022**

(54) **FLANGE**

(71) Applicant: **Bayer Oy**, Turku (FI)

(72) Inventors: **Kimmo Laaksonen**, Turku (FI); **Jari Riski**, Parainen (FI); **Taina Tjader**, Piispanristi (FI)

(73) Assignee: **Bayer Oy**, Turku (FI)

(*) Notice: This patent is subject to a terminal disclaimer.

(**) Term: **15 Years**

(21) Appl. No.: **29/743,745**

(22) Filed: **Jul. 23, 2020**

(30) **Foreign Application Priority Data**

Jan. 24, 2020 (EM) 007549993

(51) **LOC (13) Cl.** **08-05**

(52) **U.S. Cl.**
USPC **D8/354**

(58) **Field of Classification Search**
USPC D8/354, 72, 349, 356, 360.1, 394, 396,
D8/499; D24/127, 128, 148, 153, 229,
D24/231
CPC F16C 1/26; B66B 7/02; B65G 21/20
See application file for complete search history.

(56) **References Cited**

U.S. PATENT DOCUMENTS

- 4,317,262 A * 3/1982 Wells, Jr. F16L 3/12
24/16 PB
- 4,589,626 A * 5/1986 Kurtz A61M 39/288
251/10
- D298,216 S * 10/1988 Eisenberg D24/129
- 4,955,574 A * 9/1990 Freier F16L 3/1203
248/316.5
- D427,307 S * 6/2000 Guala D24/129

- D428,330 S * 7/2000 Johnston D8/395
- D431,650 S * 10/2000 Guala D24/129
- 6,220,554 B1 * 4/2001 Daoud F16L 3/12
24/16 PB
- D484,400 S * 12/2003 Blake D8/356
- 6,935,599 B2 * 8/2005 van Walraven B29C 45/00
248/74.1
- D521,366 S * 5/2006 Polak D8/383
- D580,748 S * 11/2008 Polak D8/394
- D637,712 S * 5/2011 Chau D24/129
- D676,314 S * 2/2013 Cude D8/396
- D761,643 S * 7/2016 Papafagos D8/396
- D809,370 S * 2/2018 Tang D8/356
- D810,555 S * 2/2018 O'Brien D8/394

(Continued)

Primary Examiner — Keli L Hill

Assistant Examiner — Harold E Blackwell, II

(74) *Attorney, Agent, or Firm* — Lowenstein Sandler LLP

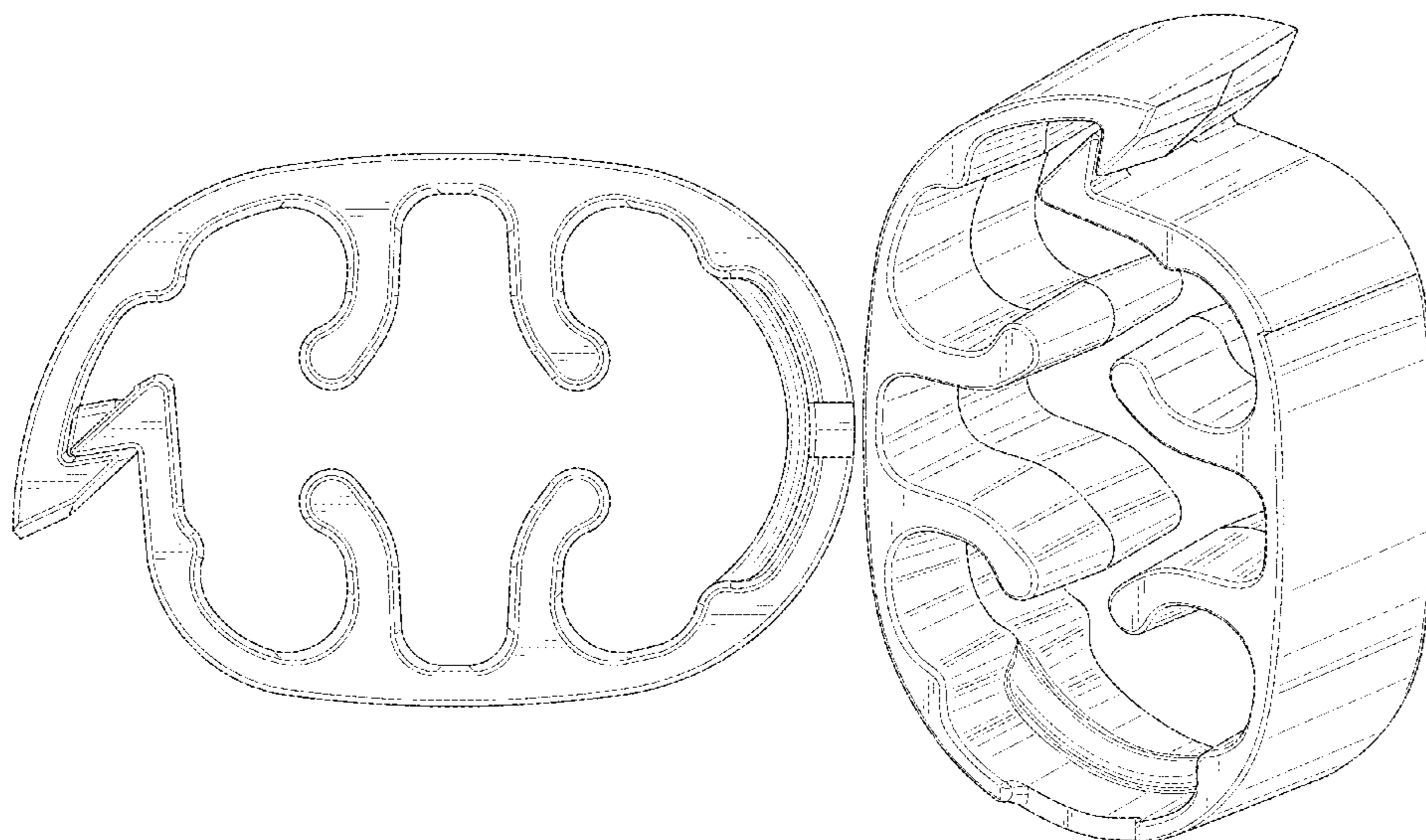
(57) **CLAIM**

The ornamental design for a flange, as shown and described.

DESCRIPTION

FIG. 1 is a front view of a flange showing our new design in accordance with an embodiment of the invention;
 FIG. 2 is a rear view thereof;
 FIG. 3 is a right side view thereof;
 FIG. 4 is a left side view thereof;
 FIG. 5 is a top view thereof;
 FIG. 6 is a bottom view thereof;
 FIG. 7 is a first perspective view thereof;
 FIG. 8 is a second perspective view thereof;
 FIG. 9 is a third perspective view thereof affixed to an inserter; and,
 FIG. 10 is a fourth perspective view thereof affixed to the inserter.
 The inserter illustrated in FIG. 9 and FIG. 10 is shown in broken lines and forms no part of the claimed design.

1 Claim, 8 Drawing Sheets



(56)

References Cited

U.S. PATENT DOCUMENTS

D871,309 S *	12/2019	Adler	D12/408
D884,885 S *	5/2020	Hu	D24/128
D908,871 S *	1/2021	Hu	D24/128
D921,887 S *	6/2021	Hu	D24/128
2011/0009717 A1 *	1/2011	Davis	A61B 5/150389 600/309
2013/0193289 A1 *	8/2013	Goffman	B62J 11/00 248/231.51
2015/0018783 A1 *	1/2015	Myers	A61M 39/284 604/319

* cited by examiner

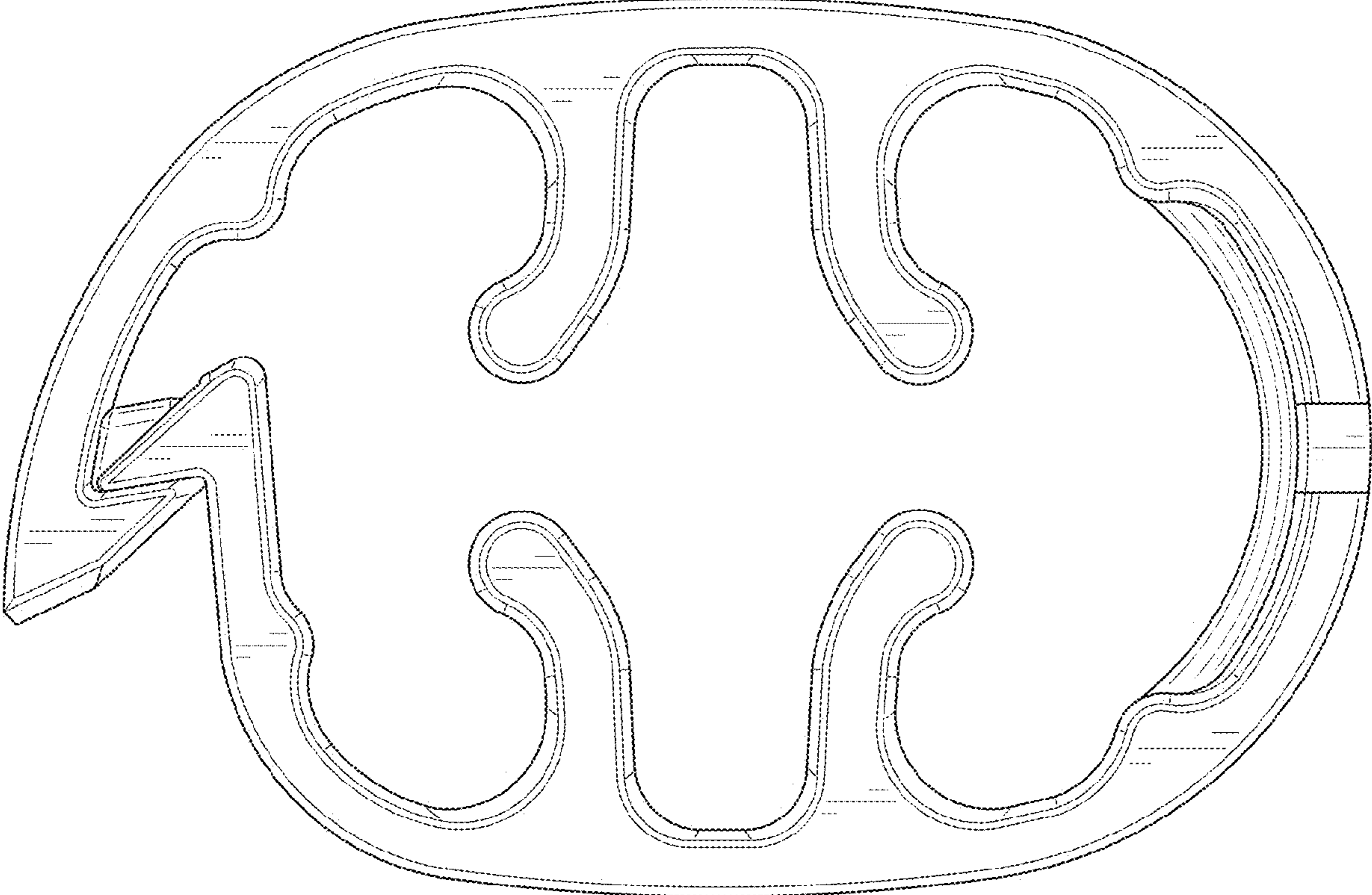


FIG. 1

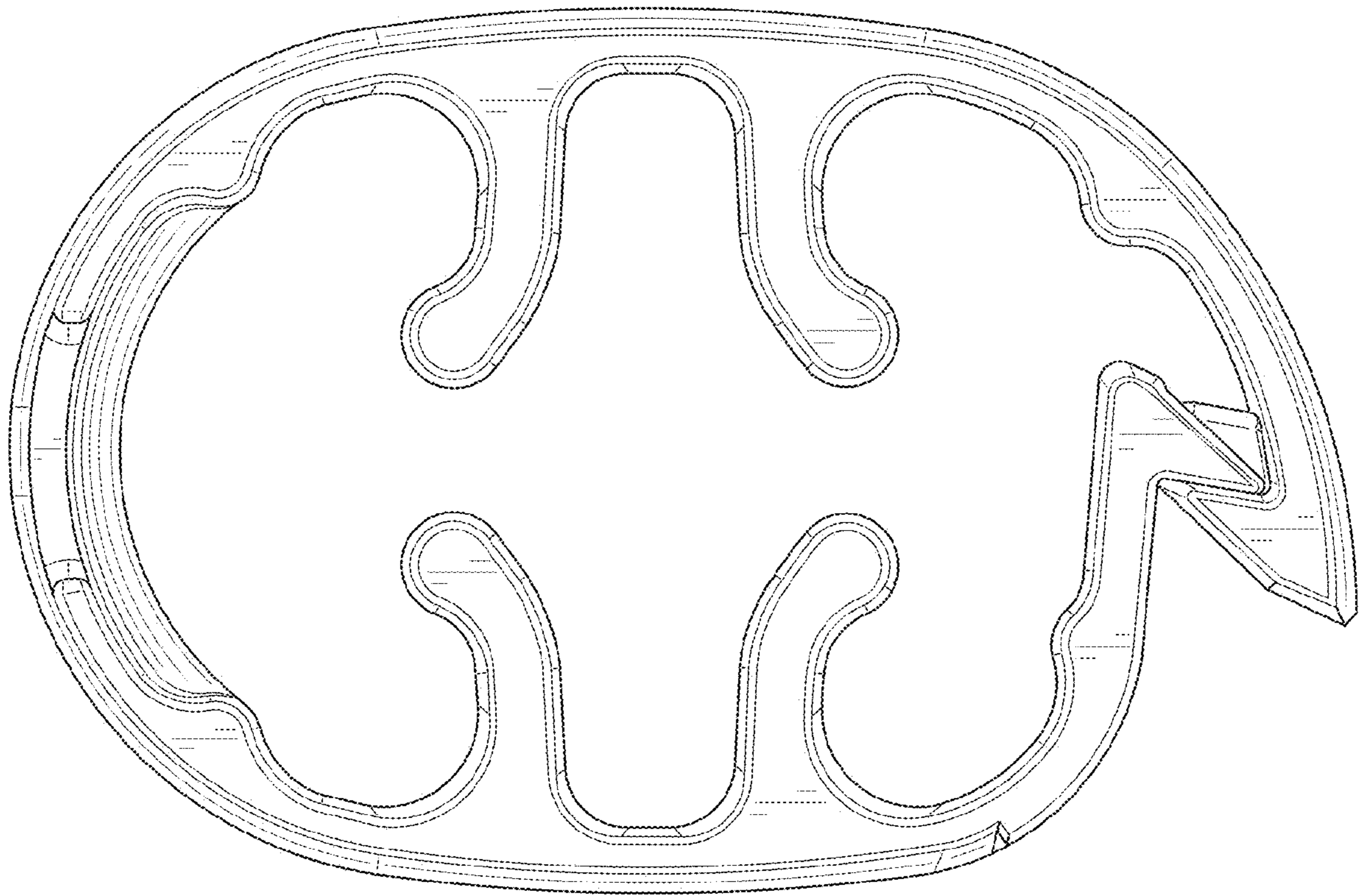


FIG. 2

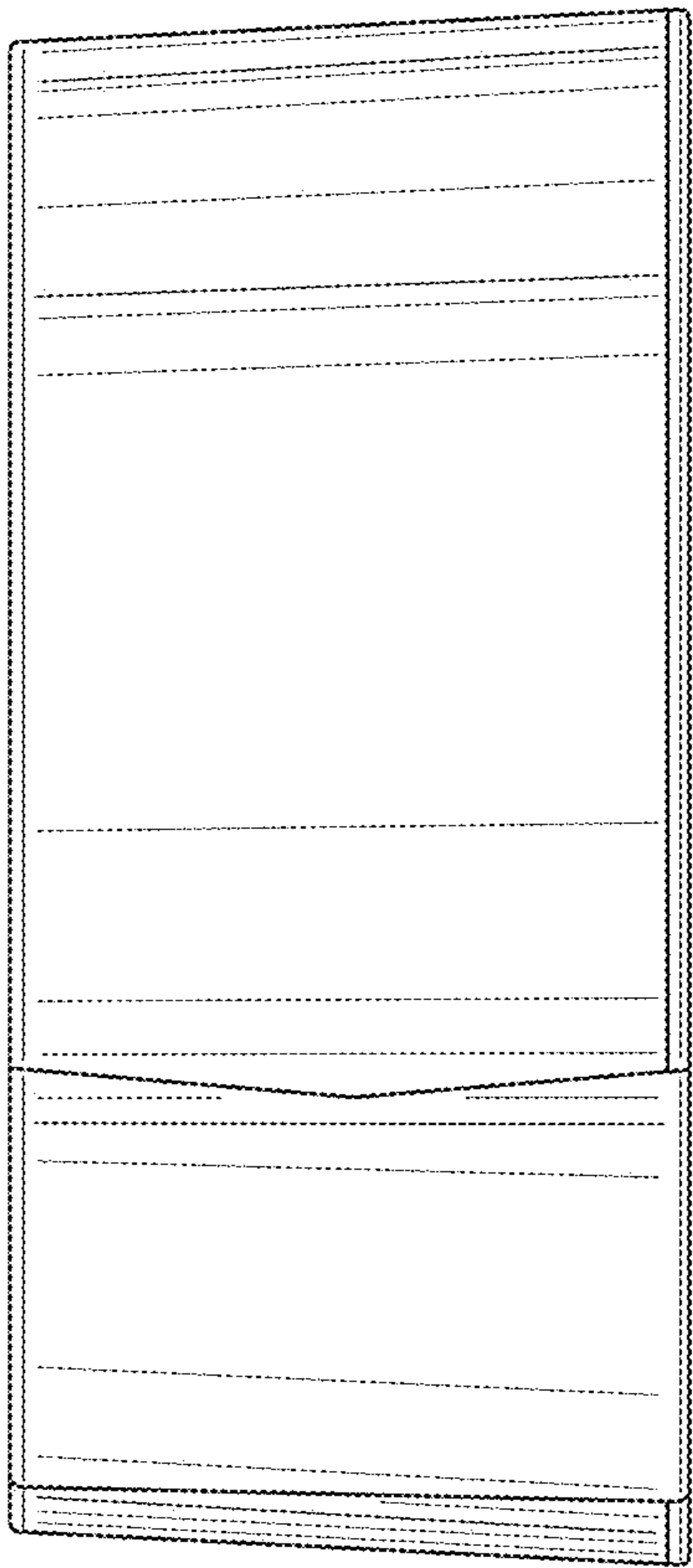


FIG. 3

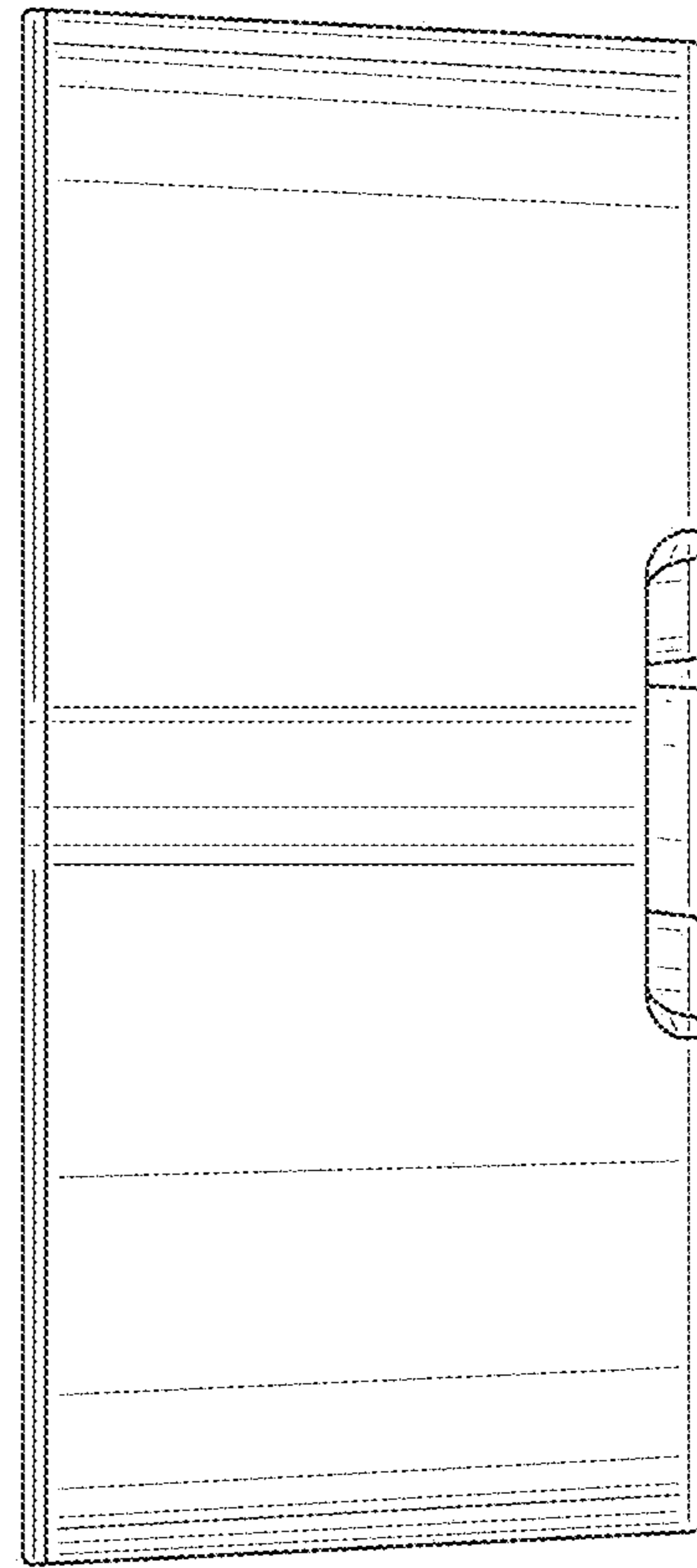


FIG. 4

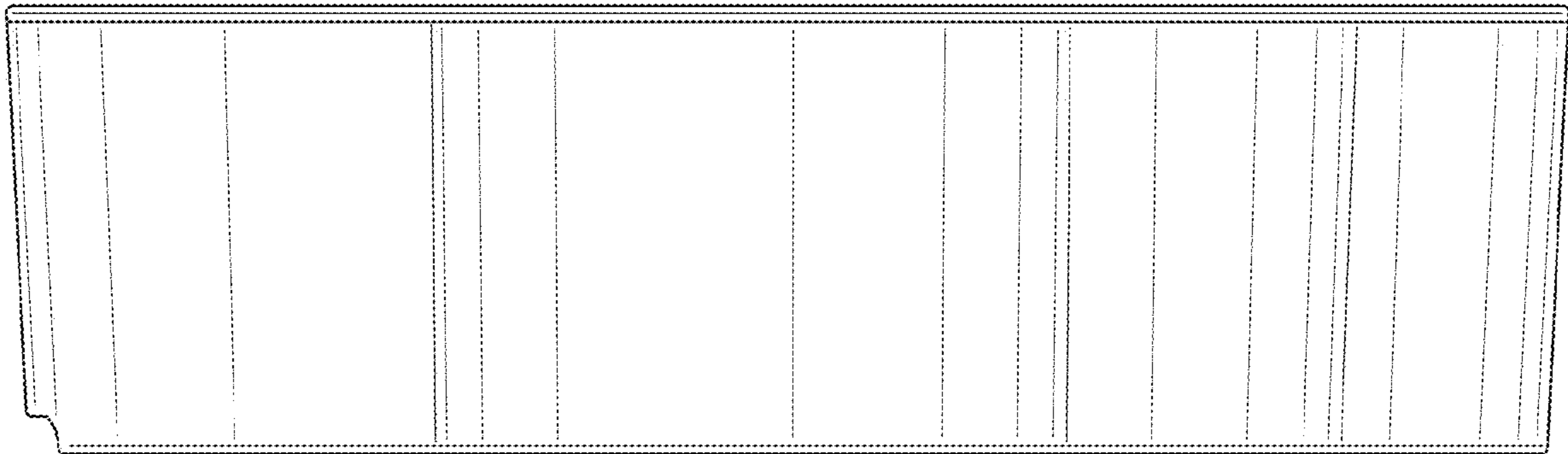


FIG. 5

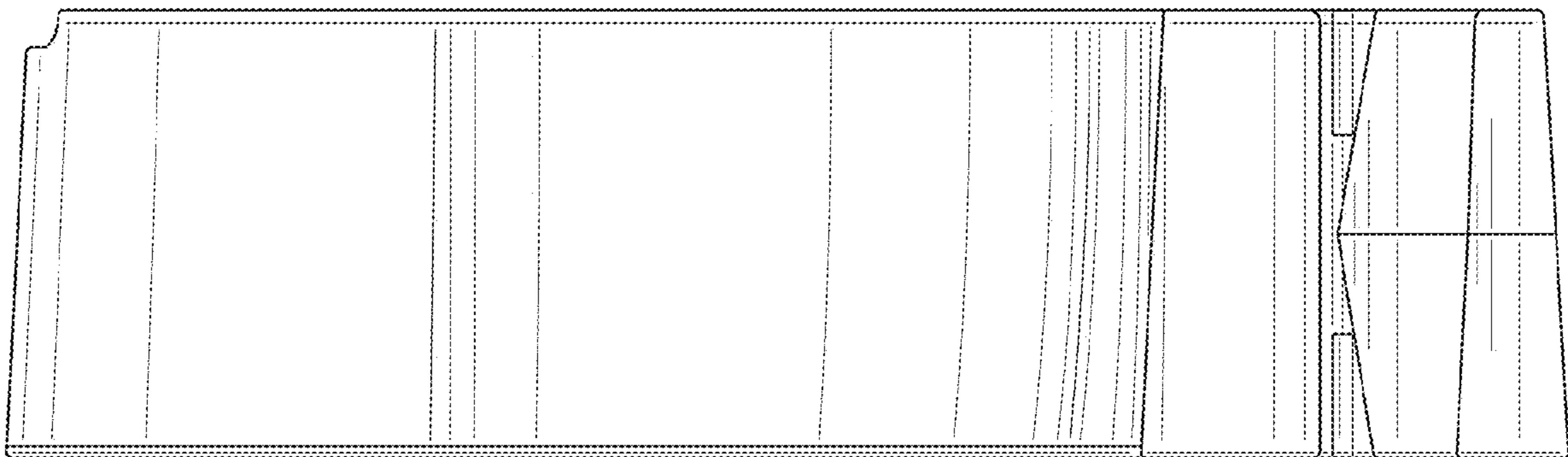


FIG. 6

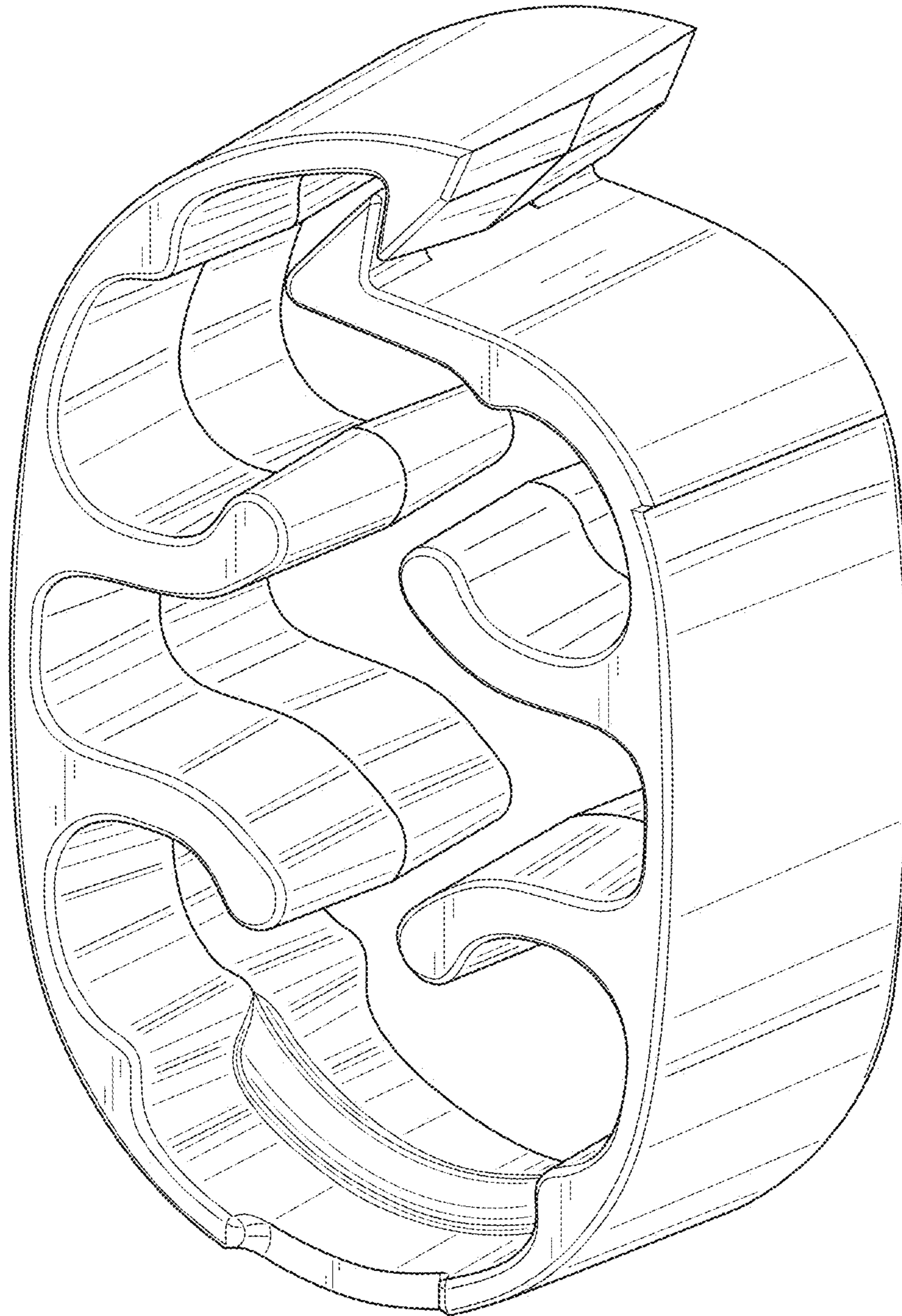


FIG. 7

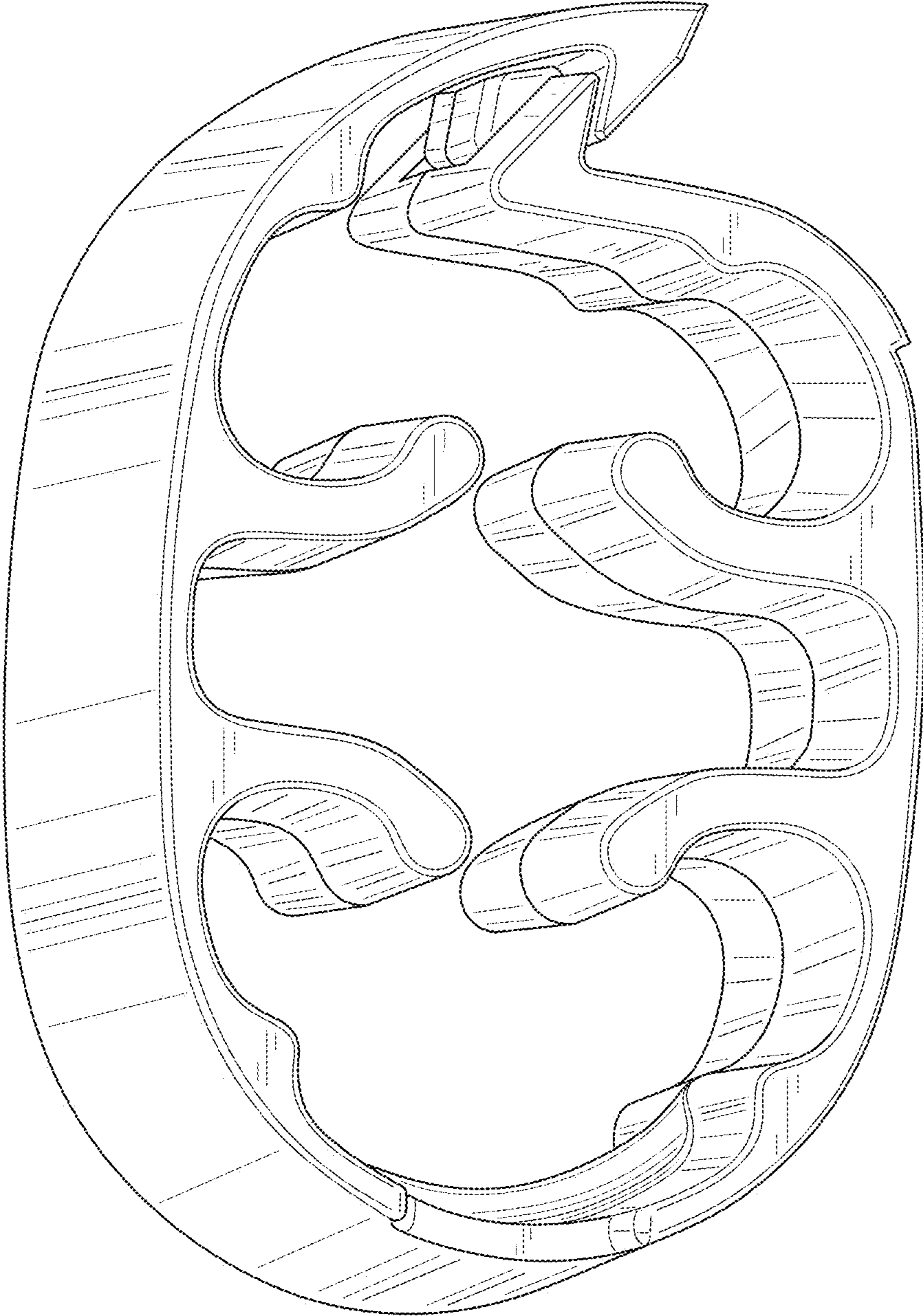


FIG. 8

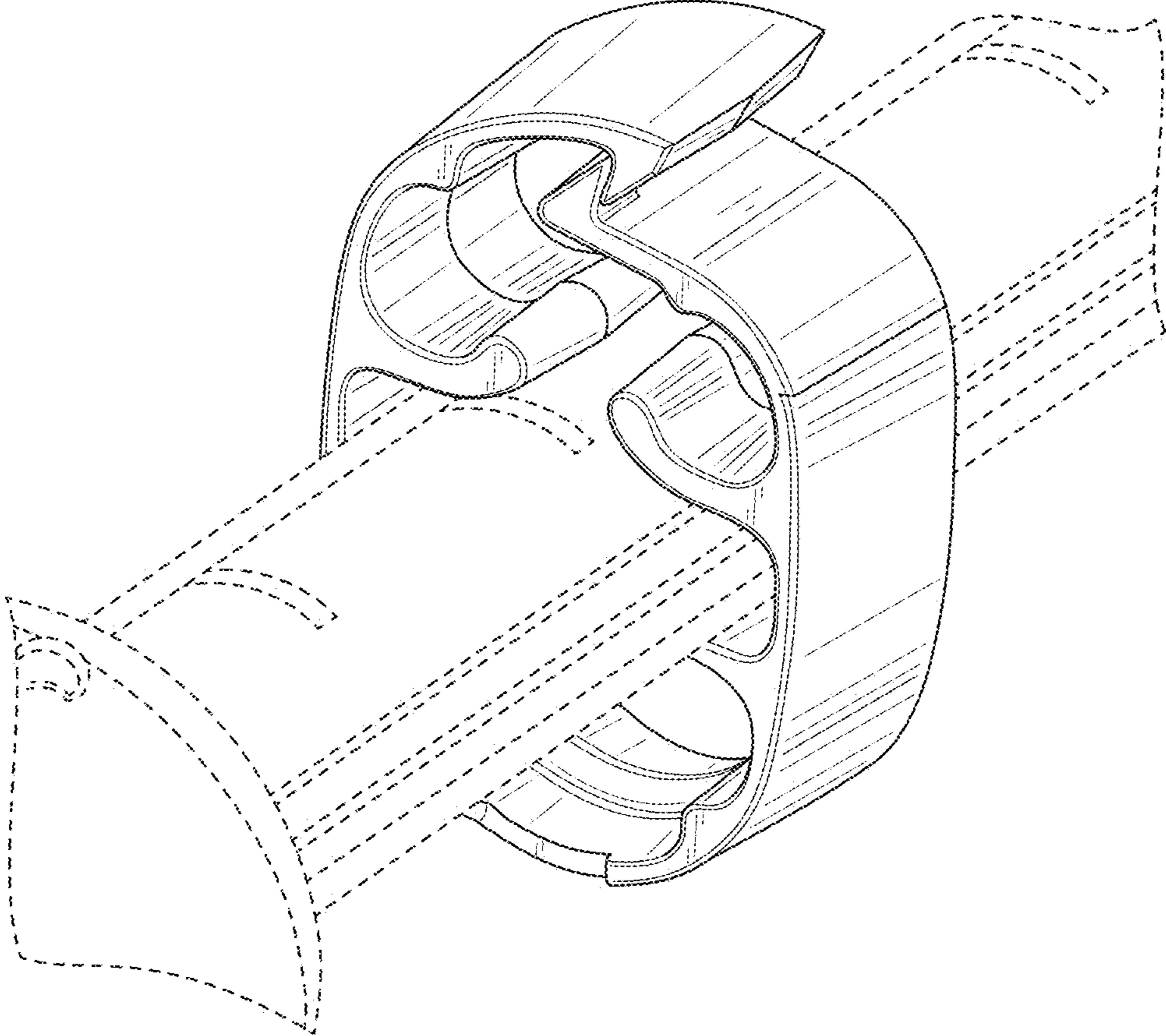


FIG. 9

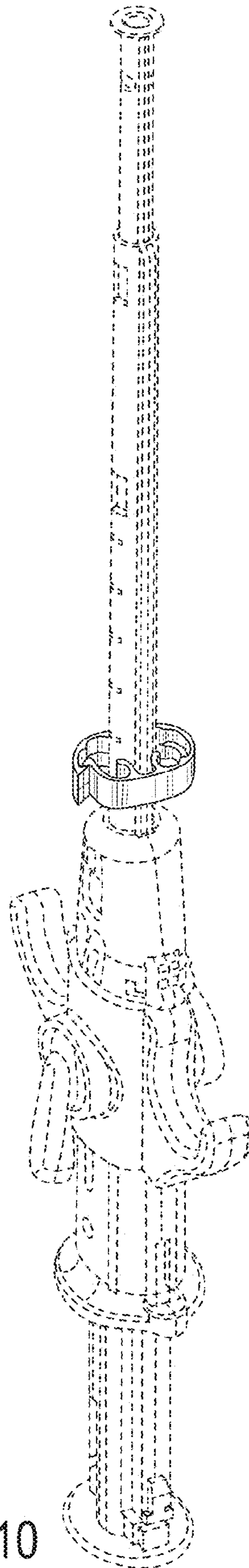


FIG. 10