

US00D942246S

(12) **United States Design Patent**
Diehl

(10) **Patent No.:** **US D942,246 S**

(45) **Date of Patent:** **** Feb. 1, 2022**

(54) **CONNECTOR**

(71) Applicant: **VOIDFORM PRODUCTS, LLC,**
Englewood, CO (US)

(72) Inventor: **Todd Diehl,** Mansfield, TX (US)

(73) Assignee: **VoidForm Products, LLC,** Englewood,
CO (US)

(**) Term: **15 Years**

(21) Appl. No.: **29/743,093**

(22) Filed: **Jul. 17, 2020**

(51) **LOC (13) Cl.** **08-05**

(52) **U.S. Cl.**
USPC **D8/354**

(58) **Field of Classification Search**
USPC D8/381, 380, 373, 363, 356, 355, 354;
D25/68, 132, 119, 102
CPC E04C 5/167; E04C 5/205
See application file for complete search history.

(56) **References Cited**

U.S. PATENT DOCUMENTS

D201,441 S *	6/1965	Potruch	D8/356
D264,682 S *	6/1982	Van Doren	D8/354
D272,125 S *	1/1984	Van Doren	D8/356
D444,244 S *	6/2001	McPherson	D25/199
D454,776 S *	3/2002	Padrun	D8/354

D483,246 S *	12/2003	McPherson	D8/354
D500,665 S *	1/2005	Sorkin	D8/354
7,461,491 B1 *	12/2008	Sorkin	E04C 5/168 52/679
D597,402 S *	8/2009	Garza	D8/354
D618,988 S *	7/2010	Peterson, Jr.	D8/380
D650,655 S *	12/2011	Wester	D8/354
D865,488 S *	11/2019	Jin	D8/354
2004/0031228 A1 *	2/2004	Hardy, Jr.	E04C 5/167 52/687

* cited by examiner

Primary Examiner — Keli L Hill

Assistant Examiner — Harold E Blackwell, II

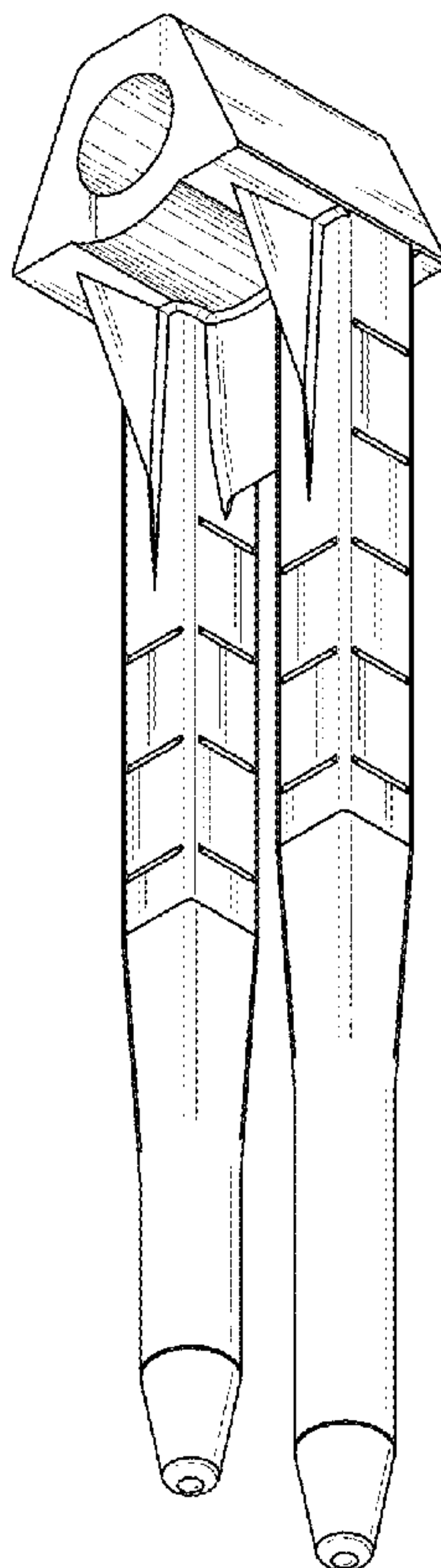
(57) **CLAIM**

The ornamental design for a connector, as shown and described.

DESCRIPTION

FIG. 1 is an isometric view of the front of the connector, showing my new design;
FIG. 2 is a bottom plan view of the connector thereof;
FIG. 3 is a top plan view of the connector thereof;
FIG. 4 is a back elevational view of the connector thereof;
FIG. 5 is a front elevational view of the connector thereof;
FIG. 6 is a left side elevational view of the connector thereof; and,
FIG. 7 is a right side elevational view of the connector thereof.

1 Claim, 3 Drawing Sheets



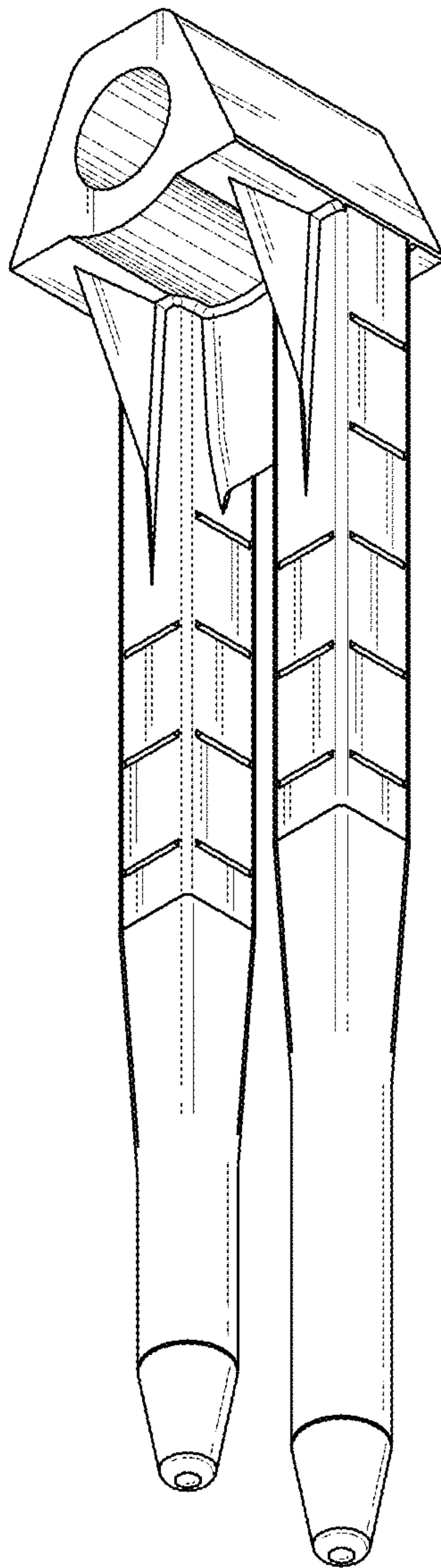


FIG. 1

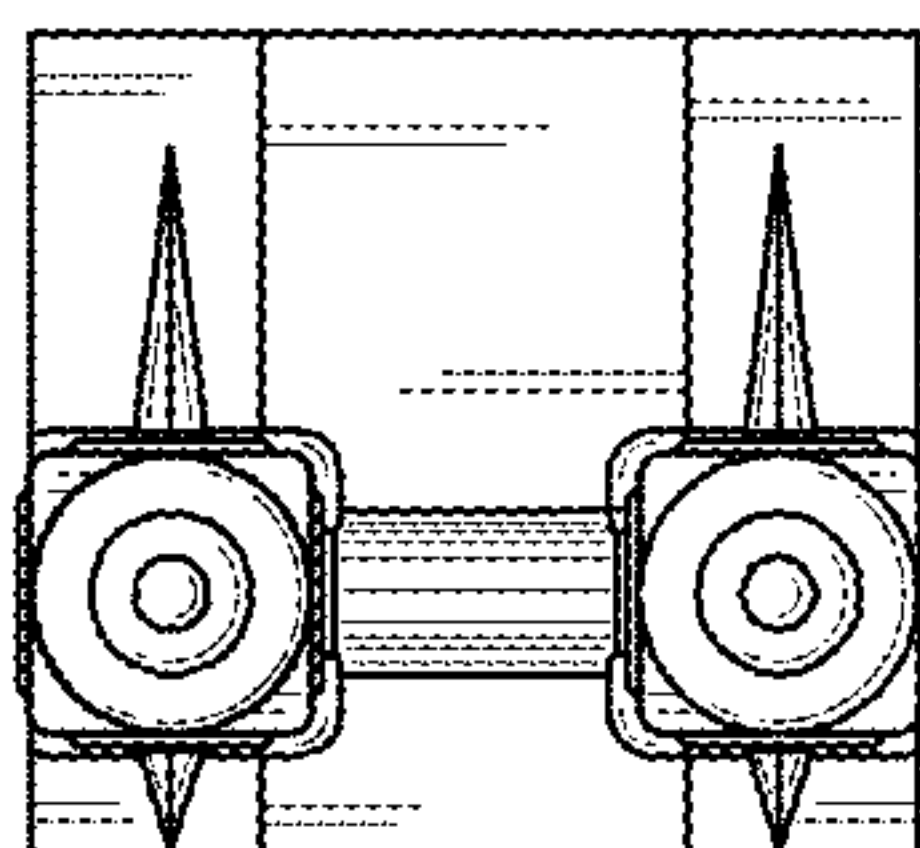


FIG. 2

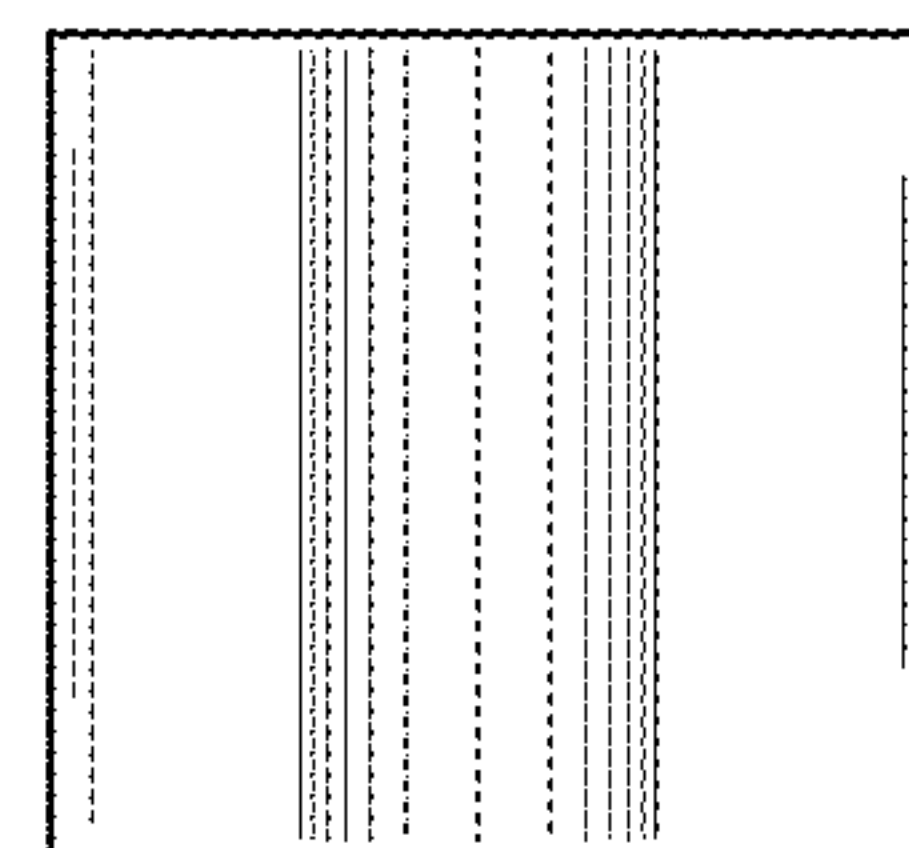


FIG. 3

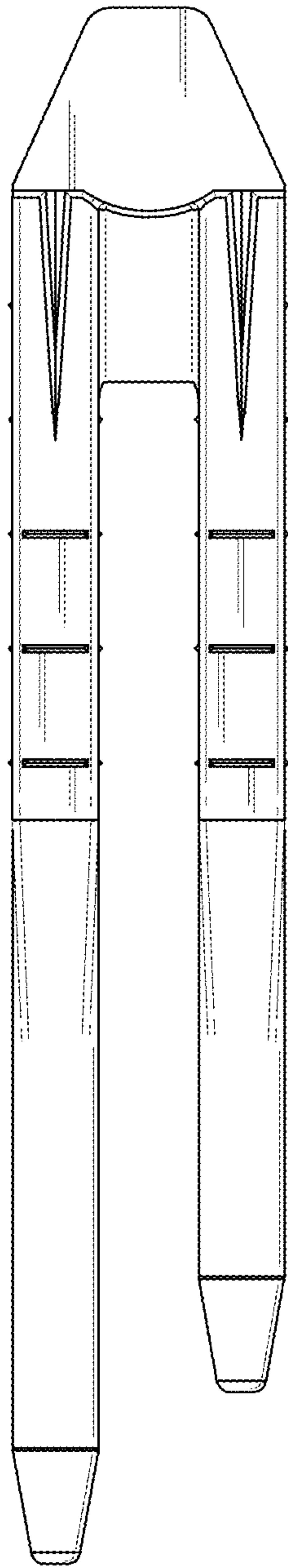


FIG. 4

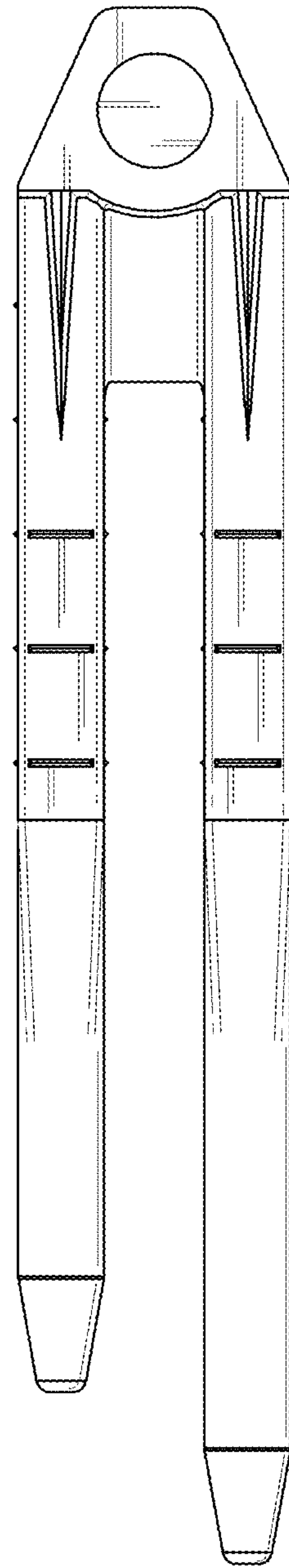


FIG. 5

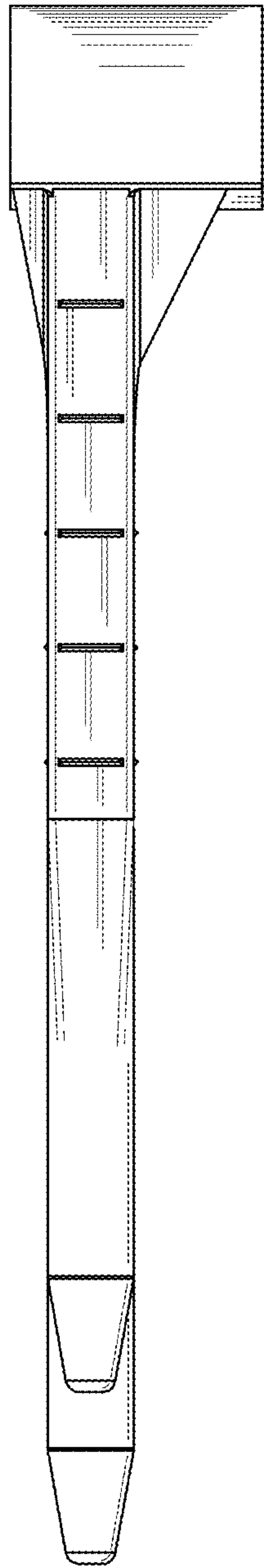


FIG. 6

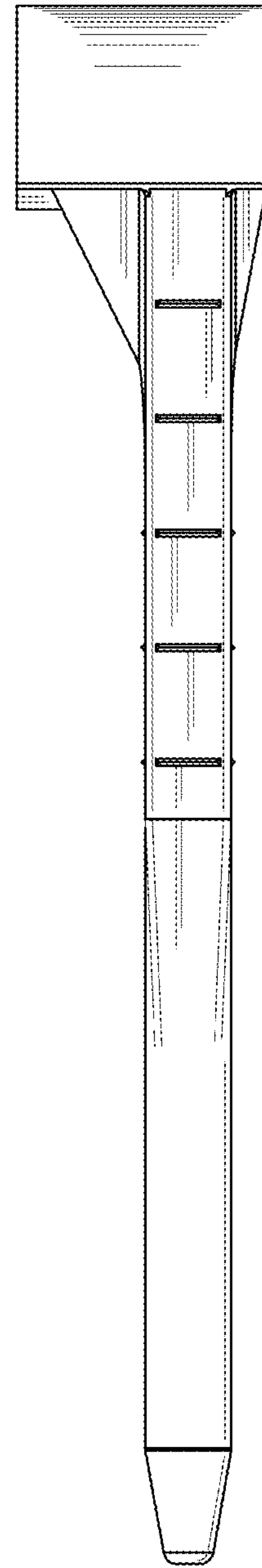


FIG. 7