



US00D942245S

(12) **United States Design Patent**  
**Gualtieri**

(10) **Patent No.:** **US D942,245 S**

(45) **Date of Patent:** **\*\* Feb. 1, 2022**

(54) **BRACKET**

(71) Applicant: **Orazio Gualtieri**, London (GB)

(72) Inventor: **Orazio Gualtieri**, London (GB)

(\*\*) Term: **15 Years**

(21) Appl. No.: **29/741,689**

(22) Filed: **Jul. 15, 2020**

(30) **Foreign Application Priority Data**

Jan. 29, 2020 (EM) ..... 007570221-0003

(51) **LOC (13) Cl.** ..... **08-05**

(52) **U.S. Cl.**  
USPC ..... **D8/354**

(58) **Field of Classification Search**  
USPC ..... D8/349, 354, 380, 382, 366, 363, 371,  
D8/373, 376; D6/572, 577, 580  
CPC ..... A63B 21/078; A63B 1/00; A63B 21/169  
See application file for complete search history.

(56) **References Cited**

**U.S. PATENT DOCUMENTS**

D267,471 S \* 1/1983 Mundorf ..... D15/5  
D588,441 S \* 3/2009 Clarke ..... D8/354

D594,312 S \* 6/2009 Clarke ..... D8/354  
D594,313 S \* 6/2009 Clarke ..... D8/354  
D612,224 S \* 3/2010 Wendt ..... D8/354  
D624,805 S \* 10/2010 Clarke ..... D8/354  
D638,280 S \* 5/2011 Mcalonan ..... D8/349  
D685,253 S \* 7/2013 Hiebert ..... D8/354  
D691,459 S \* 10/2013 Waugh ..... D8/354  
D912,497 S \* 3/2021 Herbertsson ..... D8/354  
D929,512 S \* 8/2021 Dunahay ..... D21/679

\* cited by examiner

*Primary Examiner* — Keli L Hill

*Assistant Examiner* — Harold E Blackwell, II

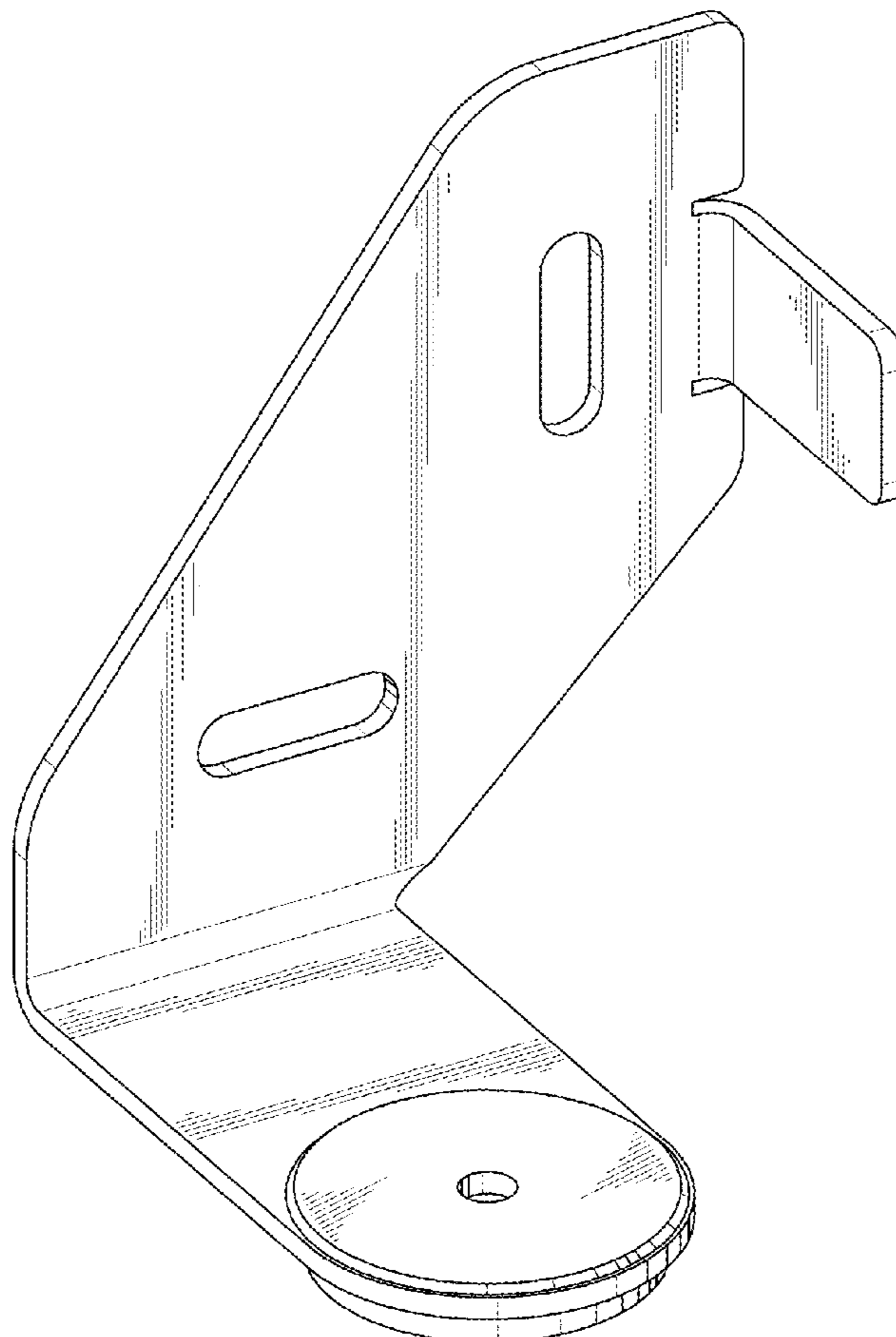
(57) **CLAIM**

I claim the ornamental design for a bracket, as shown and described.

**DESCRIPTION**

FIG. 1 is a front perspective view of a bracket in accordance with the present invention;  
FIG. 2 is a front view thereof;  
FIG. 3 is a rear view thereof;  
FIG. 4 is a left view thereof;  
FIG. 5 is a right view thereof;  
FIG. 6 is a top view thereof; and,  
FIG. 7 is a bottom view thereof.

**1 Claim, 7 Drawing Sheets**



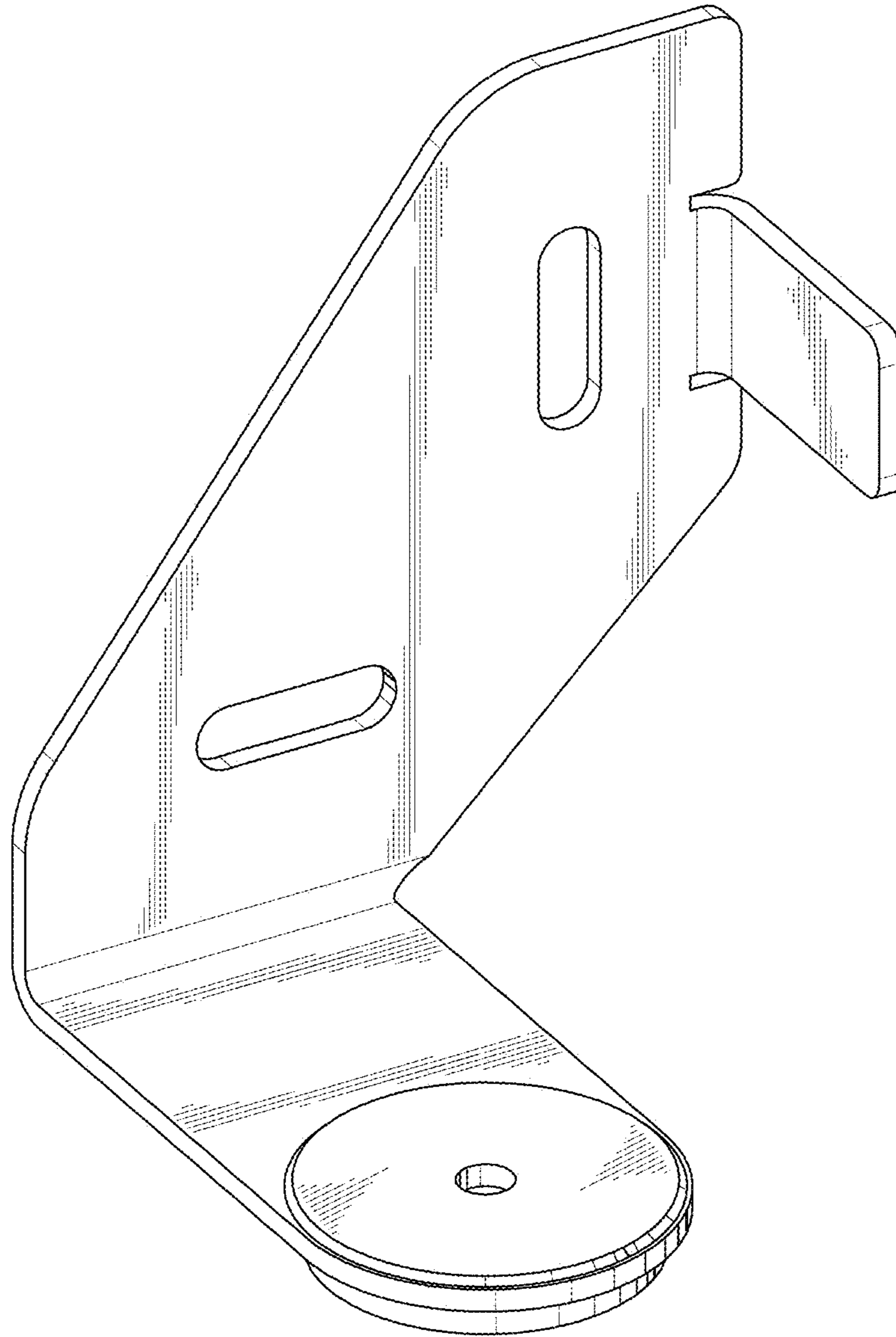


FIG. 1

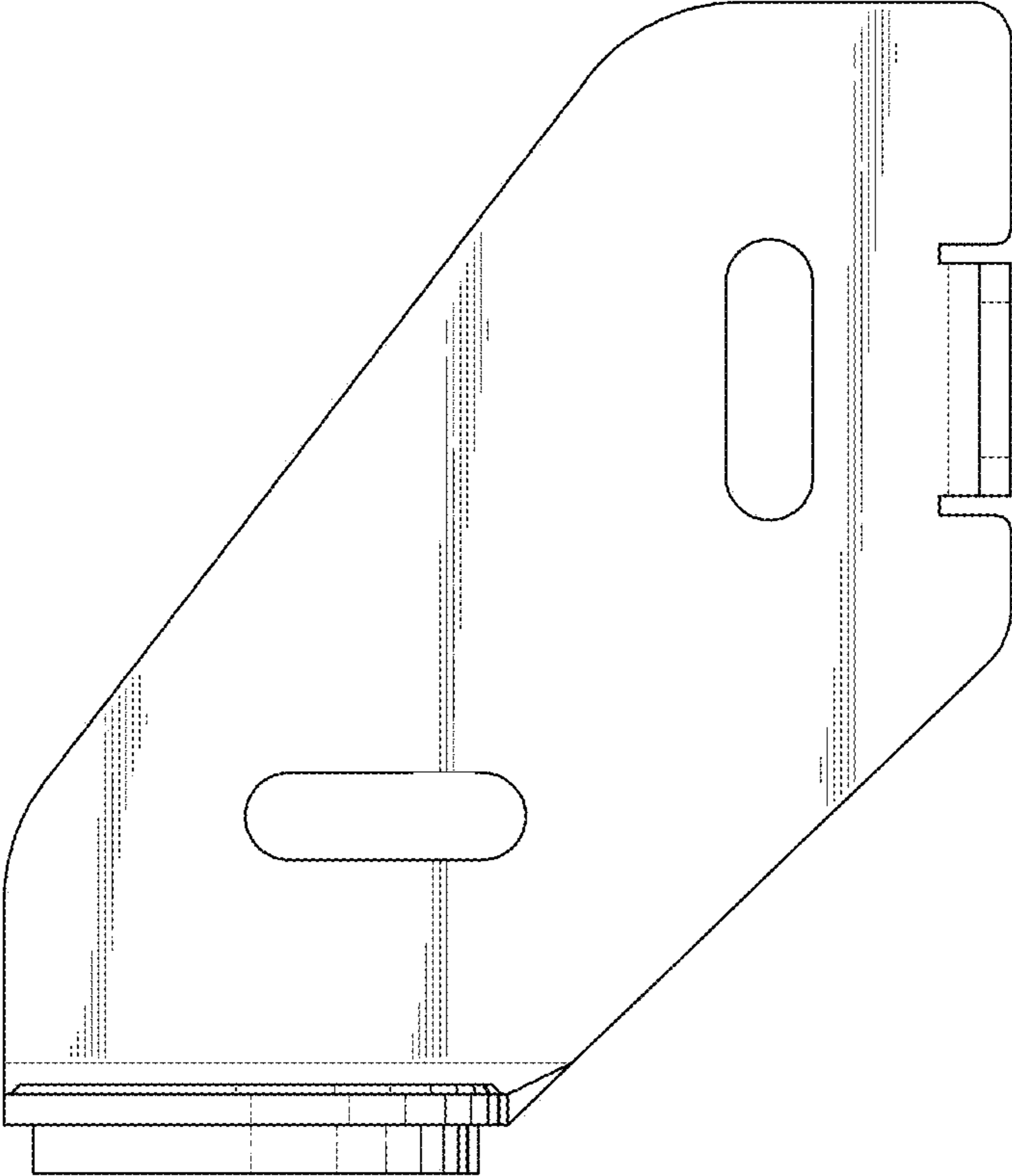
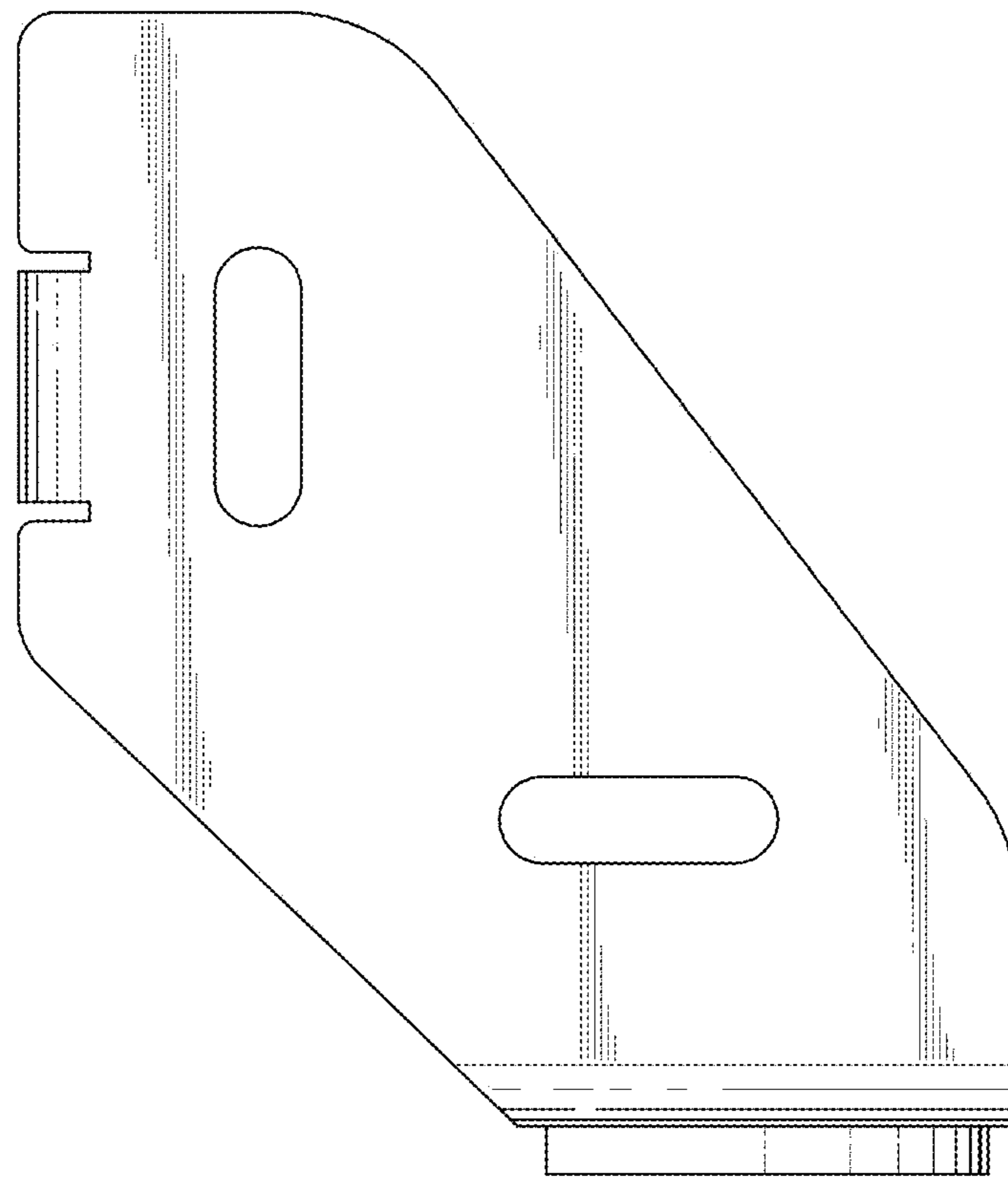


FIG. 2



*FIG. 3*

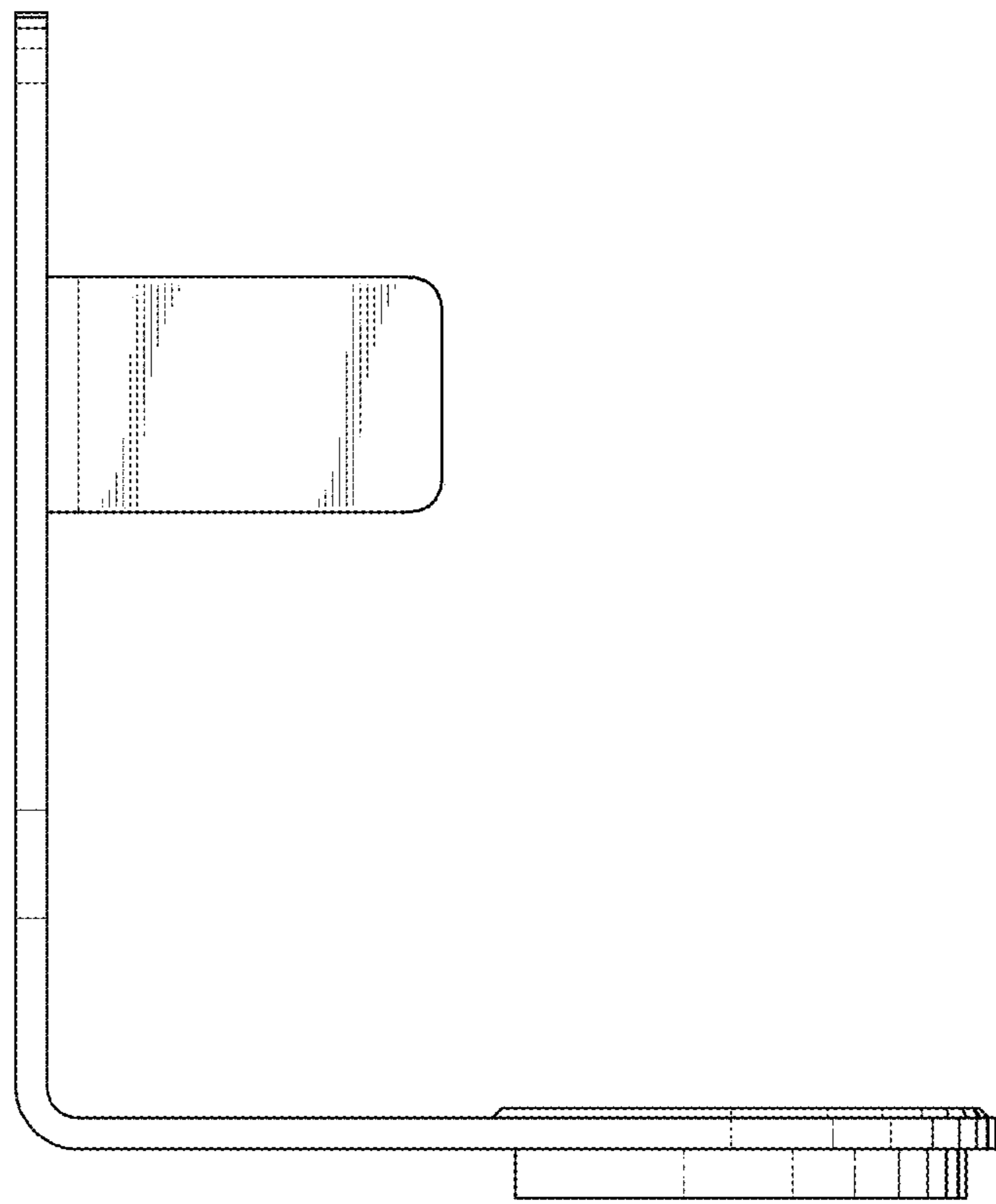
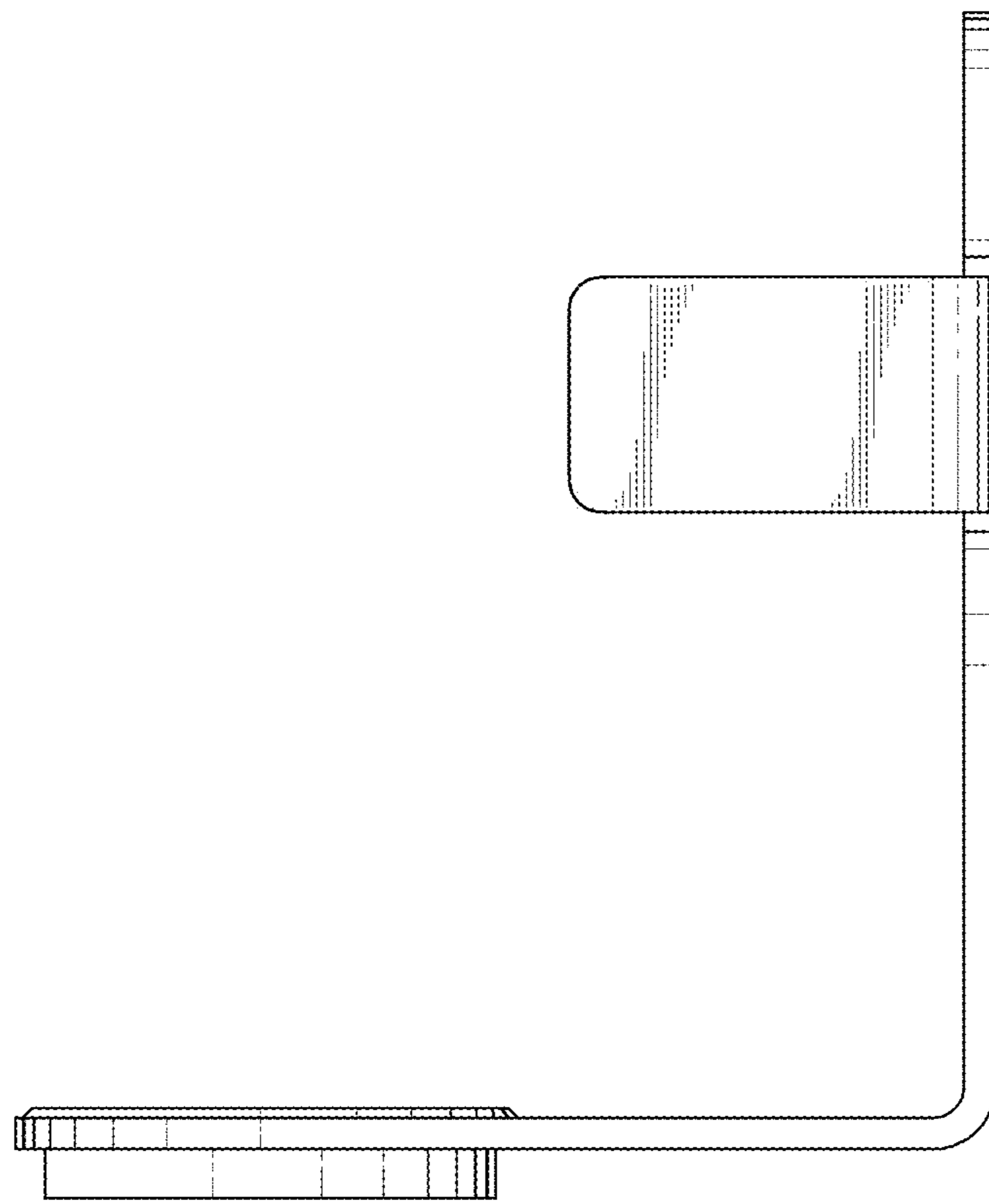


FIG. 4



*FIG. 5*

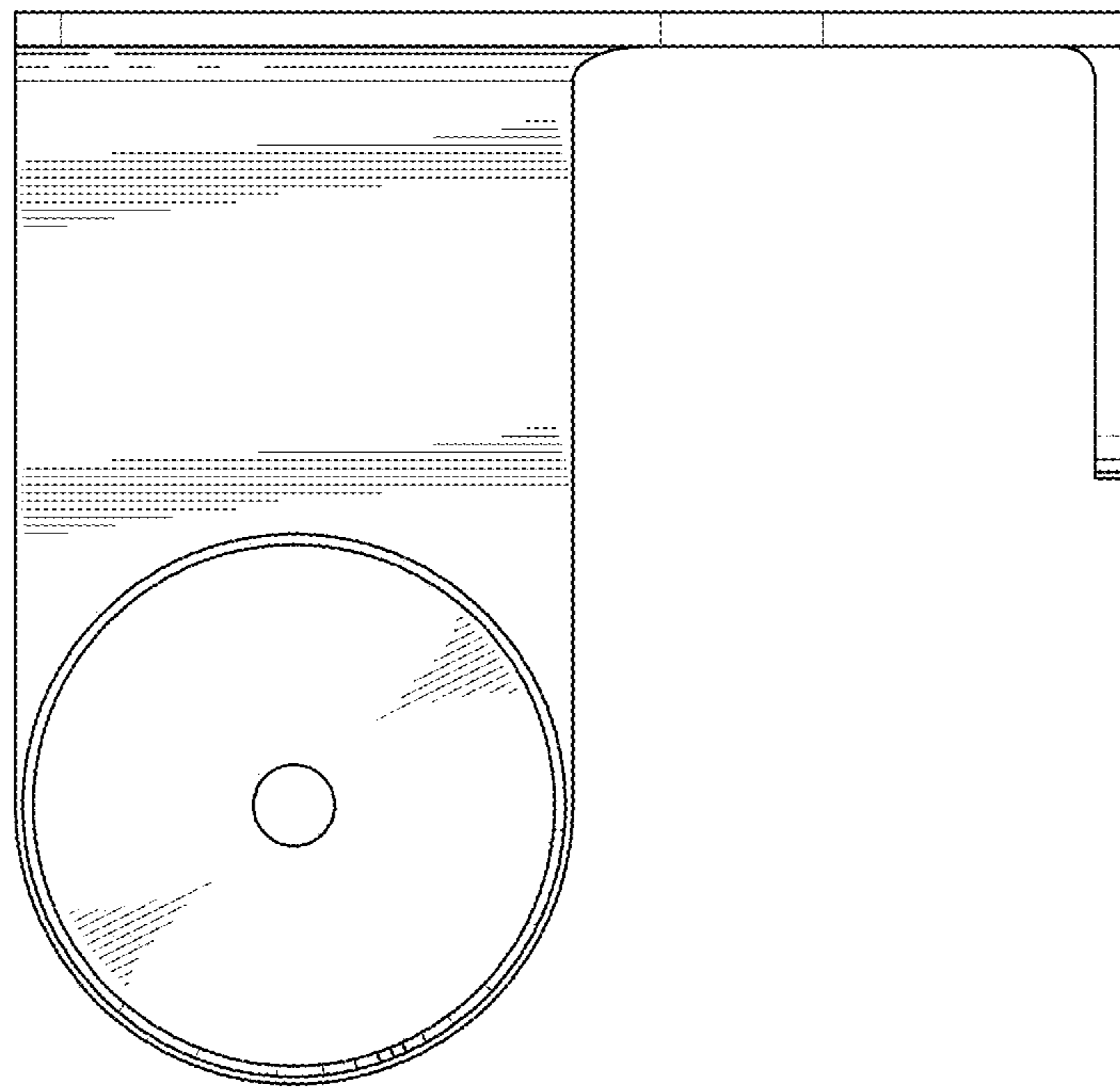
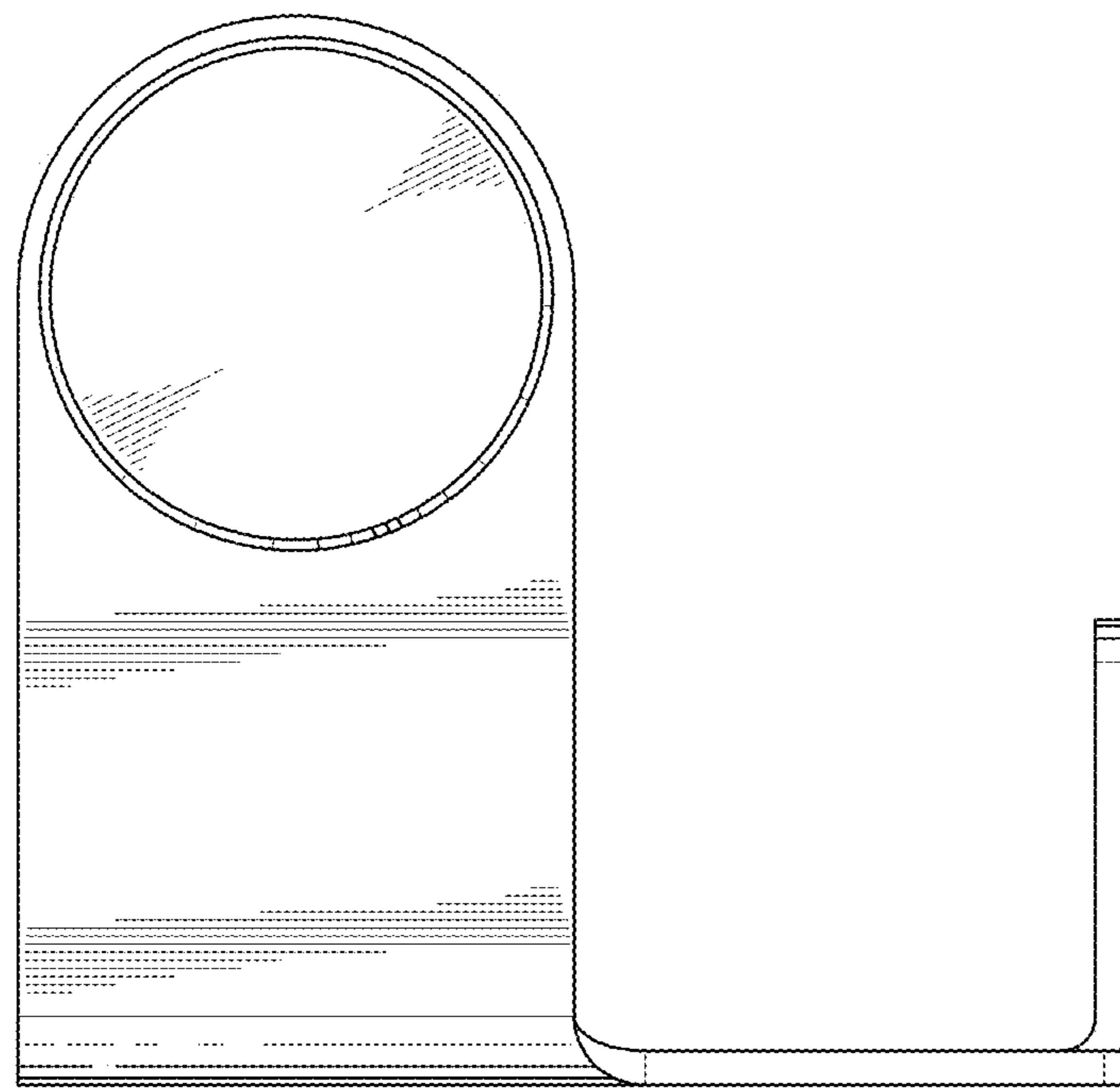


FIG. 6



*FIG. 7*