

US00D942244S

(12) **United States Design Patent**
Luebeck

(10) **Patent No.:** **US D942,244 S**

(45) **Date of Patent:** **** Feb. 1, 2022**

- (54) **DOOR HARDWARE SET**
- (71) Applicant: **Carrier Corporation**, Palm Beach Gardens, FL (US)
- (72) Inventor: **Jon Marc Luebeck**, Stayton, OR (US)
- (73) Assignee: **CARRIER CORPORATION**, Palm Beach Gardens, FL (US)

(**) Term: **15 Years**

(21) Appl. No.: **29/705,613**

(22) Filed: **Sep. 13, 2019**

(51) **LOC (13) Cl.** **11-05**

(52) **U.S. Cl.**
USPC **D8/350**

(58) **Field of Classification Search**
USPC D8/301, 302, 343, 350
CPC E05B 13/101; E05B 13/106; E05B 13/00;
E05B 13/002; E05B 13/04; E05B
47/0676; E05B 55/06; Y10T 70/8568
See application file for complete search history.

(56) **References Cited**

U.S. PATENT DOCUMENTS

- 4,606,203 A * 8/1986 Esser E05B 59/00
70/107
- D391,830 S * 3/1998 Carsello E05B 59/00
D8/302
- D411,732 S * 6/1999 Chamberlain E05B 13/005
D8/350

- D471,079 S * 3/2003 Ellis E05B 3/00
D8/350
- D495,229 S * 8/2004 Ellis E05B 59/00
D8/301
- D579,760 S * 11/2008 Roberts, III D8/350
- 9,834,956 B2 * 12/2017 Hogan E05B 3/00
- 9,890,564 B2 * 2/2018 Wong E05B 59/00
- 10,626,634 B2 * 4/2020 Verderaine E05B 13/005
- 10,753,121 B2 * 8/2020 Morse E05B 3/065

* cited by examiner

Primary Examiner — Doris Clark

(74) *Attorney, Agent, or Firm* — Carlson, Gaskey & Olds, P.C.

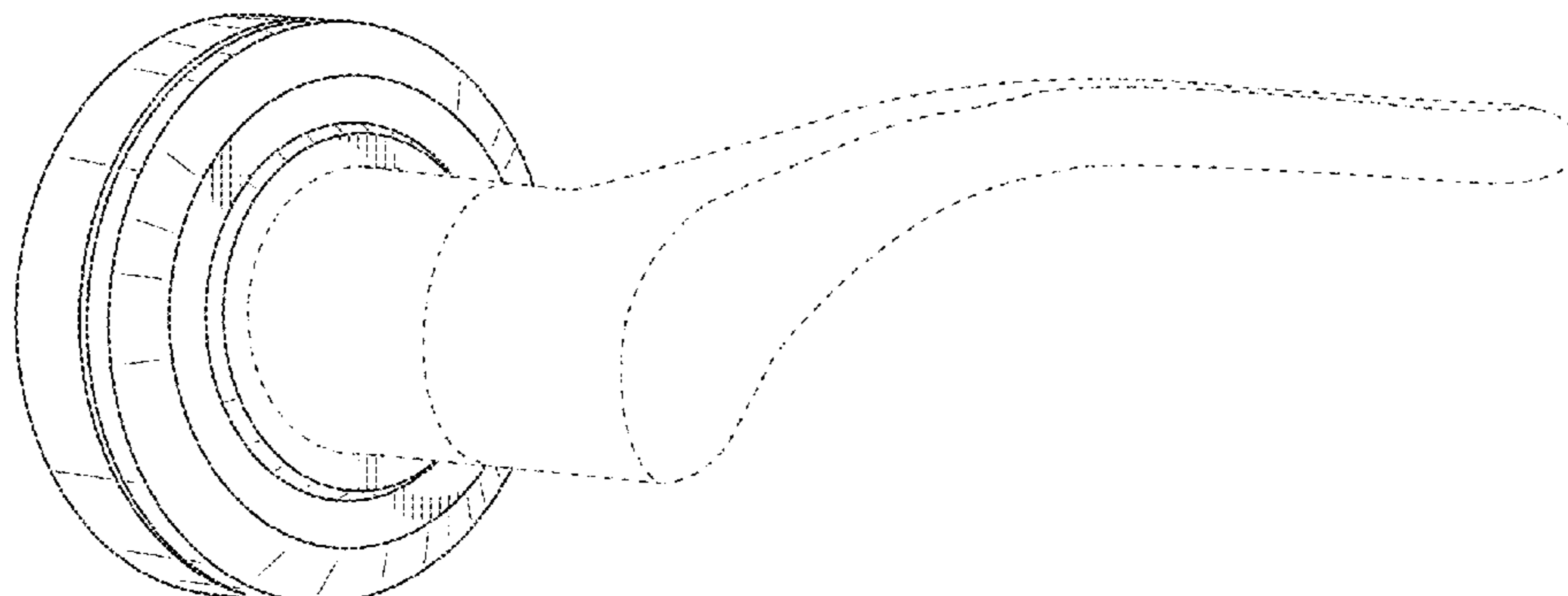
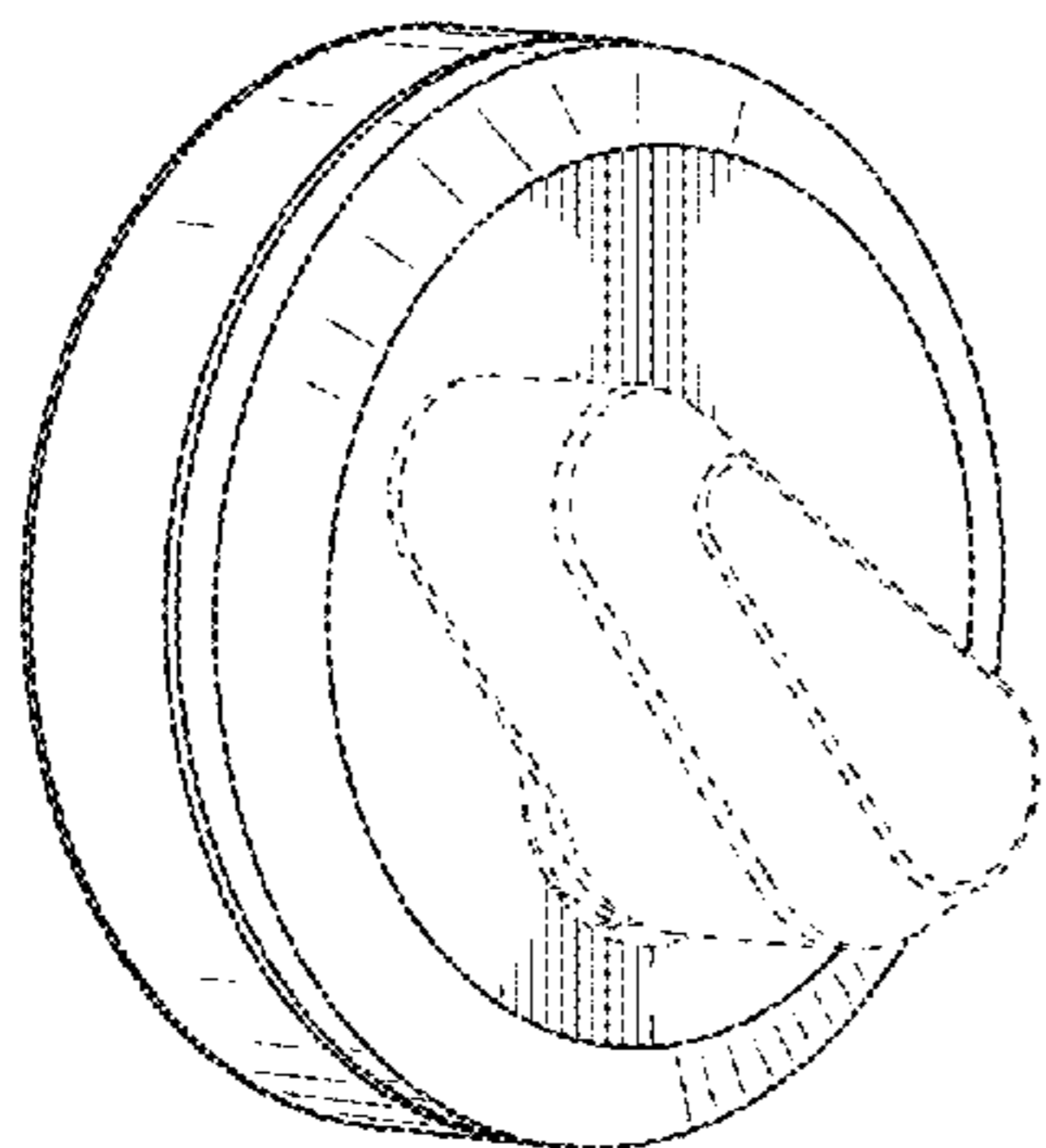
(57) **CLAIM**

I claim the ornamental design of a door hardware set, as shown and described.

DESCRIPTION

FIG. 1 is a perspective view of a door hardware set that includes a thumbturn rosette and handle rosette.
 FIG. 2 is a front view of the door hardware set of FIG. 1.
 FIG. 3 is a first side view of the door hardware set of FIG. 1; and,
 FIG. 4 is second side view of the door hardware set of FIG. 1 that is opposite the first side view of FIG. 3.
 The broken lines in the Figures are for illustrative purposes only and form no part of the claimed design. The shade lines in the Figures show contour or the flatness of a surface, and not surface ornamentation.

1 Claim, 4 Drawing Sheets



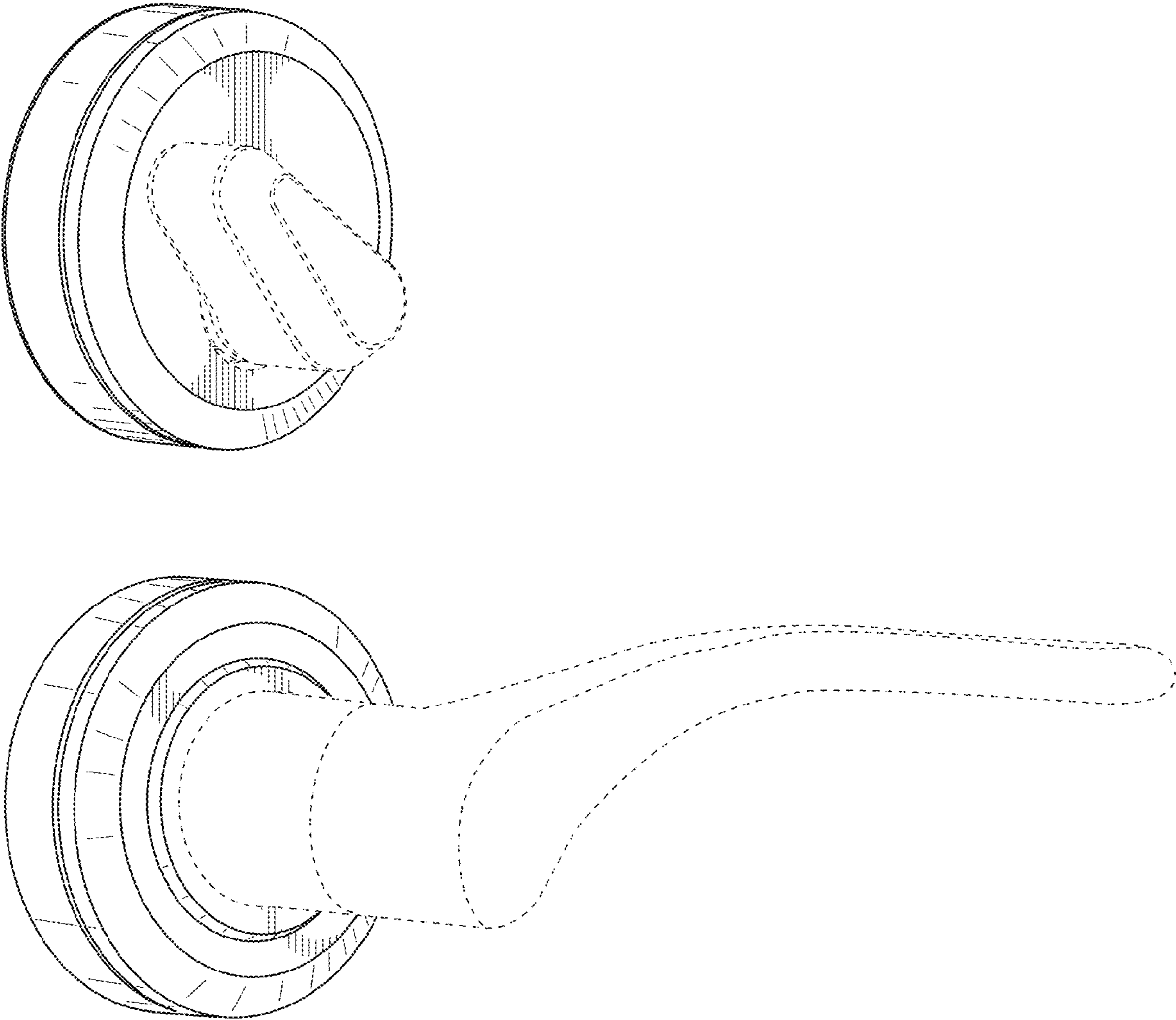


FIG. 1

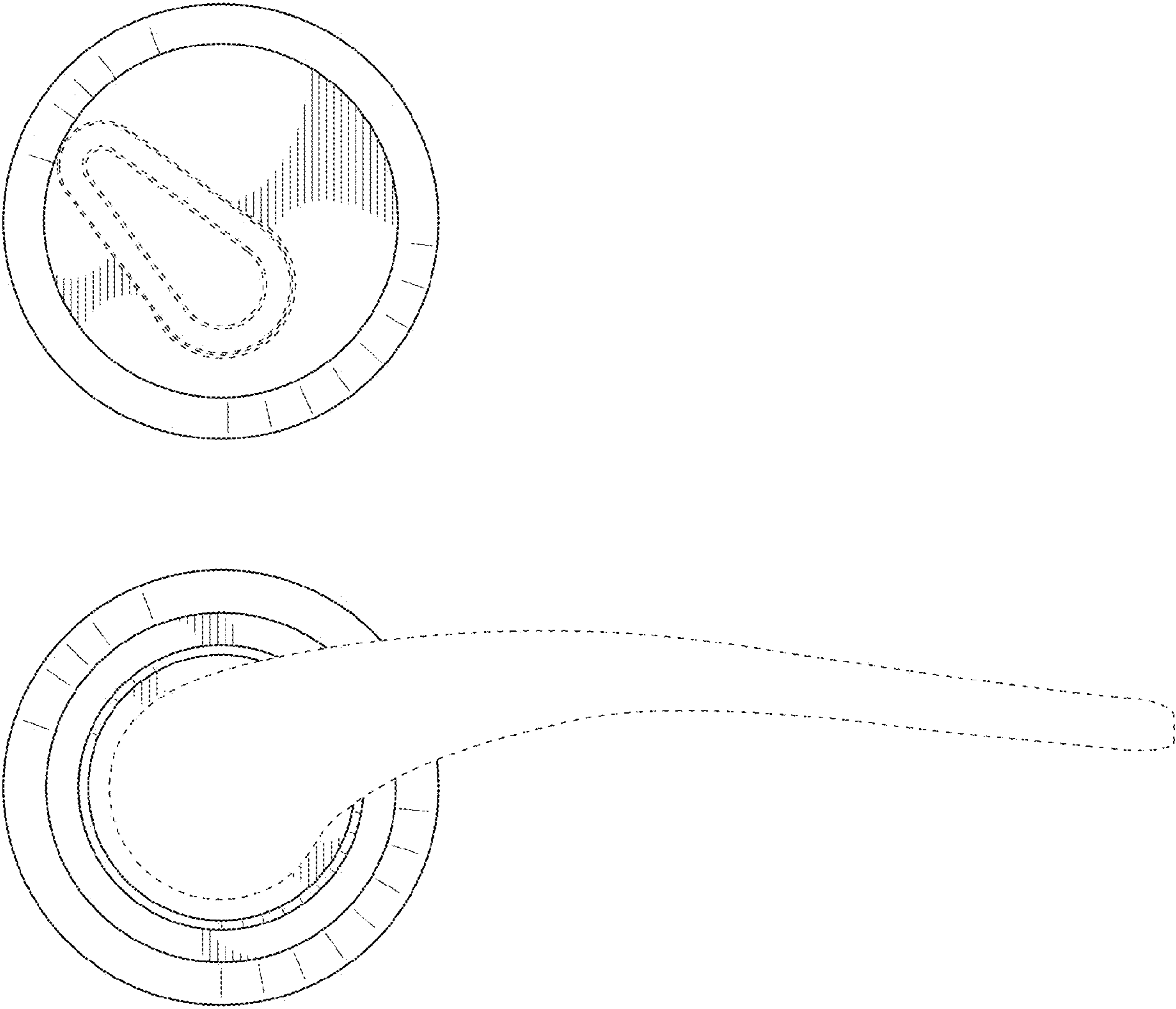


FIG. 2

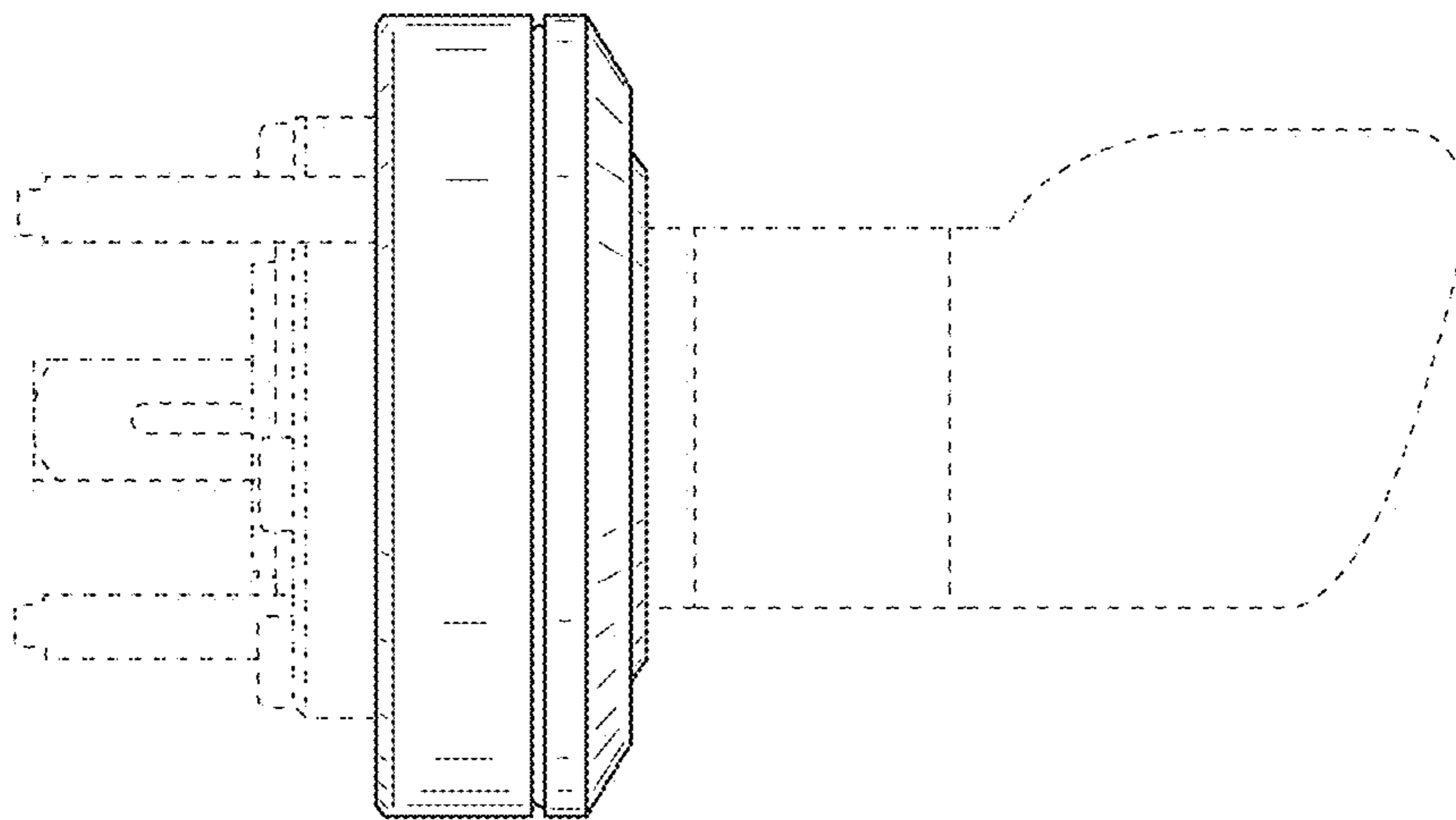
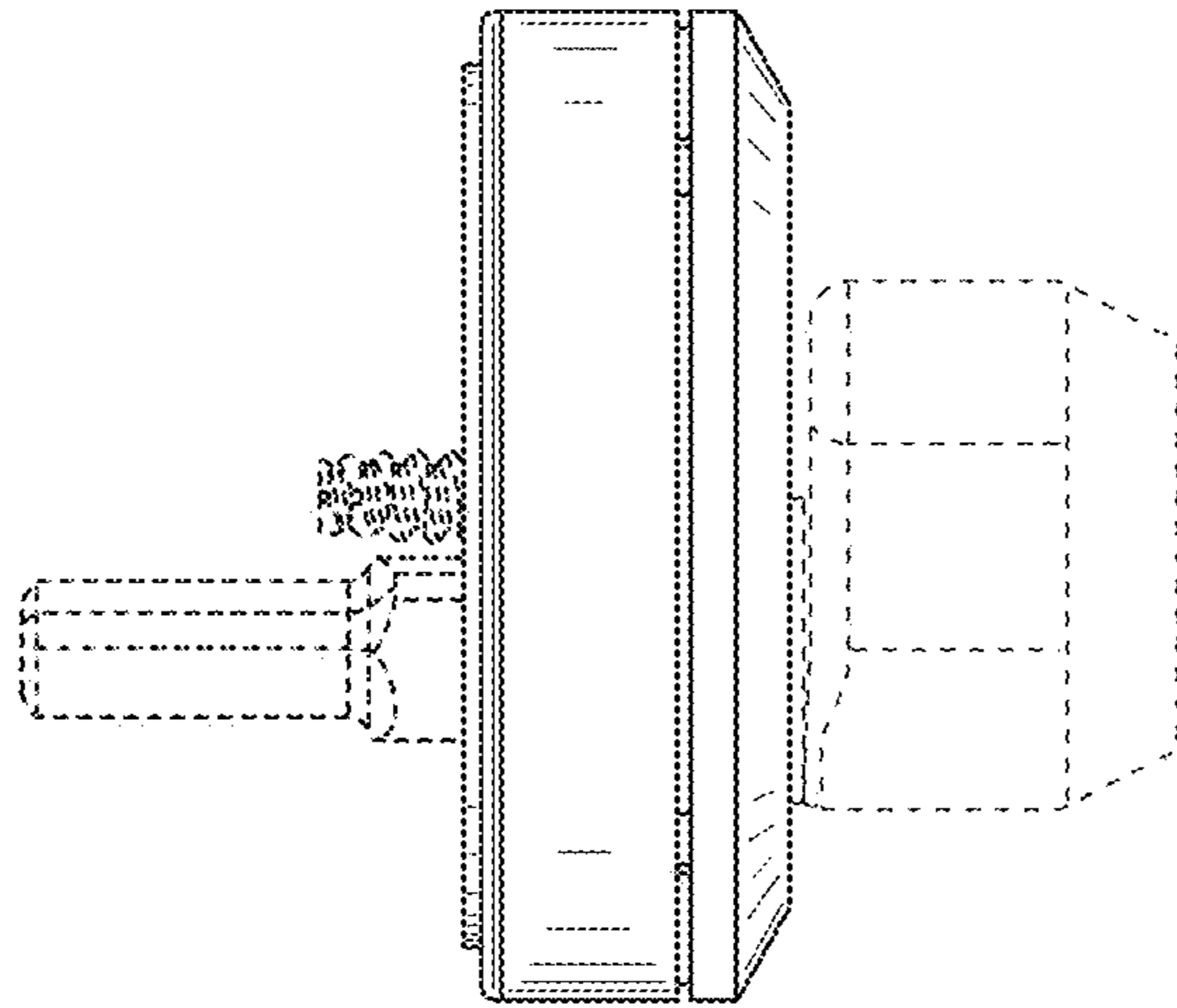


FIG. 3

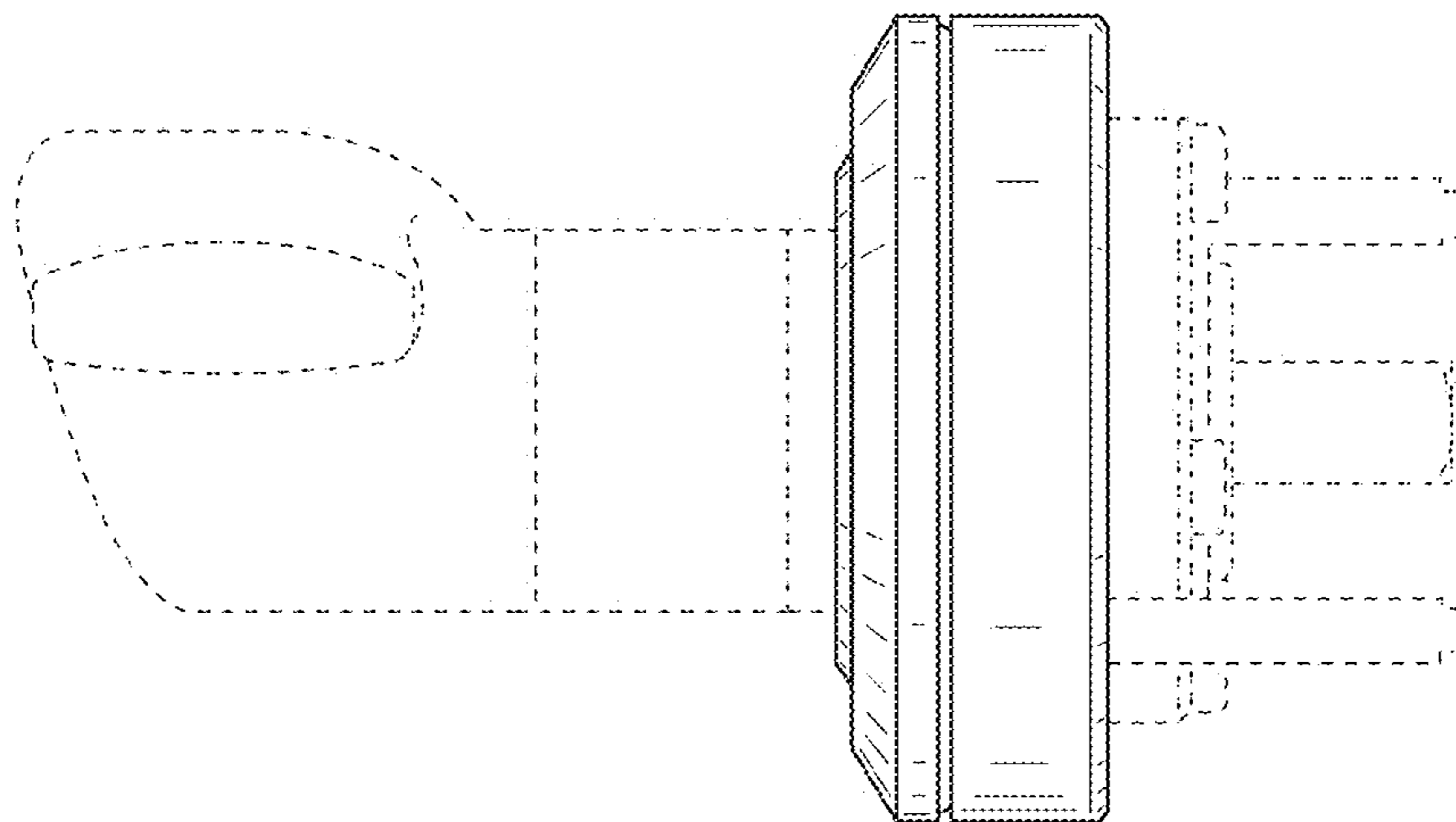
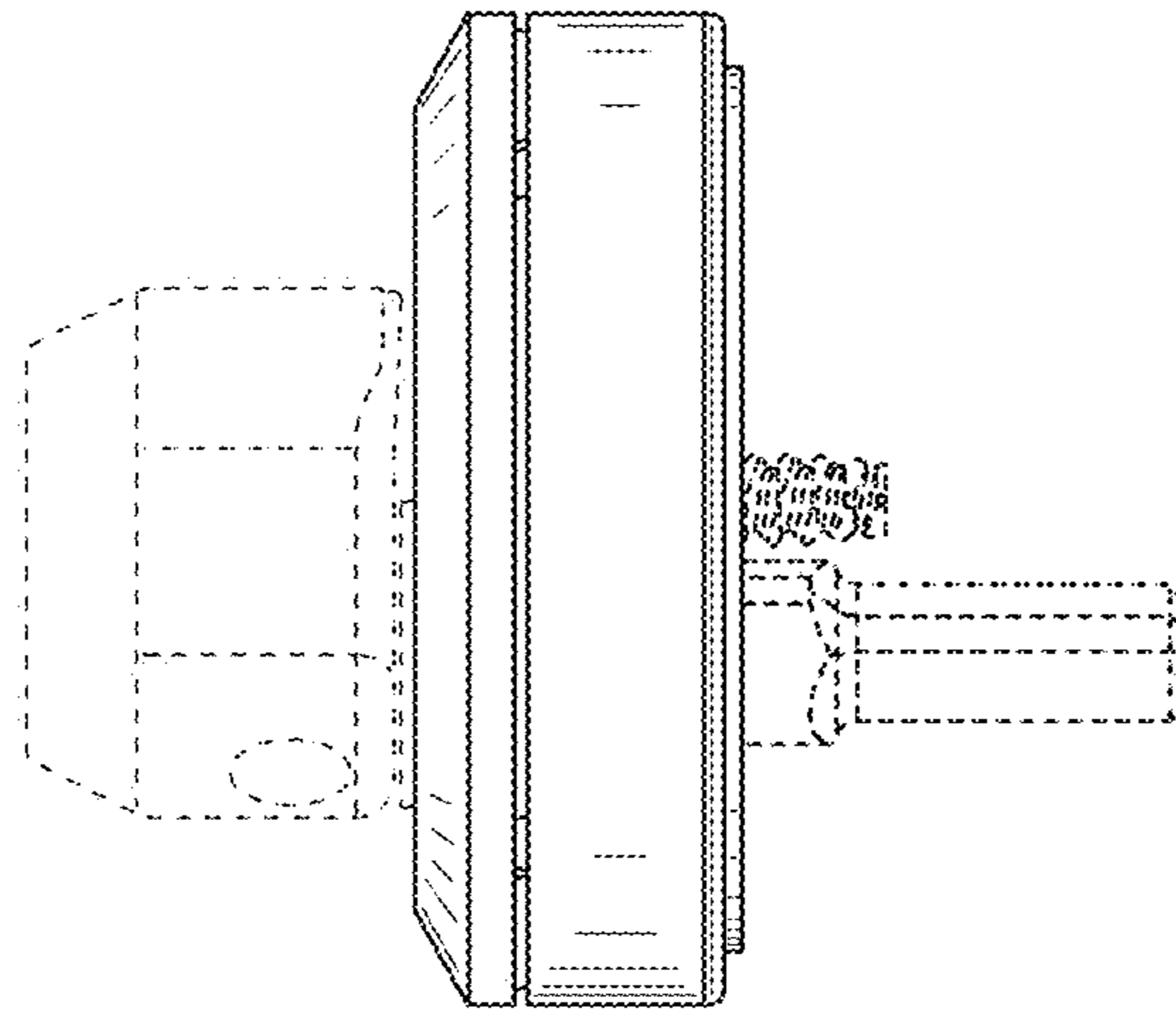


FIG. 4