



US00D942240S

(12) **United States Design Patent**
Marsden

(10) **Patent No.:** **US D942,240 S**
(45) **Date of Patent:** **** Feb. 1, 2022**

(54) **CATCH**

(71) Applicant: **Elbee Pty Ltd.**, Bondi Junction (AU)
(72) Inventor: **Andrew Marsden**, Hingham, MA (US)
(73) Assignee: **Elbee Pty Ltd.**, Bondi Junction (AU)
(**) Term: **15 Years**
(21) Appl. No.: **29/724,074**

(22) Filed: **Feb. 12, 2020**
(51) **LOC (13) Cl.** **08-07**
(52) **U.S. Cl.**
USPC **D8/330**
(58) **Field of Classification Search**
USPC D8/330, 331, 339, 343, 344, 345, 300,
D8/302, 380, 349, 353, 354
CPC E05B 65/0014; E05B 65/46; E05B 13/00;
Y10S 292/65; Y10S 292/12
See application file for complete search history.

(56) **References Cited**

U.S. PATENT DOCUMENTS

D385,474 S *	10/1997	Rechberg	D8/306
D419,423 S *	1/2000	Ayrest	D8/339
D442,463 S *	5/2001	Tieu	D8/330
D451,367 S *	12/2001	Nakamura	D8/330
D530,575 S *	10/2006	Taylor	D8/1
D607,304 S *	1/2010	Stuckey	D8/331
D662,397 S *	6/2012	Stuckey	D8/343
D775,509 S *	1/2017	Marsden	D8/331
D800,534 S *	10/2017	Marsden	D8/331
D889,933 S *	7/2020	Marsden	D8/339
D928,584 S *	8/2021	Marsden	D8/331
D928,587 S *	8/2021	Marsden	D8/343
2020/0378152 A1 *	12/2020	Zhang	E05C 3/24

OTHER PUBLICATIONS

[No Author Listed] Image of product listing for self-adhesive locks. Clippasafe. <https://www.clippasafe.co.uk/products/self-adhesive-locks>. Publicly available at least as early as Jan. 13, 2020, 1 page.
[No Author Listed] Product listing for Twin Pin Latches—2 Pack. Dreambaby. <https://www.dream-baby.com/home-safety/locks-latches/1-twin-pin-latches-2pcs.html>. Publicly available at least as early as Feb. 11, 2019, 3 pages.
U.S. Appl. No. 29/724,072, filed Feb. 12, 2020, Marsden.

* cited by examiner

Primary Examiner — Keli L Hill
Assistant Examiner — Harold E Blackwell, II
(74) *Attorney, Agent, or Firm* — Wolf, Greenfield & Sacks, P.C.

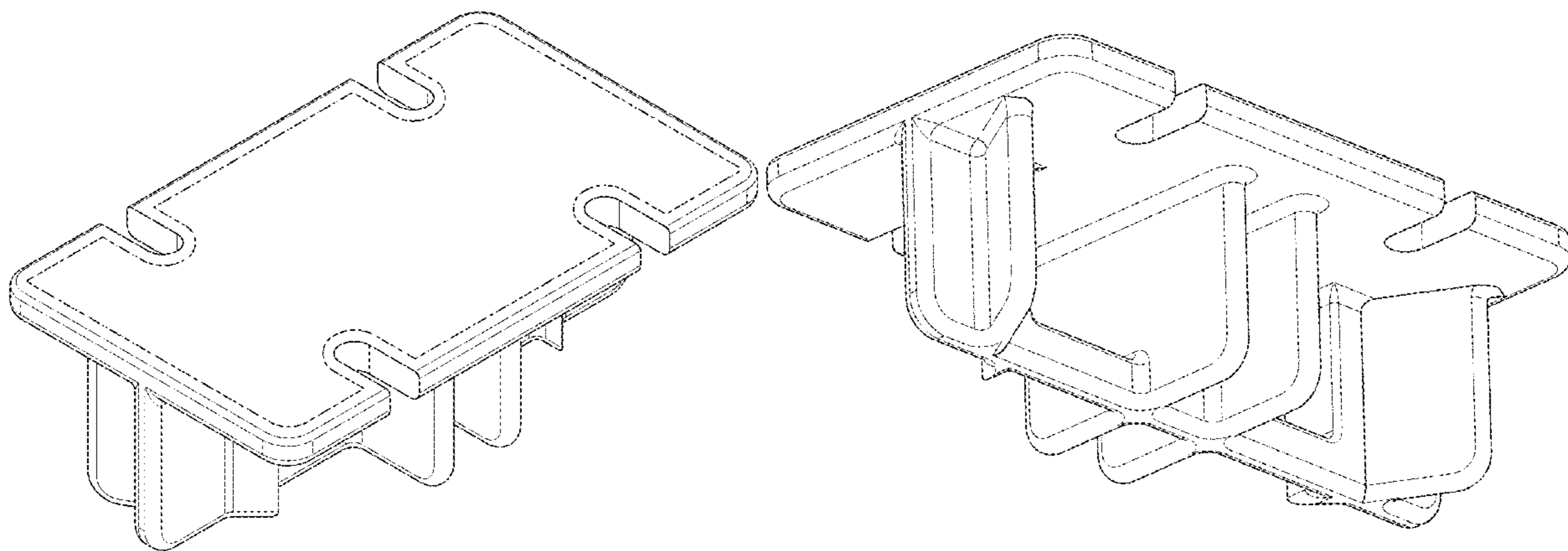
(57) **CLAIM**

The ornamental design for a catch, as shown and described.

DESCRIPTION

FIG. 1 is a top, front, and left side perspective view of a catch according to my new design;
FIG. 2 is a left side elevation view thereof;
FIG. 3 is a right side elevation view thereof;
FIG. 4 is a rear elevation view thereof;
FIG. 5 is a front elevation view thereof;
FIG. 6 is a top plan view thereof;
FIG. 7 is bottom plan view thereof; and,
FIG. 8 is a bottom, rear, and right side perspective view thereof.
The dot-dash broken lines represent boundaries of the claimed design and form no part of the claimed design. The dash-dash broken lines depict portions of the catch that form no part of the claimed design.

1 Claim, 8 Drawing Sheets



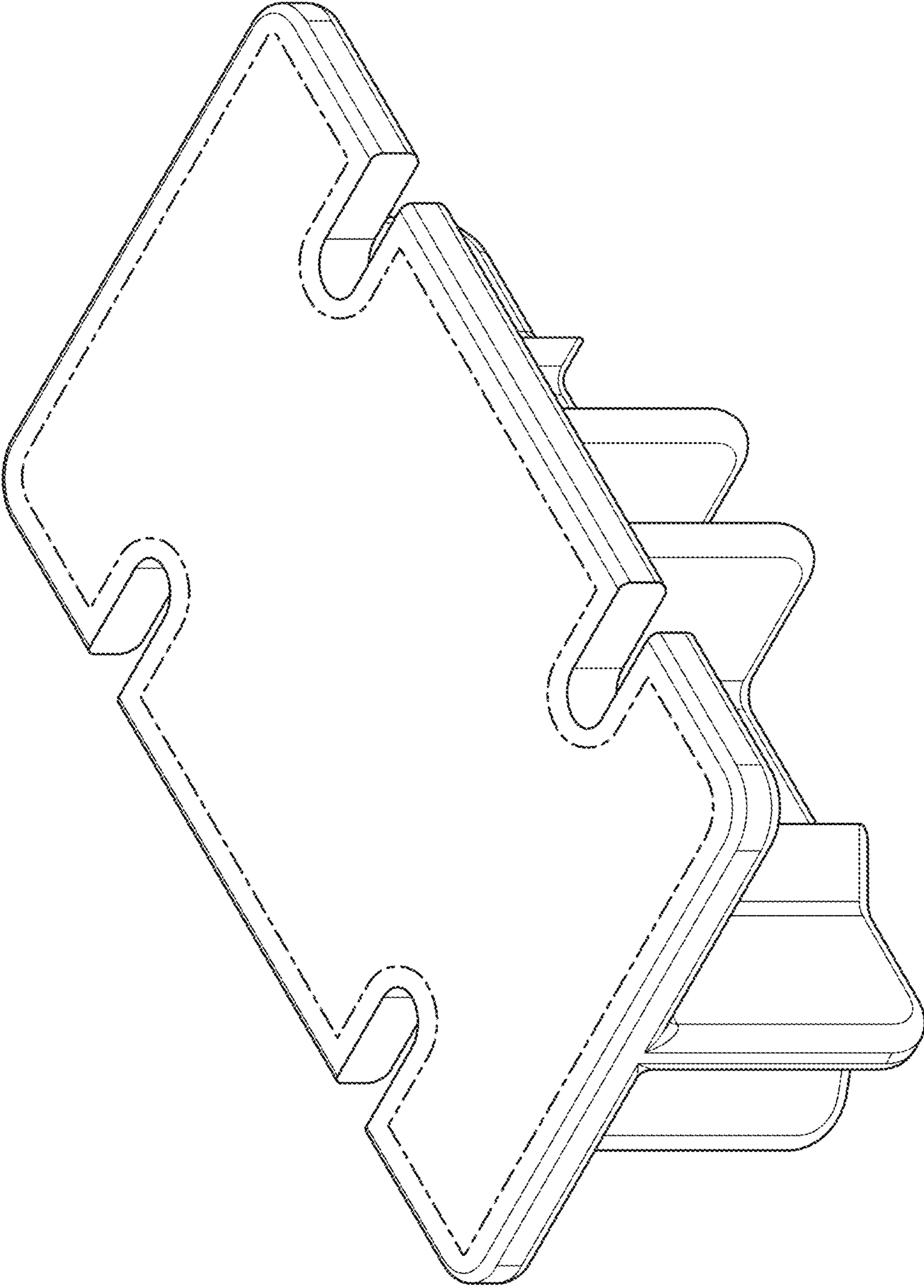


FIG. 1

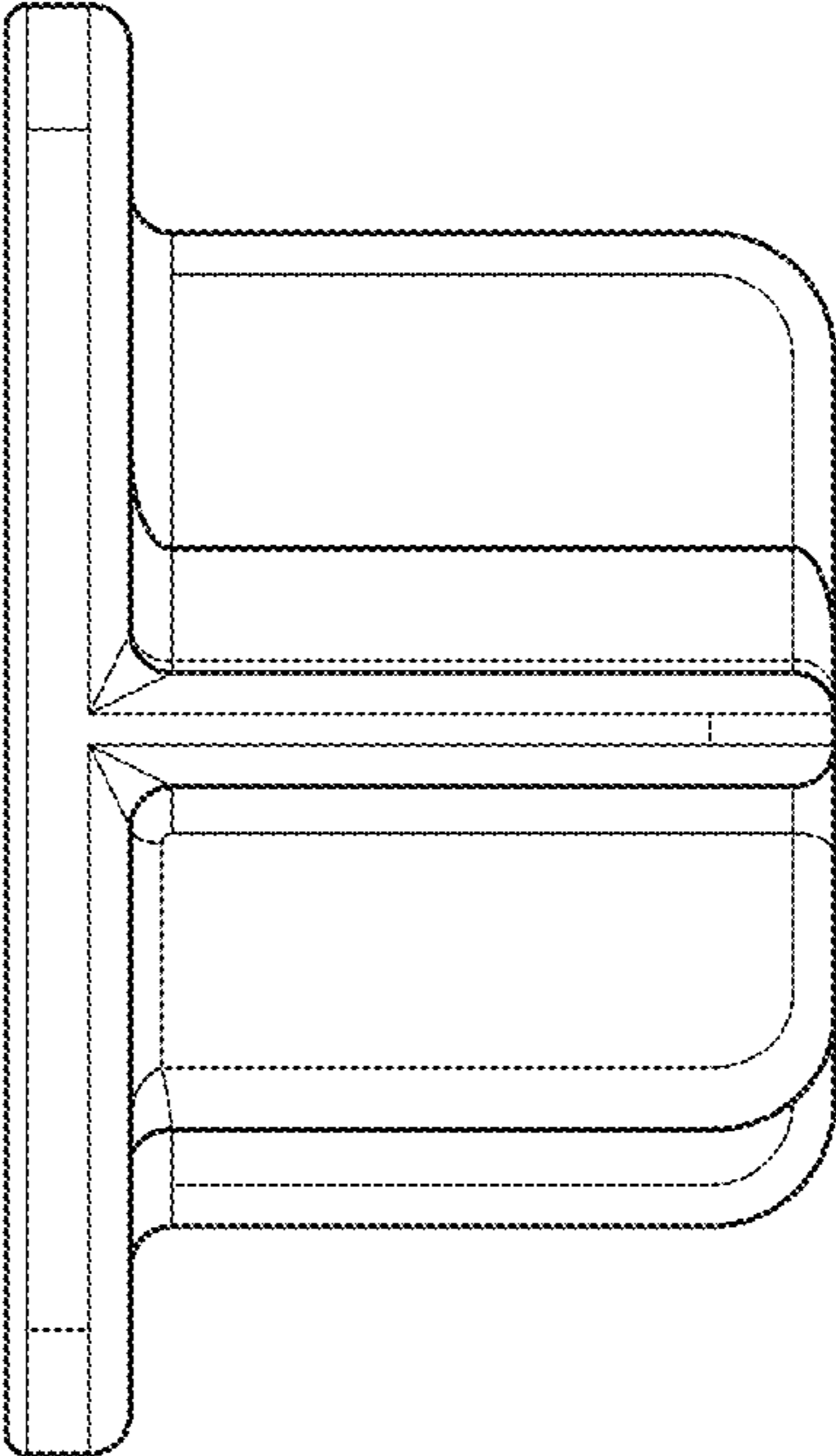


FIG. 2

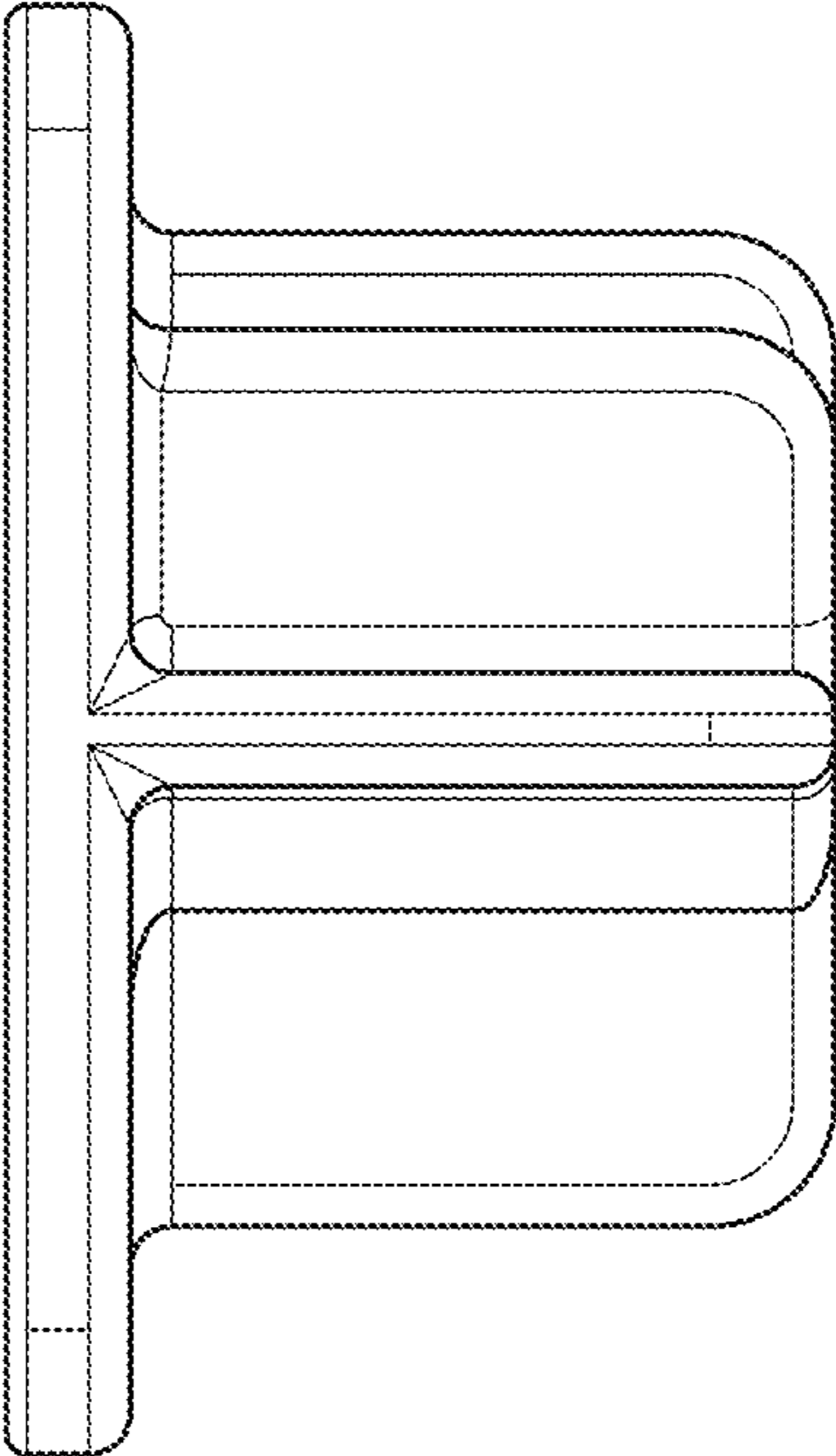


FIG. 3

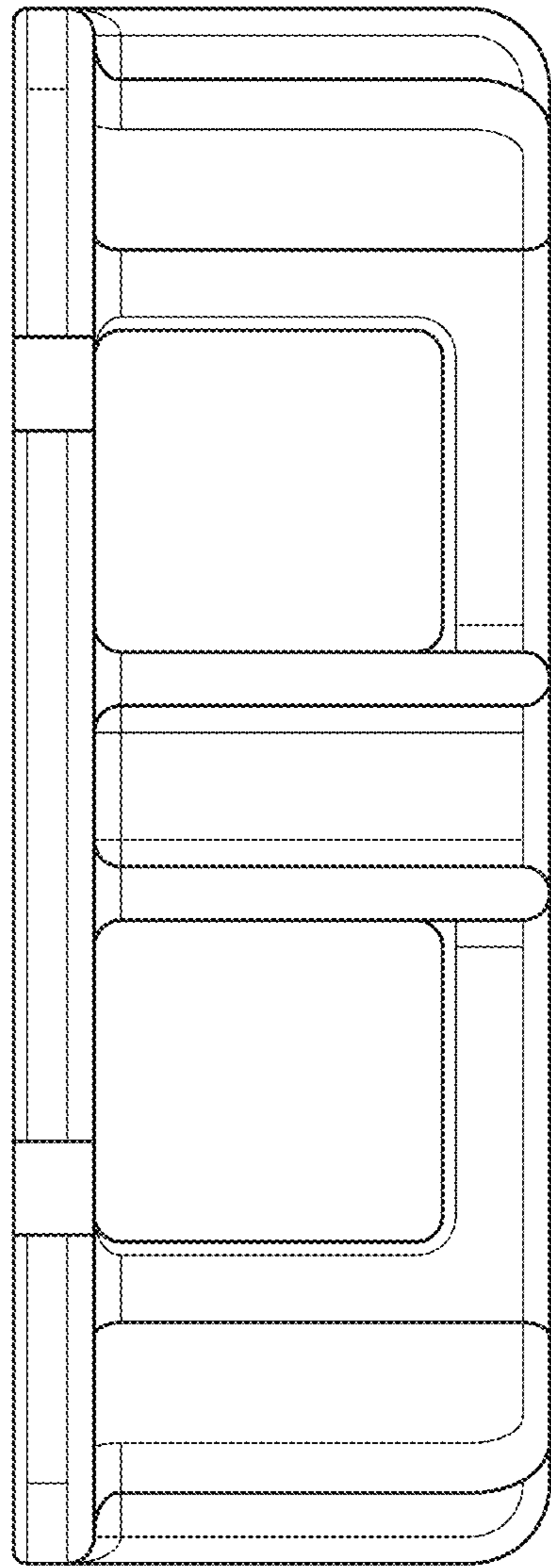


FIG. 4

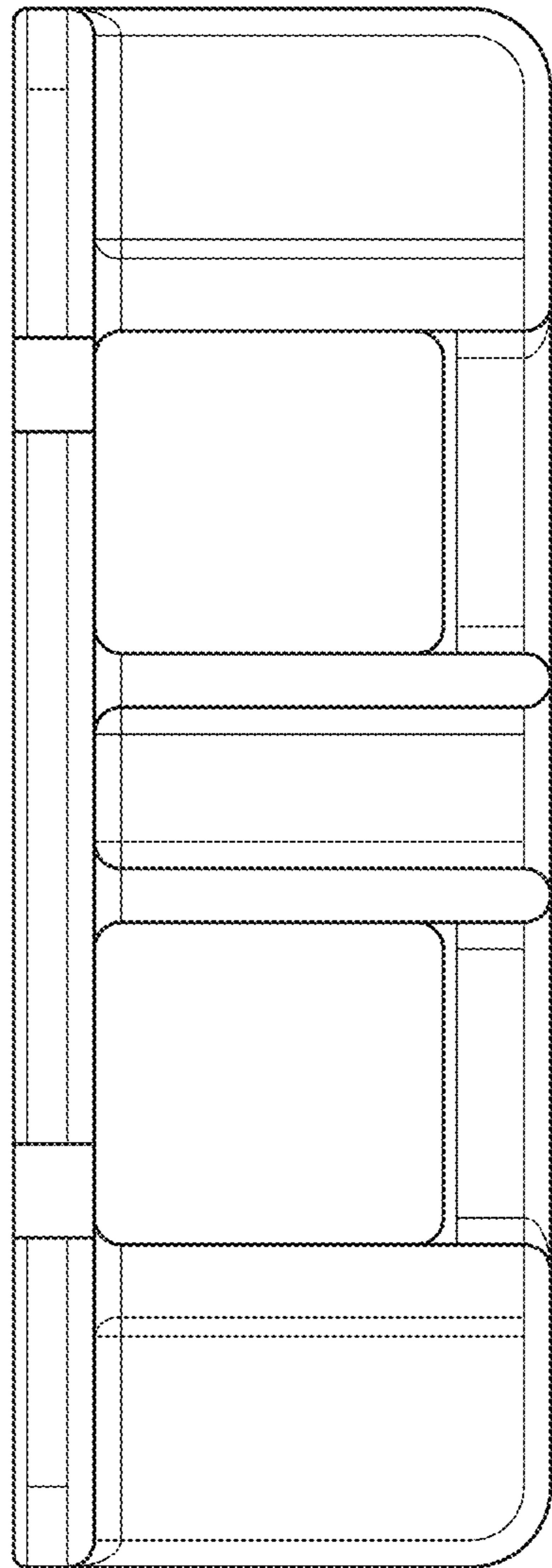


FIG. 5

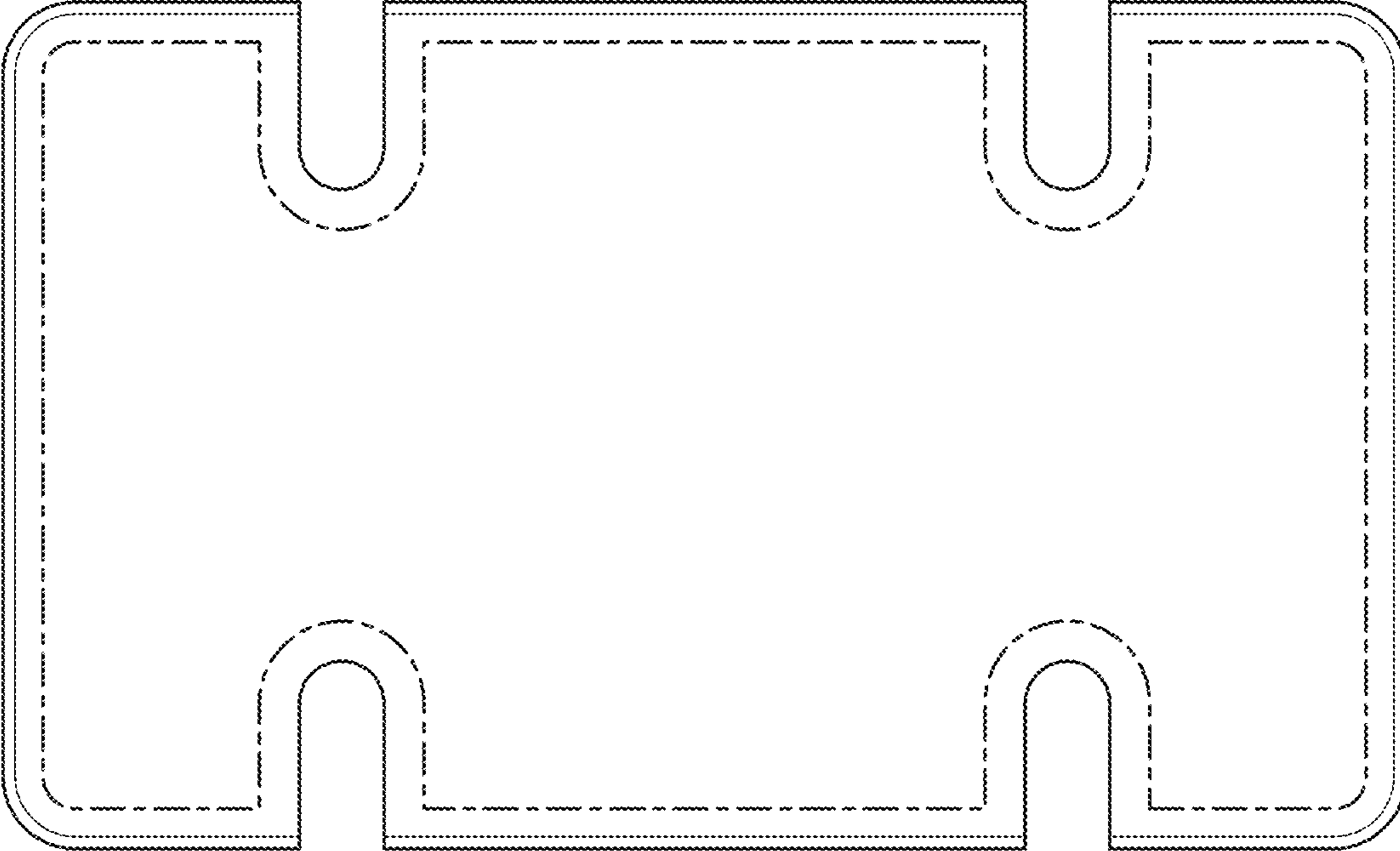


FIG. 6

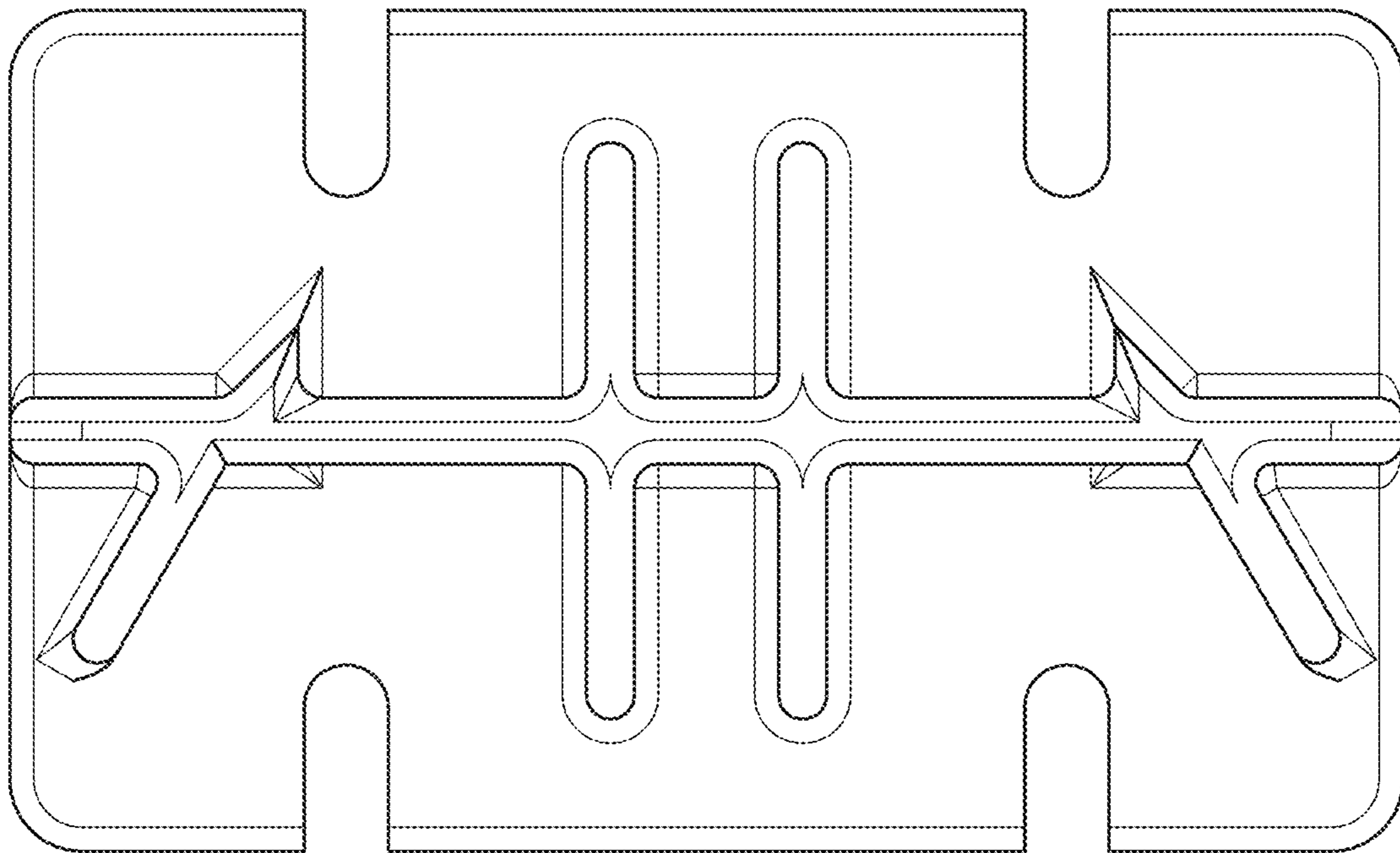


FIG. 7

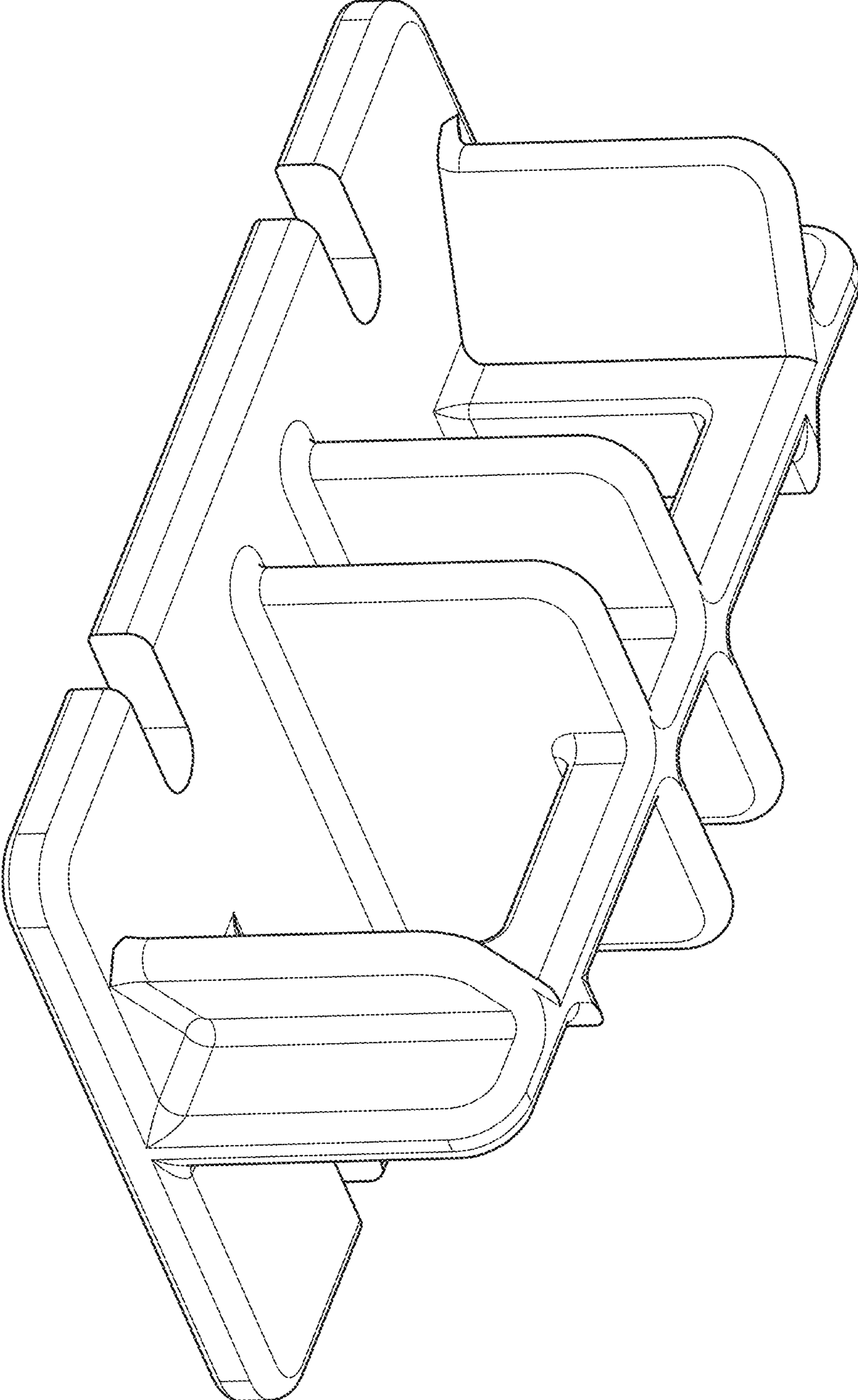


FIG. 8