



US00D942239S

(12) **United States Design Patent**
Stringer

(10) **Patent No.:** **US D942,239 S**

(45) **Date of Patent:** **** Feb. 1, 2022**

(54) **DOOR HANDLE**

(71) Applicant: **Brayden Stringer**, Blanchard, OK (US)

(72) Inventor: **Brayden Stringer**, Blanchard, OK (US)

(73) Assignee: **Brayden Stringer**, Abilene, TX (US)

(**) Term: **15 Years**

(21) Appl. No.: **29/734,842**

(22) Filed: **May 15, 2020**

(51) **LOC (13) Cl.** **08-06**

(52) **U.S. Cl.**

USPC **D8/307**

(58) **Field of Classification Search**

USPC D8/300–302, 307, 308, 331, 343, 363,
D8/367, 371, 394, 395, 398; D6/513,
D6/567, 572

CPC Y10T 74/20612; Y10T 74/2014; Y10T
74/20696; Y10T 74/20396; Y10T 74/206;
Y10T 74/20618; Y10T 74/19251; Y10T
74/2011; Y10T 29/49826; Y10T
74/20213; Y10T 74/20822; Y10T 16/459;
Y10S 292/27; Y10S 292/53; E05Y
2201/244; E05Y 2400/86; E05F 11/54;
E05F 15/616; E05B 1/0053; E05B
1/0015; E05B 1/0069

See application file for complete search history.

(56) **References Cited**

U.S. PATENT DOCUMENTS

D324,414	S	*	3/1992	Bonnell	D23/252
5,983,454	A		11/1999	Hartselle, III		
6,189,183	B1	*	2/2001	Hartselle, III	E05B 1/0015
						16/412
6,289,557	B1	*	9/2001	Manson	E05B 1/0053
						16/412
D580,734	S	*	11/2008	Martin	D8/307
D591,143	S	*	4/2009	Ernst	D8/370
D613,151	S	*	4/2010	Goodman	D8/367

8,522,482	B2		9/2013	Buck		
D715,627	S	*	10/2014	Pan	D8/371
D806,501	S		1/2018	Chiang		
D838,641	S		1/2019	Ojea		
D850,236	S		6/2019	Yu		
2009/0145037	A1	*	6/2009	Michael	E05F 11/54
						49/359

OTHER PUBLICATIONS

<https://www.amazon.com/Hands-Free-Sanitary-Door-Opener-SDO-1/dp/B009RO53UW>, Amazon, "Hands Free Door Opener," I.I. Williams [retrieved May 7, 2020].

<https://www.materialise.com/en/hands-free-door-opener>. Materialise, "Hands-Free 3D-Printed Door Opener to Help Against the Spread of Coronavirus" [retrieved May 7, 2020].

https://www.richlandsource.com/news/covid19/hess-industries-creates-hands-free-door-handle-attachment-for-hospitals/article_f12c485e-7dc7-11ea-93a8-c77d5314eae8.html, Richland Source, "Hess Industries Creates Hands Free Door Handle Attachment for Hospitals," Noah Jones, Apr. 16, 2020 [retrieved May 7, 2020].

* cited by examiner

Primary Examiner — Lauren R Calve
 (74) *Attorney, Agent, or Firm* — Anthony L. Rahhal;
 McAfee + Taft

(57) **CLAIM**

The ornamental design for a door handle, as shown and described.

DESCRIPTION

FIG. 1 is a perspective view of a door handle showing my new design.

FIG. 2 is a right side view thereof;

FIG. 3 is a left side view thereof;

FIG. 4 is a rear view thereof;

FIG. 5 is a front view thereof;

FIG. 6 is a top view thereof; and,

FIG. 7 is a bottom view thereof.

1 Claim, 7 Drawing Sheets

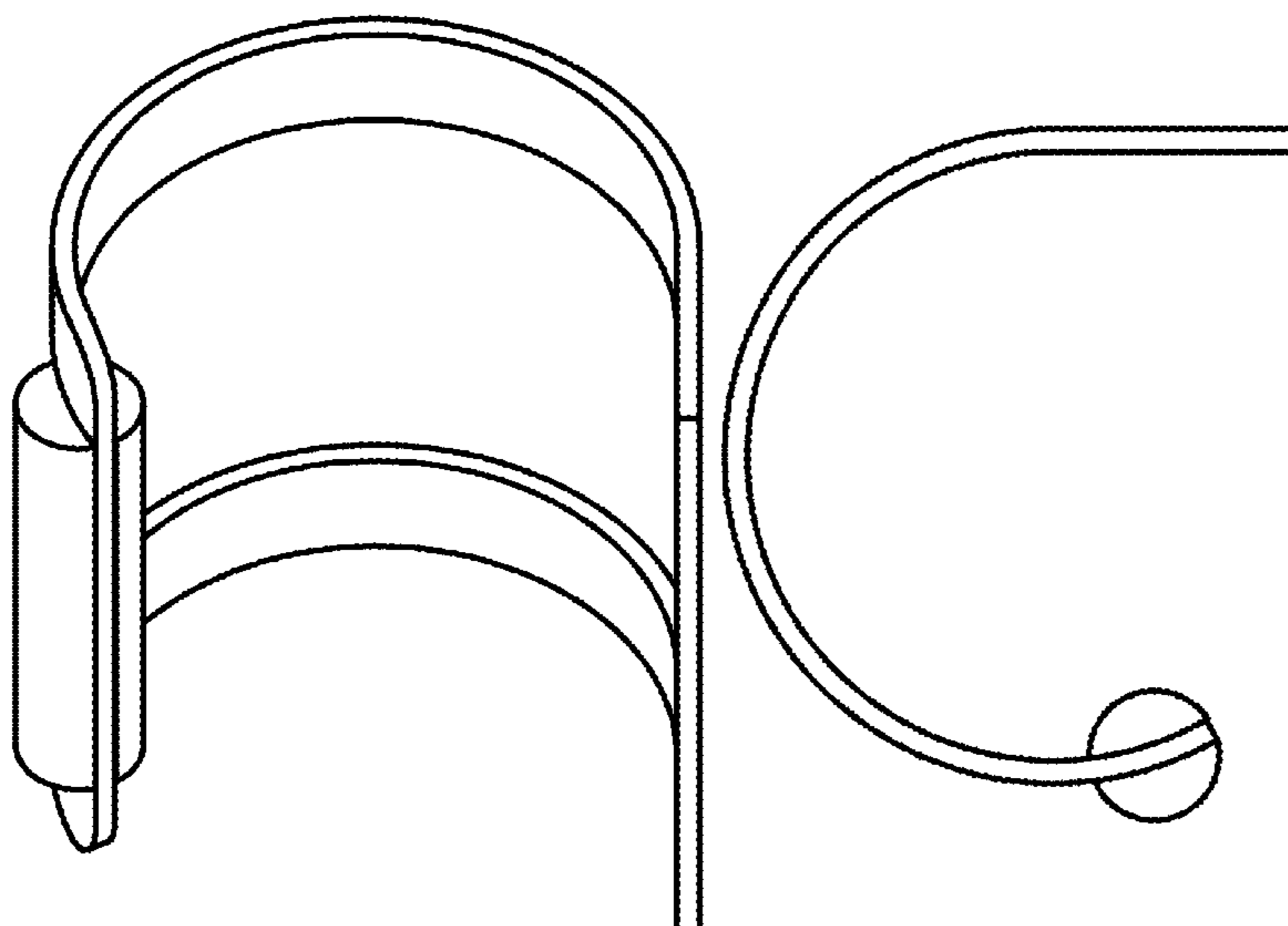


Fig. 1

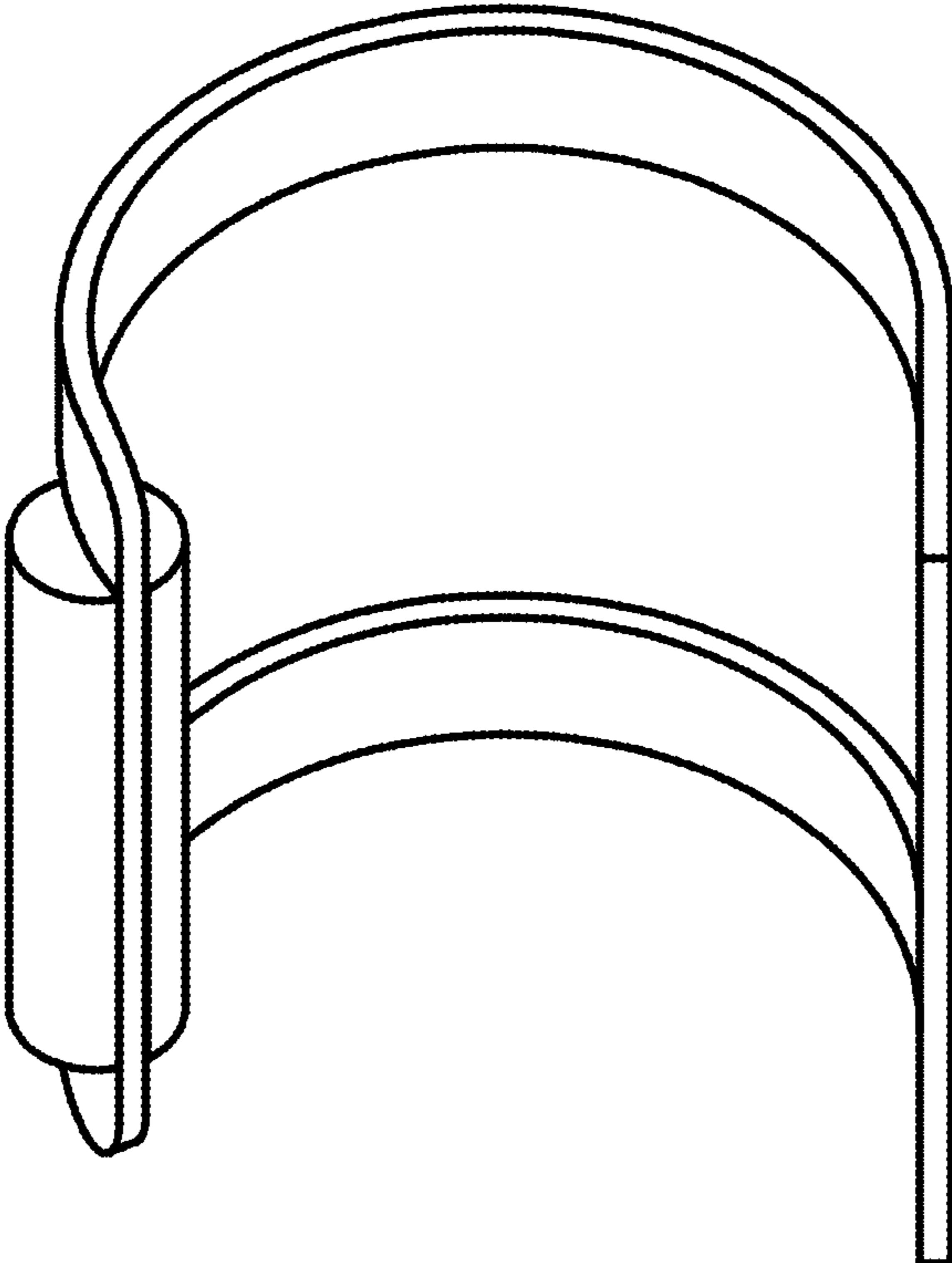


Fig. 2

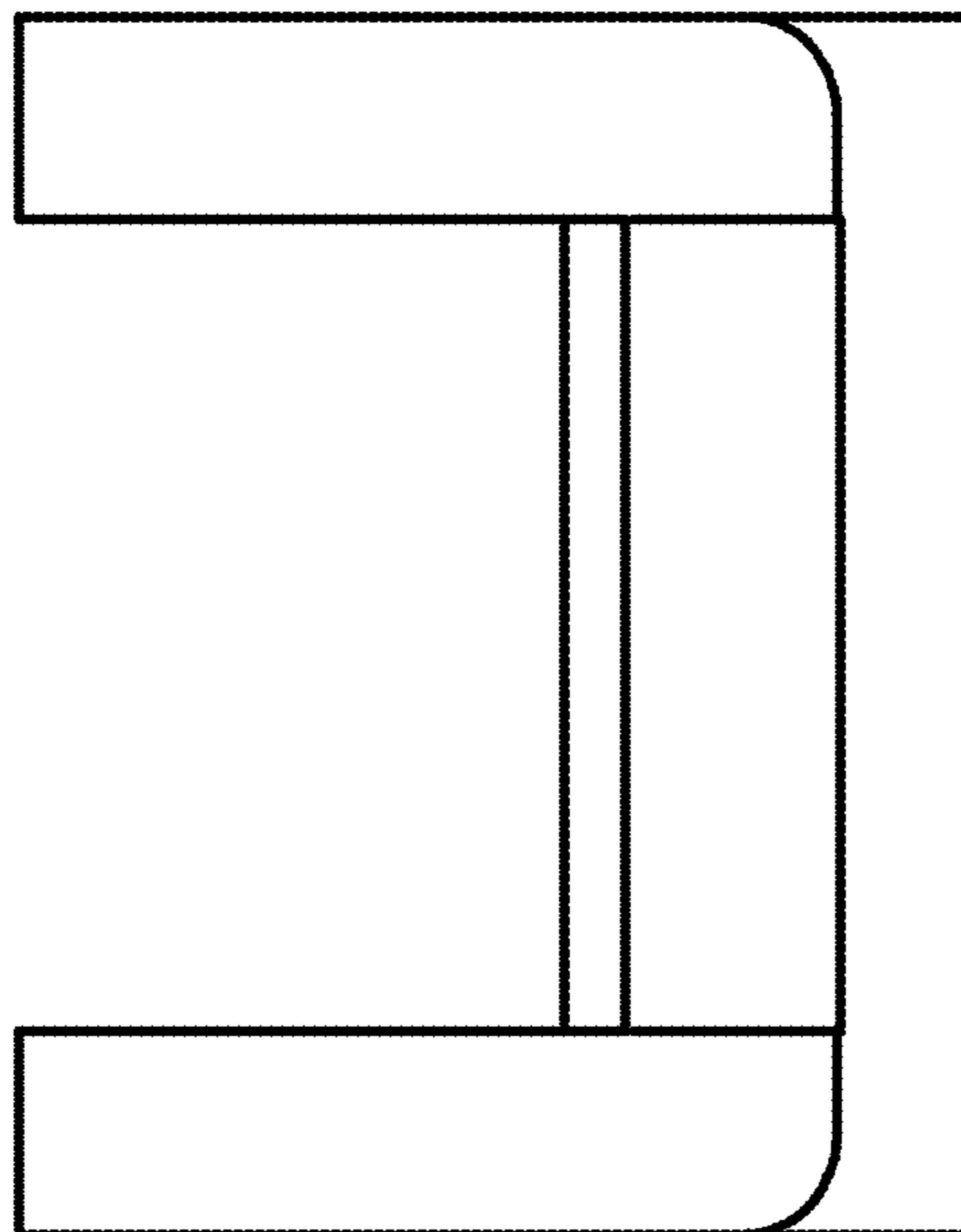


Fig. 3

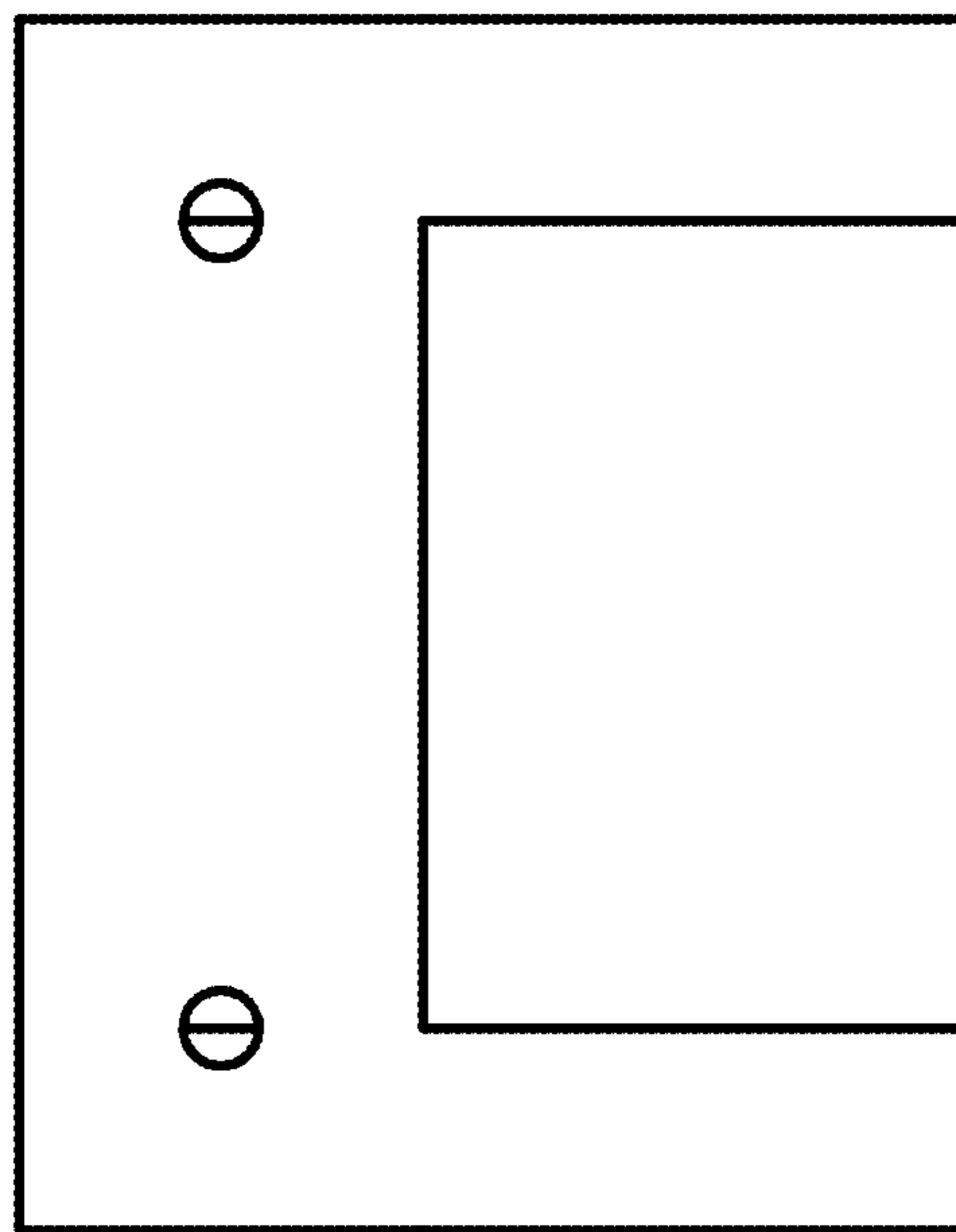


Fig. 4

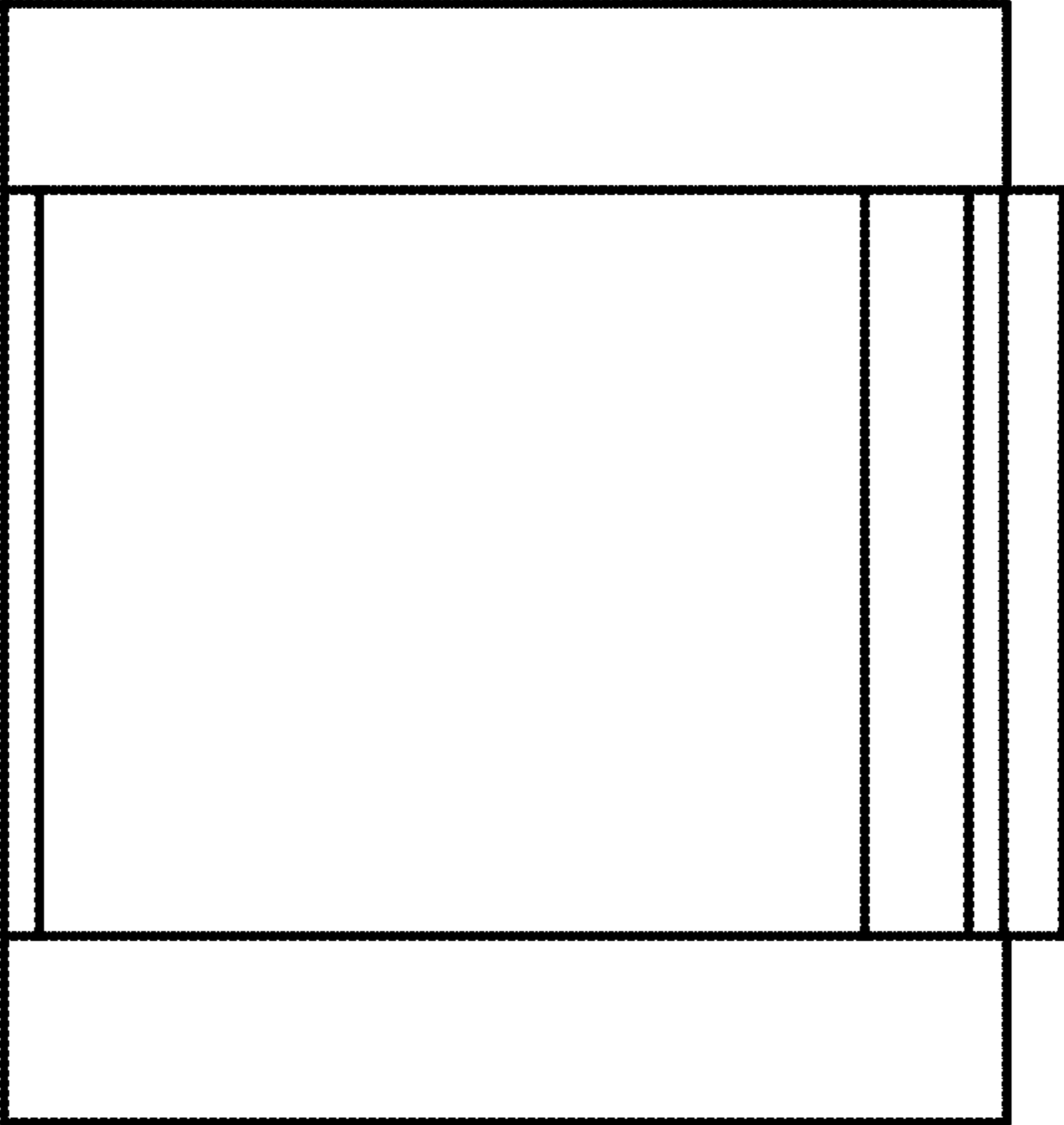


Fig. 5

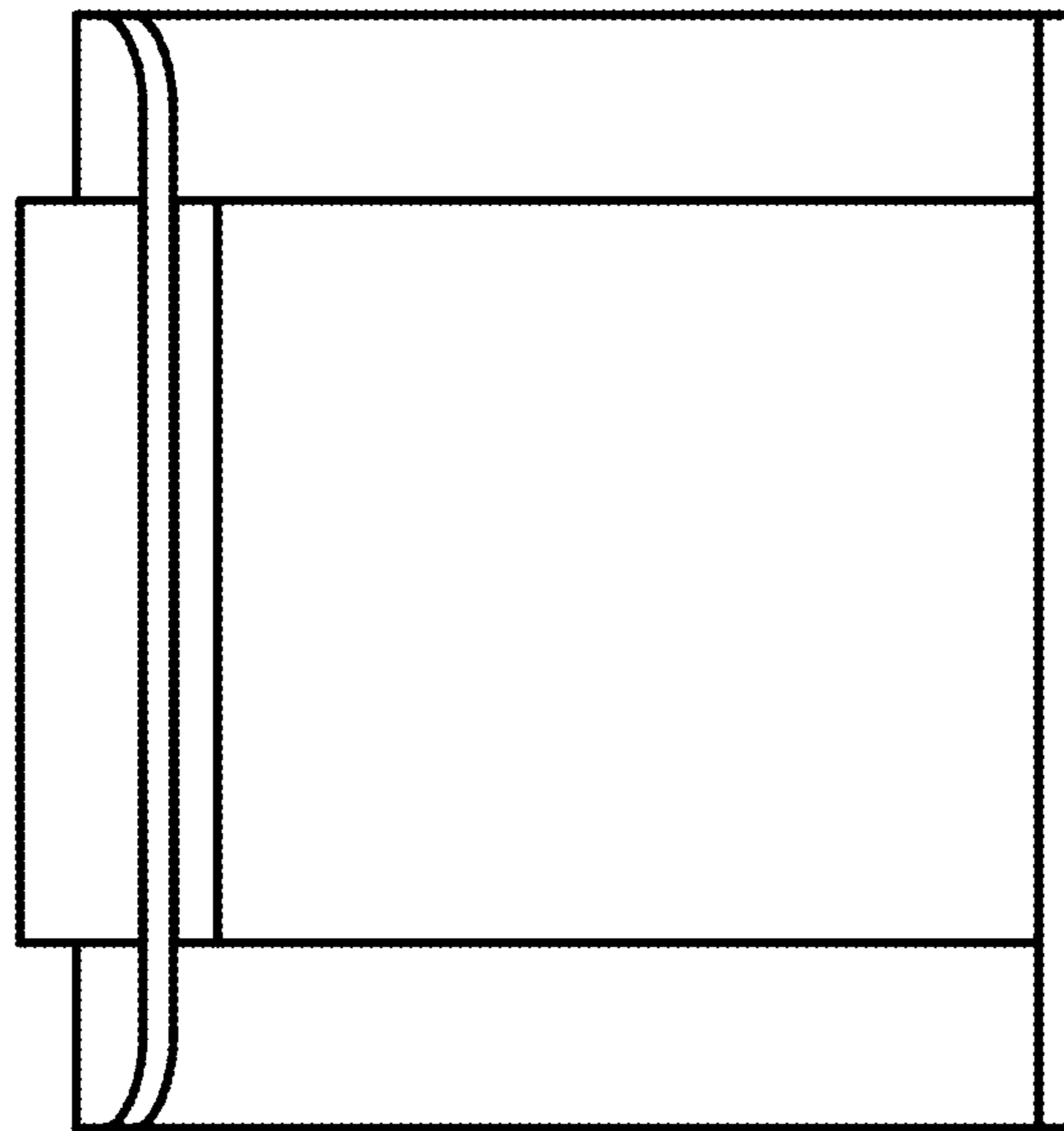


Fig. 6

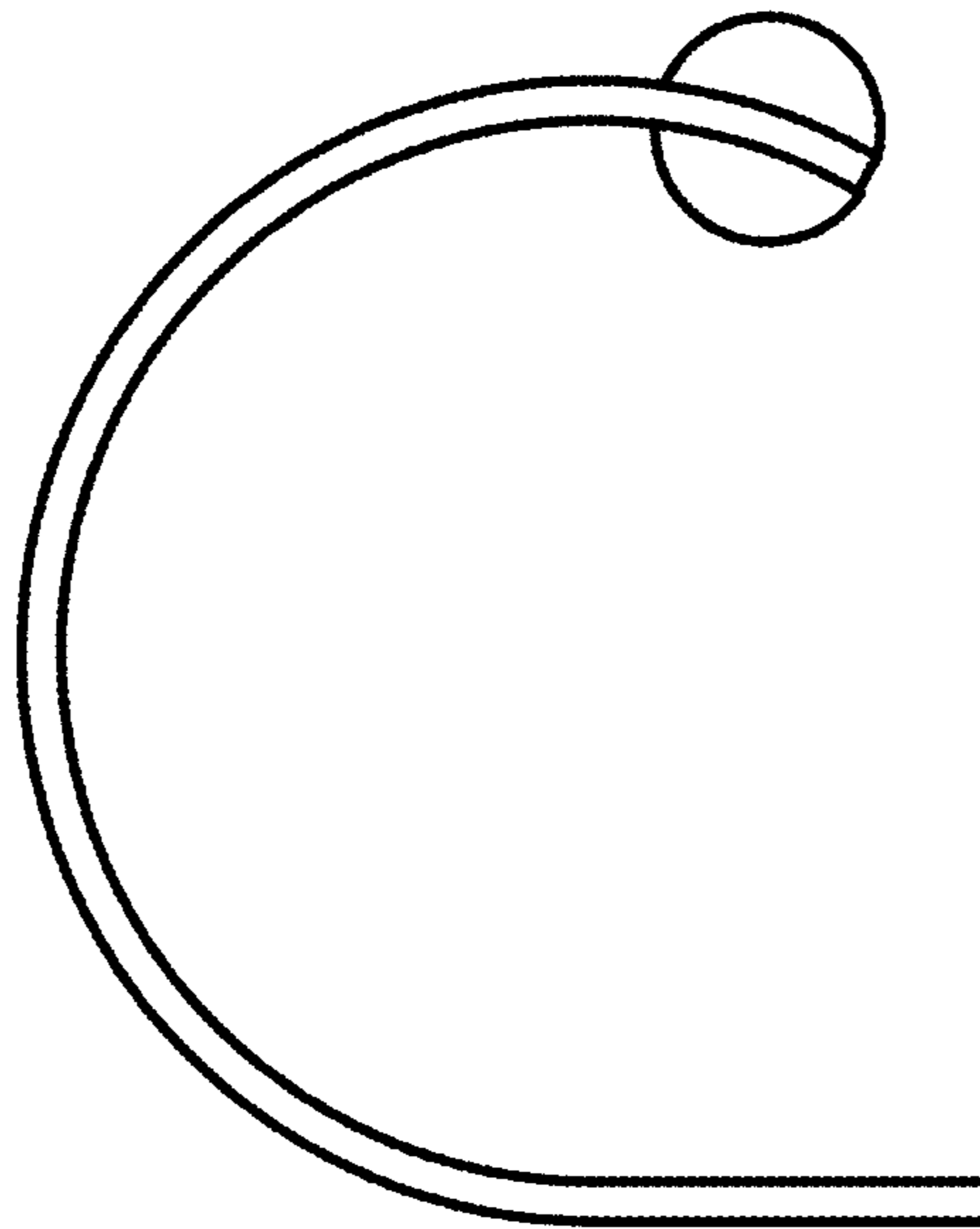


Fig. 7

