



US00D942237S

(12) **United States Design Patent**
Yang et al.

(10) **Patent No.: US D942,237 S**
(45) **Date of Patent: ** Feb. 1, 2022**

- (54) **PNEUMATIC NAILER**
- (71) Applicant: **Zhejiang Prulde Electric Appliance Co., Ltd., Zhejiang (CN)**
- (72) Inventors: **Weiming Yang, Zhejiang (CN); Ting Han, Zhejiang (CN)**
- (73) Assignee: **Zhejiang Prulde Electric Appliance Co., Ltd., Zhejiang (CN)**

- D553,931 S * 10/2007 Buck D8/68
- D572,556 S * 7/2008 Leasure D8/69
- D633,354 S * 3/2011 Buck D8/69
- 8,162,073 B2 * 4/2012 Krondorfer B25C 5/15
173/1
- 8,174,274 B2 * 5/2012 Lawrence G01N 27/24
324/686
- D677,544 S * 3/2013 Jerabek D8/68
- D678,027 S * 3/2013 Jerabek D8/68
- D680,400 S * 4/2013 Jerabek D8/68
- D717,625 S * 11/2014 Martone D8/68
- D843,803 S * 3/2019 Cooper D8/68

(**) Term: **15 Years**

(21) Appl. No.: **29/728,343**

(22) Filed: **Mar. 18, 2020**

(30) **Foreign Application Priority Data**

Sep. 18, 2019 (CN) 201930512626.4

(51) **LOC (13) Cl. 08-05**

(52) **U.S. Cl.**
USPC **D8/68**

(58) **Field of Classification Search**
USPC D8/61-70
CPC .. B25C 1/001; B25C 1/04; B25C 1/06; B25C
1/041; B25C 1/047

See application file for complete search history.

(56) **References Cited**

U.S. PATENT DOCUMENTS

- 5,180,091 A * 1/1993 Ota B25C 5/1689
227/120
- D435,769 S * 1/2001 Etter D8/68
- D475,597 S * 6/2003 Arai D8/68
- 6,913,180 B2 * 7/2005 Schuster B25C 1/005
227/109
- D512,621 S * 12/2005 Thomas D8/69
- D512,622 S * 12/2005 Thomas D8/69
- D514,412 S * 2/2006 Lawrence D8/68
- D552,954 S * 10/2007 Buck D8/69

(Continued)

OTHER PUBLICATIONS

“The 5 Best Nail Guns (2021 Review).” This Old House., Dec. 9, 2020 [online], [retrieved on Oct. 1, 2021]. Retrieved from the Internet <URL: <https://www.thisoldhouse.com/tools/21565973/best-nail-guns>>.*

(Continued)

Primary Examiner — Darlington Ly

(74) *Attorney, Agent, or Firm* — JCIP Global Inc.

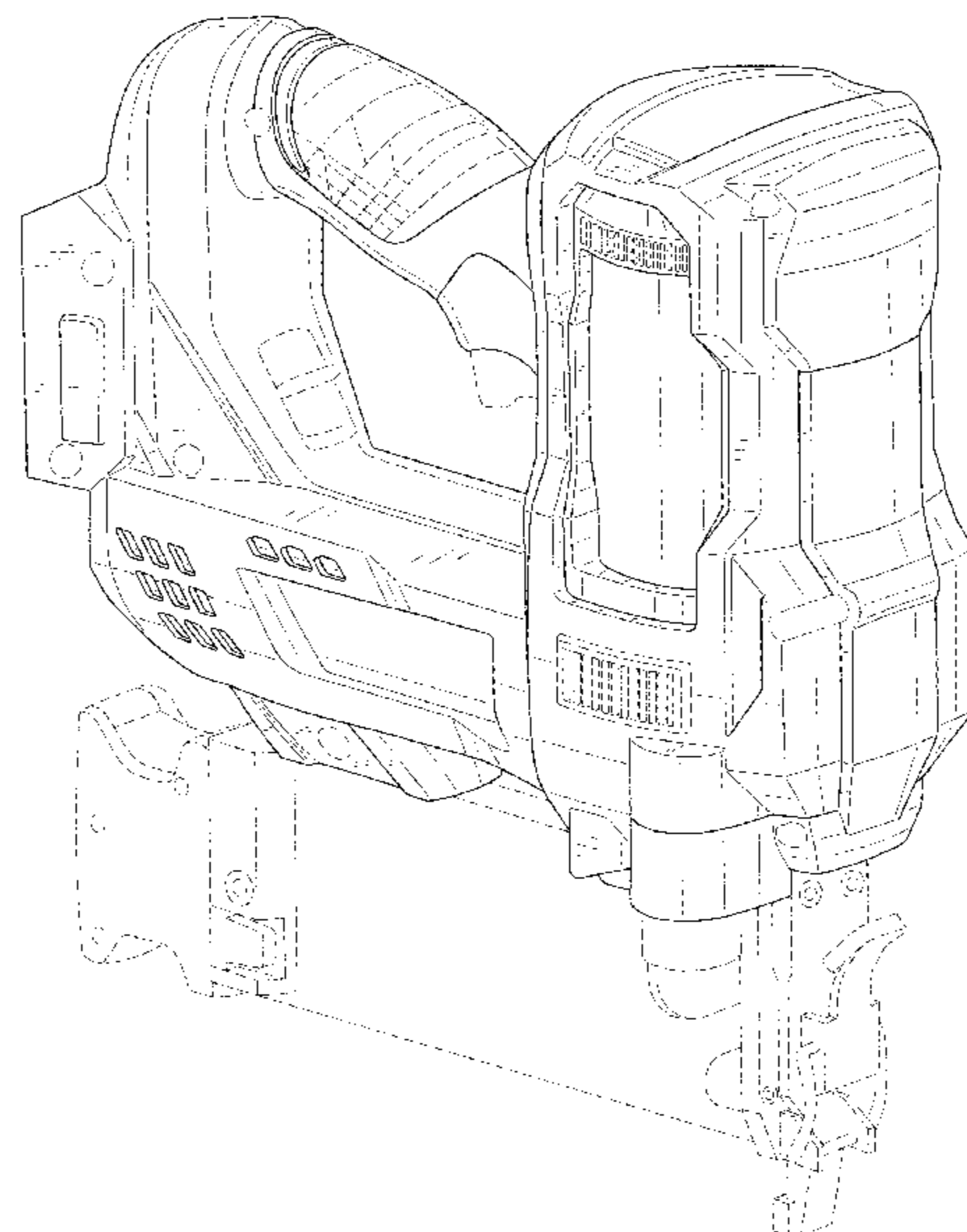
(57) **CLAIM**

The ornamental design for a pneumatic nailer, as shown and described.

DESCRIPTION

FIG. 1 is a perspective view of a pneumatic nailer embodying our new design;
FIG. 2 is front elevation view thereof;
FIG. 3 is a rear elevation view thereof;
FIG. 4 is a left side elevation view thereof;
FIG. 5 is a right side elevation view thereof;
FIG. 6 is a top plan view thereof; and,
FIG. 7 is a bottom plan view thereof.
The dash lines in the drawings represent the portions of the pneumatic nailer that form no part of the claimed design.

1 Claim, 5 Drawing Sheets



(56)

References Cited

U.S. PATENT DOCUMENTS

D852,014 S * 6/2019 Kirkpatrick D8/68
D852,015 S * 6/2019 Kirkpatrick D8/68
10,723,005 B2 * 7/2020 Meyer B25C 1/06
D911,139 S * 2/2021 Concari D8/68
D912,488 S * 3/2021 Kirkpatrick D8/68
D920,757 S * 6/2021 Concari D8/68
2010/0206933 A1 * 8/2010 Wu B25C 1/08
227/8
2014/0231485 A1 * 8/2014 Bauer B25C 1/04
227/8

OTHER PUBLICATIONS

Sarah Jones. "Best Air Framing Nailer for 2020: Reviews of 8 Pneumatic Nail Guns." This DIY Hammer, Dec. 6, 2019 [online], [retrieved on Oct. 1, 2021]. Retrieved from the Internet <URL: <https://thedihammer.com/best-framing-nailer-reviews/>>.*

Rob Robillard. "Best 18 Gauge Cordless Brad Nailer." Tool Box Buzz., Aug. 15, 2019 [online], [retrieved on Oct. 1, 2021]. Retrieved from the Internet <URL: <https://www.toolboxbuzz.com/cordless-tools/best-18-gauge-cordless-brad-nailer/>>.*

Martin Smith. "Top 9 Best Brad Nailers Reviewed Mar. 2019—Buyer's Guide." Top Best Reviews., Apr. 15, 2018 [online], [retrieved on Oct. 1, 2021]. Retrieved from the Internet <URL: <https://topbestreviewss.com/tools/best-brad-nailers-reviewed/>>.*

* cited by examiner

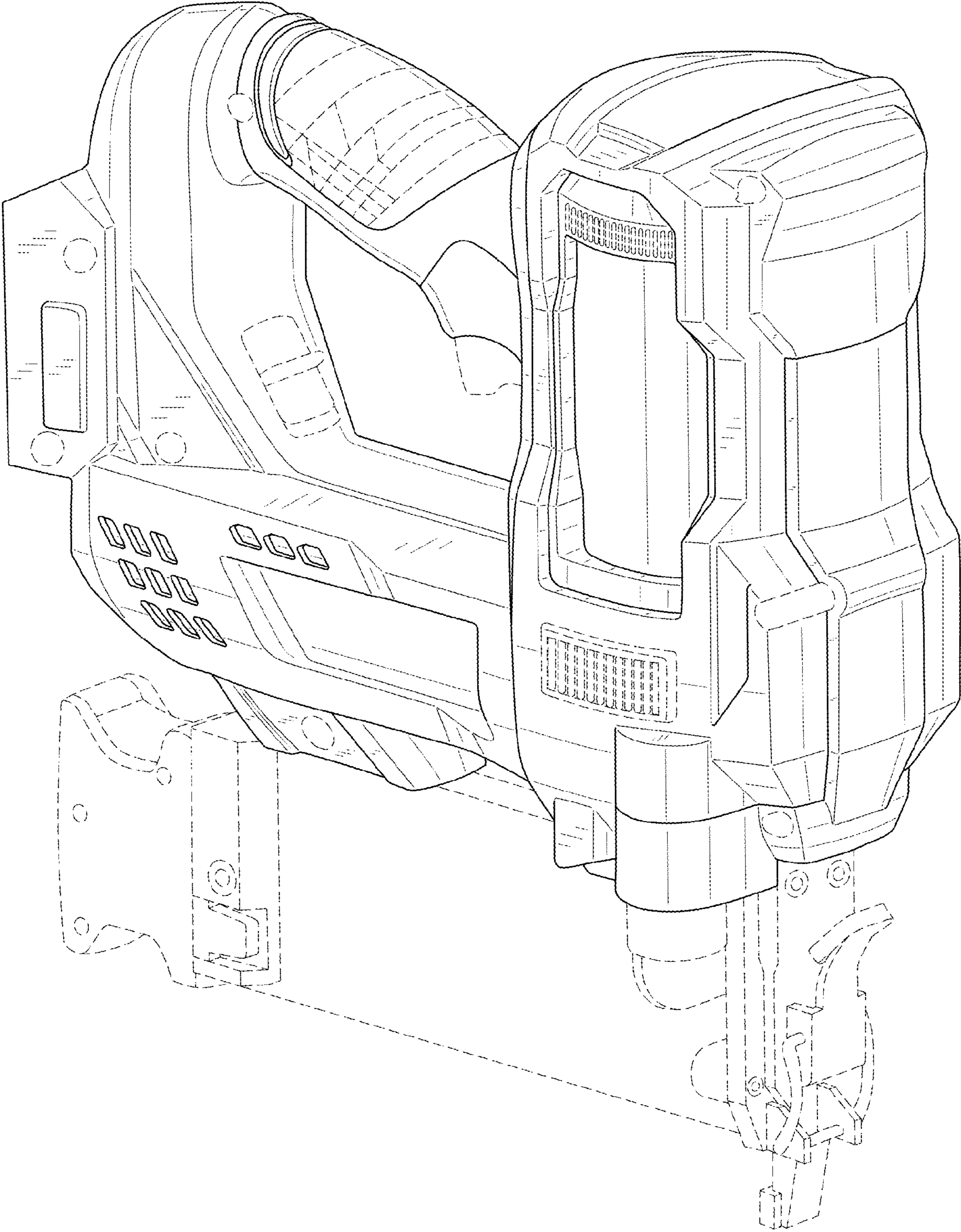


FIG. 1

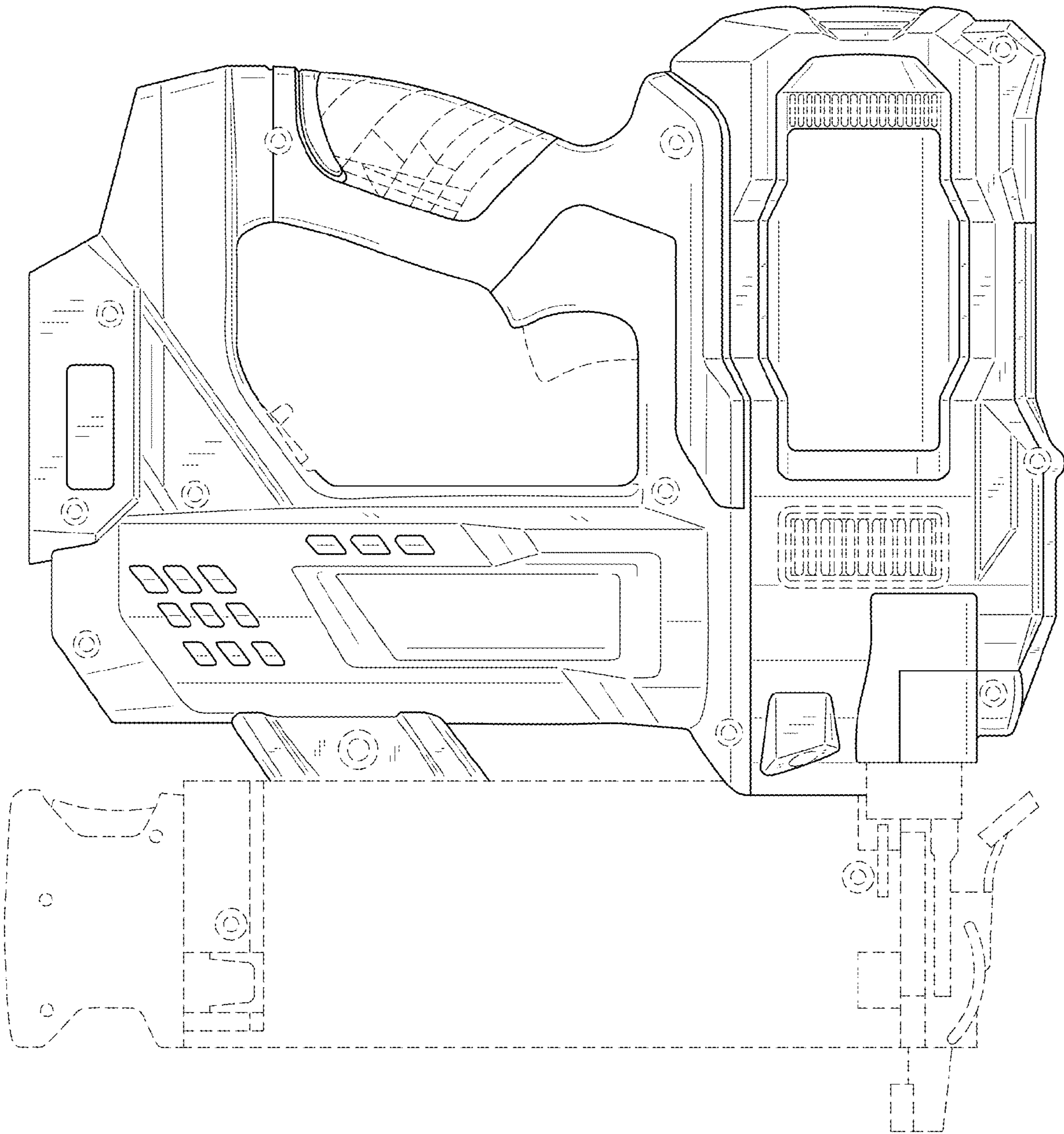


FIG. 2

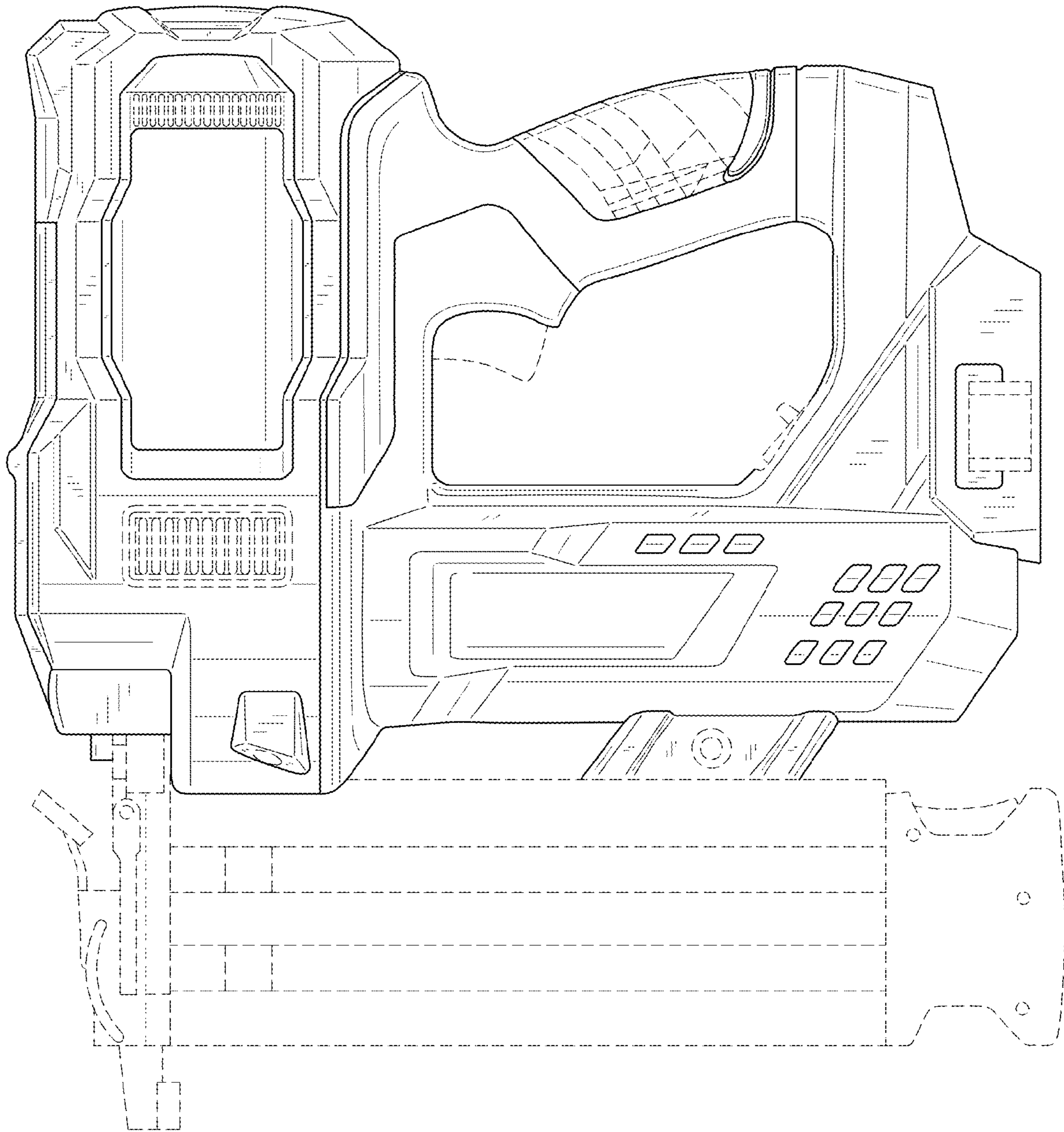


FIG. 3

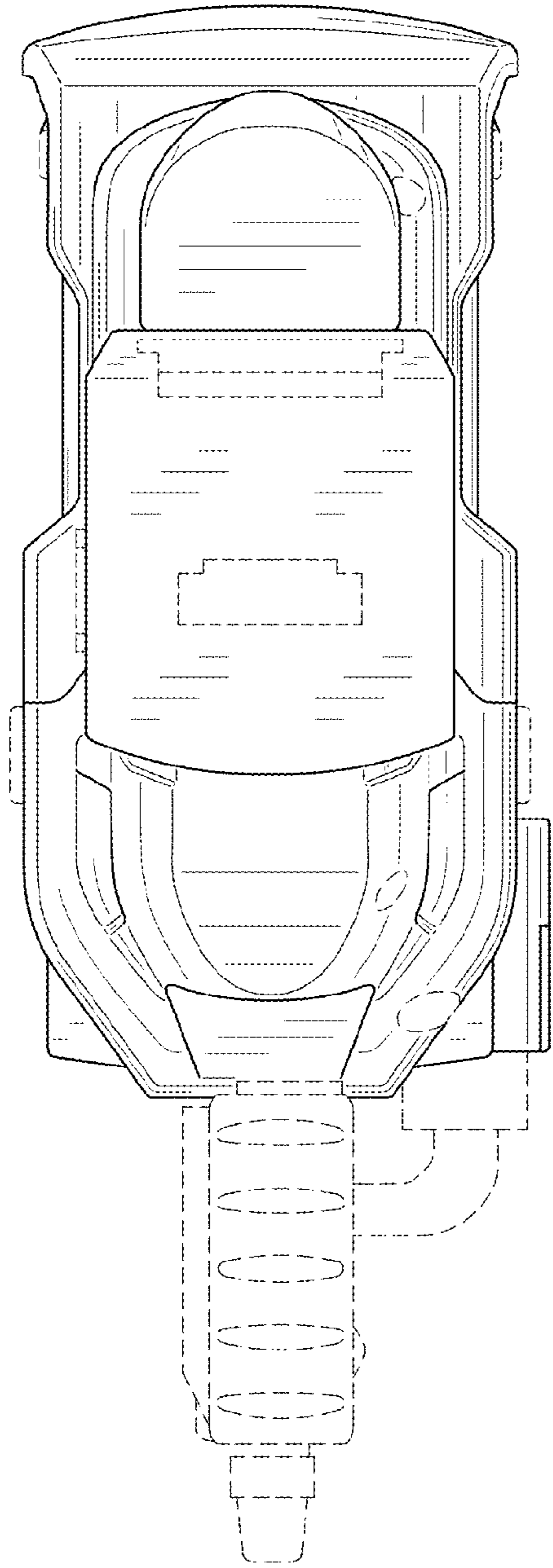


FIG. 4

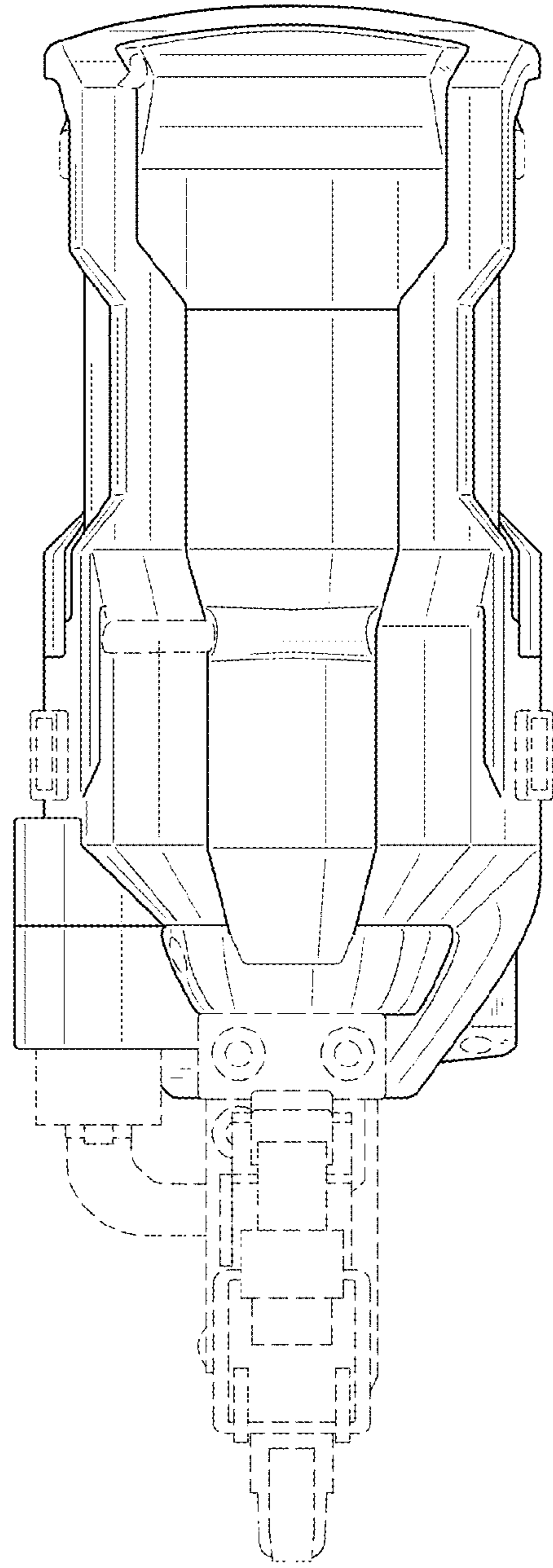


FIG. 5

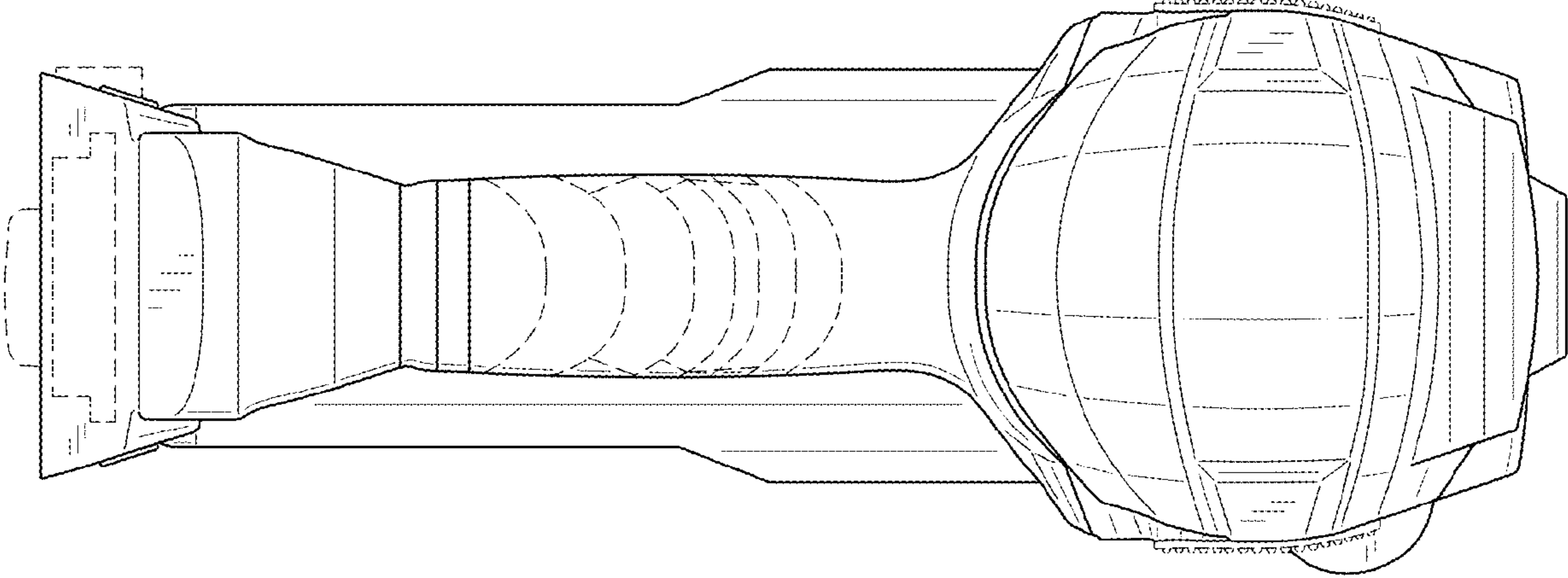


FIG. 6

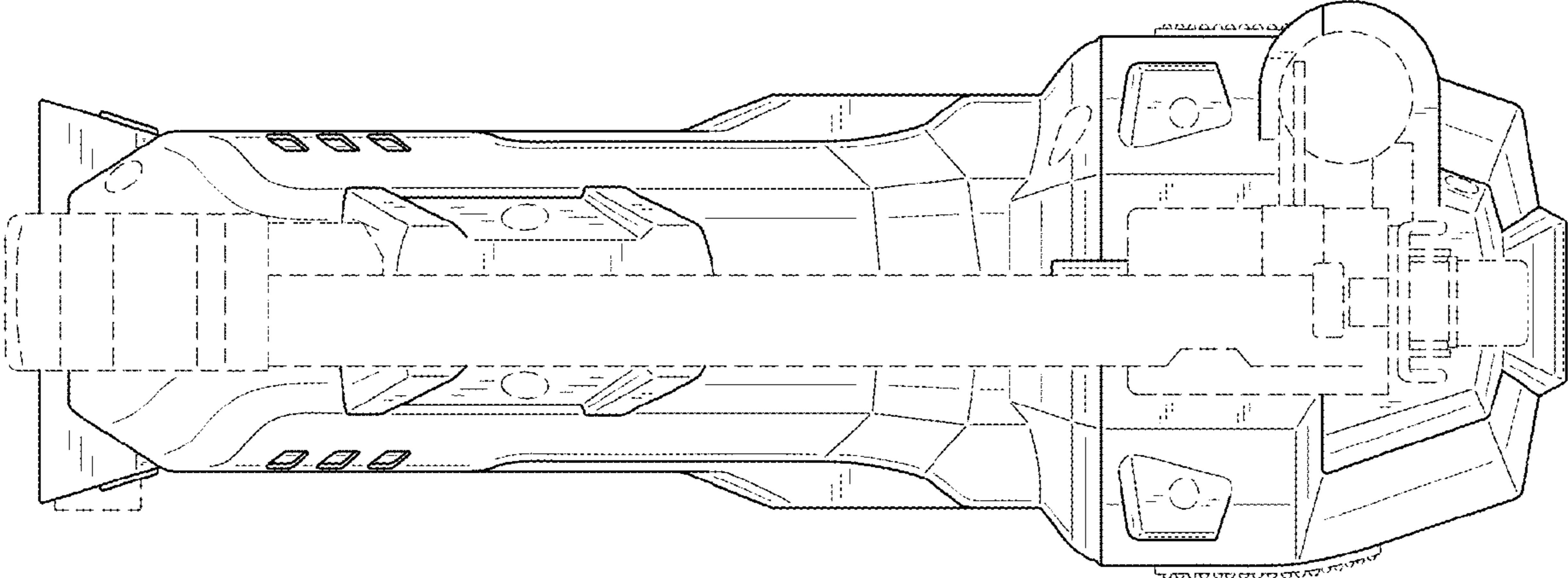


FIG. 7