



US00D942236S

(12) **United States Design Patent**
Hotta

(10) **Patent No.:** **US D942,236 S**

(45) **Date of Patent:** **** Feb. 1, 2022**

(54) **REINFORCING BAR BINDING MACHINE BODY**

(71) Applicant: **MAX CO., LTD.**, Tokyo (JP)

(72) Inventor: **Satoshi Hotta**, Tokyo (JP)

(73) Assignee: **MAX CO., LTD.**, Tokyo (JP)

(**) Term: **15 Years**

(21) Appl. No.: **29/726,331**

(22) Filed: **Mar. 2, 2020**

(30) **Foreign Application Priority Data**

Sep. 3, 2019 (JP) 2019-019584

(51) **LOC (13) Cl.** **08-01**

(52) **U.S. Cl.**
USPC **D8/62**

(58) **Field of Classification Search**
USPC D8/61, 62, 67, 69; 81/57, 57.11, 57.14,
81/57.26, 429, 464, 469; 173/2, 170,
173/176, 181
CPC B25B 21/00; F16D 41/206; B25F 5/001
See application file for complete search history.

(56) **References Cited**

U.S. PATENT DOCUMENTS

D511,662 S * 11/2005 Leasure D8/25
D570,662 S * 6/2008 Baxter D8/62

D573,431 S * 7/2008 Wright D8/62
8,397,767 B2 * 3/2013 Nagaoka B25B 25/00
140/93 R
D824,738 S * 8/2018 Nilsson D8/8
D858,239 S * 9/2019 Hattori D8/68
D897,169 S * 9/2020 Tinius D8/8
D906,778 S * 1/2021 Sabuncuoglu D8/62
D919,387 S * 5/2021 Tinius D8/8
D929,199 S * 8/2021 Li D8/62

* cited by examiner

Primary Examiner — Austin Murphy

(74) *Attorney, Agent, or Firm* — Weihrouch IP

(57) **CLAIM**

The ornamental design for a reinforcing bar binding machine body, as shown and described.

DESCRIPTION

FIG. 1 is a perspective view of a reinforcing bar binding machine body showing my new design; FIG. 2 is a perspective view thereof; FIG. 3 is a front view thereof; FIG. 4 is a rear view thereof; FIG. 5 is a left side view thereof; FIG. 6 is a right side view thereof; FIG. 7 is a top view thereof; and, FIG. 8 is a bottom view thereof.

1 Claim, 8 Drawing Sheets

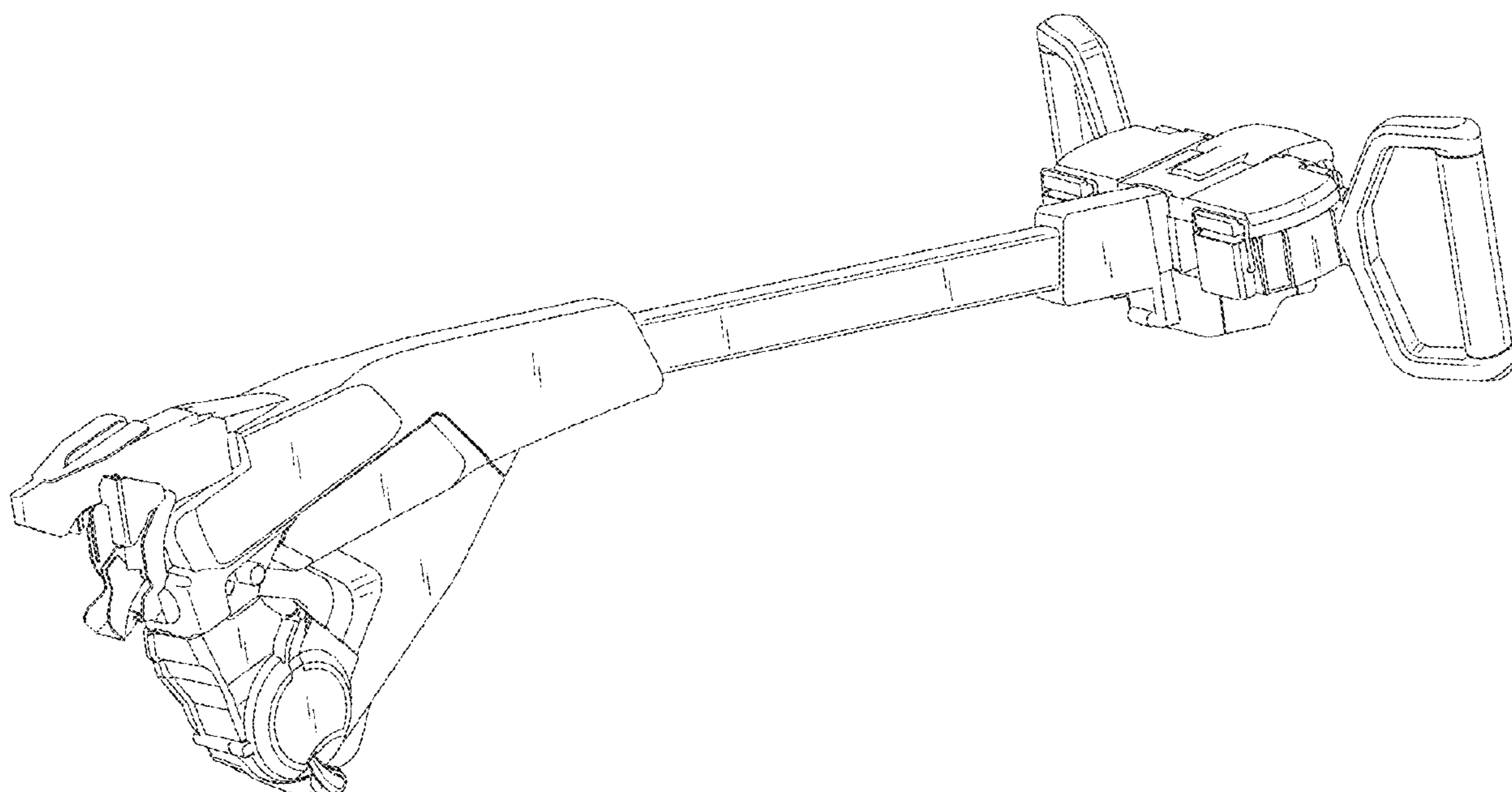


FIG. 1

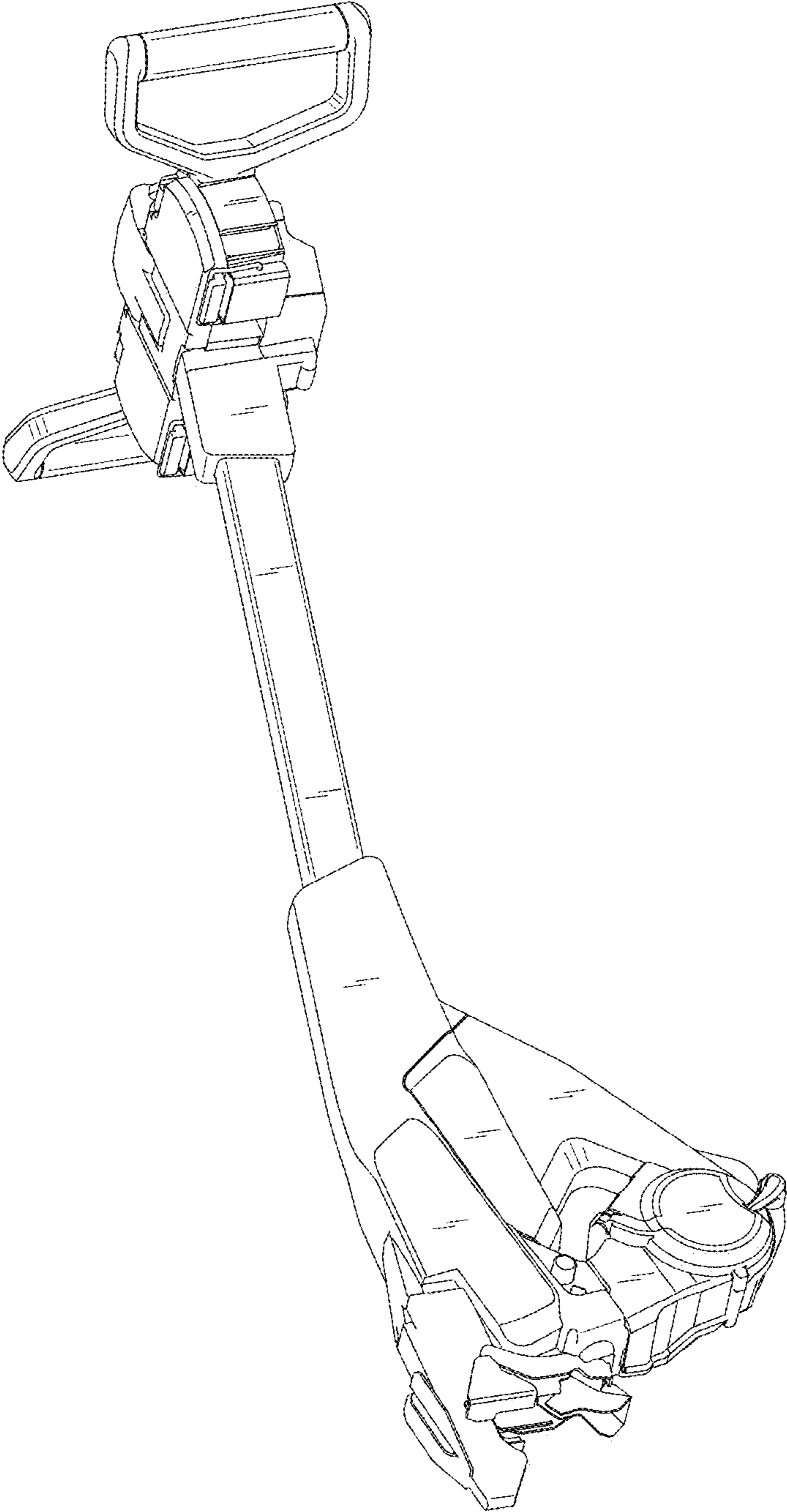


FIG. 2

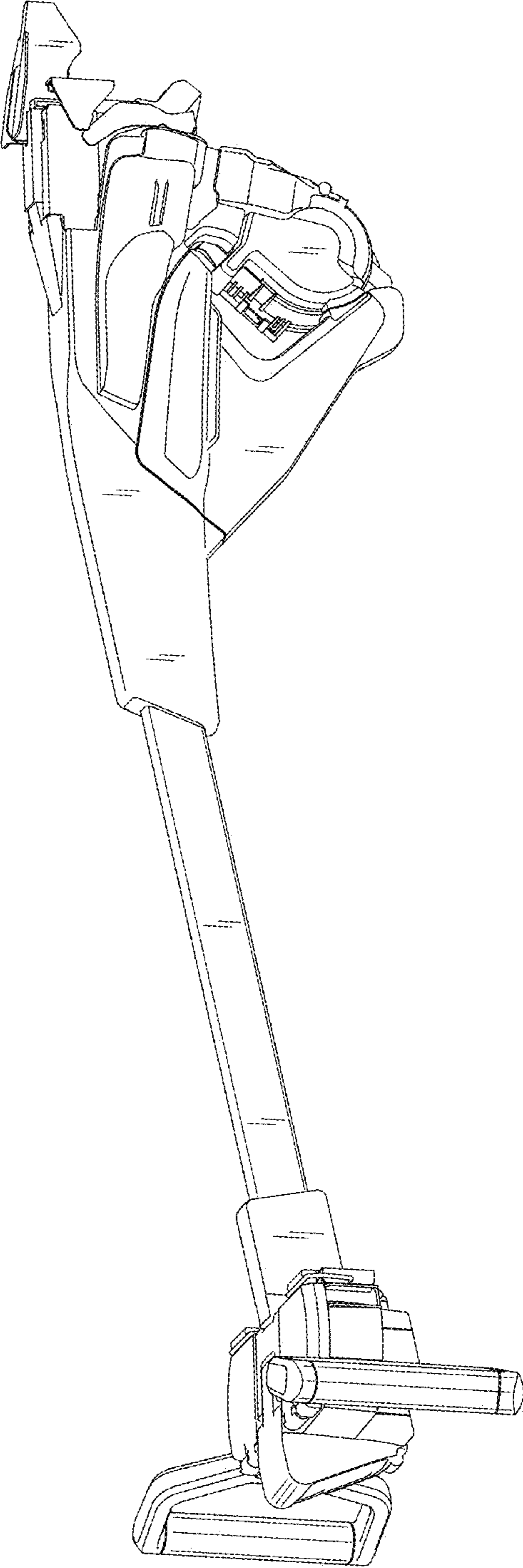


FIG. 3

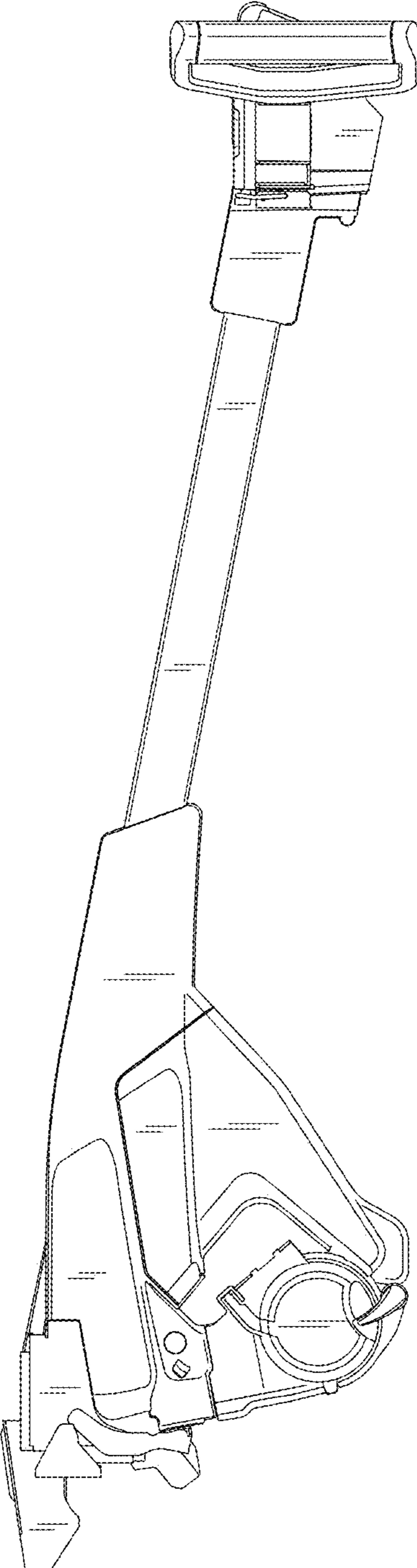


FIG. 4

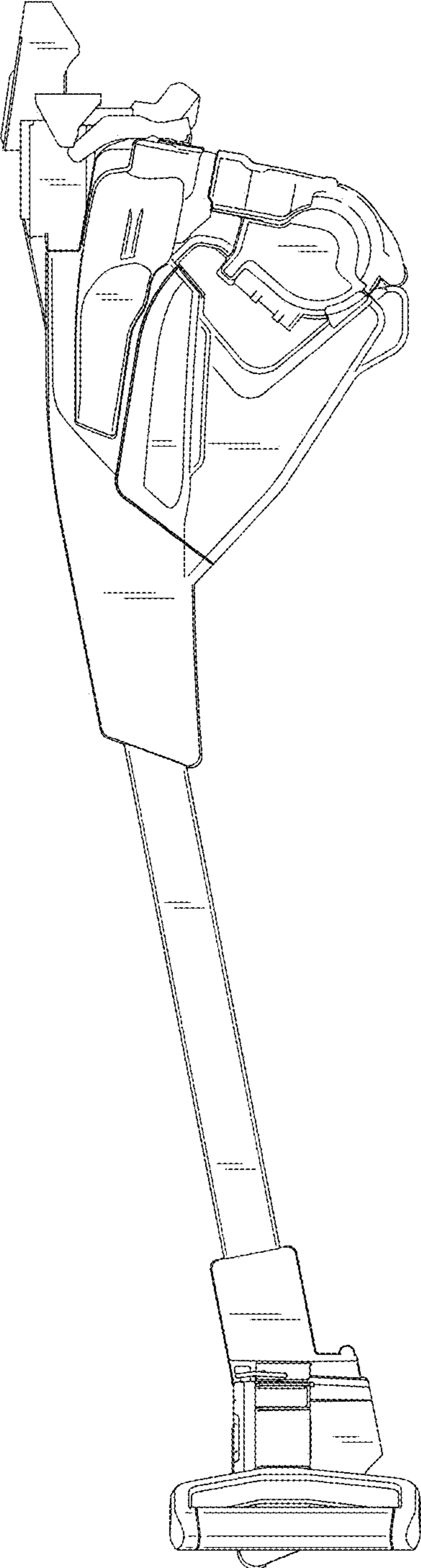


FIG. 5

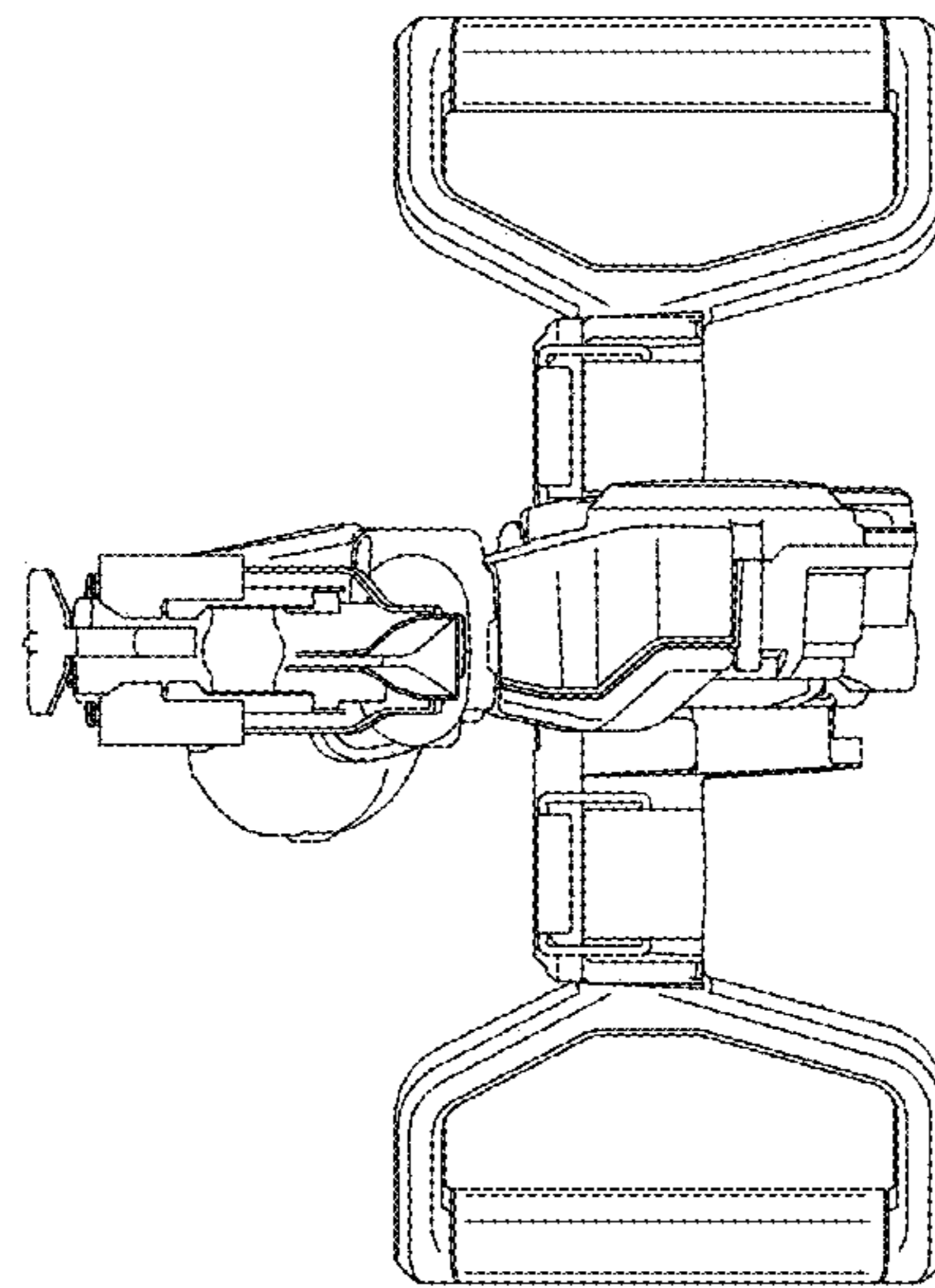


FIG. 6

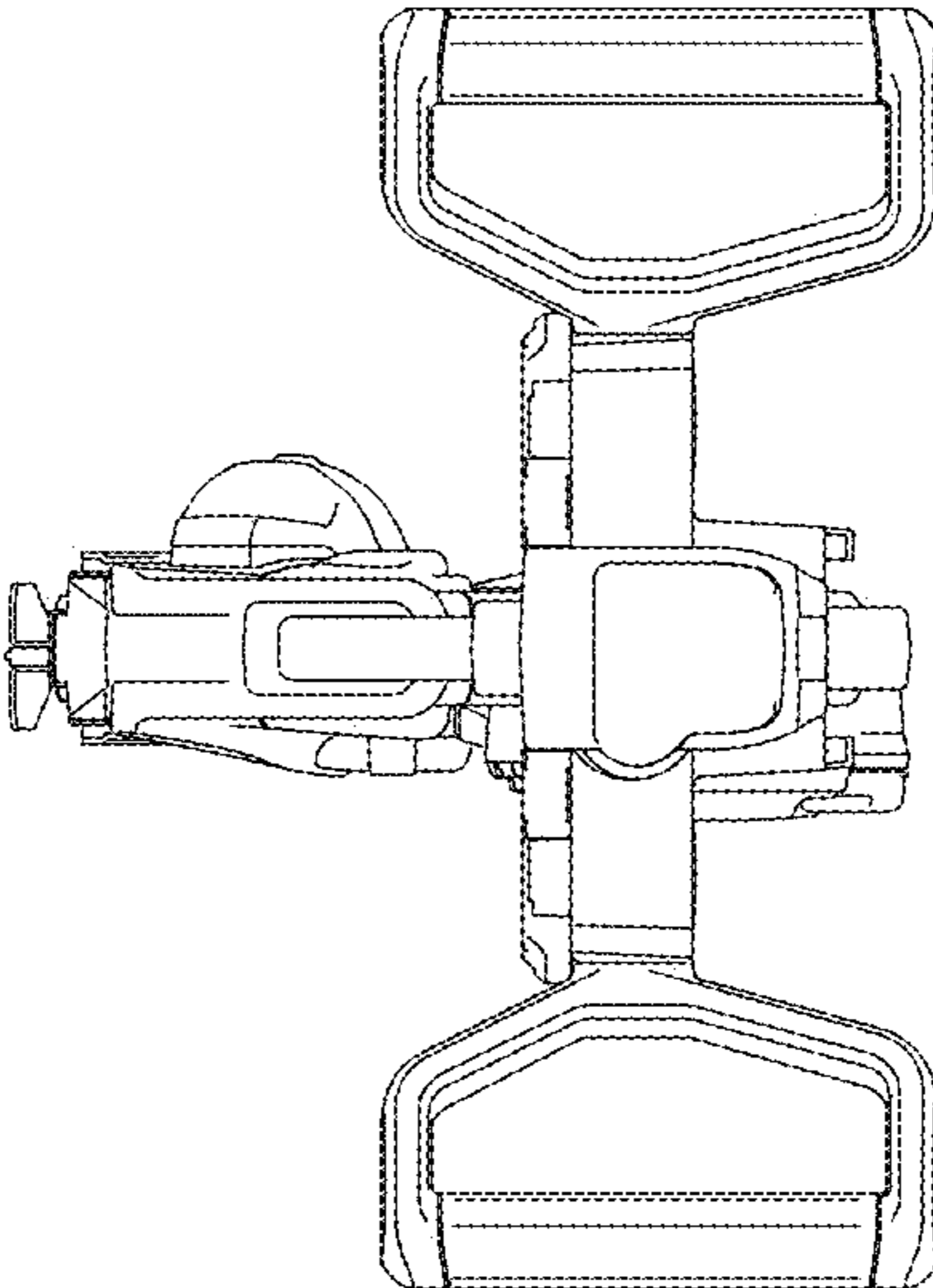


FIG. 7

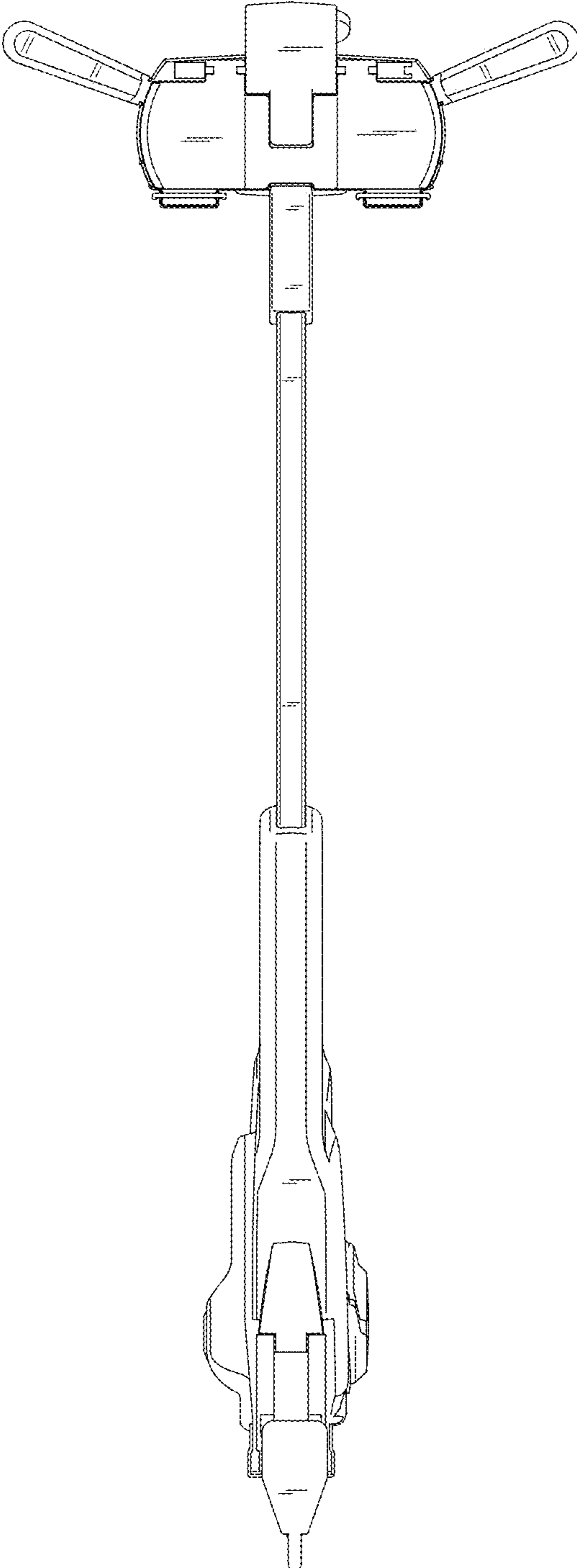


FIG. 8

