



US00D942234S

(12) **United States Design Patent**
Zeng

(10) **Patent No.:** **US D942,234 S**
(45) **Date of Patent:** **** Feb. 1, 2022**

(54) **SCISSORS**

D721,936 S 2/2015 Bhasin
10,166,689 B2 * 1/2019 Chang B26F 1/36
D855,904 S 8/2019 Zhu et al.
D904,149 S * 12/2020 Demelo D8/51

(71) Applicant: **Shenzhen Ailin Trading Co., Ltd,**
Shenzhen (CN)

(72) Inventor: **Zhihao Zeng,** Guangzhou (CN)

(**) Term: **15 Years**

(21) Appl. No.: **29/763,979**

(22) Filed: **Dec. 28, 2020**

(51) **LOC (13) Cl.** **08-03**

(52) **U.S. Cl.**
USPC **D8/51**

(58) **Field of Classification Search**
USPC D8/51-58
CPC B26F 2001/365
See application file for complete search history.

(56) **References Cited**

U.S. PATENT DOCUMENTS

4,193,191 A * 3/1980 Sisco B26F 1/36
30/364
6,282,796 B1 * 9/2001 Lin B25B 7/04
30/363
D483,627 S 12/2003 Ronan et al.
D575,123 S * 8/2008 Jonasson D8/52
D604,135 S 11/2009 Smith et al.
D607,702 S 1/2010 Wu
7,895,756 B1 * 3/2011 Lin B26F 1/36
30/192
D702,521 S 4/2014 Jang Soo

FOREIGN PATENT DOCUMENTS

GB 6046988 * 10/2018

* cited by examiner

Primary Examiner — Deanna L Pratt

(74) *Attorney, Agent, or Firm* — Rumit Ranjit Kanakia

(57) **CLAIM**

I claim the ornamental design for a scissors, as shown and described.

DESCRIPTION

FIG. 1 is a Perspective view of a scissors showing my new design;

FIG. 2 is a Front view thereof;

FIG. 3 is a Back view thereof;

FIG. 4 is a Right-side view thereof;

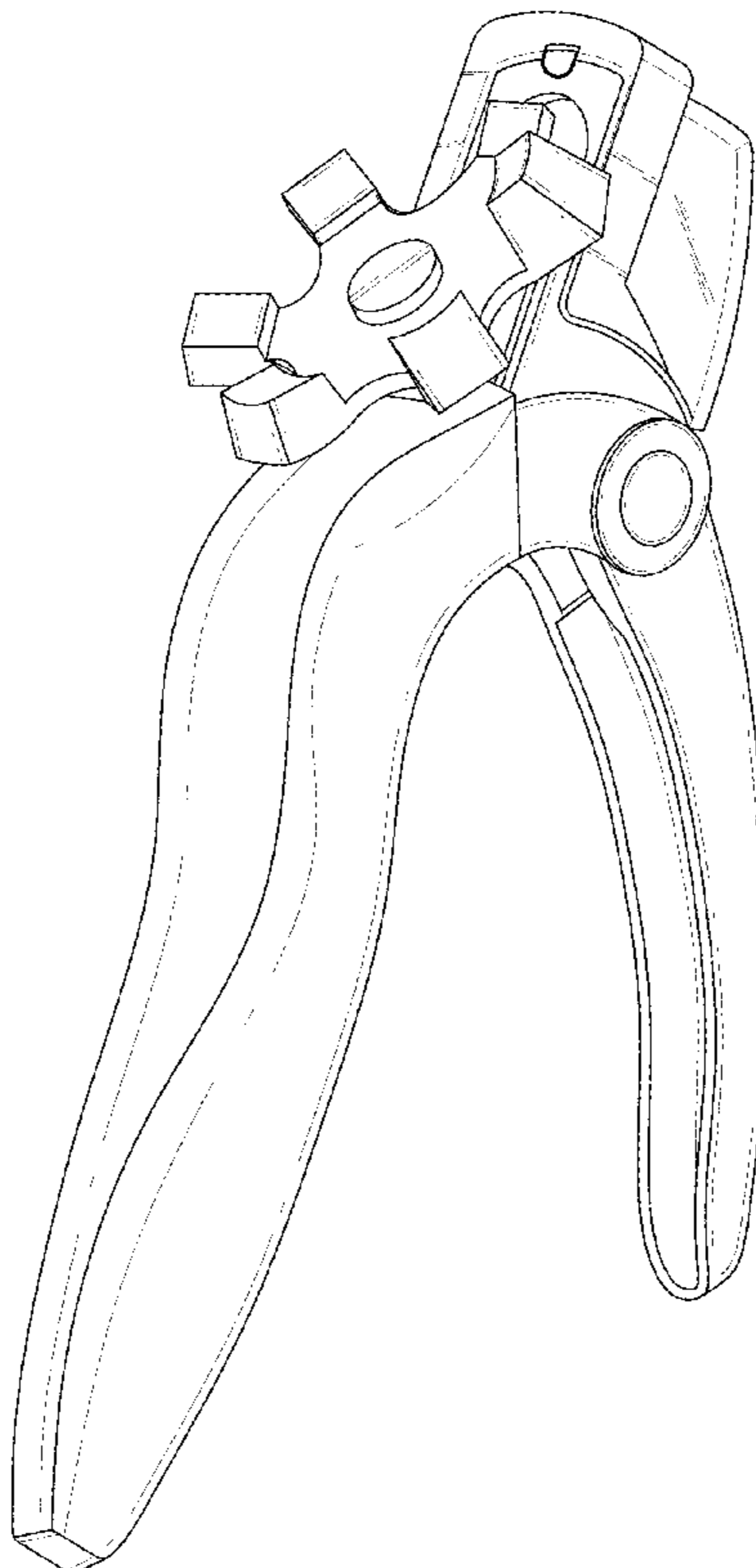
FIG. 5 is a Left-side view thereof;

FIG. 6 is a Top view thereof; and,

FIG. 7 is a Bottom view thereof.

The broken lines in the drawings depict portions of the scissors that form no part of the claimed design.

1 Claim, 6 Drawing Sheets



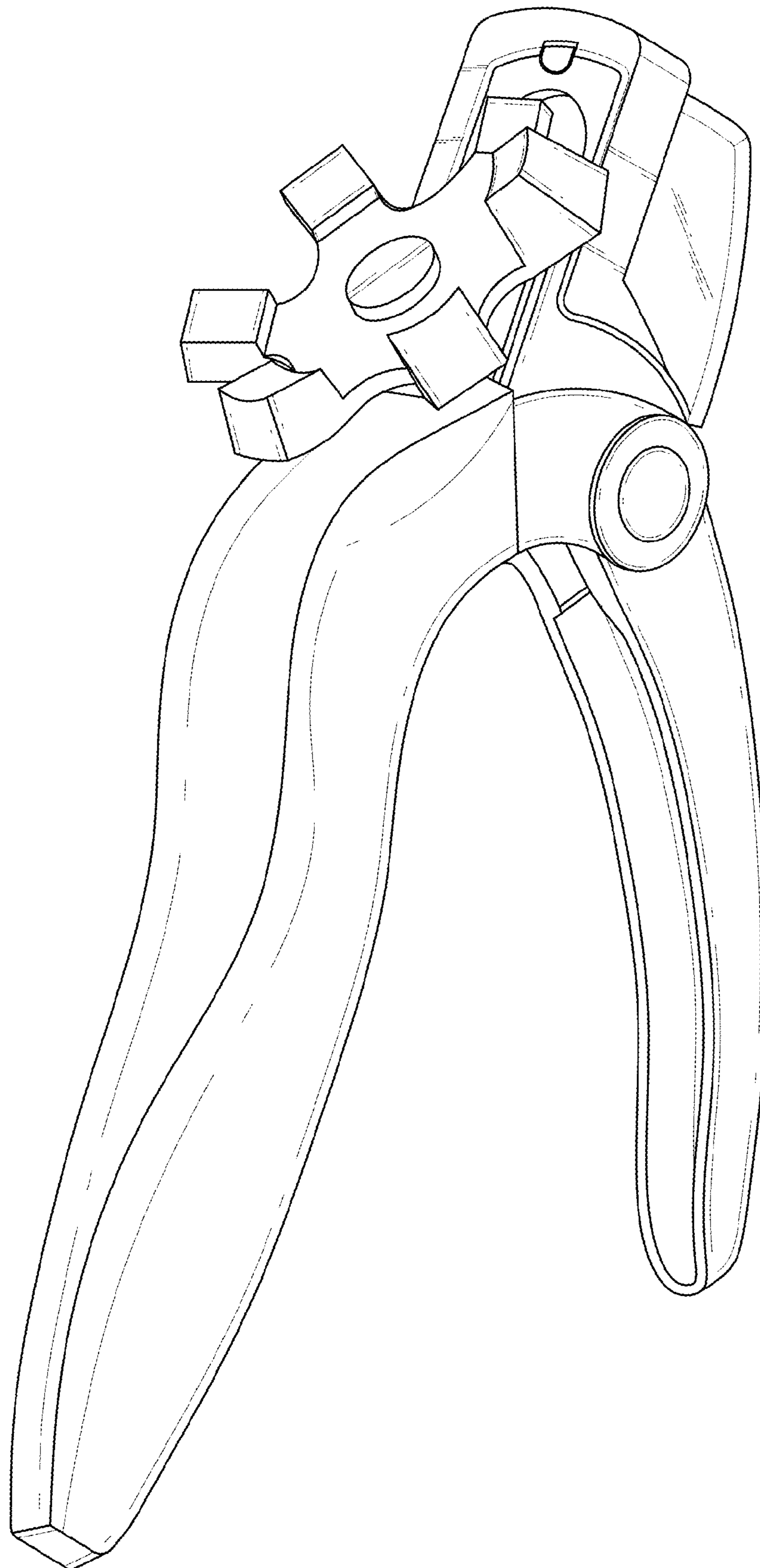


FIG. 1

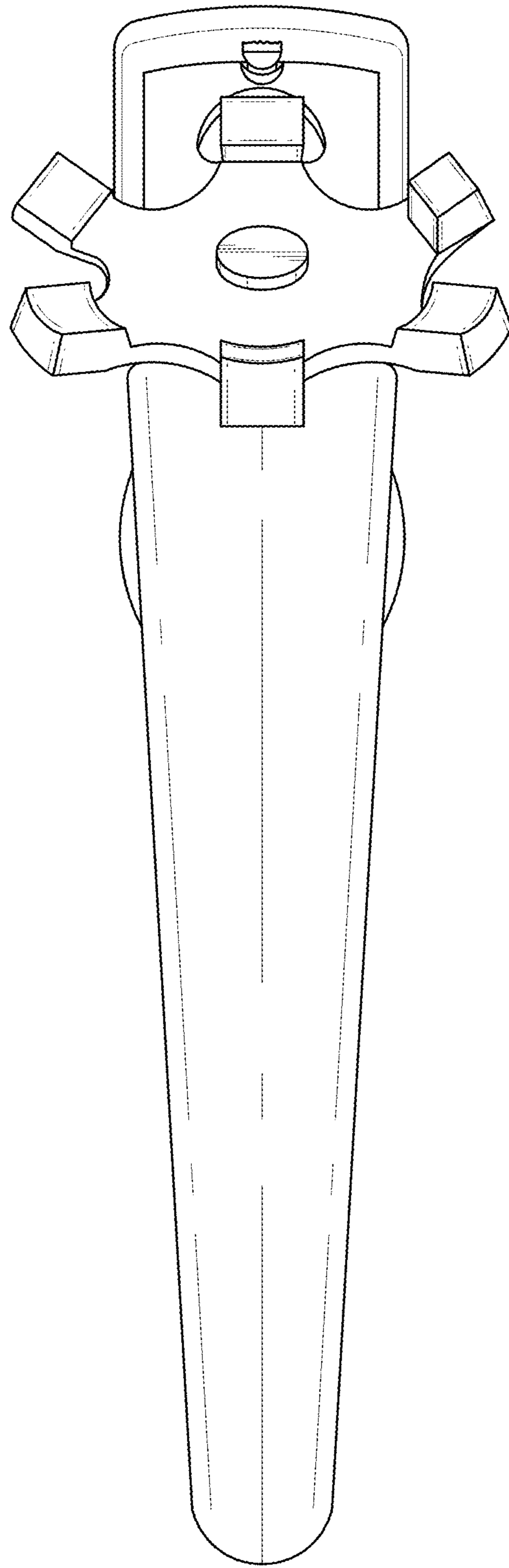


FIG. 2

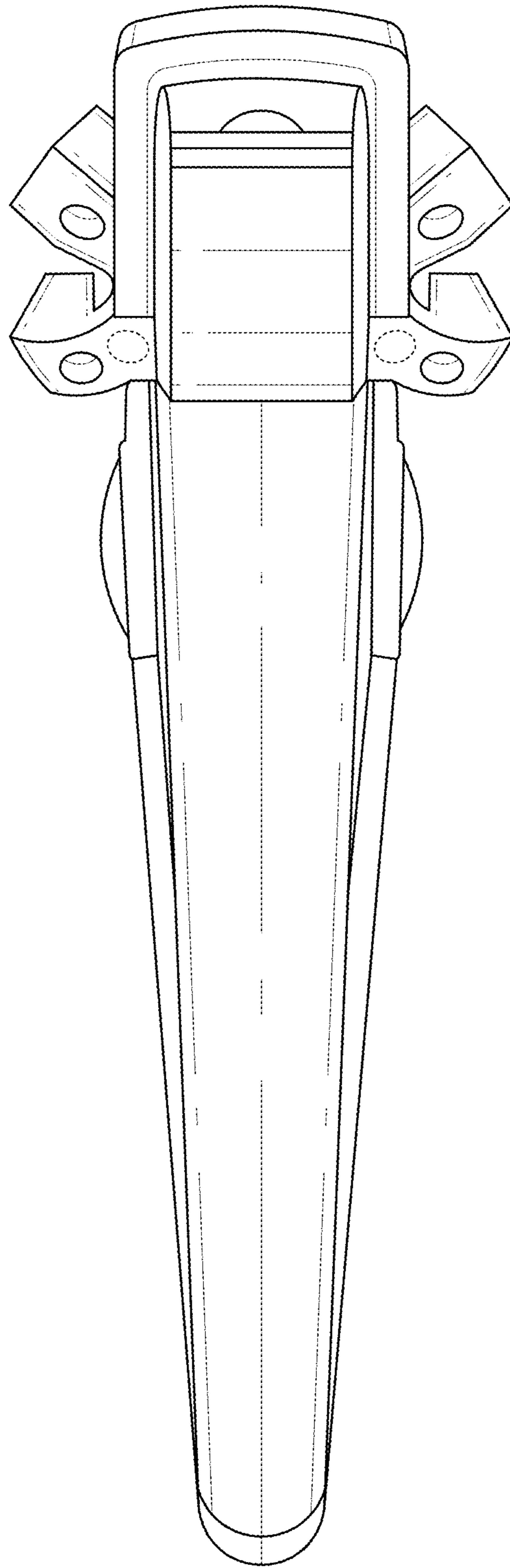


FIG. 3

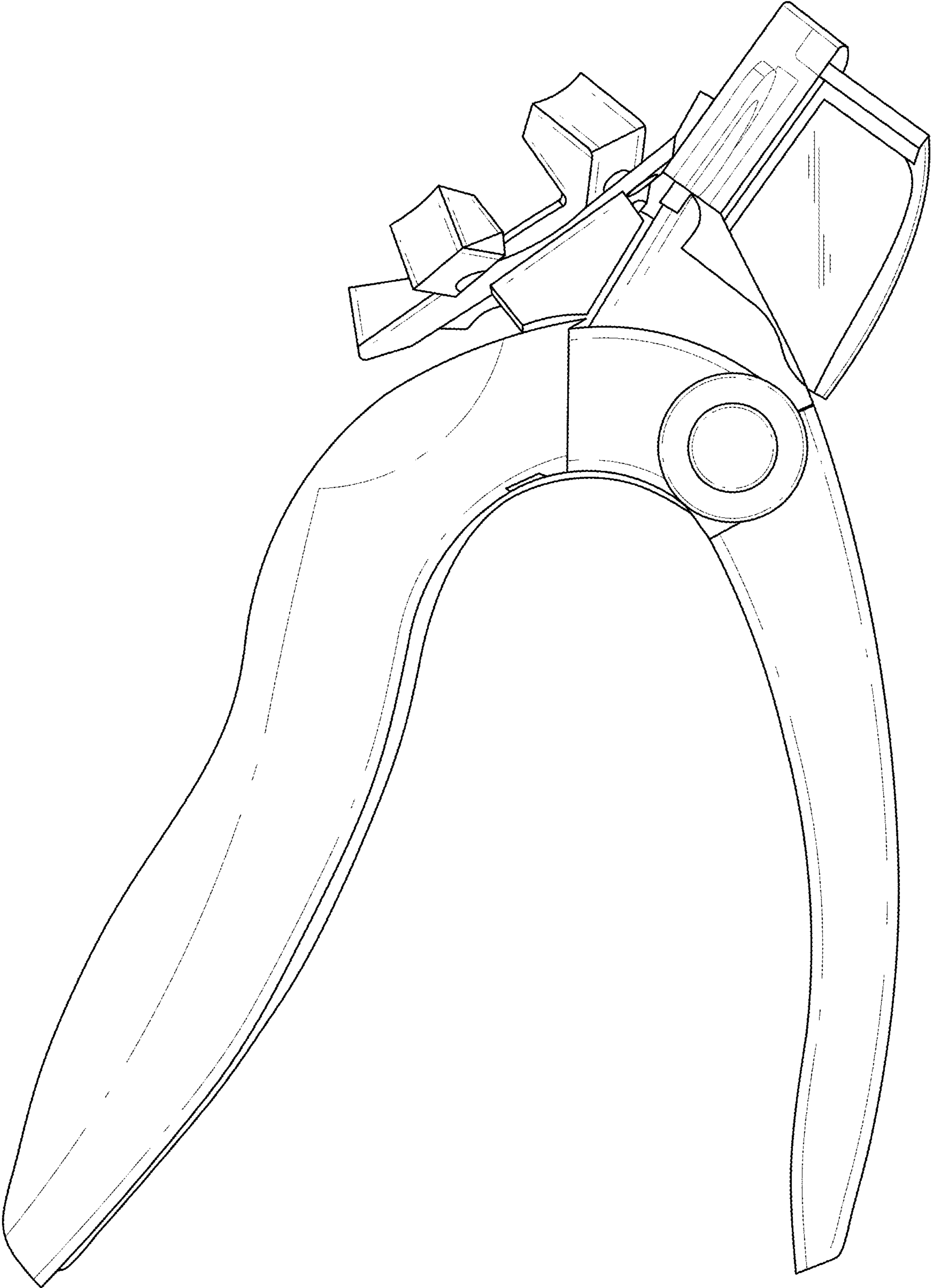


FIG. 4

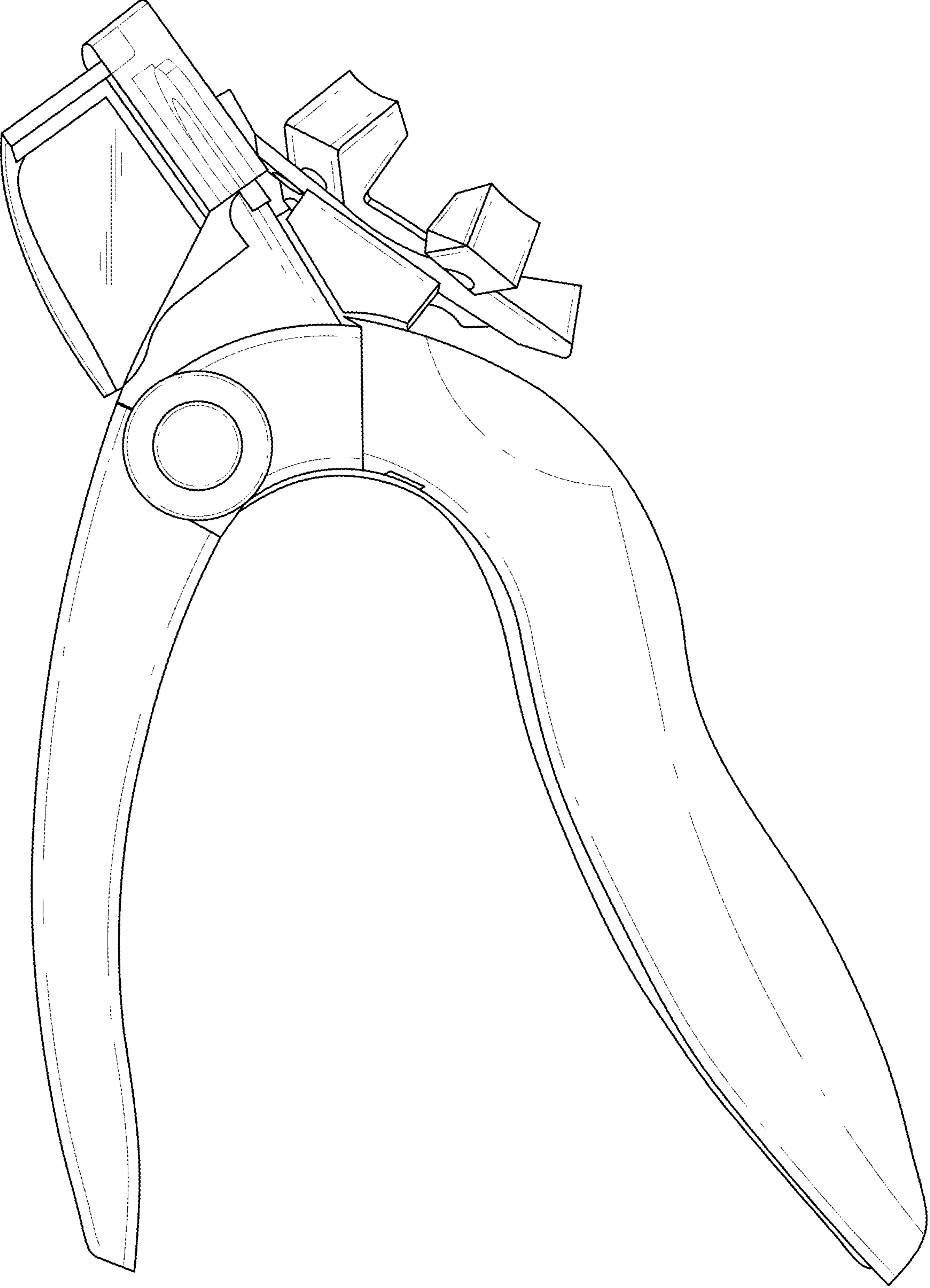


FIG. 5

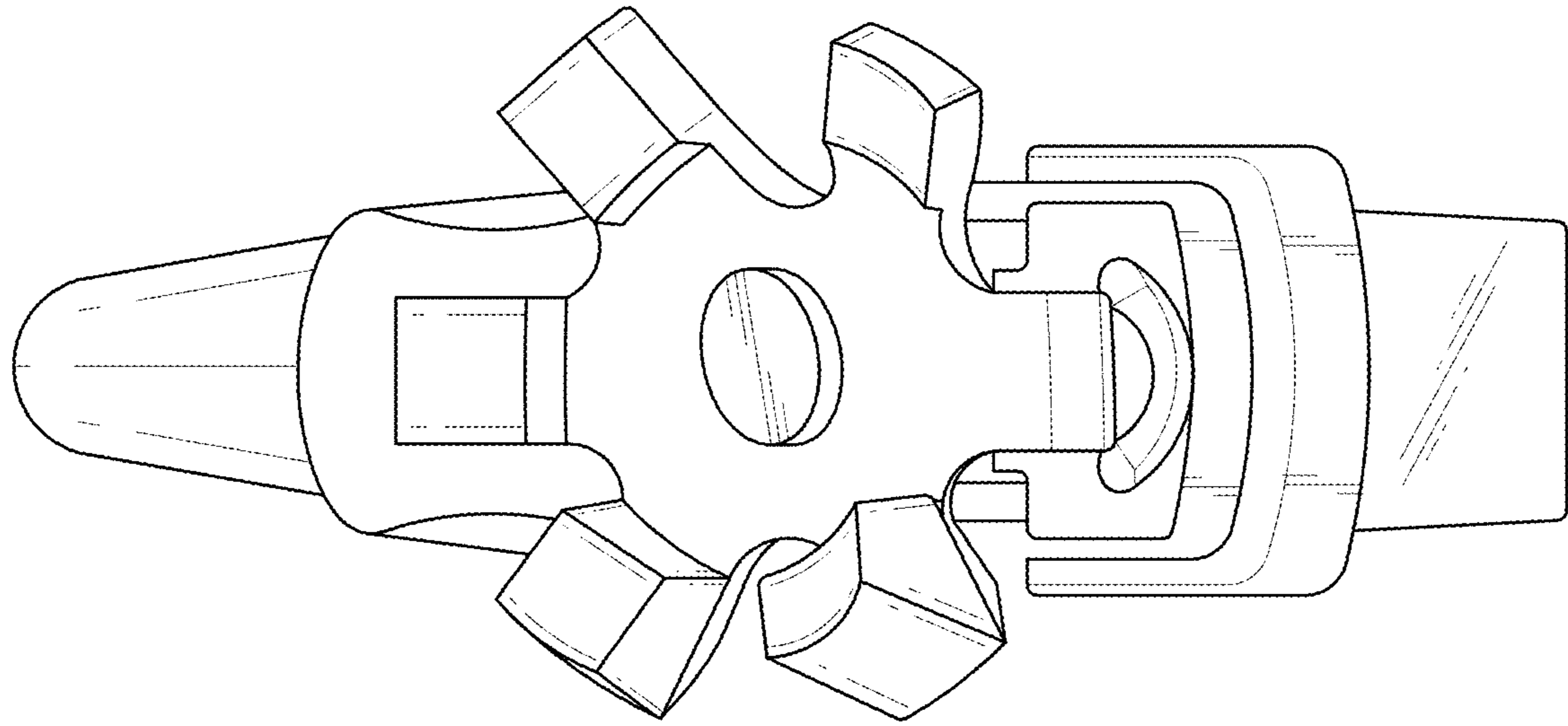


FIG. 6

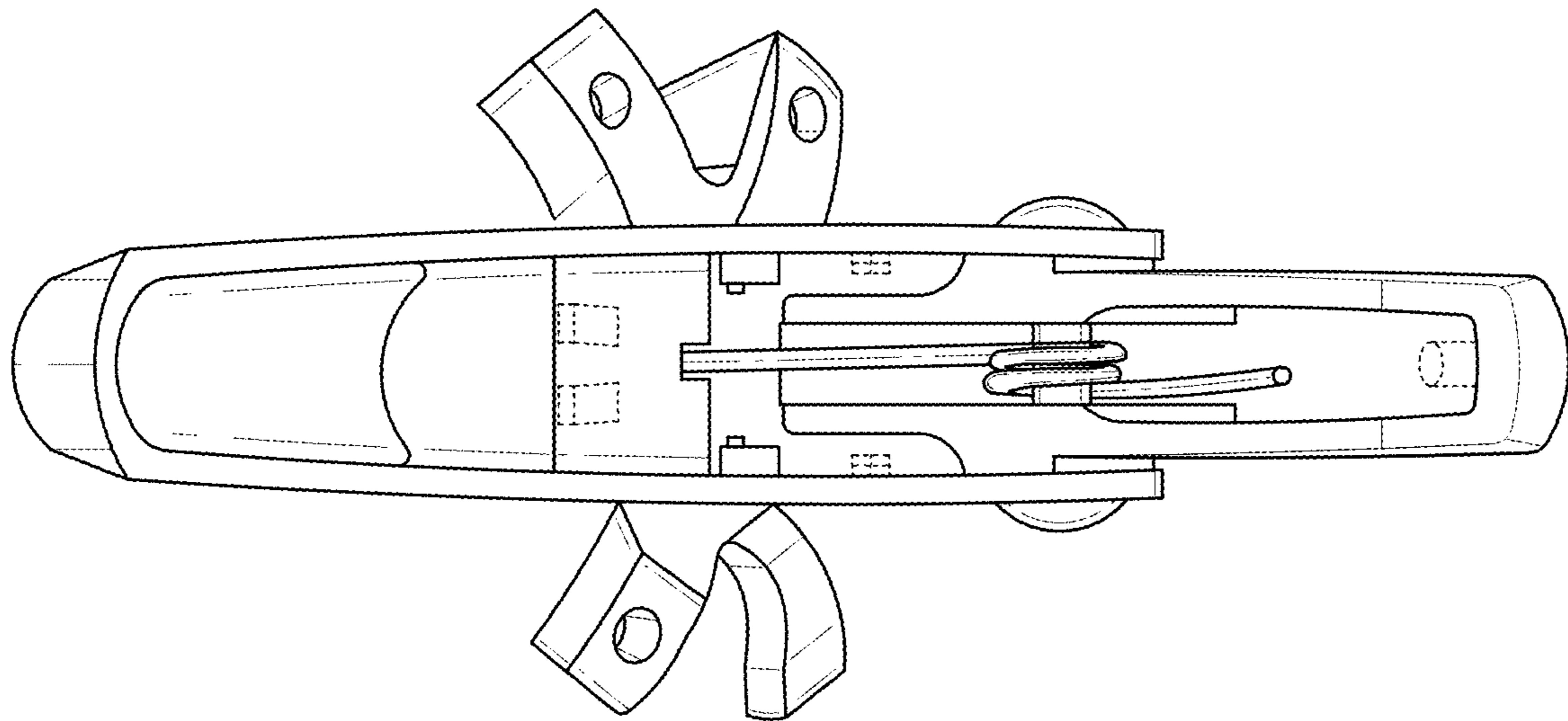


FIG. 7