



US00D942233S

(12) **United States Design Patent**
Lock

(10) **Patent No.:** **US D942,233 S**

(45) **Date of Patent:** **** Feb. 1, 2022**

- (54) **BLADE**
- (71) Applicant: **ALP OZ AUTO MOULDS PTY LTD,**
Victoria (AU)
- (72) Inventor: **Trevor Stanley Lock,** Victoria (AU)
- (73) Assignee: **ALP OZ AUTO MOULDS PTY LTD,**
Victoria (AU)
- (**) Term: **15 Years**
- (21) Appl. No.: **29/719,263**
- (22) Filed: **Jan. 2, 2020**
- (30) **Foreign Application Priority Data**

Jul. 3, 2019 (AU) 201913724

- (51) **LOC (13) Cl.** **08-03**
- (52) **U.S. Cl.**
USPC **D8/20**
- (58) **Field of Classification Search**
USPC D8/20, 98-104, 70, 16, 19, 14, 107;
D7/693; D15/139; D32/46, 49
CPC .. B23D 61/121; B23D 61/123; B23D 61/126;
B23D 61/128; B23D 49/14; B26B 1/02
See application file for complete search history.

(56) **References Cited**

U.S. PATENT DOCUMENTS

- 832,455 A * 10/1906 Lawbaugh B44D 3/162
7/105
- D114,439 S * 4/1939 Christensen D8/16
- 2,559,993 A * 7/1951 Parrigin B27G 17/00
30/161
- 2,644,267 A * 7/1953 Helgeson A01K 97/18
43/53.5
- D178,437 S * 7/1956 Engstrom D8/102
- D247,278 S * 2/1978 Dunn, Jr. D32/46

- 4,536,910 A * 8/1985 Clark B44D 3/105
15/236.01
- D282,344 S * 1/1986 Wilcox D8/14
- D301,115 S * 5/1989 Chapin D8/14
- D324,747 S * 3/1992 Rood D32/46
- D344,380 S * 2/1994 Hippler D32/54
- D347,559 S * 6/1994 Piscitelli D8/16
- D445,660 S * 7/2001 Okada D8/98
- D521,331 S * 5/2006 Zarb D8/20
- D539,105 S * 3/2007 Bennett D8/18
- D601,869 S * 10/2009 Nelson D8/20
- D630,909 S * 1/2011 Freese D7/683
- D686,048 S * 7/2013 Lock D8/20
- D702,517 S * 4/2014 Wilson D8/19
- D809,356 S * 2/2018 Butscher D8/20
- D832,432 S * 10/2018 Chappuis D24/135
- D867,094 S * 11/2019 Rowley D8/88
- D904,144 S * 12/2020 Butscher D8/20
- D922,847 S * 6/2021 Wang D8/88
- 2011/0010868 A1 * 1/2011 Palladino B26B 9/00
7/158

* cited by examiner

Primary Examiner — Elizabeth A. Albert

(74) *Attorney, Agent, or Firm* — Bond Schoeneck and King PLLC; David Nocilly

(57) **CLAIM**

The ornamental design for a blade, as shown and described.

DESCRIPTION

FIG. 1 is a perspective view of a blade;

FIG. 2 is a top plan thereof;

FIG. 3 is a bottom plan thereof;

FIG. 4 is a left side view thereof;

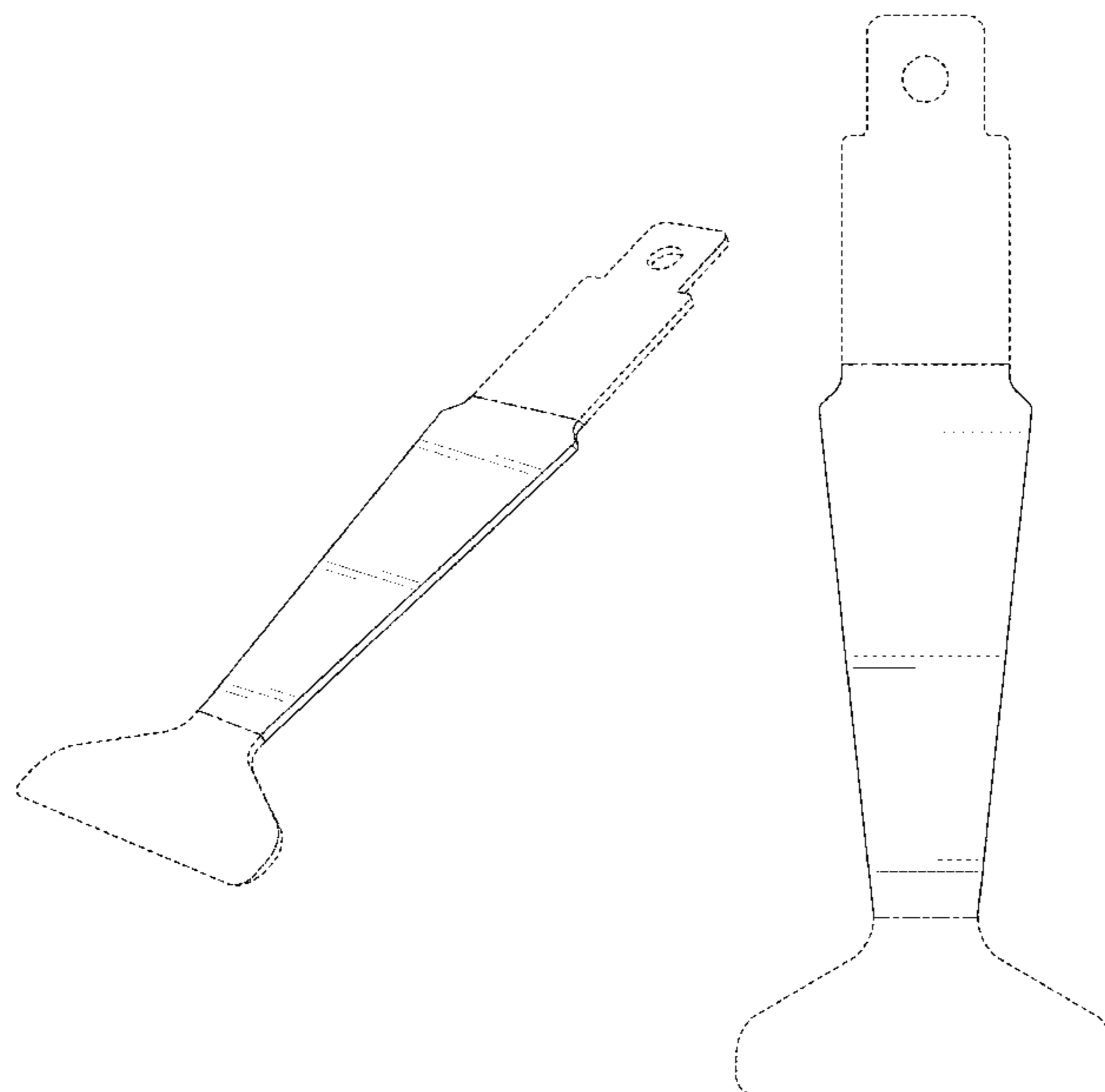
FIG. 5 is a right side view thereof;

FIG. 6 is a front view thereof; and,

FIG. 7 is a rear view thereof.

The broken lines in the drawings are included to show environment and form no part of the claimed design.

1 Claim, 6 Drawing Sheets



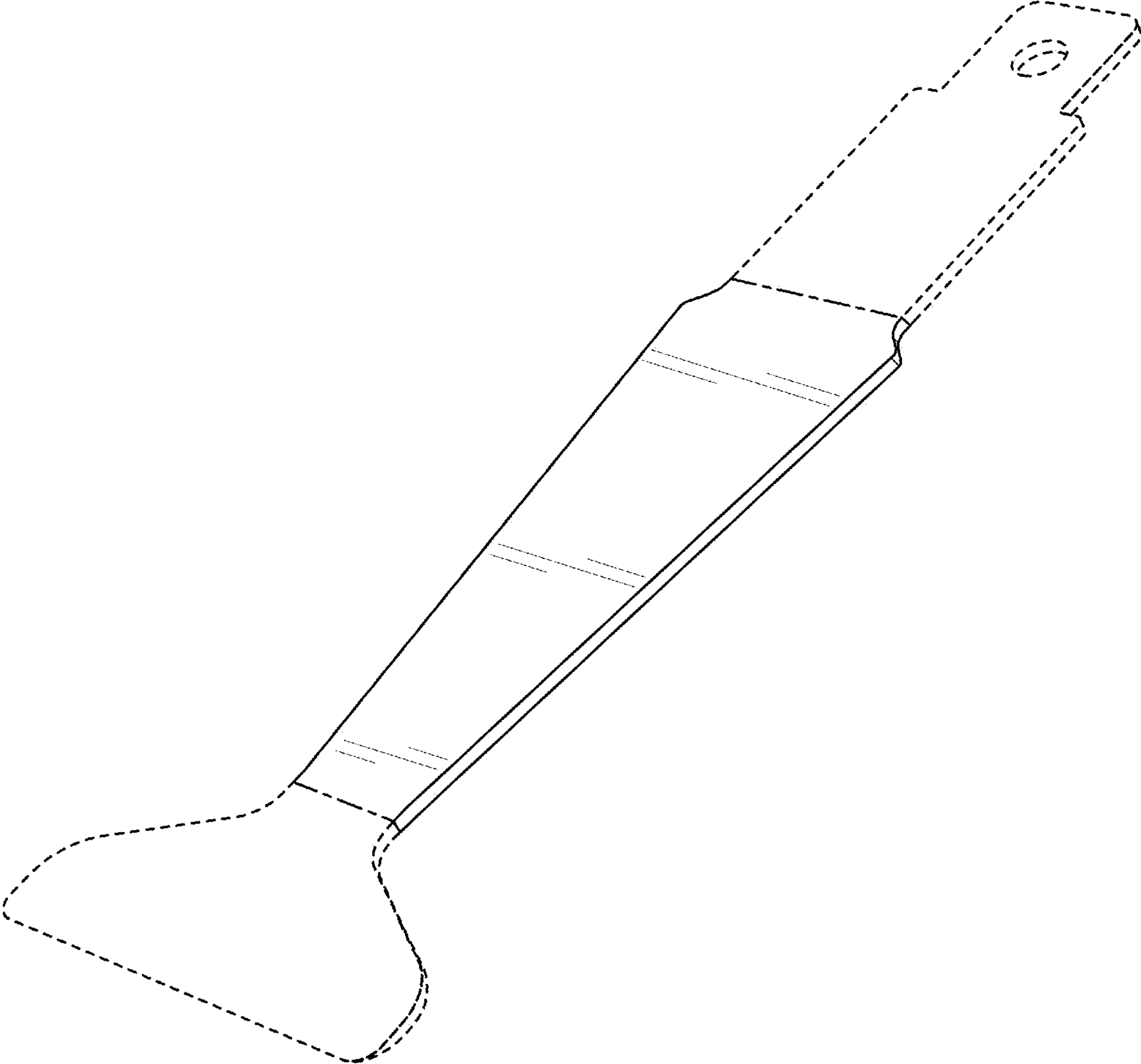


FIG. 1

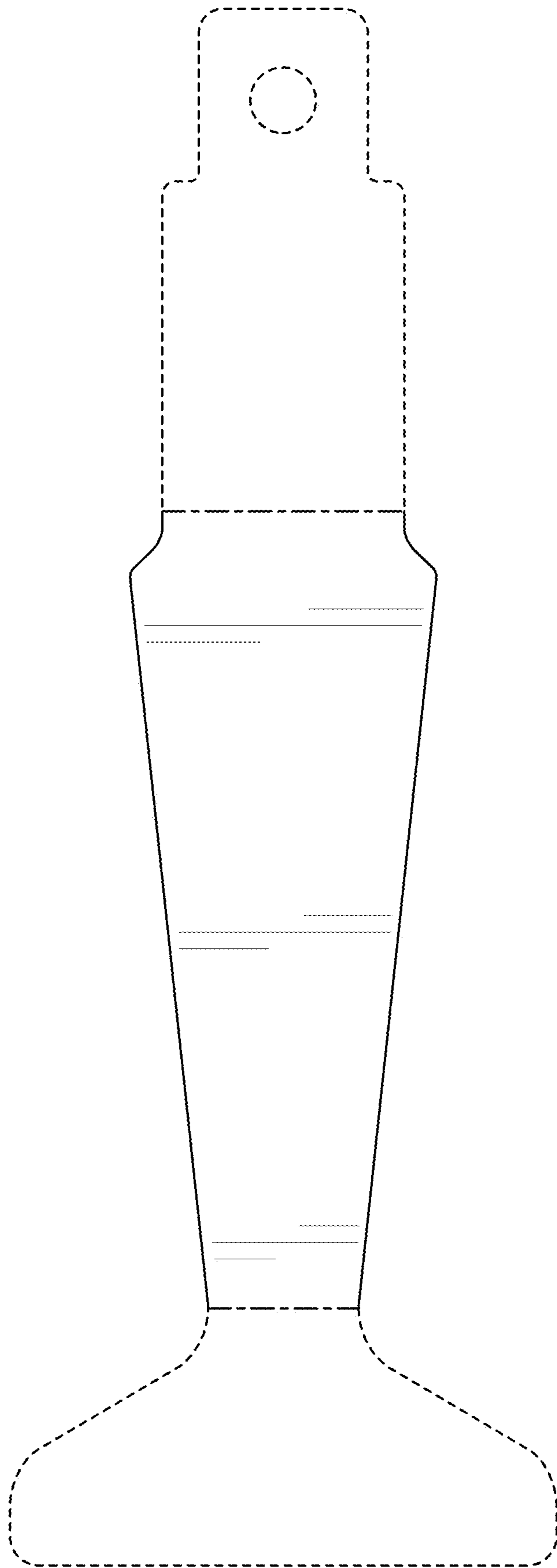


FIG. 2

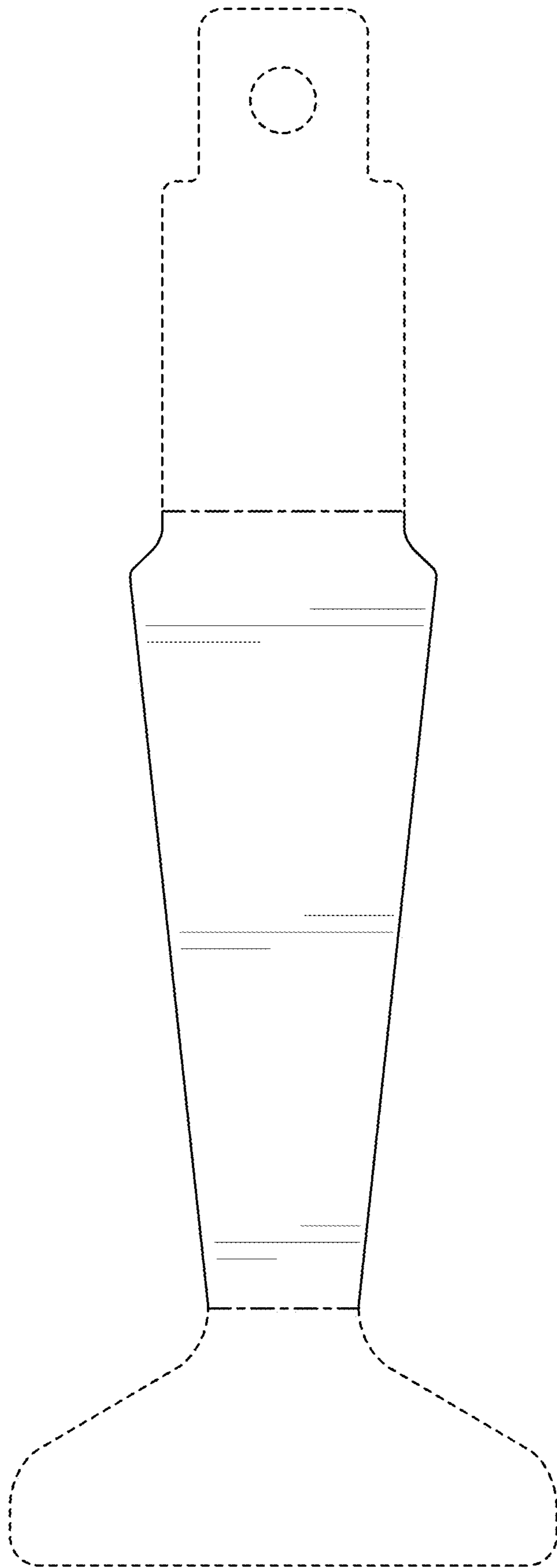


FIG. 3



FIG. 4



FIG. 5



FIG. 6

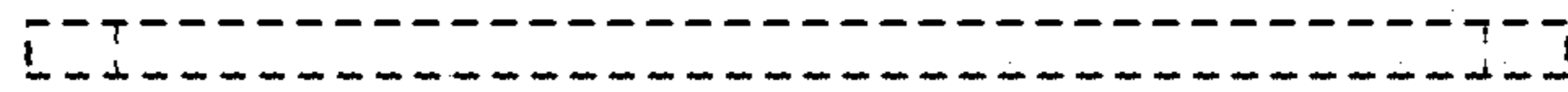


FIG. 7