



US00D942231S

(12) **United States Design Patent**
Borucki

(10) **Patent No.:** **US D942,231 S**

(45) **Date of Patent:** **** Feb. 1, 2022**

(54) **BAR SET RACK**

(71) Applicant: **Tomasz Borucki**, Hamilton (CA)

(72) Inventor: **Tomasz Borucki**, Hamilton (CA)

(**) Term: **15 Years**

(21) Appl. No.: **29/715,846**

(22) Filed: **Dec. 5, 2019**

(51) **LOC (13) Cl.** **06-04**

(52) **U.S. Cl.**

USPC **D7/705**; D7/701

(58) **Field of Classification Search**

USPC D7/601, 602, 701, 703, 705, 706, 707,
D7/708, 708.1, 619.1; D3/201, 273, 295;
D6/672, 675, 675.1, 675.2, 675.3, 675.5,
D6/678, 678.1, 678.2, 682, 682.1, 682.3,
D6/682.4, 683, 683.1, 702, 705; D9/414,
D9/423, 424, 455, 751, 757, 761

CPC A47B 73/00; A47B 73/006; A47B 88/00;
A47B 88/40; A47B 2210/06; A47B
2210/07; A47B 2210/08; A45C 11/20;
A47G 19/2255; A47G 19/2261; A47G
19/32; A47G 21/001; A47G 23/02; A47G
23/0208; A47G 23/0216; A47G 23/0225;
A47G 23/0258; A47G 23/0266; A47G
23/0316; A47G 23/06; A47G 23/0641;
A47G 2023/0283; A47G 29/093; A47J
47/14; A47J 47/16

See application file for complete search history.

(56) **References Cited**

U.S. PATENT DOCUMENTS

D786,029 S * 5/2017 Pannell D7/708
D887,187 S * 6/2020 Ravid D6/675.1
D906,773 S * 1/2021 Chen D7/701

D907,450 S * 1/2021 Yang D7/701
D909,156 S * 2/2021 Chen D7/701
D911,789 S * 3/2021 Wang A47G 23/0641
D7/701
D914,458 S * 3/2021 Lu D7/552.2
D917,246 S * 4/2021 Wang D7/701
D925,304 S * 7/2021 Lukyanov D7/701
2019/0024970 A1 * 1/2019 Sapia A47G 23/0641

OTHER PUBLICATIONS

11 Piece Mixology Bartender Kit with Rustic Stand, first available Sep. 24, 2019, Amazon, [online], [site visited Mar. 31, 2021], Available from internet URL: <https://www.amazon.com/Cocktail-Mixology-Bartender-Kit-Experiences/dp/B07YBJ483D> (Year: 2019).*
TJ.MOREE Bartender Kit with Stand, first available Jun. 22, 2020, Amazon, [online], [site visited Mar. 31, 2021], Available from internet URL: <https://www.amazon.com/dp/B08BLGVR39> (Year: 2020).*

* cited by examiner

Primary Examiner — Mary Ann Calabrese
Assistant Examiner — Natalya M Rapundalo

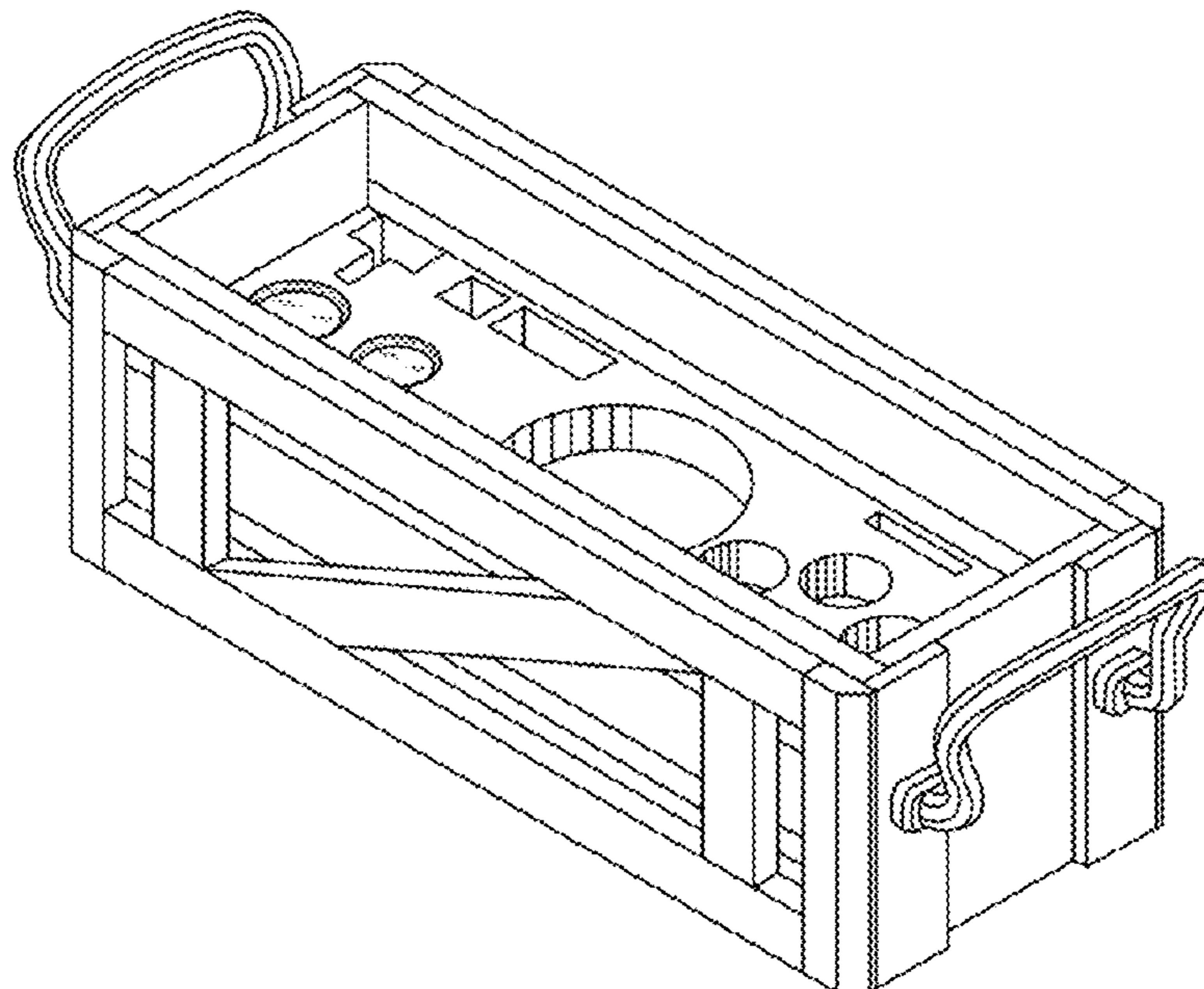
(57) **CLAIM**

The ornamental design for a bar set rack, as shown and described.

DESCRIPTION

FIG. 1 is a front view of the bar set rack, showing my new design;
FIG. 2 is a back view thereof;
FIG. 3 is a left side view thereof;
FIG. 4 is a right side view thereof;
FIG. 5 is a top view thereof;
FIG. 6 is a bottom view thereof; and,
FIG. 7 is an isometric view thereof.

1 Claim, 7 Drawing Sheets



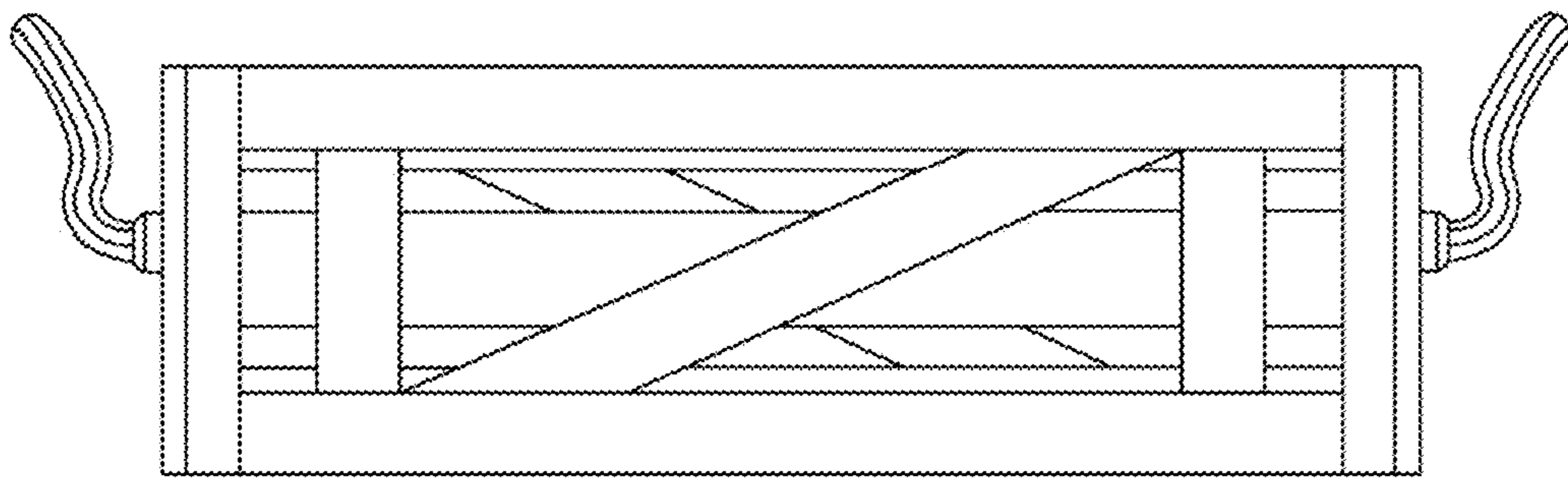


FIG. 1

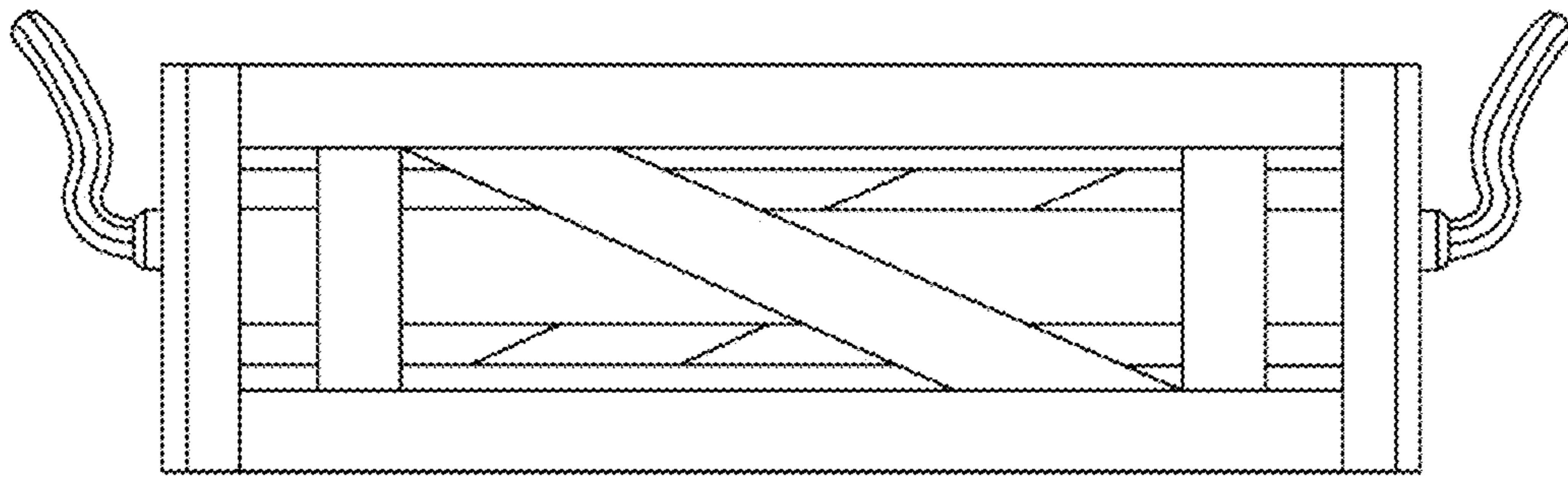


FIG. 2

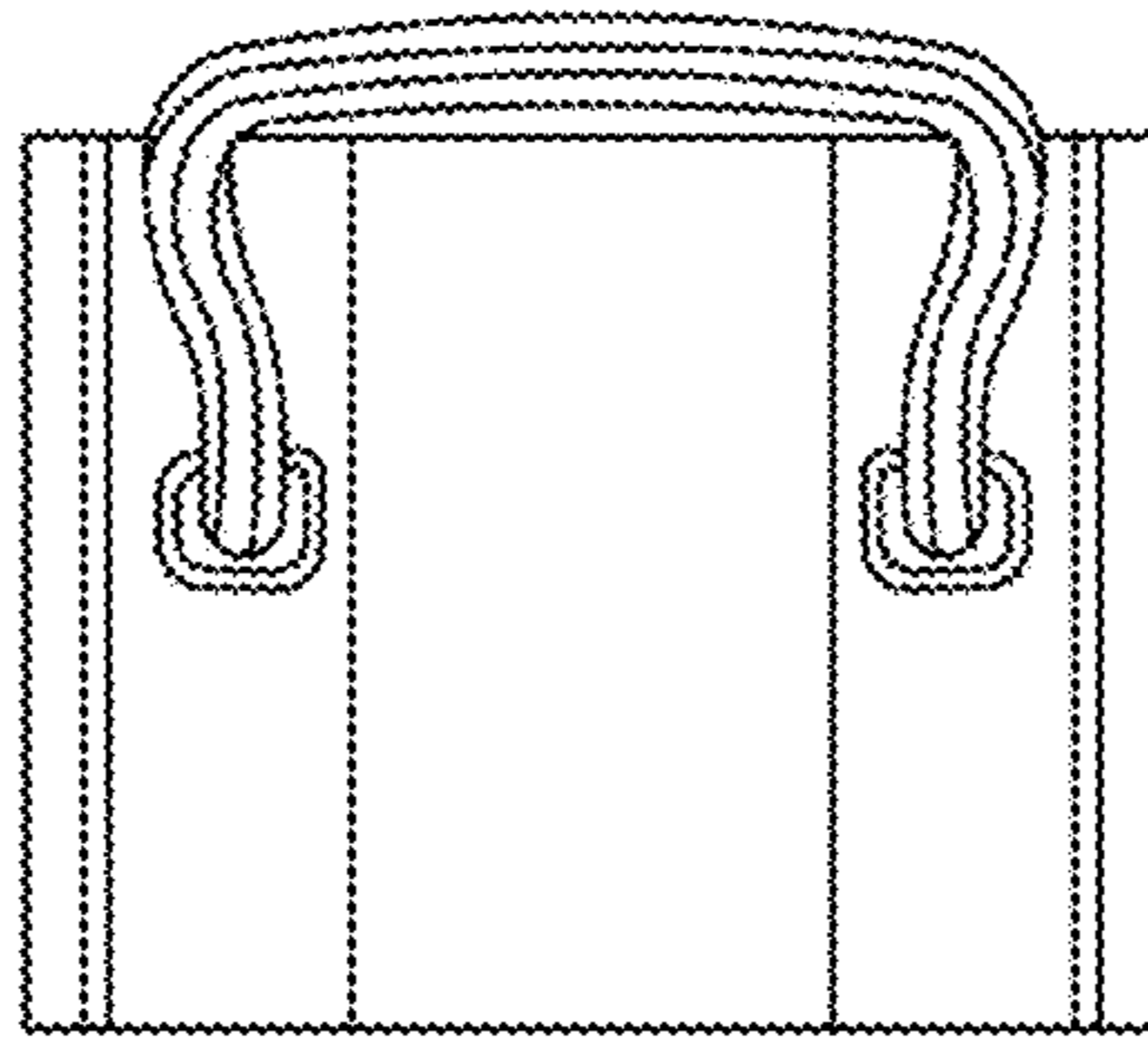


FIG. 3

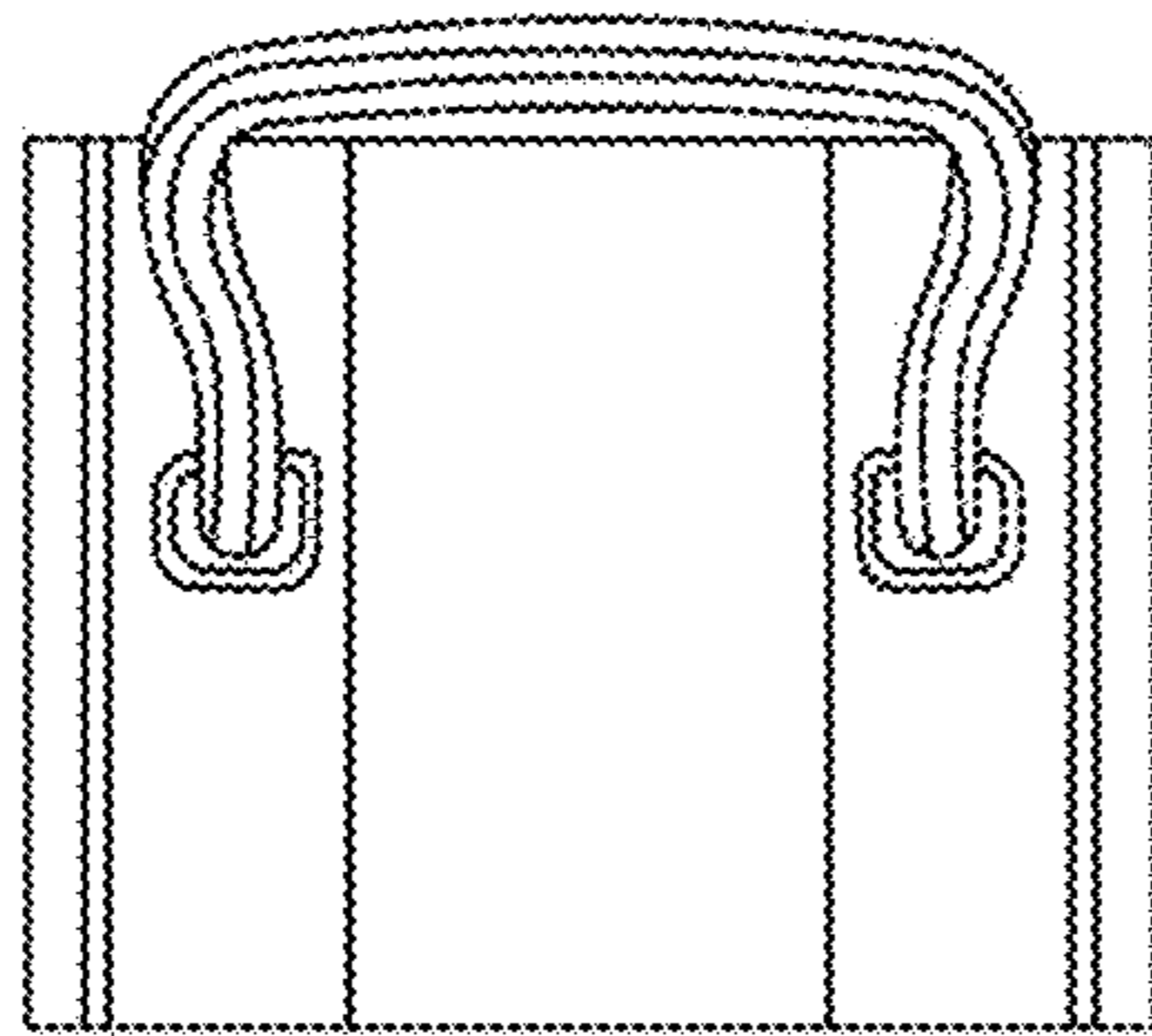


FIG. 4

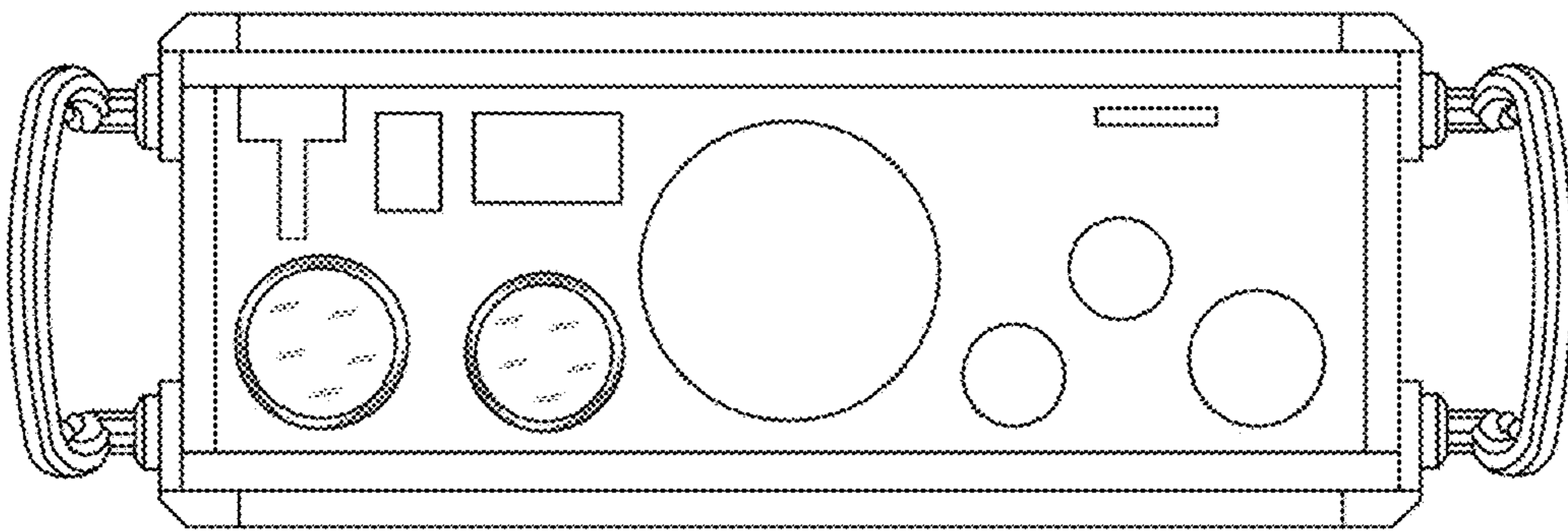


FIG. 5

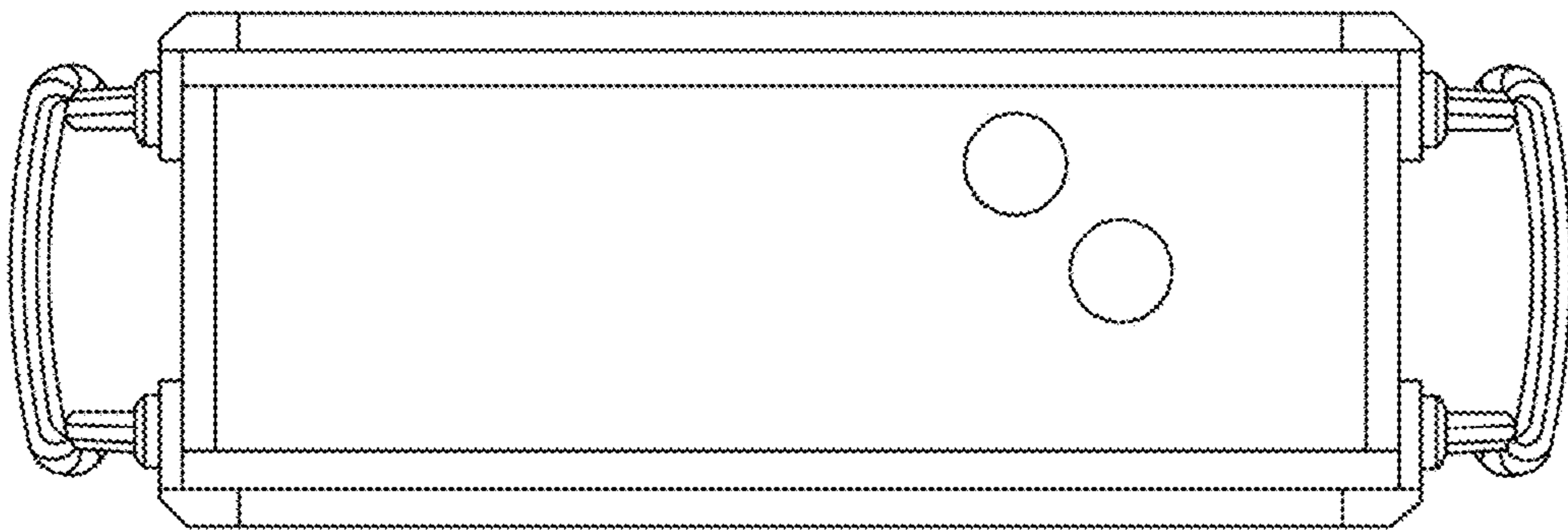


FIG. 6

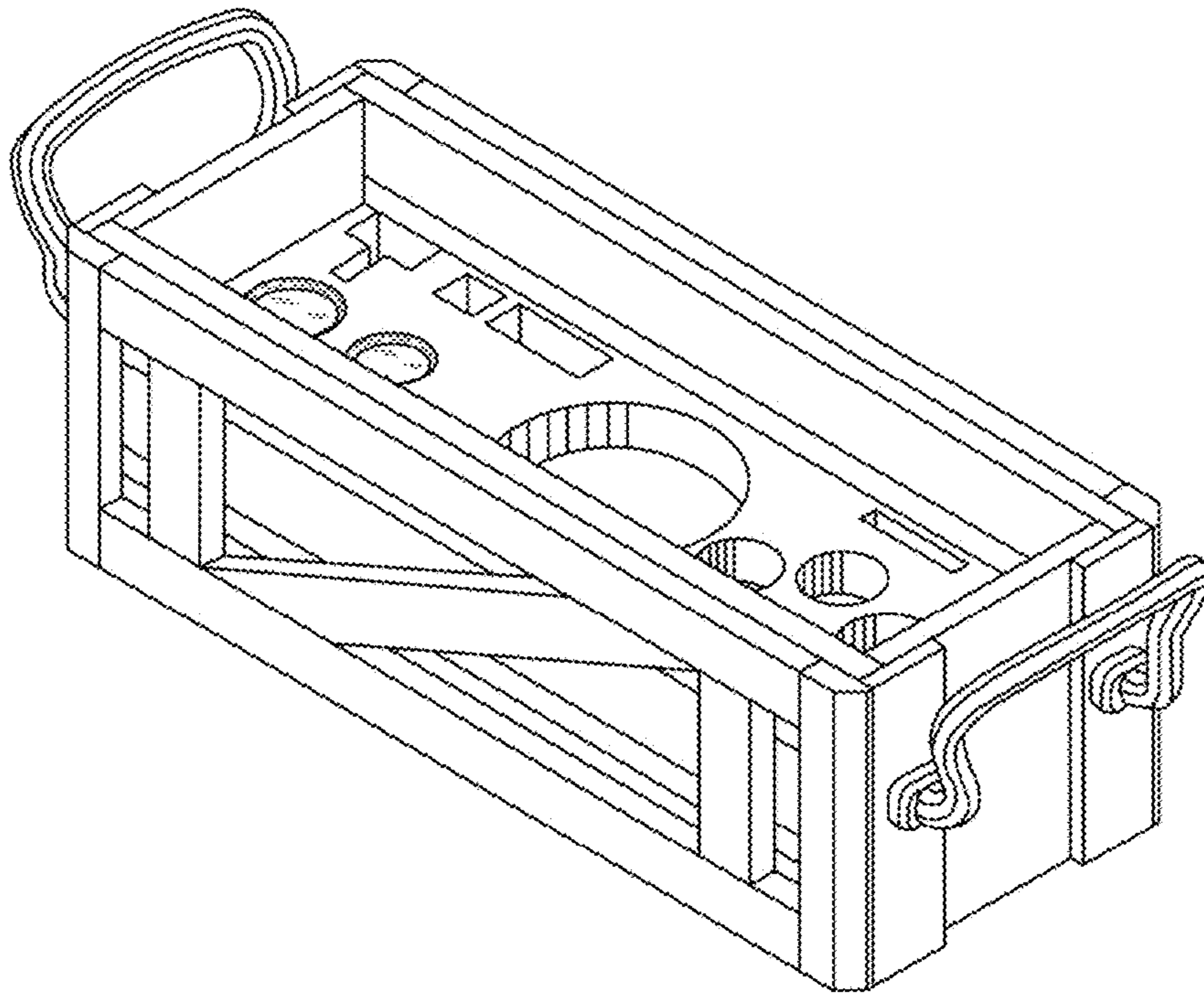


FIG. 7