



US00D942230S

(12) **United States Design Patent** (10) **Patent No.:** **US D942,230 S**
Yao (45) **Date of Patent:** **** Feb. 1, 2022**

(54) **FRUIT AND VEGETABLE BASKET**

(71) Applicant: **Bingyao Yao**, Dongguan (CN)

(72) Inventor: **Bingyao Yao**, Dongguan (CN)

(**) Term: **15 Years**

(21) Appl. No.: **29/779,490**

(22) Filed: **Apr. 19, 2021**

(30) **Foreign Application Priority Data**

Oct. 27, 2020 (CN) 202030641465.1

(51) **LOC (13) Cl.** **07-07**

(52) **U.S. Cl.**
USPC **D7/704**; D3/306; D6/678.4

(58) **Field of Classification Search**
USPC D7/601, 704; D3/304, 306, 313, 314 D;
D6/566, 512, 513, 514, 552, 676.5, 677.5,
D6/678.4, 680.3
CPC A47B 73/00; A47B 73/002; A47F 7/00;
A47F 7/0078; A47F 7/0071; A47F 5/00;
A47F 5/01; A47F 5/14; A47J 47/16;
B65D 7/00; B65D 7/20; B65D 7/26;
B65D 1/34; B65D 1/38

See application file for complete search history.

(56) **References Cited**

U.S. PATENT DOCUMENTS

- 2,916,161 A * 12/1959 Schaefer B65D 21/0215
211/126.2
- D418,998 S * 1/2000 Glassenberg D6/678.1
- D588,840 S * 3/2009 Dretzka D6/525
- D633,755 S 3/2011 Guindi
- D643,685 S * 8/2011 Tiemann D7/600.4
- D766,675 S 9/2016 Schlegel et al.
- D803,015 S 11/2017 Farrell et al.
- D814,189 S * 4/2018 Nimgulkar D3/306

- D849,480 S * 5/2019 Goodman D7/500
- 2006/0032829 A1 * 2/2006 Hutzler A47B 55/02
211/187
- 2009/0045201 A1 * 2/2009 Cheng B65D 7/20
220/494

OTHER PUBLICATIONS

Amazon.com, 3 Tier Wire Basket Stackable Fruit Vegetable Storage Basket, p. 1-13, ASIN: B08V8Y36M9, first date available Jan. 28, 2021. (Year: 2021).*

Amazon.com, JJsparre, Wire Baskets for Organizing and Storage, p. 1-8, ASIN: B08C21BFHB, first date available Jun. 29, 2020. (Year: 2020).*

Amazon.com, AIYAKA3 Tier Stackable Fruit Basket Vegetable Storage Cart, p. 1-10, ASIN: B091HZS9YX, first date available Apr. 1, 2021. (Year: 2021).*

Amazon.com, Fruit Basket, 1 EasyLife 3 Tier Stackable Metal Wire Basket Cart, p. 1-10, ASIN: B08XZ44LM6, date first available Mar. 4, 2021. (Year: 2021).*

Amazon.com, SANNO 14" Large Stackable Baskets, Metal Wire Baskets, Storage Organizer, p. 1-10, ASIN: B08NVL4H27, first date available Nov. 19, 2020. (Year: 2020).*

* cited by examiner

Primary Examiner — Terry A Wallace

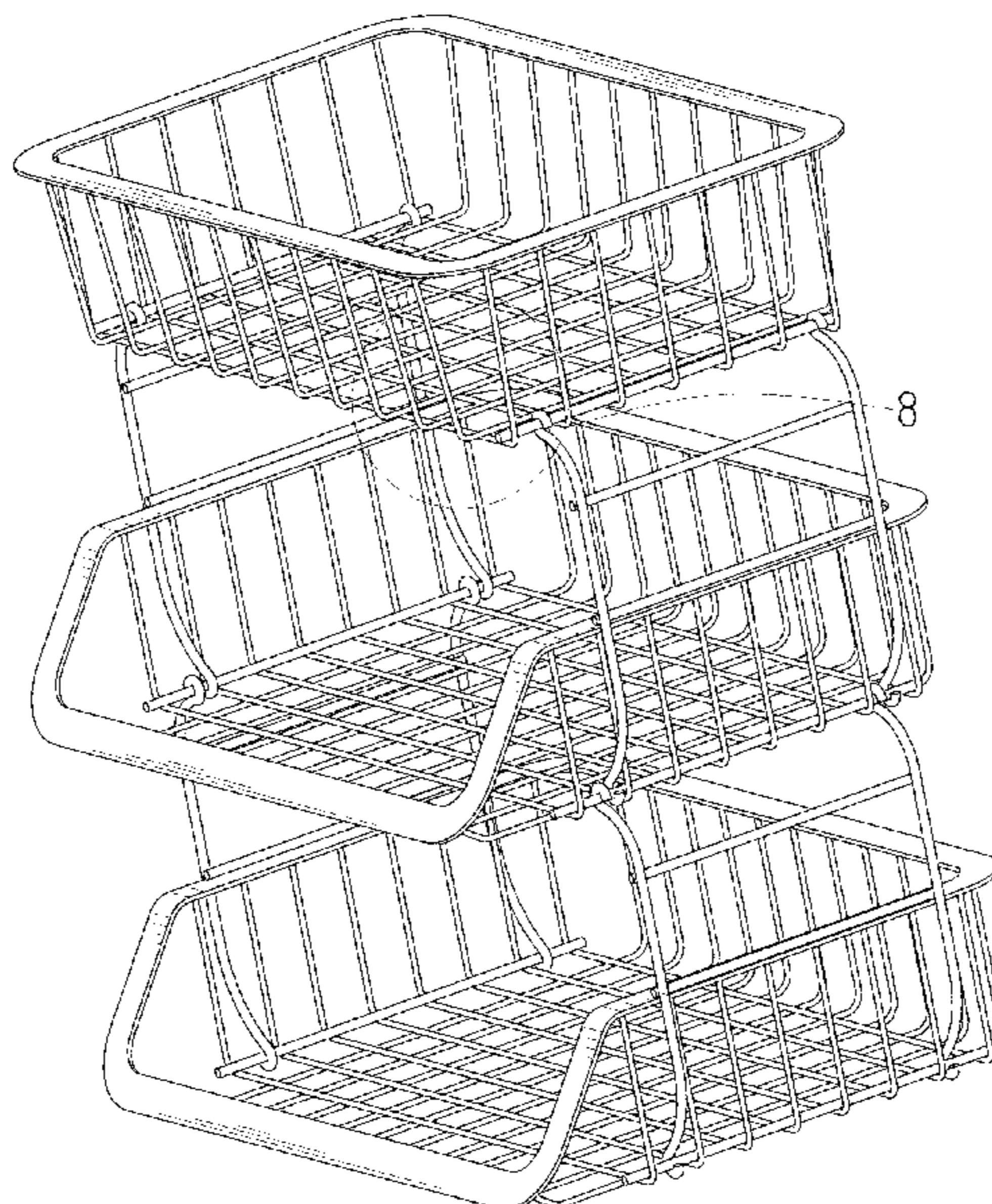
(57) **CLAIM**

The ornamental design for a fruit and vegetable basket, as shown and described.

DESCRIPTION

FIG. 1 is a perspective view of a fruit and vegetable basket showing my new design;
FIG. 2 is a front view thereof;
FIG. 3 is a back view thereof;
FIG. 4 is a left side view thereof;
FIG. 5 is a right side view thereof;
FIG. 6 is a top view thereof;
FIG. 7 is a bottom view thereof; and,
FIG. 8 is an enlarged view of the selected portion in FIG. 1.

1 Claim, 8 Drawing Sheets



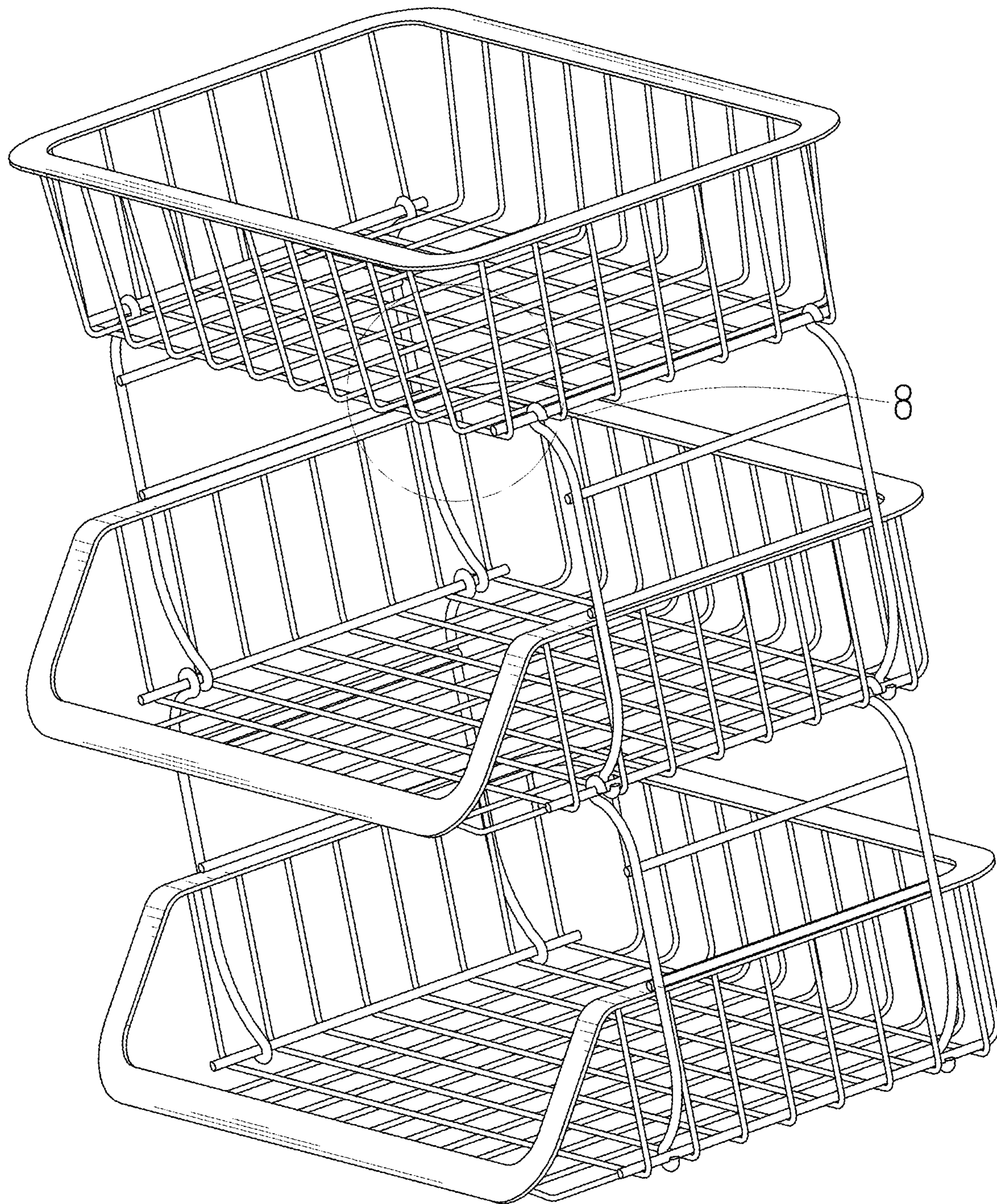


FIG. 1

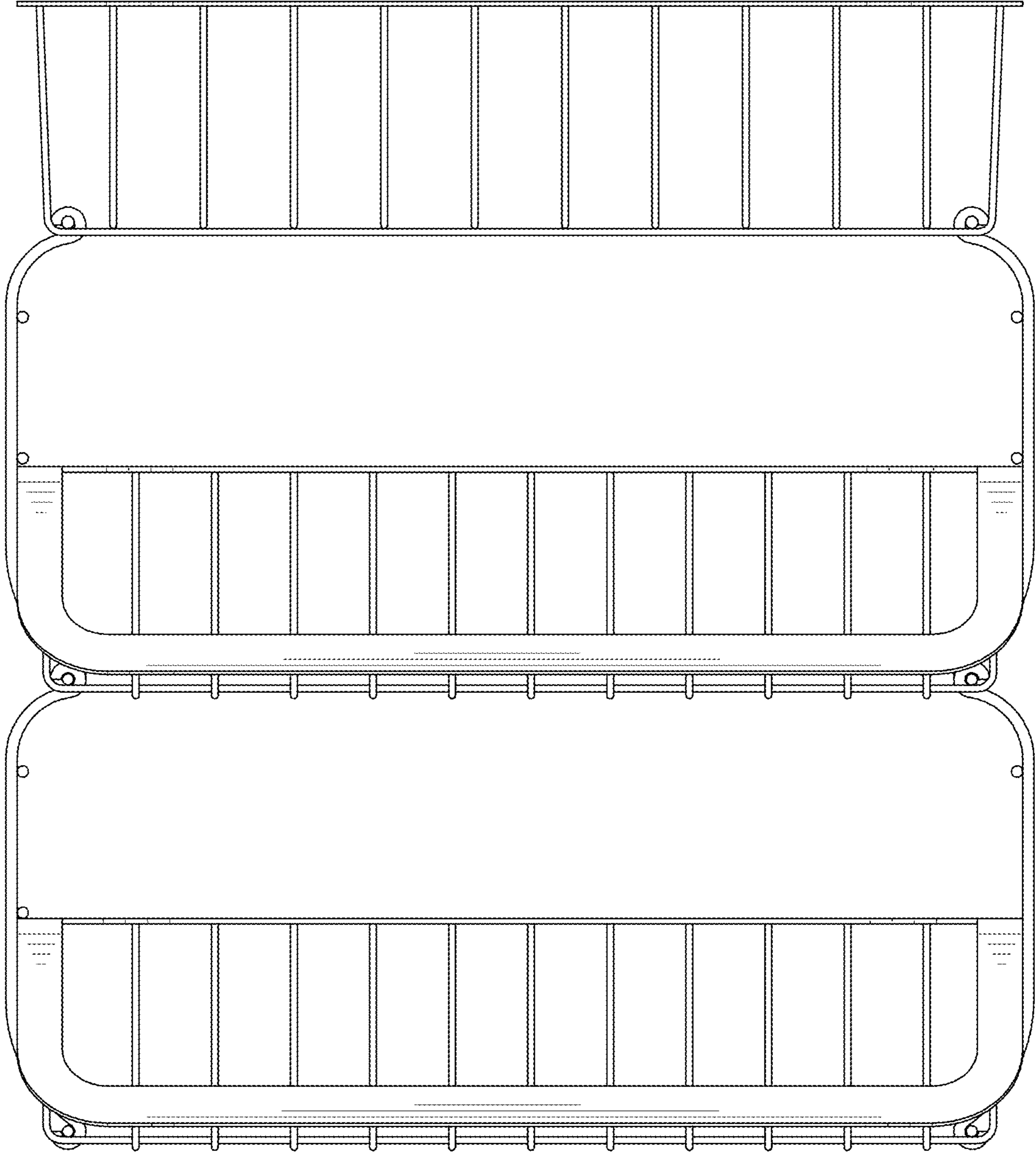


FIG. 2

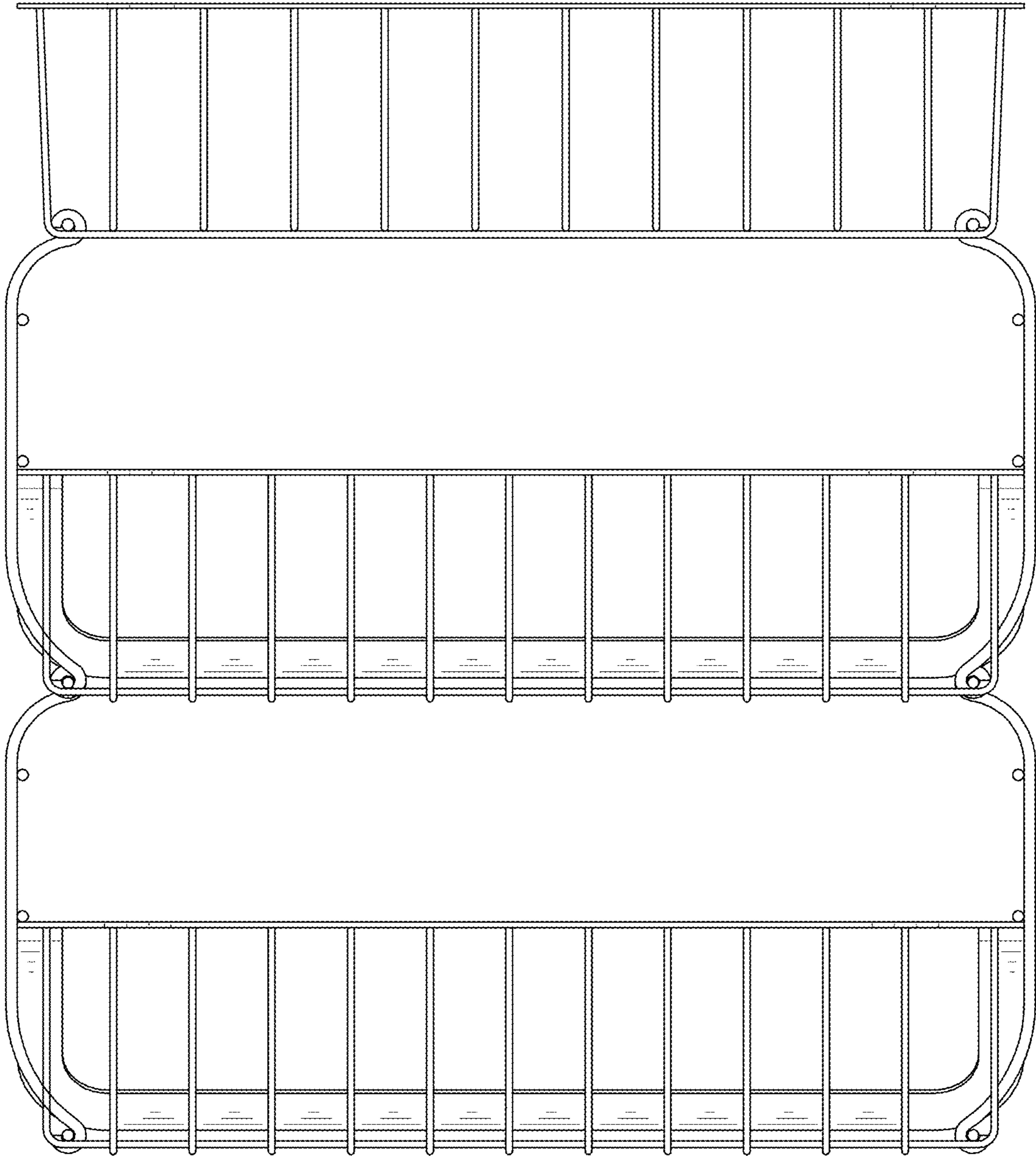


FIG. 3

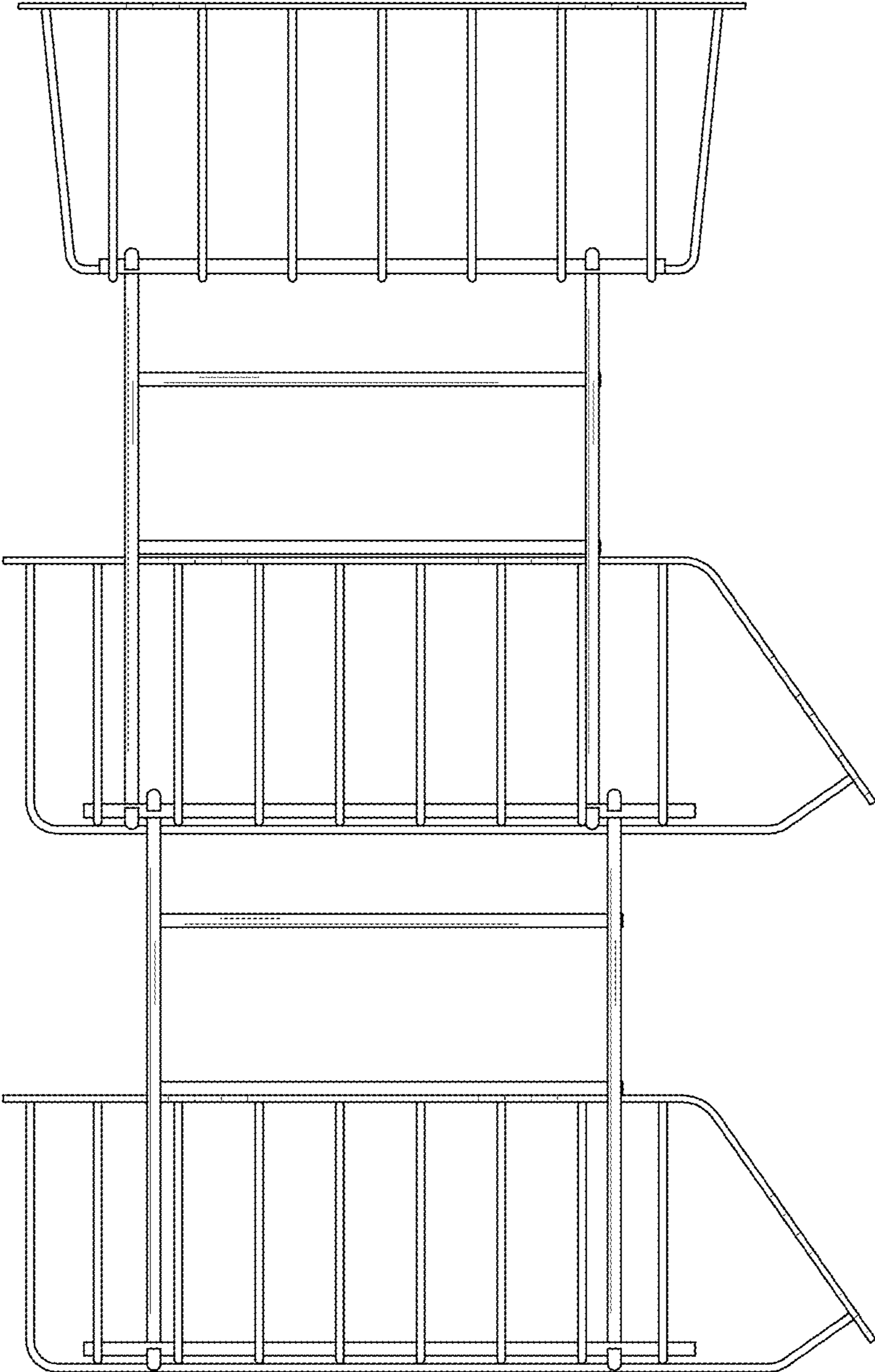


FIG. 4

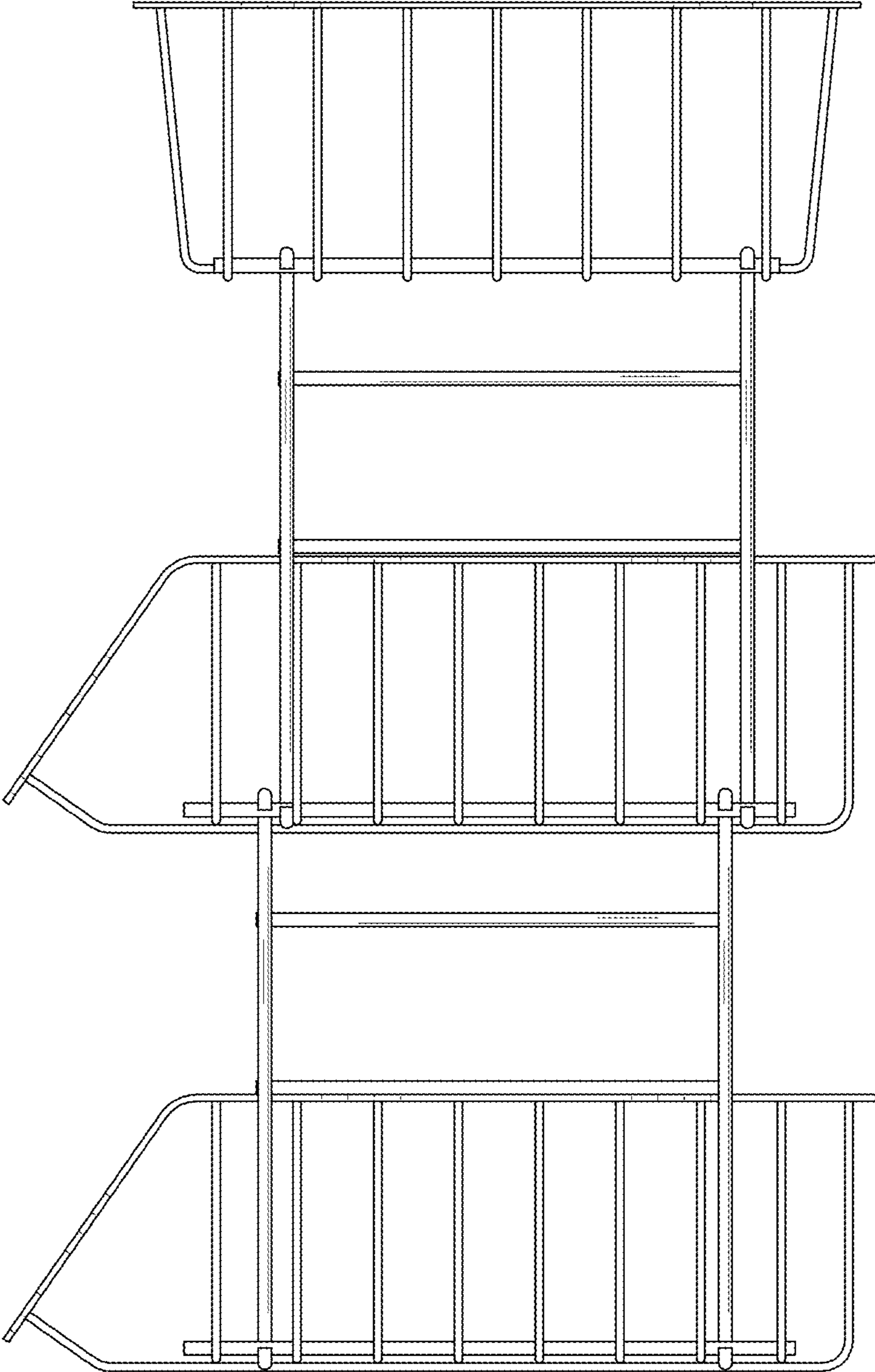


FIG. 5

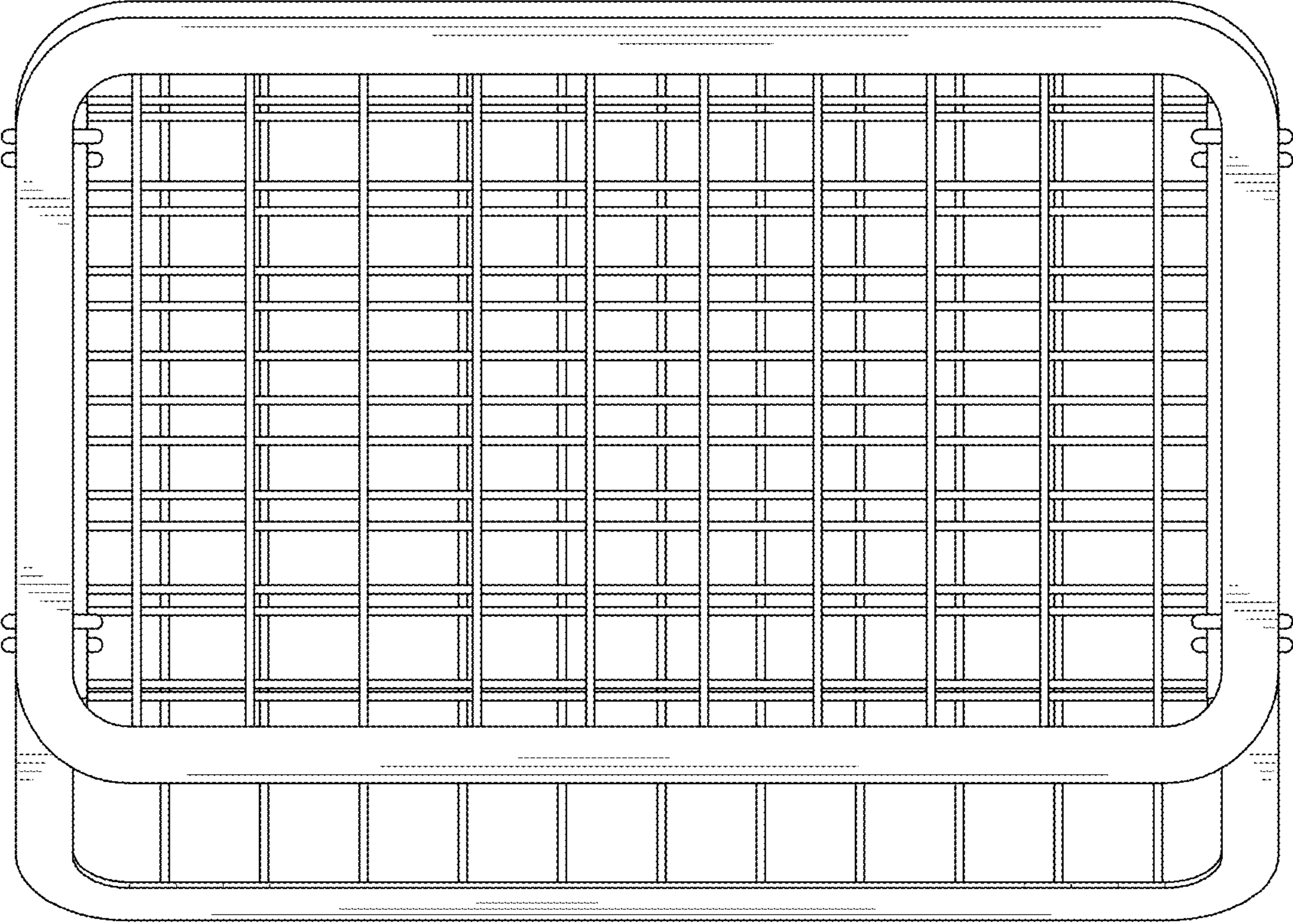


FIG. 6

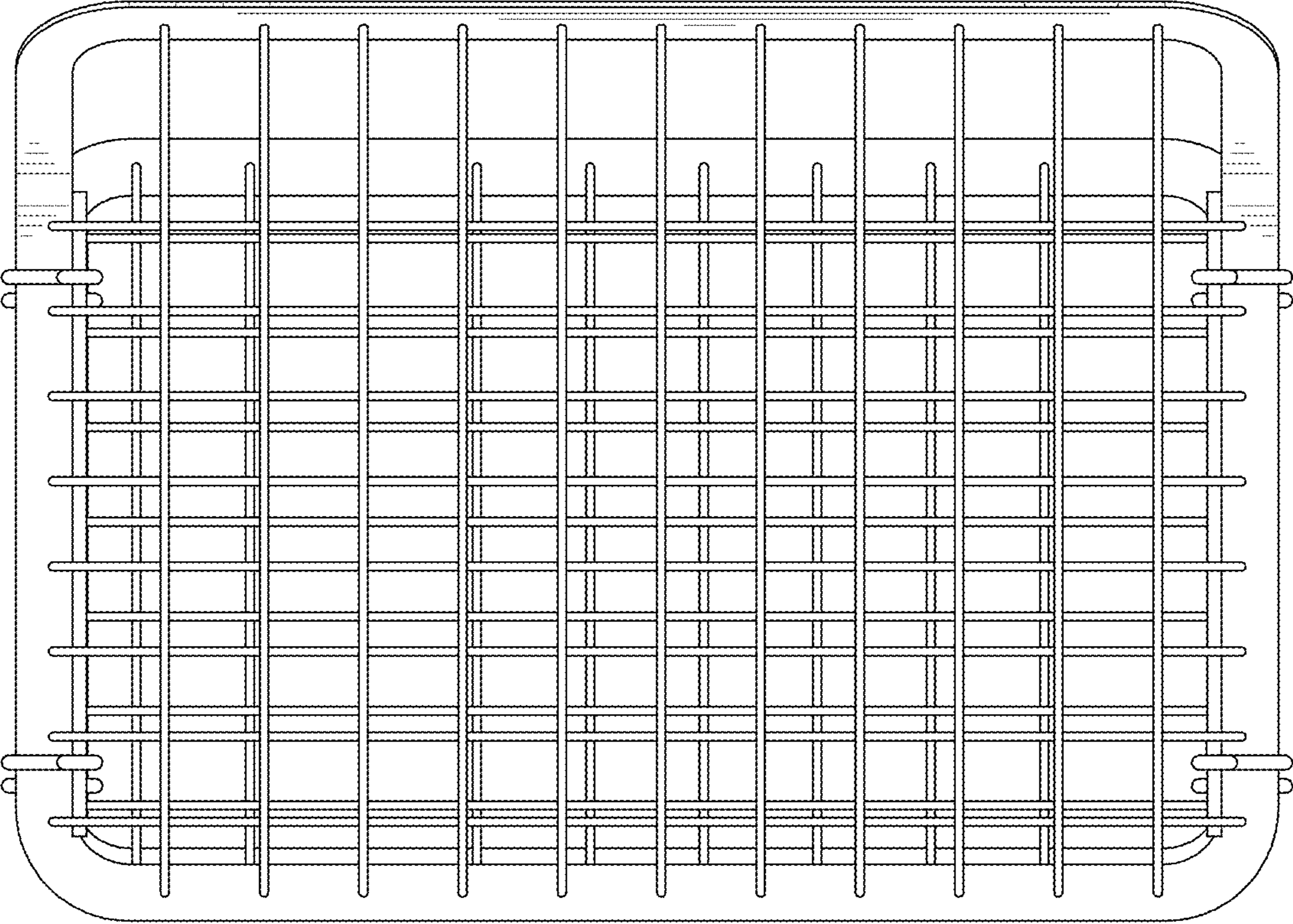


FIG. 7

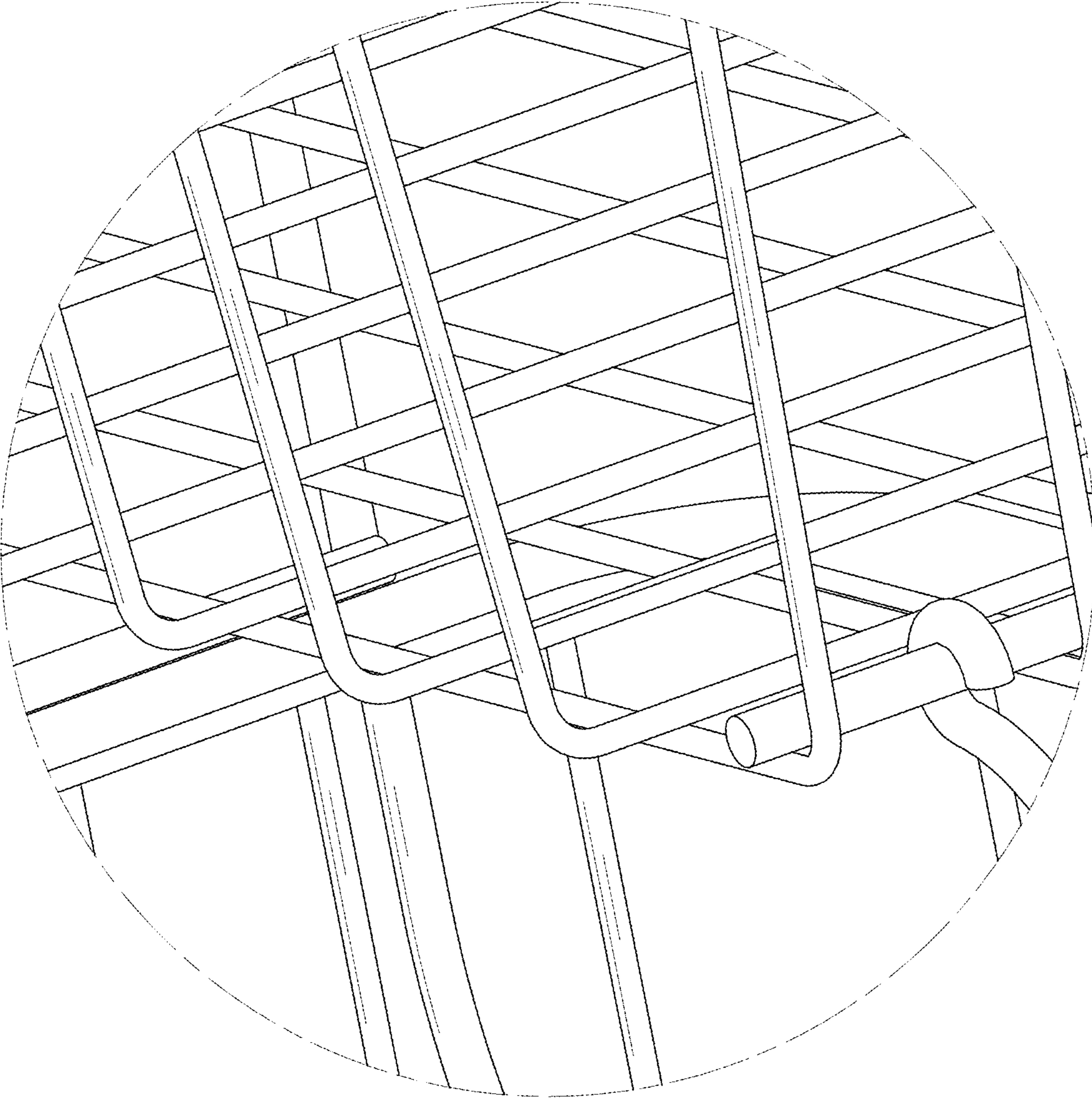


FIG. 8